



US00D446662B1

(12) **United States Design Patent**  
**Haas**

(10) **Patent No.:** **US D446,662 S**

(45) **Date of Patent:** **\*\* Aug. 21, 2001**

(54) **CHAIR**

(75) Inventor: **Tom Haas, Rottendam (NL)**

(73) Assignee: **Giroflex Entwicklungs AG, Koblenz (CH)**

(\*\*) Term: **14 Years**

(21) Appl. No.: **29/133,067**

(22) Filed: **Nov. 22, 2000**

(30) **Foreign Application Priority Data**

May 25, 2000 (XH) ..... DM/052 344

(51) **LOC (7) Cl.** ..... **06-01**

(52) **U.S. Cl.** ..... **D6/373; D6/380**

(58) **Field of Search** ..... D6/334, 371, 373, D6/374, 379, 380, 500, 501, 502; 297/448.1

(56) **References Cited**

**U.S. PATENT DOCUMENTS**

- D. 235,711 \* 7/1975 Acton ..... D6/373
- D. 243,425 \* 2/1977 Gibson ..... D6/373

- D. 256,409 \* 8/1980 Wilson ..... D6/373
- D. 317,381 \* 6/1991 Fulcheri ..... D6/373
- D. 328,984 \* 9/1992 Marini ..... D6/373
- D. 351,743 \* 10/1994 Locher ..... D6/373
- D. 396,570 \* 8/1998 Lohmeyer ..... D6/380
- 3,847,433 \* 11/1974 Acton et al. .... D6/373 X

\* cited by examiner

*Primary Examiner*—Gary D. Watson

(74) *Attorney, Agent, or Firm*—Greenblum & Bernstein, P.L.C.

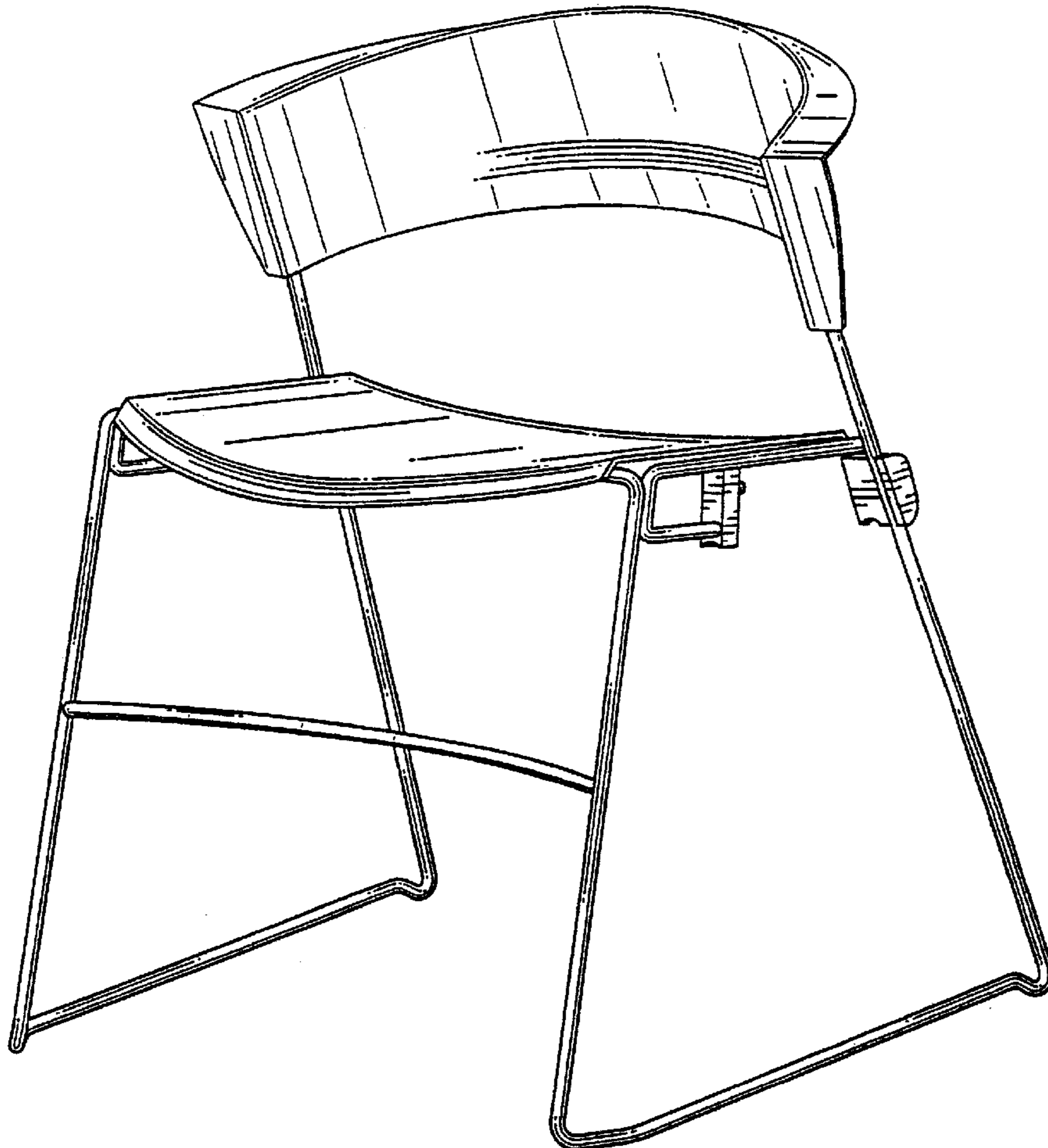
(57) **CLAIM**

The ornamental design for a chair, as shown and described.

**DESCRIPTION**

- FIG. 1 is a front perspective view of a chair;
- FIG. 2 is a front view thereof;
- FIG. 3 is a rear view thereof;
- FIG. 4 is a left side view thereof;
- FIG. 5 is a top view thereof; and,
- FIG. 6 is a bottom plan view thereof.

**1 Claim, 6 Drawing Sheets**



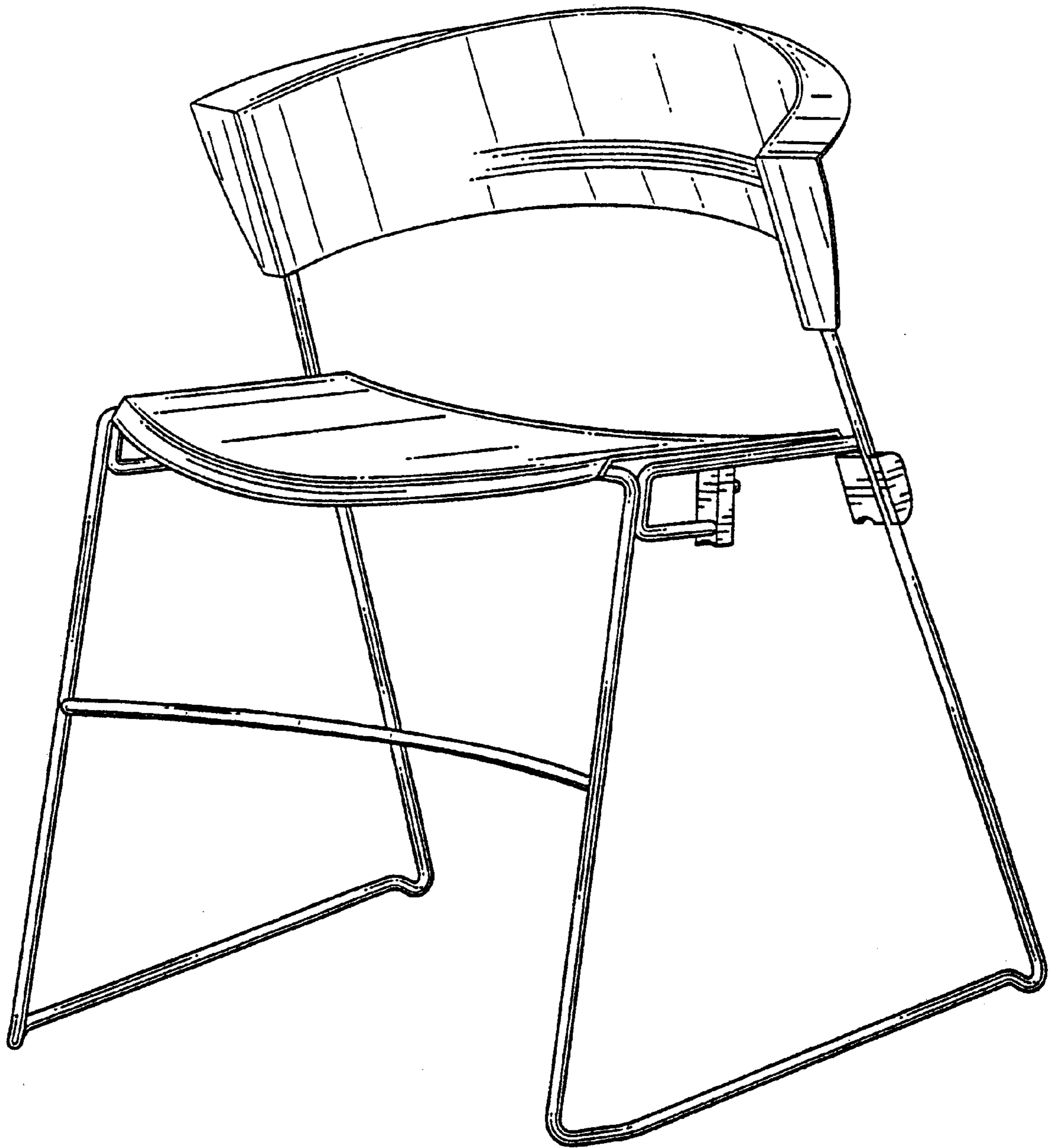


FIG. 1

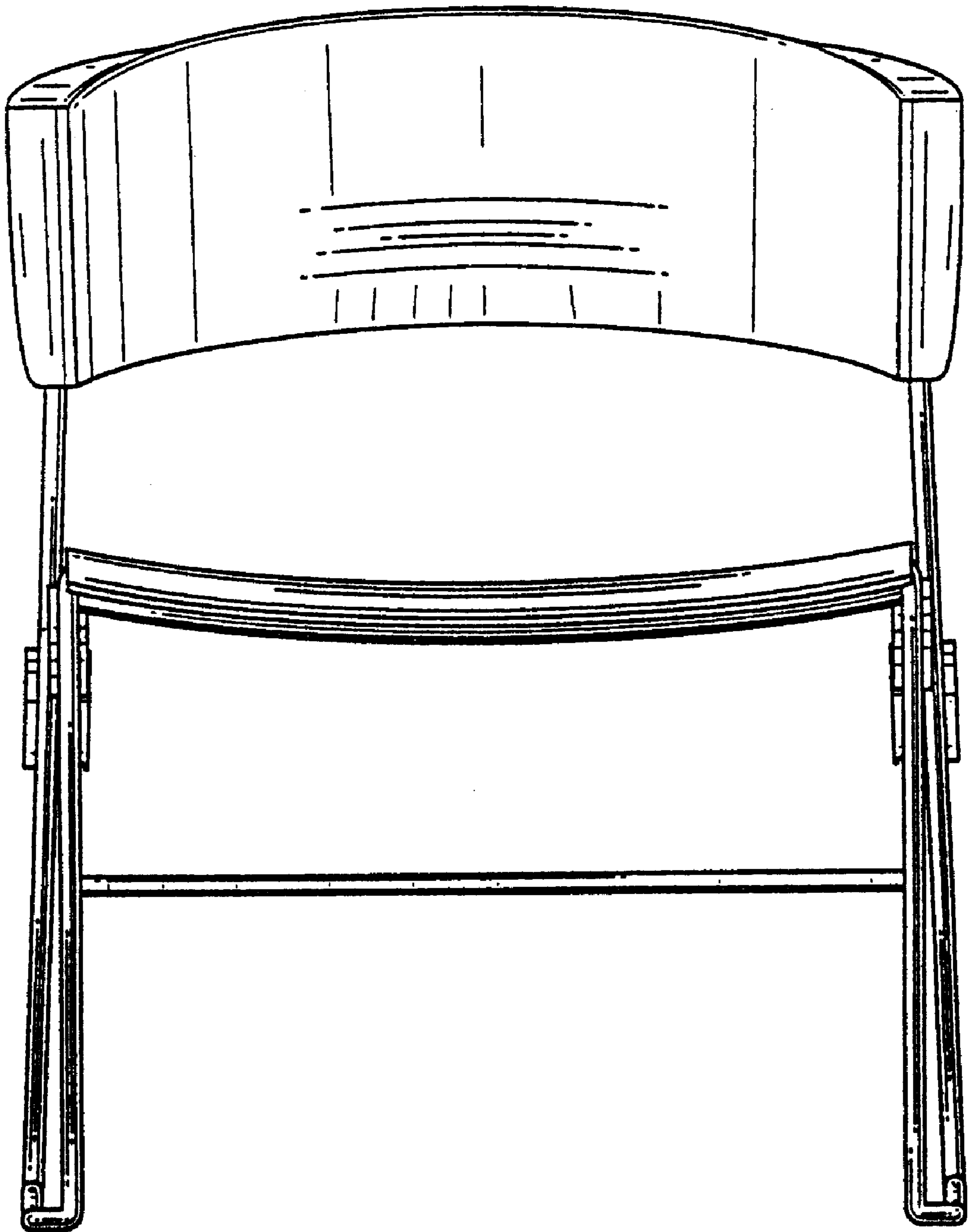


FIG. 2

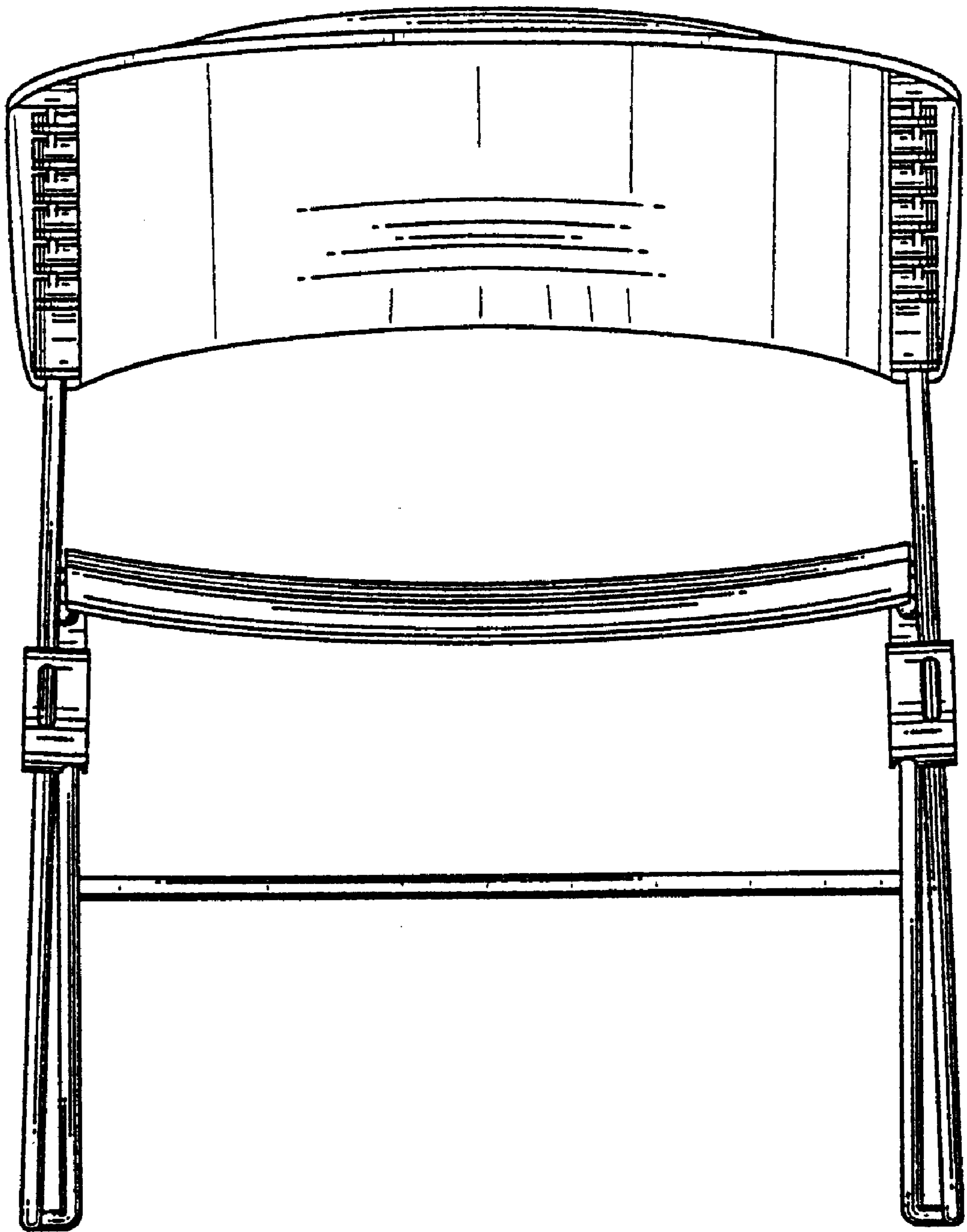


FIG. 3

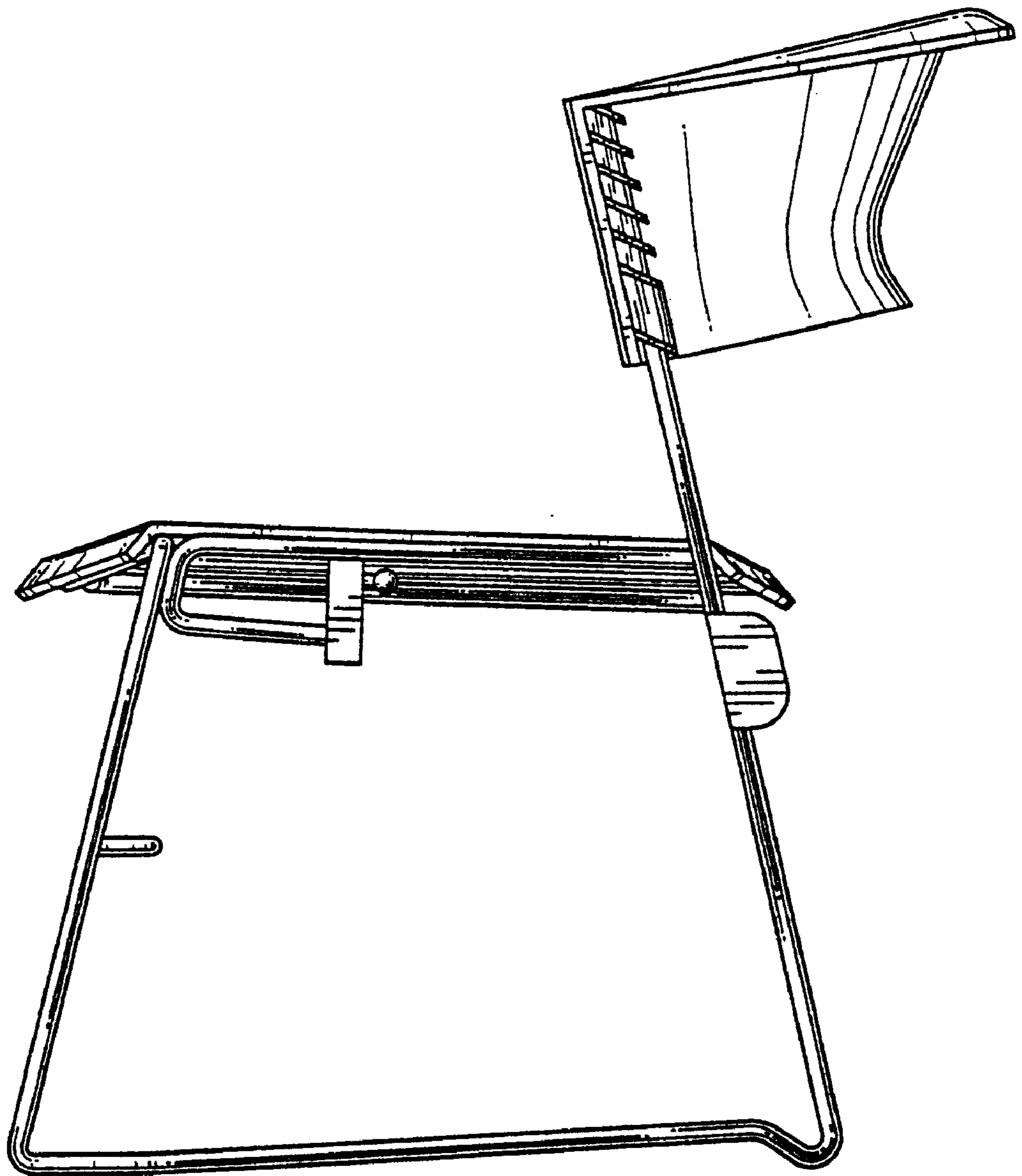


FIG. 4

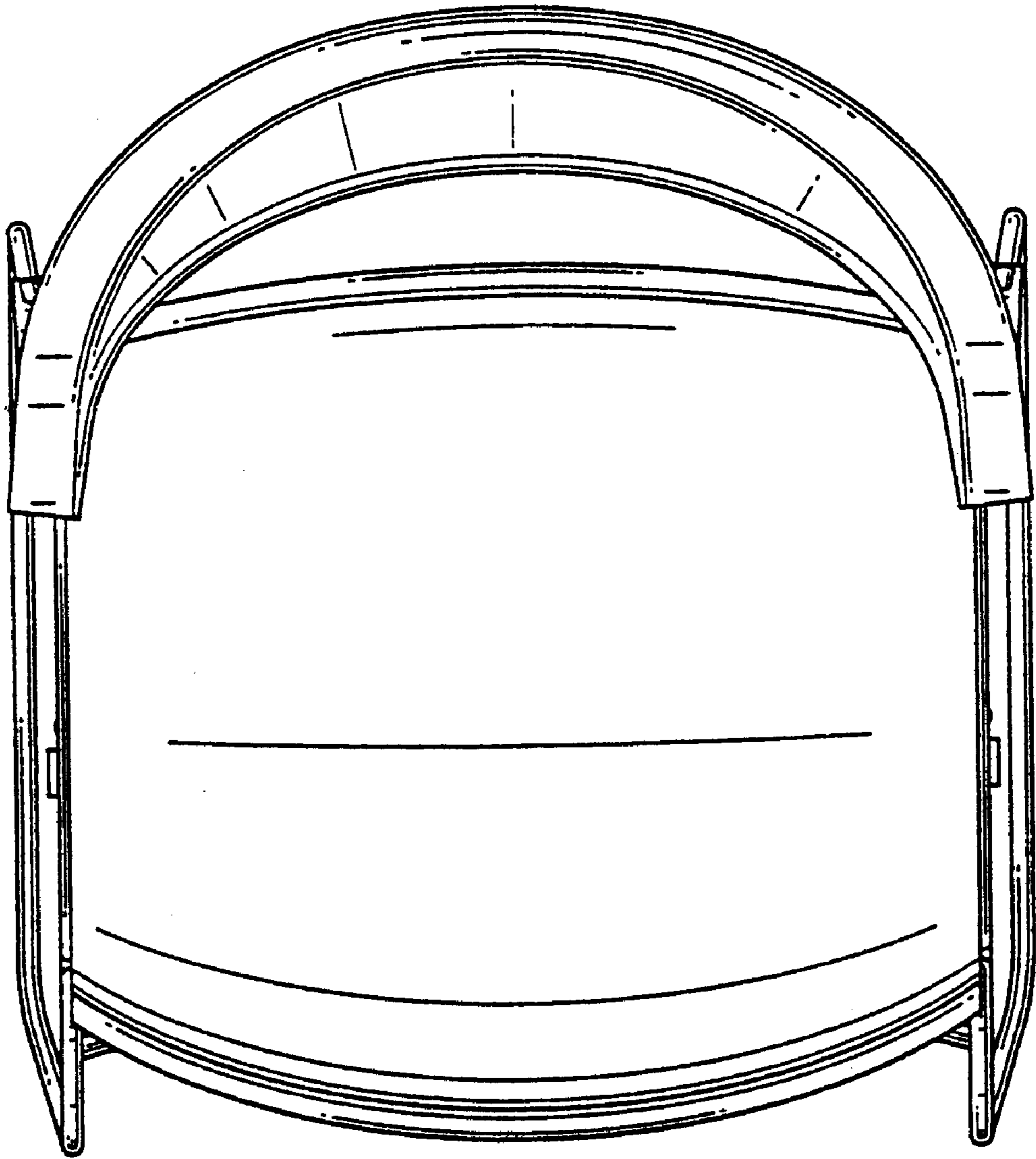


FIG. 5

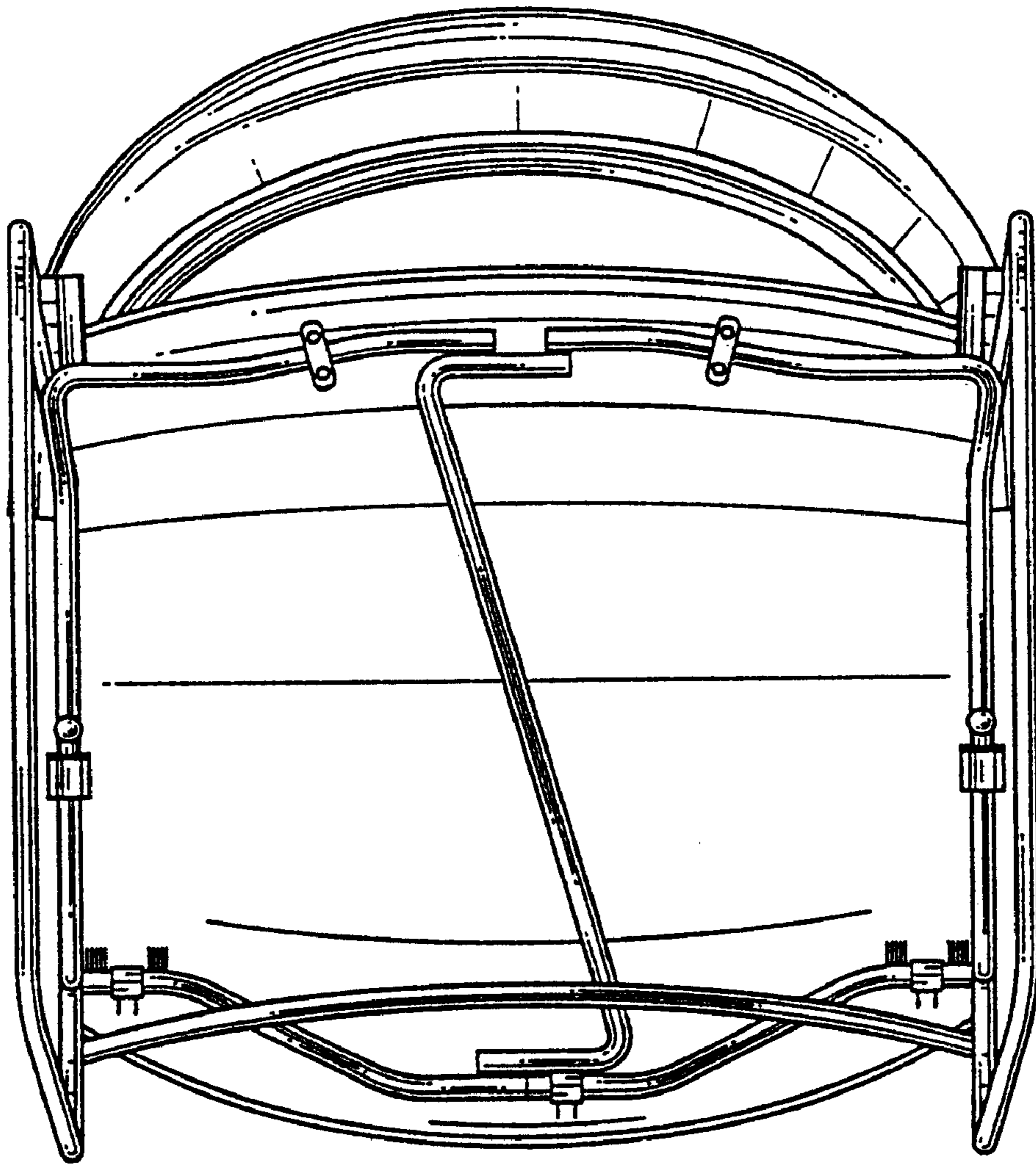


FIG. 6