



US00D446661B1

(12) **United States Design Patent**
Ambasz

(10) **Patent No.:** **US D446,661 S**

(45) **Date of Patent:** **** Aug. 21, 2001**

(54) **CHAIR**

(75) Inventor: **Emilio Ambasz**, Buenos Aires (AR)

(73) Assignee: **Vitra Patente AG**, MuttENZ (CH)

(**) Term: **14 Years**

(21) Appl. No.: **29/129,665**

(22) Filed: **Sep. 19, 2000**

Related U.S. Application Data

(62) Division of application No. 29/103,634, filed on Apr. 19, 1999, now Pat. No. Des. 436,457.

(30) **Foreign Application Priority Data**

Oct. 20, 1998 (XH) DM/045 526

(51) **LOC (7) Cl.** **06-01**

(52) **U.S. Cl.** **D6/368**

(58) **Field of Search** D6/334, 335, 336,
D6/368, 374, 376, 379, 380, 500-502;
297/35, 38, 40, 41, 55, 56, 57, 58, 452.1,
411.2

(56) **References Cited**

U.S. PATENT DOCUMENTS

D. 214,267 * 5/1969 Moore et al. D6/368
D. 418,322 * 1/2000 Hock D6/368

1,707,769 4/1929 Rastetter .
1,740,806 12/1929 Clarin .
1,838,212 12/1931 Buffington .
1,838,213 12/1931 Buffington .
2,701,007 2/1955 Hickok .
2,709,482 5/1955 Schlaak .
3,025,100 3/1962 Morgan .
3,695,687 10/1972 Uyeda .
5,524,966 6/1996 Piretti .

* cited by examiner

Primary Examiner—Doris V. Coles

Assistant Examiner—Mimosa De

(74) *Attorney, Agent, or Firm*—Selitto, Behr & Kim

(57) **CLAIM**

The ornamental design for a chair, as shown.

DESCRIPTION

FIG. 1 is a front perspective view of a chair showing my new design;

FIG. 2 is a front perspective view showing the chair in its closed position;

FIG. 3 is a front elevational view thereof;

FIG. 4 is a rear elevational view thereof;

FIG. 5 is a left side elevational view thereof;

FIG. 6 is a right side elevational view thereof;

FIG. 7 is a top plan view thereof; and,

FIG. 8 is a bottom plan view thereof.

1 Claim, 4 Drawing Sheets

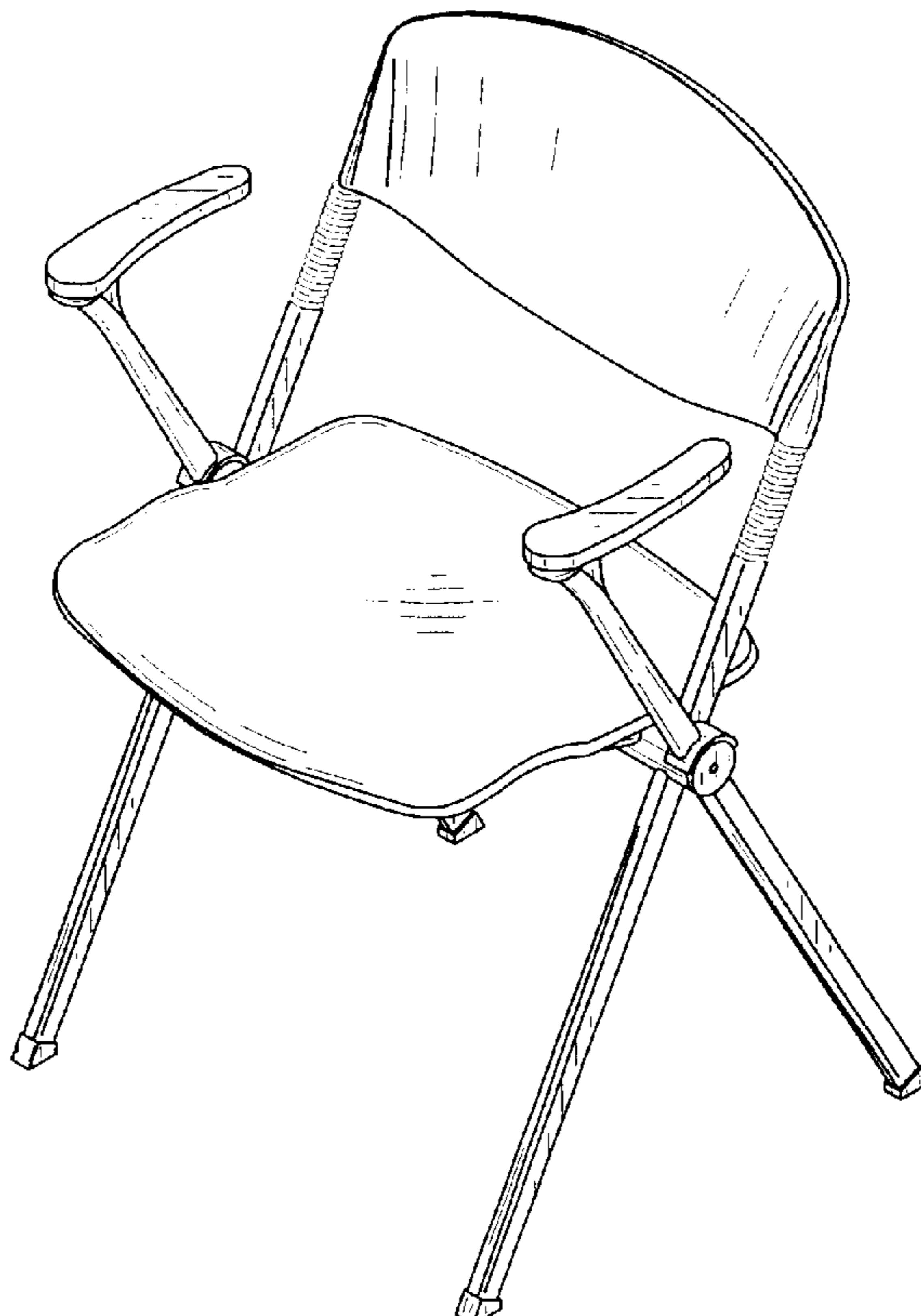


FIG. 1

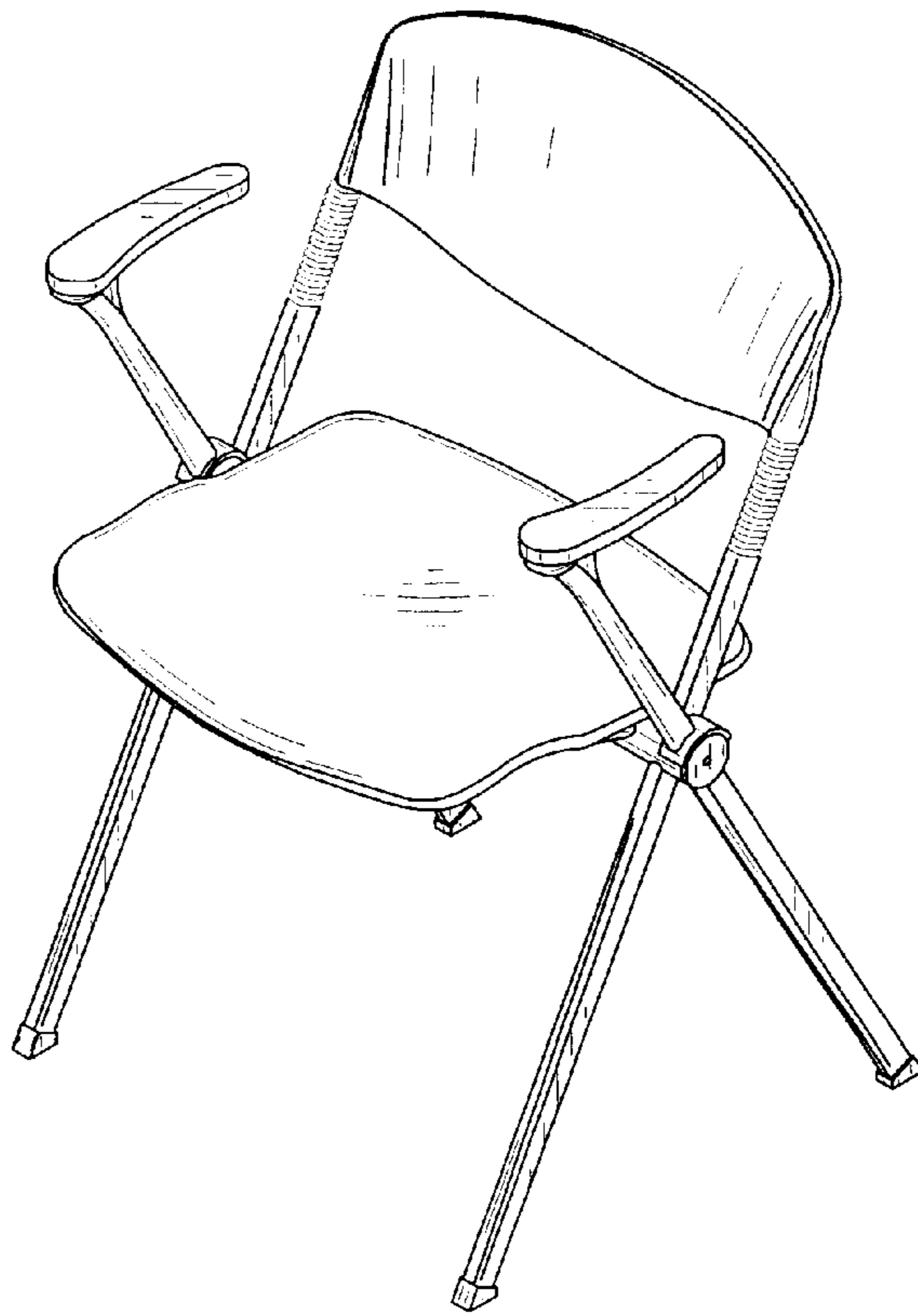


FIG. 2

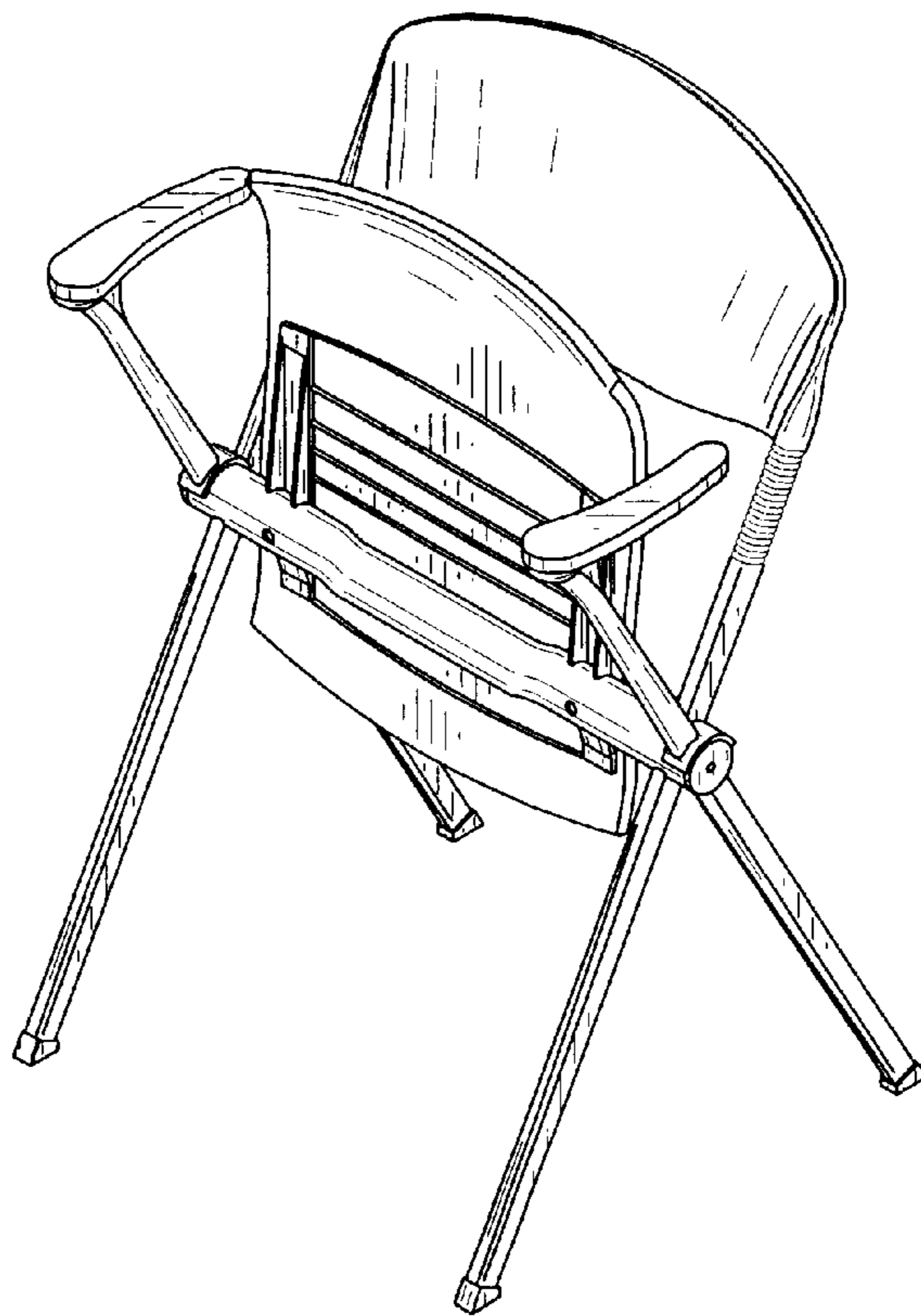


FIG. 3

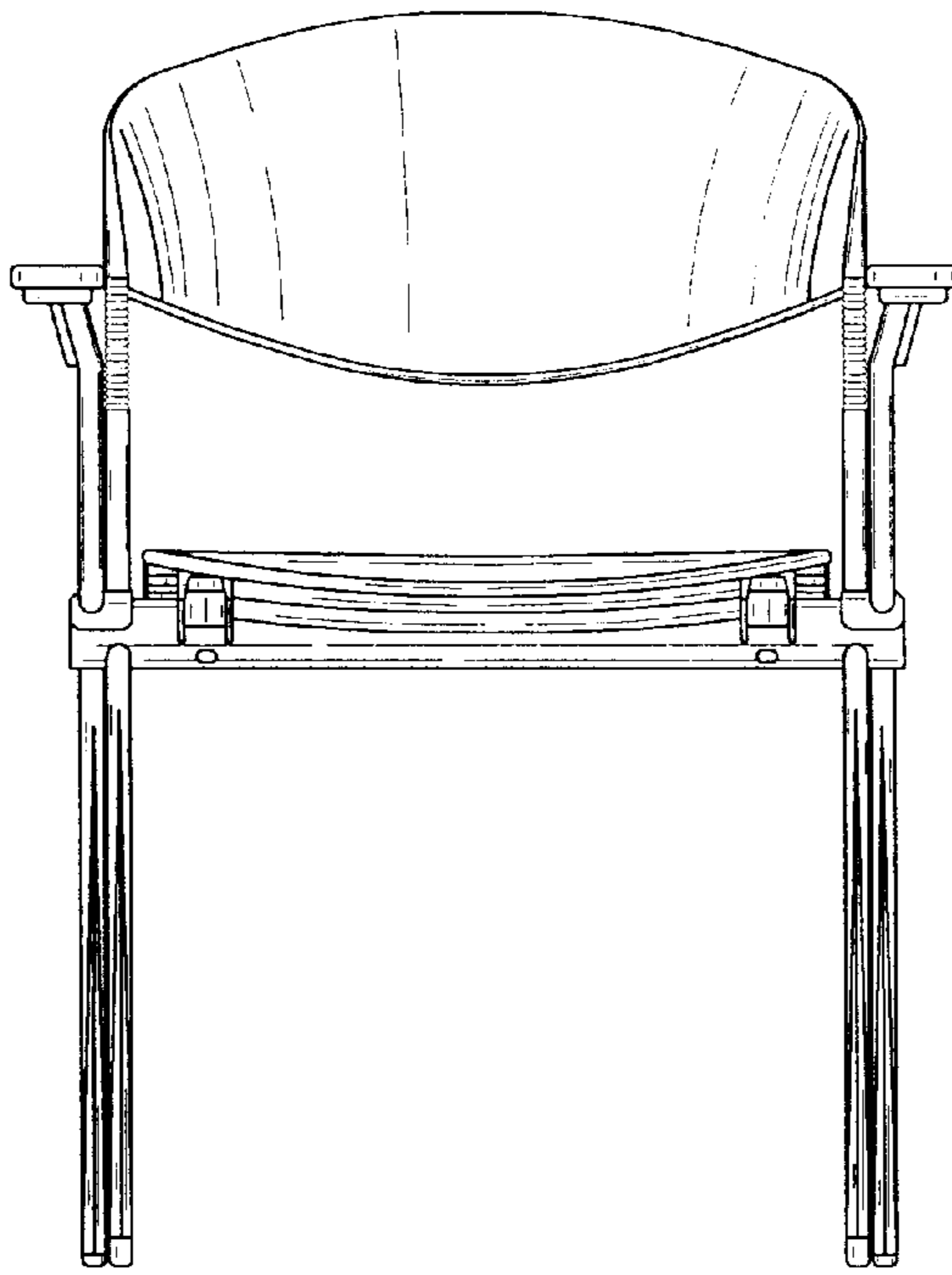


FIG. 4

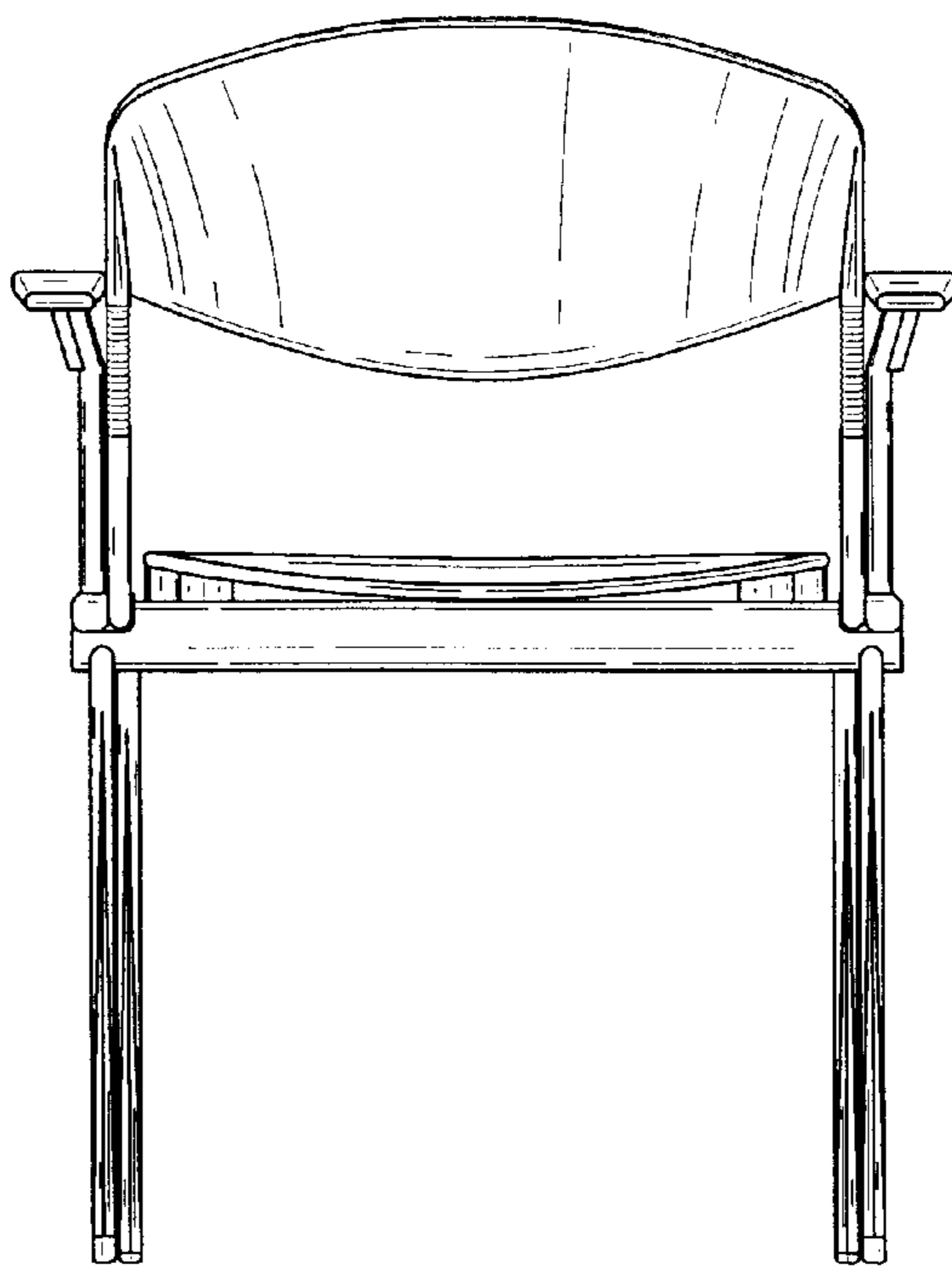


FIG. 5

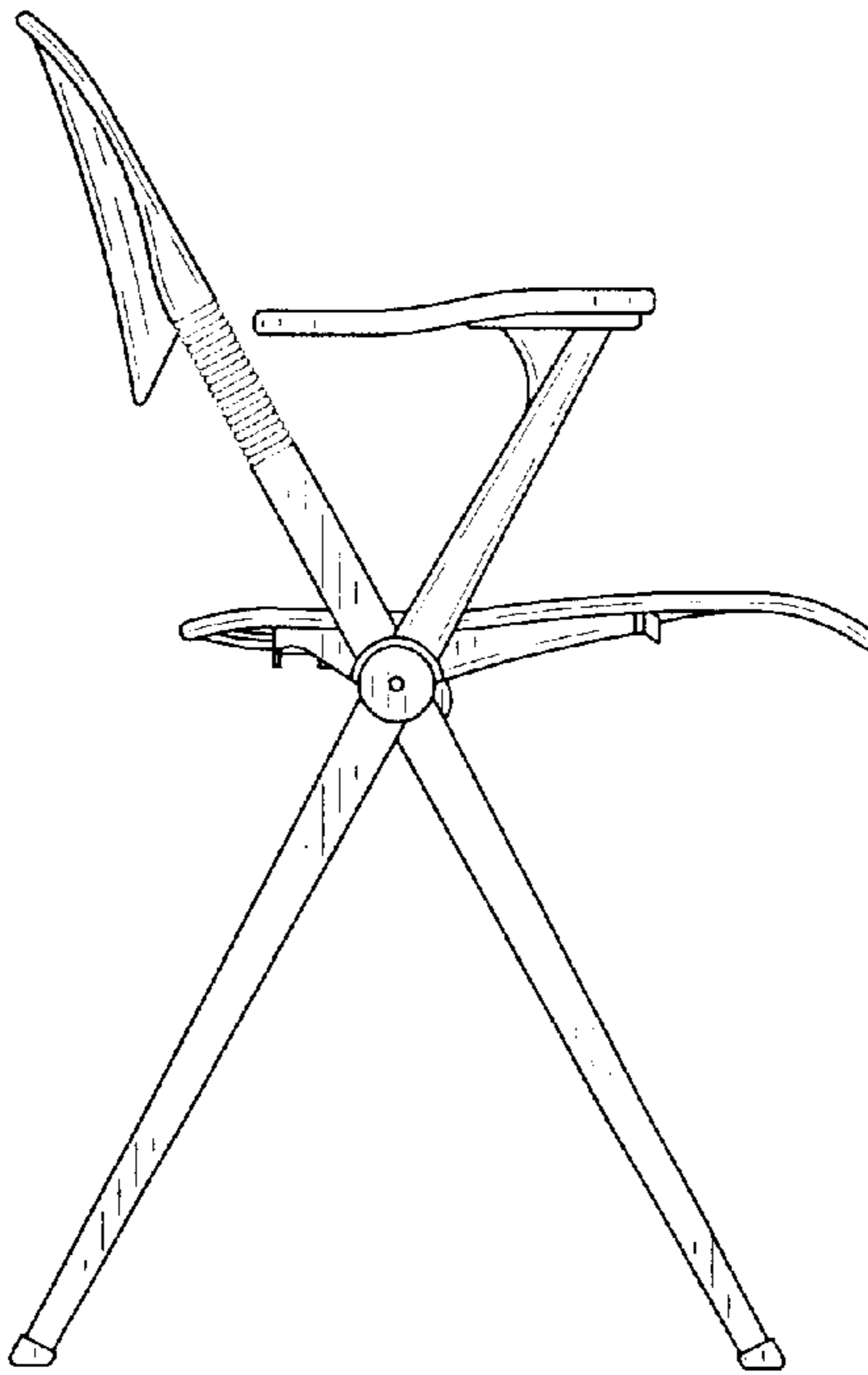


FIG. 6

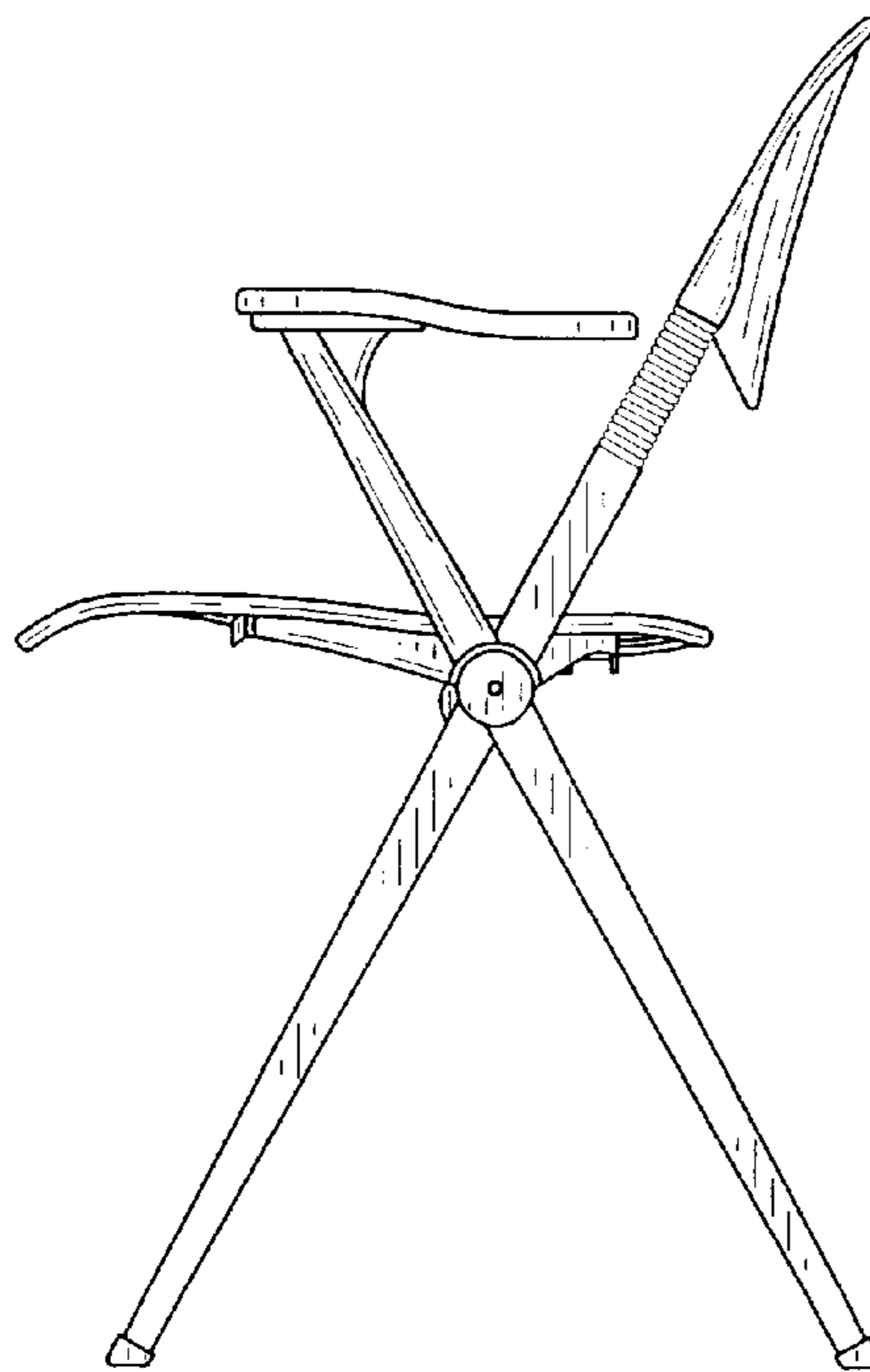


FIG. 7

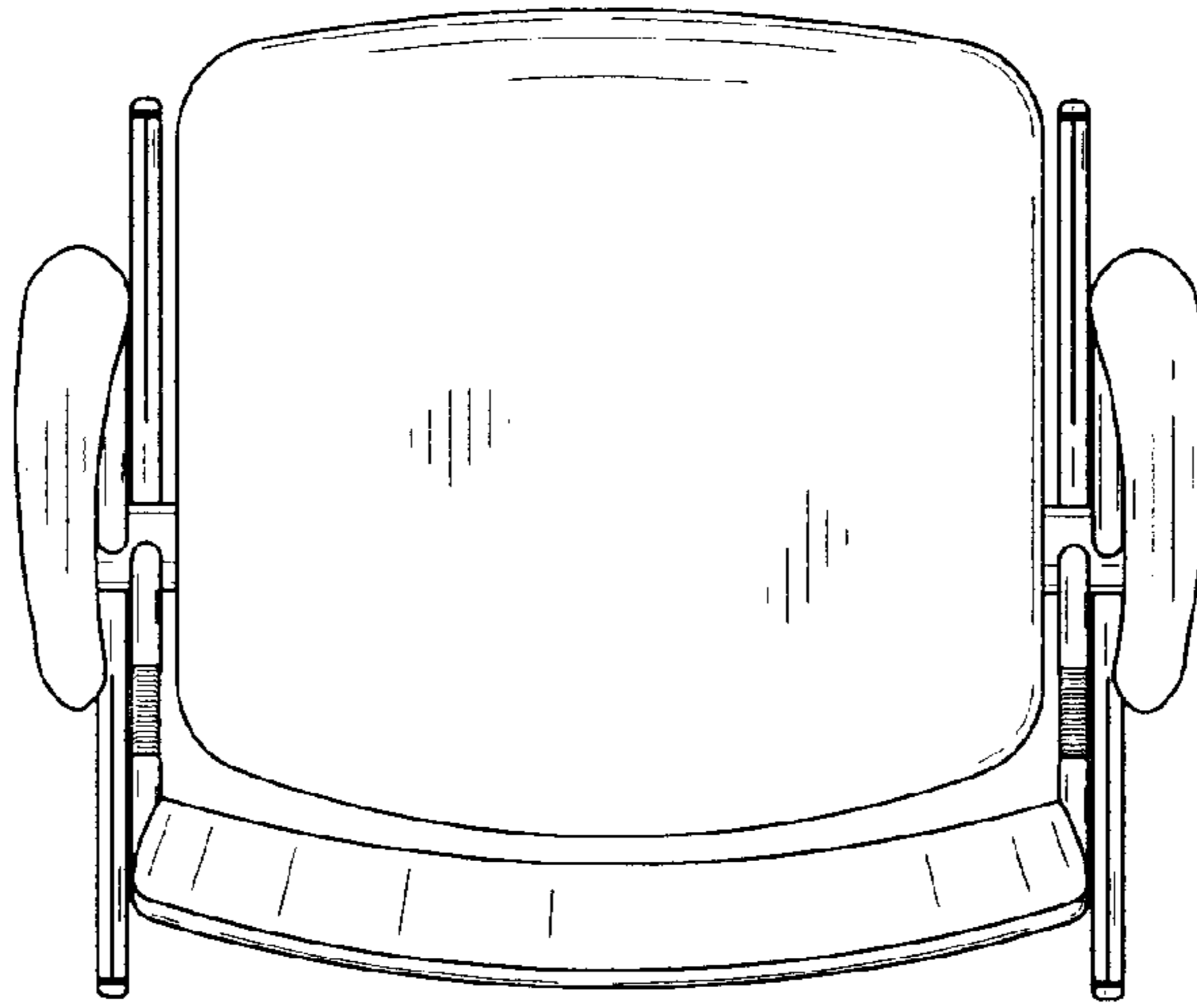


FIG. 8

