



US00D446651B1

(12) **United States Design Patent**
Liao

(10) **Patent No.:** **US D446,651 S**

(45) **Date of Patent:** **** Aug. 21, 2001**

(54) **TOOL BOX**

(76) Inventor: **Youn Chyuan Liao**, No. 12, Avenue
28, Lane 282, Sec. 2, Hsi Tun Road,
Taichung (TW), 407

(**) Term: **14 Years**

(21) Appl. No.: **29/137,218**

(22) Filed: **Feb. 16, 2001**

(51) **LOC (7) Cl.** **03-01**

(52) **U.S. Cl.** **D3/284; D3/905; D3/315;**
D9/415

(58) **Field of Search** D3/273, 310, 313,
D3/315, 905, 282; 220/500, 527, 528; 206/372,
373, 374, 375, 376, 377, 378, 379; D9/415;
D8/71

(56) **References Cited**

U.S. PATENT DOCUMENTS

D. 258,705	*	3/1981	Wheeler	403/74
D. 351,546	*	10/1994	Li	D8/71
D. 370,781	*	6/1996	Vasudeva	D3/284
D. 434,561	*	12/2000	Vasudeva	D3/282
3,923,152	*	12/1975	Minneman	206/3
5,526,929	*	6/1996	Wei	206/378

OTHER PUBLICATIONS

Hardware Taiwan Aug. 1995 p. 59 center photo—tool cases
p. 62 right photo—tool cases p. 71—tool cases.*

* cited by examiner

Primary Examiner—Louis S. Zarfaz

Assistant Examiner—Deanne Levy

(74) *Attorney, Agent, or Firm*—Charles E. Baxley, Esq.

(57) **CLAIM**

The ornamental design for a tool box, as shown and described.

DESCRIPTION

FIG. 1 is a perspective view of a tool box showing my new design;

FIG. 2 is a front elevational view thereof;

FIG. 3 is a rear elevational view thereof;

FIG. 4 is a top plan view thereof;

FIG. 5 is a bottom plan view thereof;

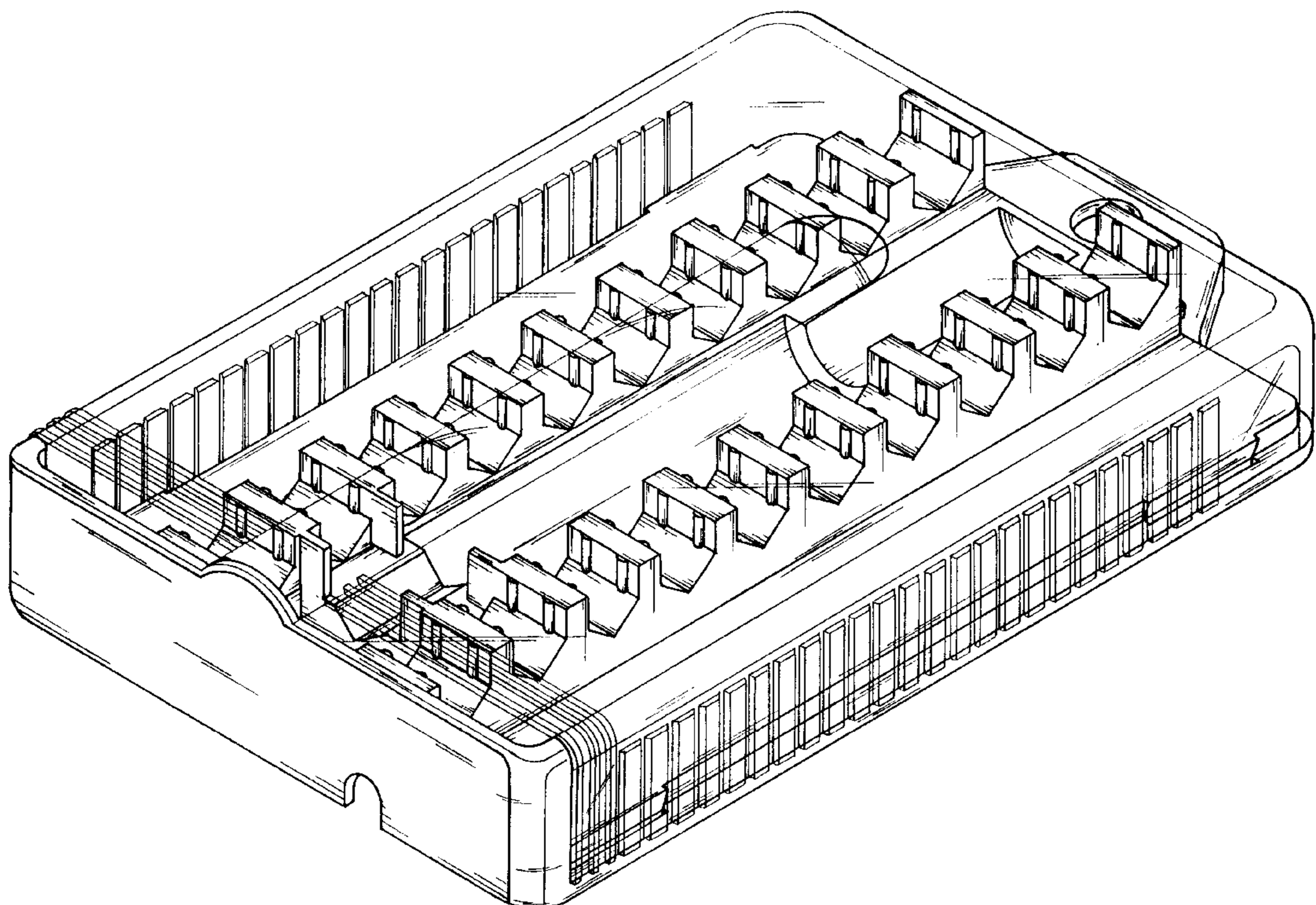
FIG. 6 is a left side elevational view thereof;

FIG. 7 is a right side elevational view thereof;

FIGS. 8, 9, 10 are top plan views thereof, the screw driver stems and/or the screw driver bits depicted by means of broken lines being for illustrative purposes only and forming no part of the claimed design; and,

FIG. 11 is a bottom plan view thereof, the retractable screw driver device depicted by means of broken lines being for illustrative purposes only and forming no part of the claimed design.

1 Claim, 9 Drawing Sheets



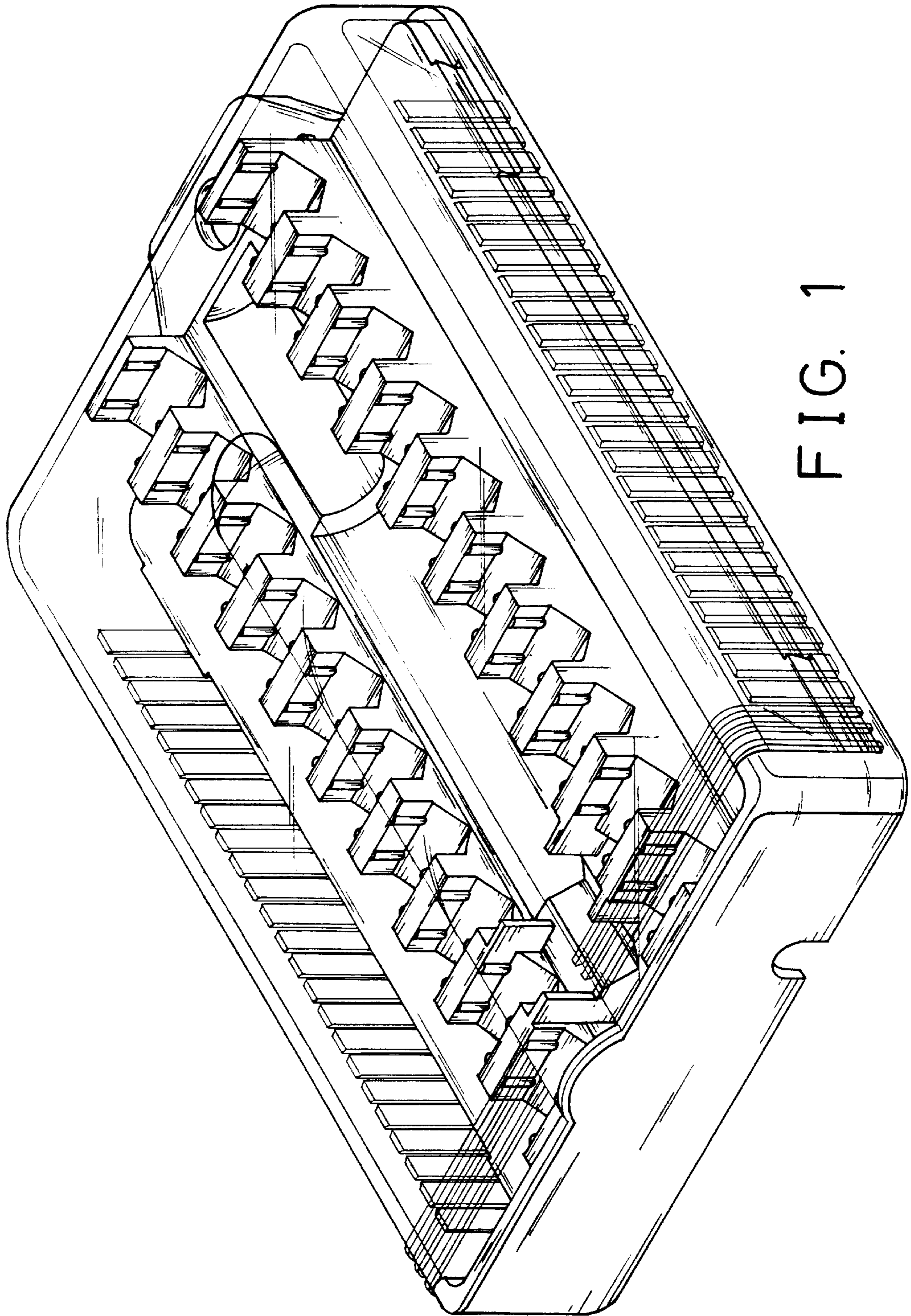


FIG. 1

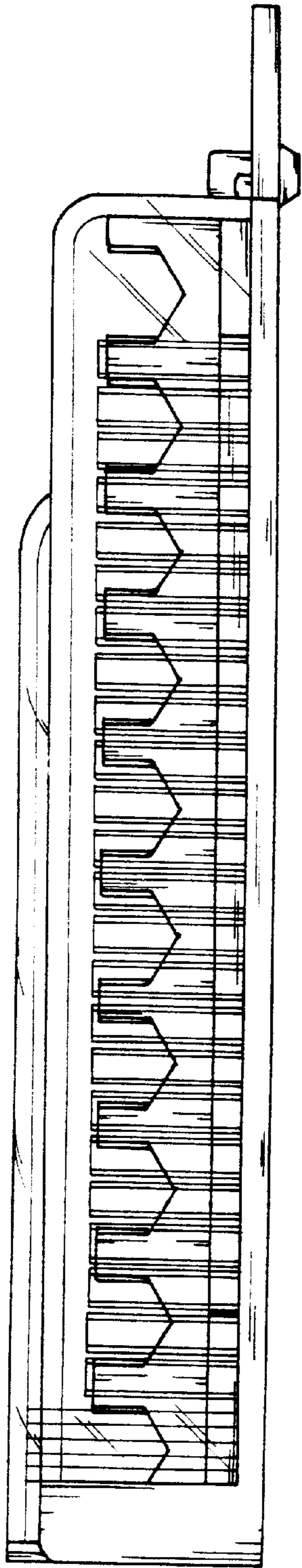


FIG. 2

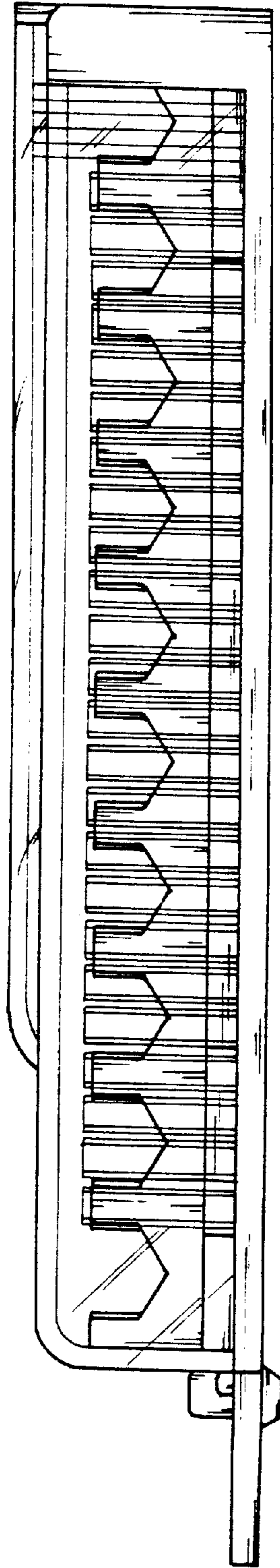


FIG. 3

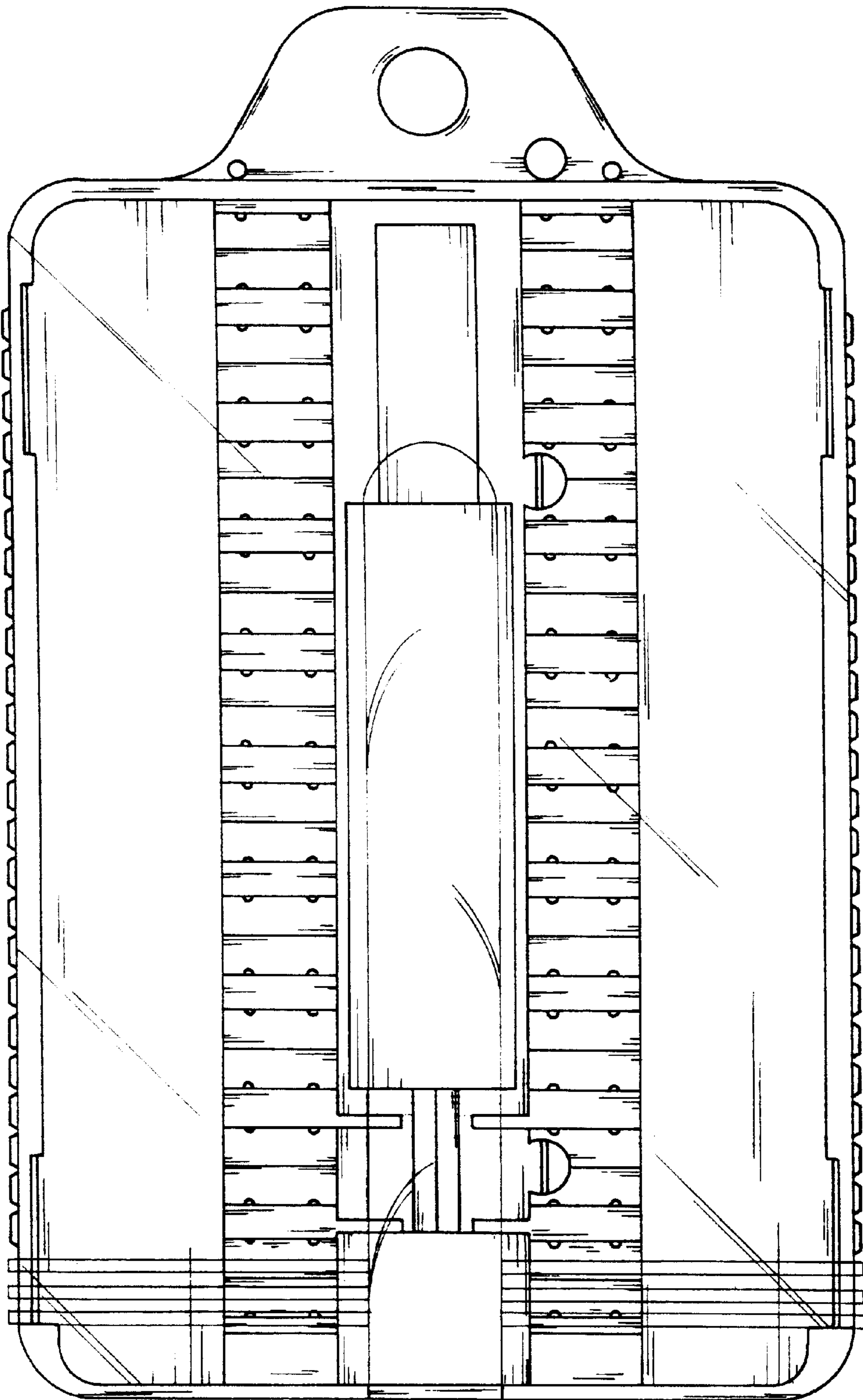


FIG. 4

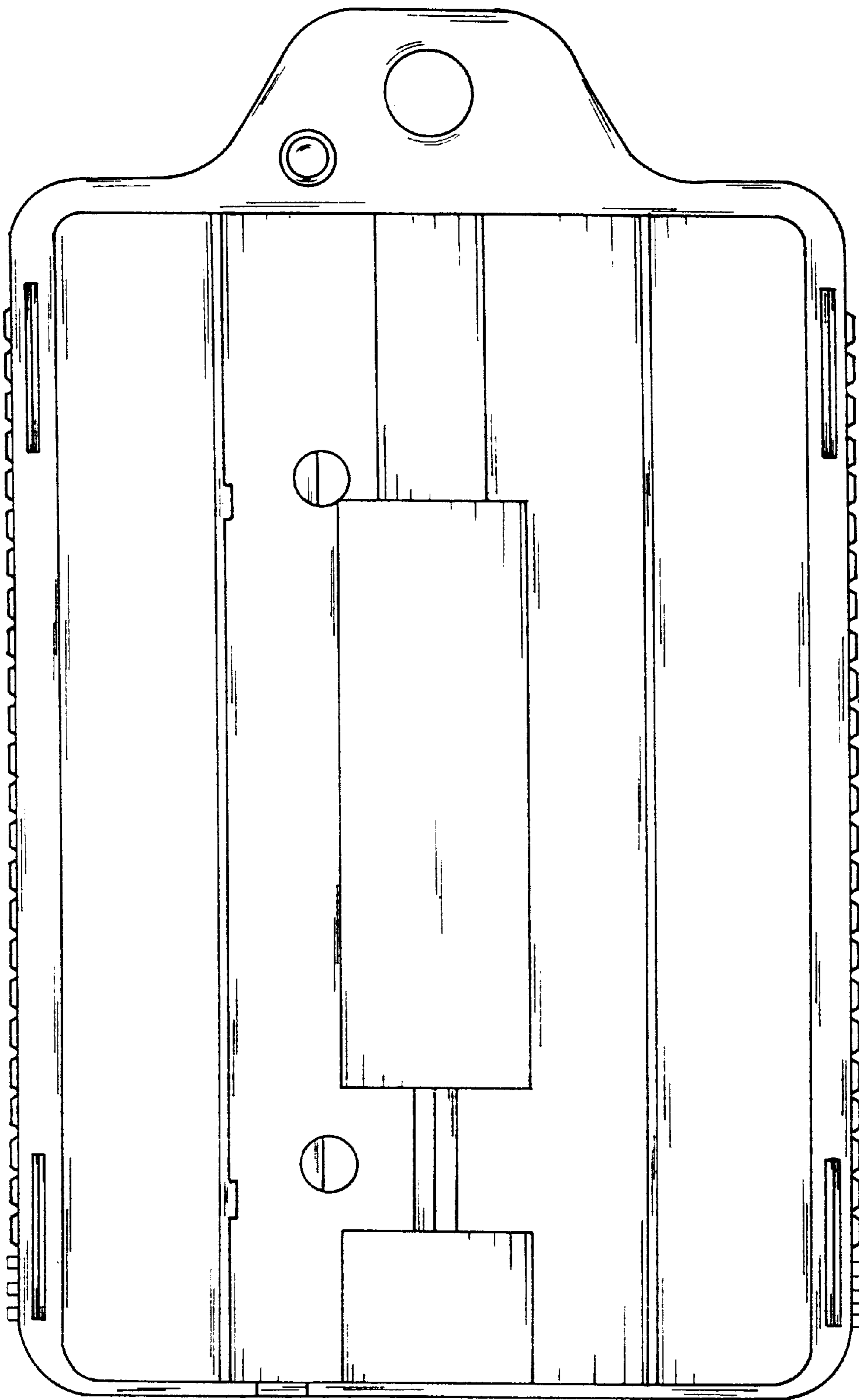


FIG. 5

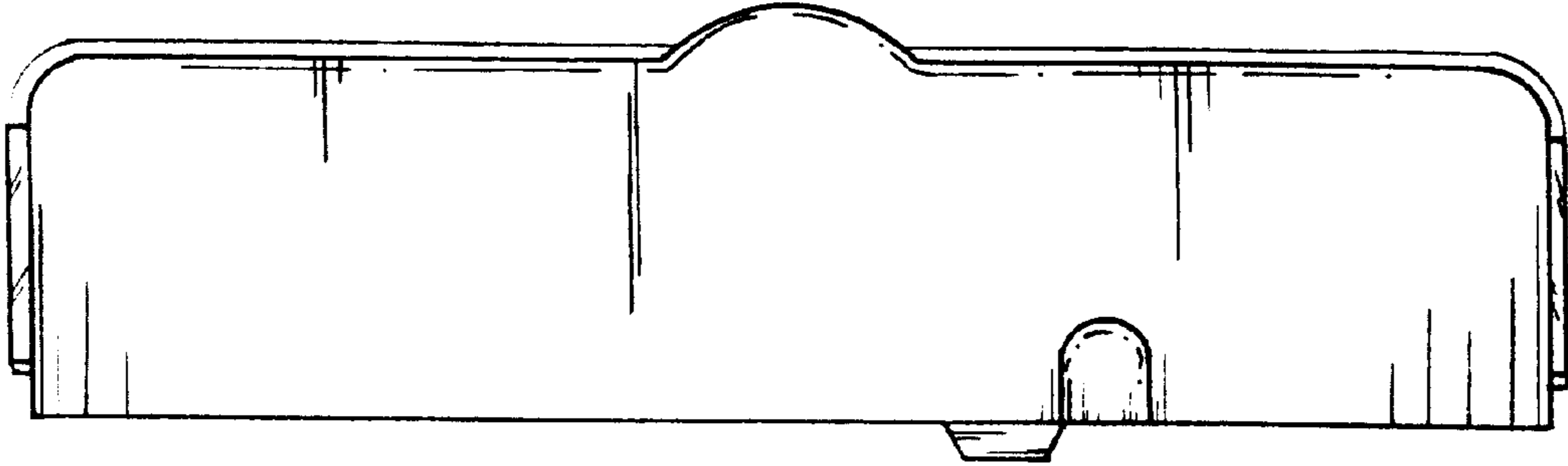


FIG. 6

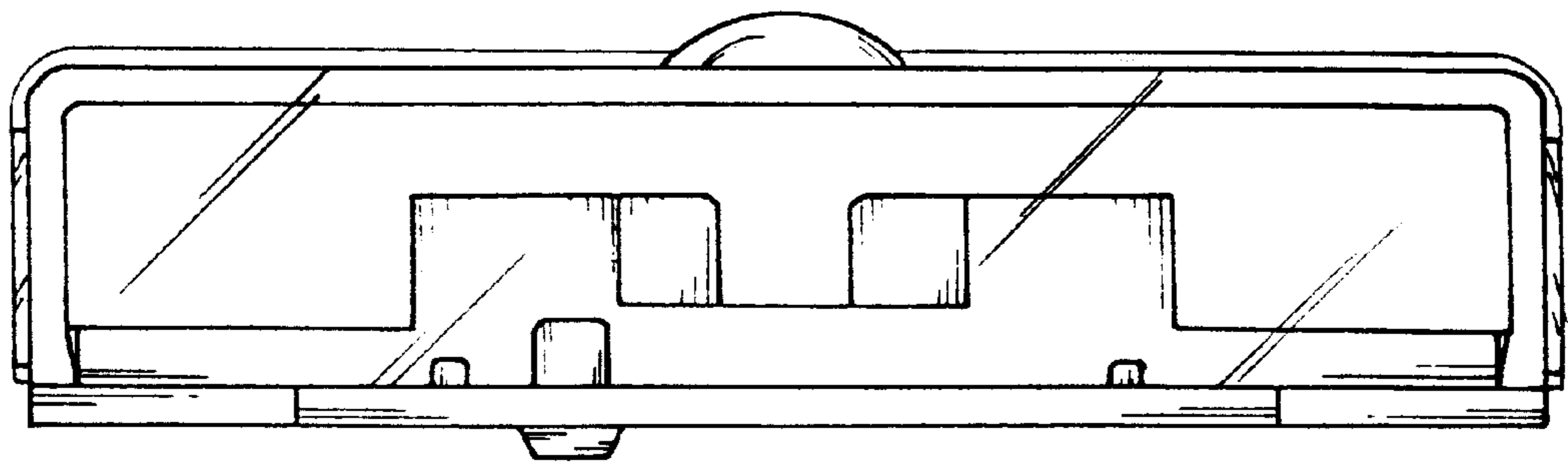


FIG. 7

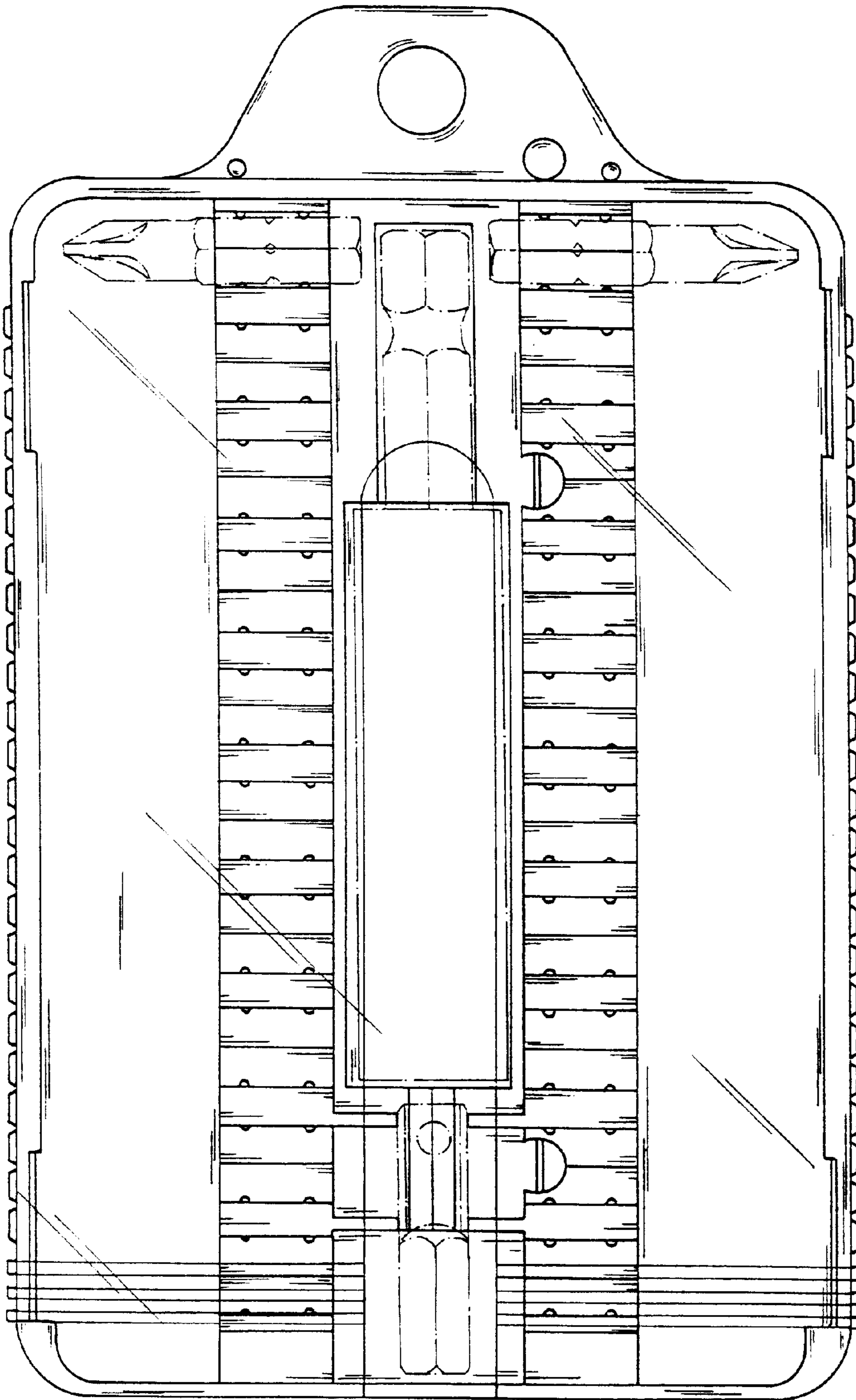


FIG. 8

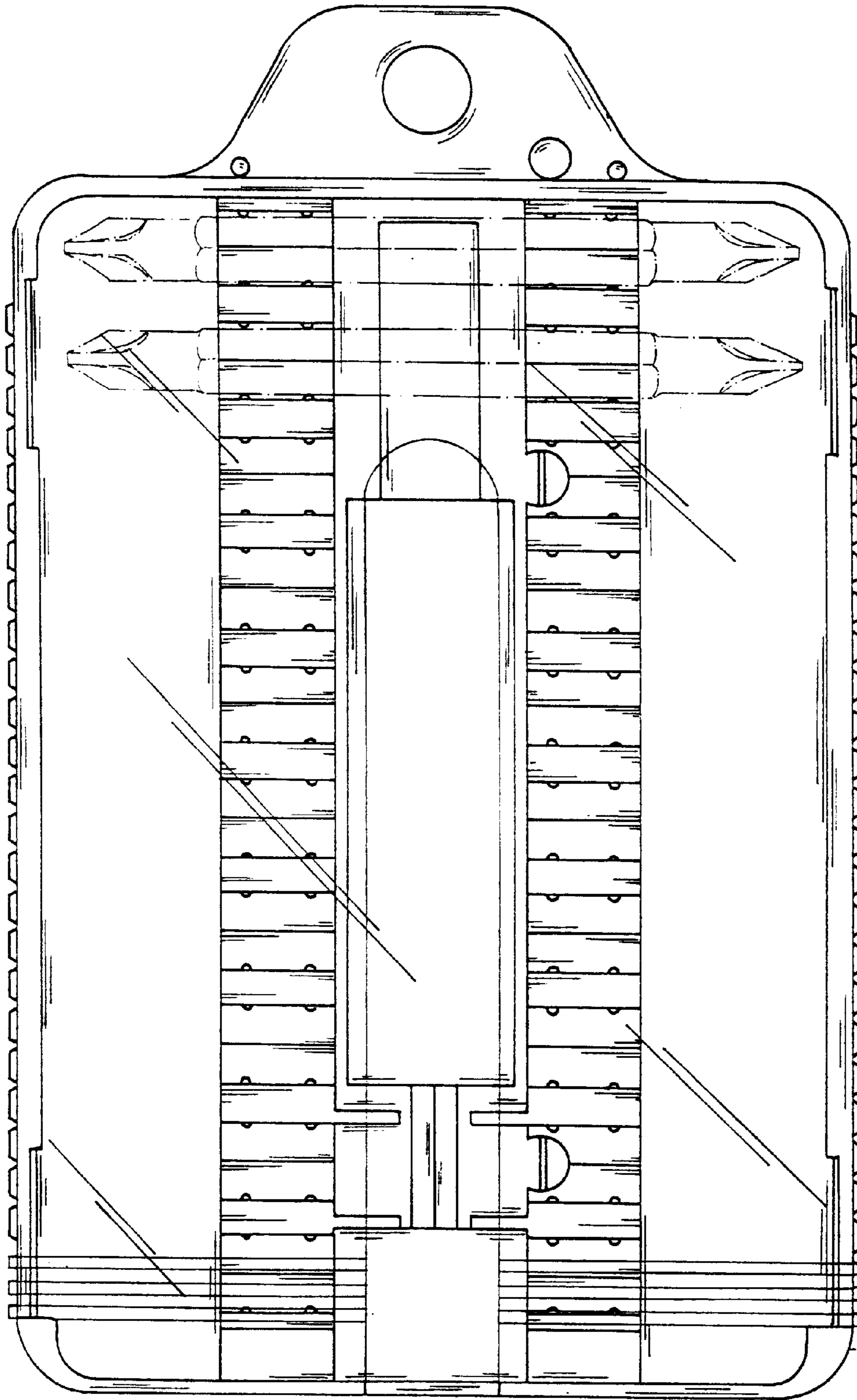


FIG. 9

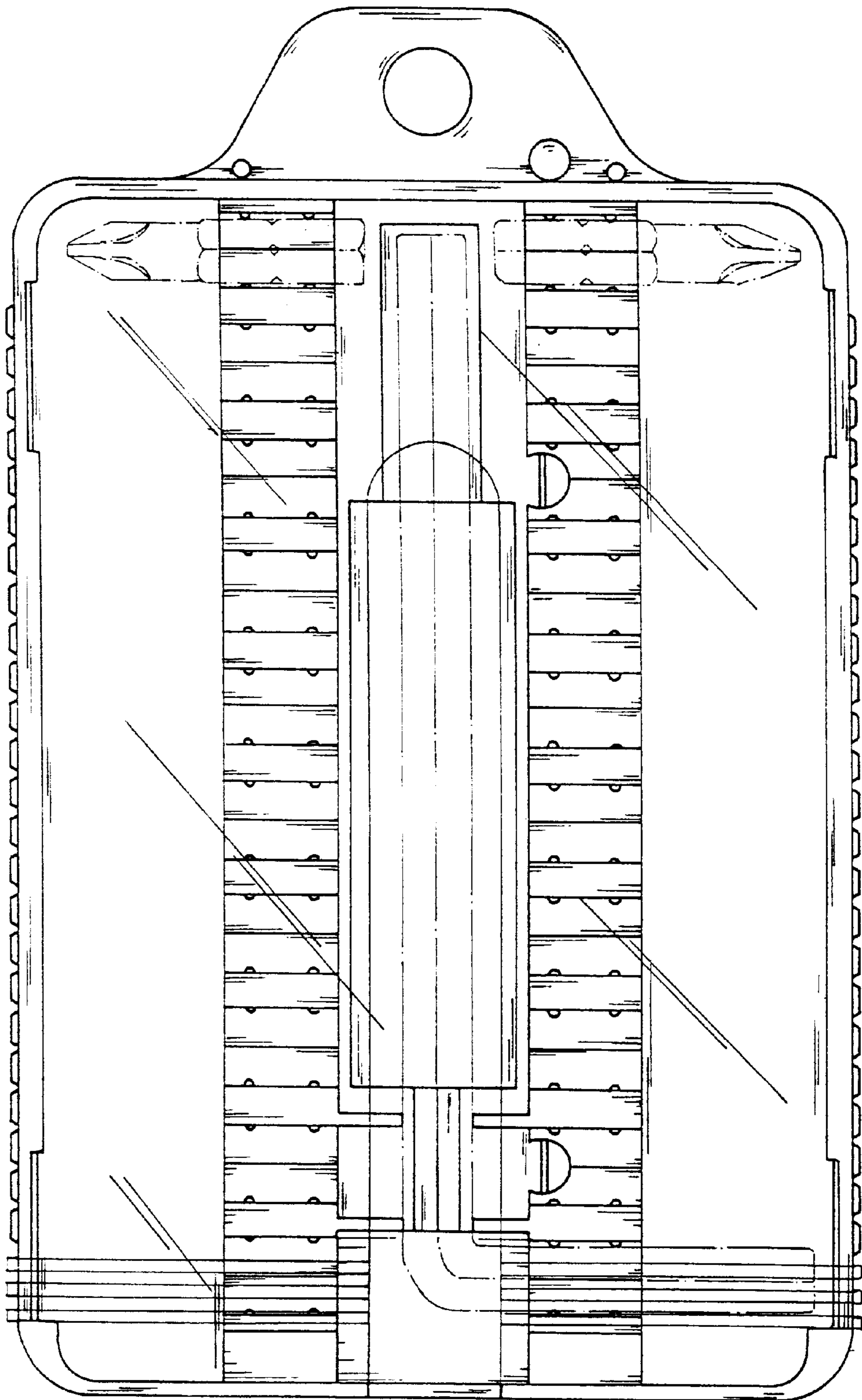


FIG. 10

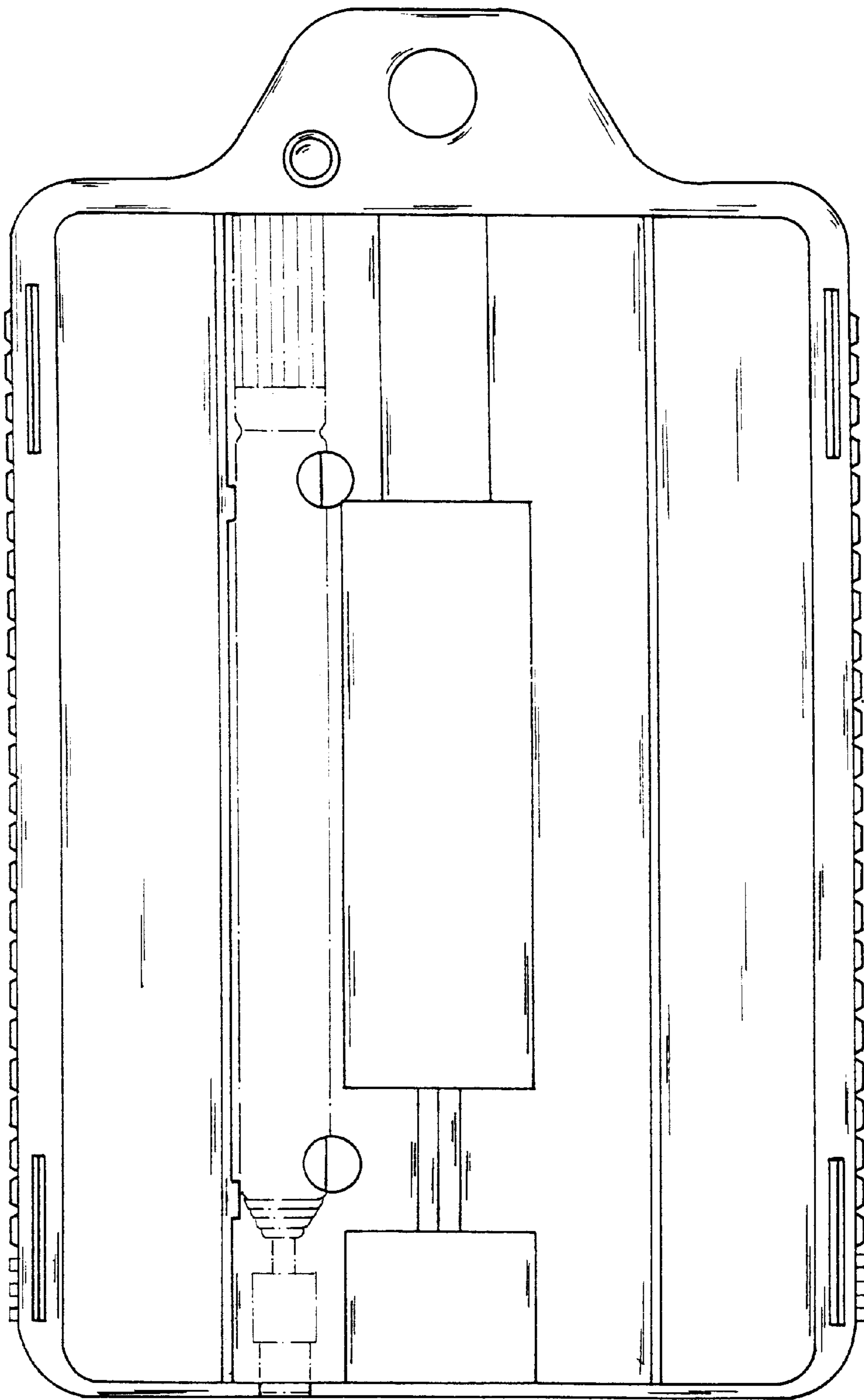


FIG. 11