



US00D446649B1

(12) **United States Design Patent**
Bodony et al.

(10) **Patent No.: US D446,649 S**

(45) **Date of Patent: ** Aug. 21, 2001**

(54) **WALLET**

(76) Inventors: **Lawrence A. Bodony**, 2 John Wilson
La., Lexington, MA (US) 02173;
Shaunt Sarian, 9 Apri Way, Wayland,
MA (US) 01778

(**) Term: **14 Years**

(21) Appl. No.: **29/130,430**

(22) Filed: **Sep. 30, 2000**

(51) **LOC (7) Cl. 03-01**

(52) **U.S. Cl. D3/249**

(58) **Field of Search** D3/247, 248, 249,
D3/250, 251, 252, 253; 150/131, 132, 133,
135, 138, 140, 145, 147, 154, 901; 2/162,
170; 190/124, 125, 126, 127, 903; 383/97,
106, 907; 224/201, 600, 623, 624, 625,
653, 657, 219, 220, 221, 227

(56) **References Cited**

U.S. PATENT DOCUMENTS

1,679,807	*	8/1928	Bohl	150/135
1,842,870	*	1/1932	Harwood	150/140
2,612,201	*	9/1952	Lipp	150/133
4,670,853	*	6/1987	Stepien	150/147 X
5,105,338	*	4/1992	Held	190/903 X
5,775,398	*	7/1998	Siegel	150/147 X

* cited by examiner

Primary Examiner—Louis S. Zarfaz

Assistant Examiner—Monica A. Weingart

(74) *Attorney, Agent, or Firm*—Wolf, Greenfield & Sacks,
P.C.

(57) **CLAIM**

The ornamental design for a wallet, as shown and described.

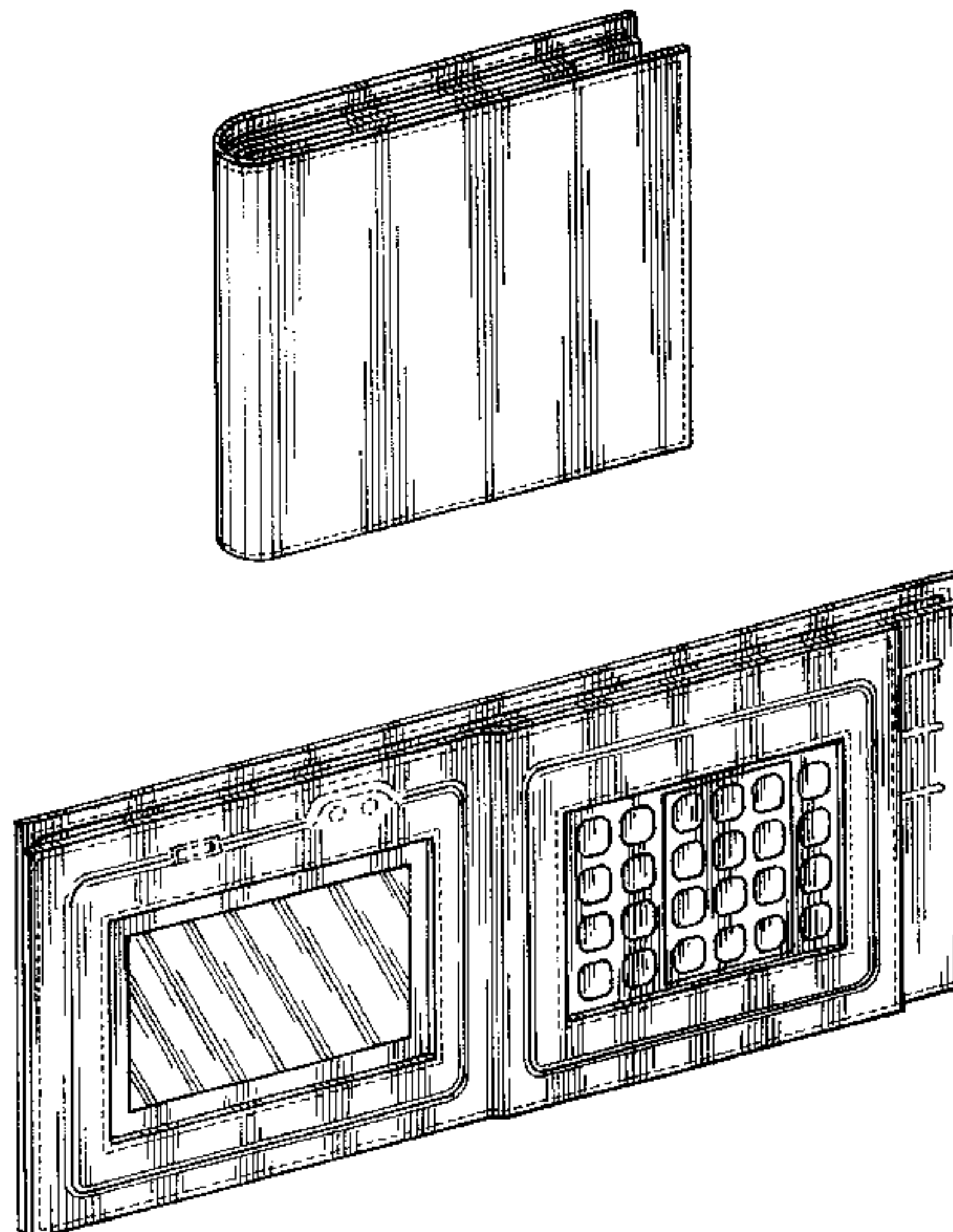
DESCRIPTION

FIG. 1 is perspective view of a first embodiment of the

wallet in a folded configuration showing our new design;
 FIG. 2 is a rear elevational view thereof;
 FIG. 3 is a top plan view thereof;
 FIG. 4 is a bottom plan view thereof;
 FIG. 5 is a left side elevational view thereof;
 FIG. 6 is a right side elevational view thereof;
 FIG. 7 is a perspective view thereof in an open configuration
 with a broken line representation of the keys and card slots
 forming no part of the claimed design;
 FIG. 8 is a front elevational view thereof;
 FIG. 9 is a top plan view thereof;
 FIG. 10 is a bottom plan view thereof;
 FIG. 11 is a left side elevational view thereof;
 FIG. 12 is a rear elevational view thereof;
 FIG. 13 is a right side elevational view thereof;
 FIG. 14 is a perspective view thereof in the open configura-
 tion with an inside flap open with a broken line repre-
 sentation of the card slots forming no part of the claimed design;
 FIG. 15 is a front elevational view thereof;
 FIG. 16 is a top plan view thereof;
 FIG. 17 is a bottom plan view thereof;
 FIG. 18 is a left side elevational view thereof;
 FIG. 19 is a right side elevational view thereof;
 FIG. 20 is a perspective view of a second embodiment of the
 wallet in the open configuration with a broken line repre-
 sentation of a connector and speaker for the wallet forming
 no part of the claimed design;
 FIG. 21 is a front elevational view thereof;
 FIG. 22 is a top plan view thereof; and,
 FIG. 23 is a left side elevational view thereof.

The exterior surface of the second embodiment of the wallet
is not shown in the drawings or described in the specification
and is understood to form no part of this embodiment of the
claimed design.

1 Claim, 4 Drawing Sheets



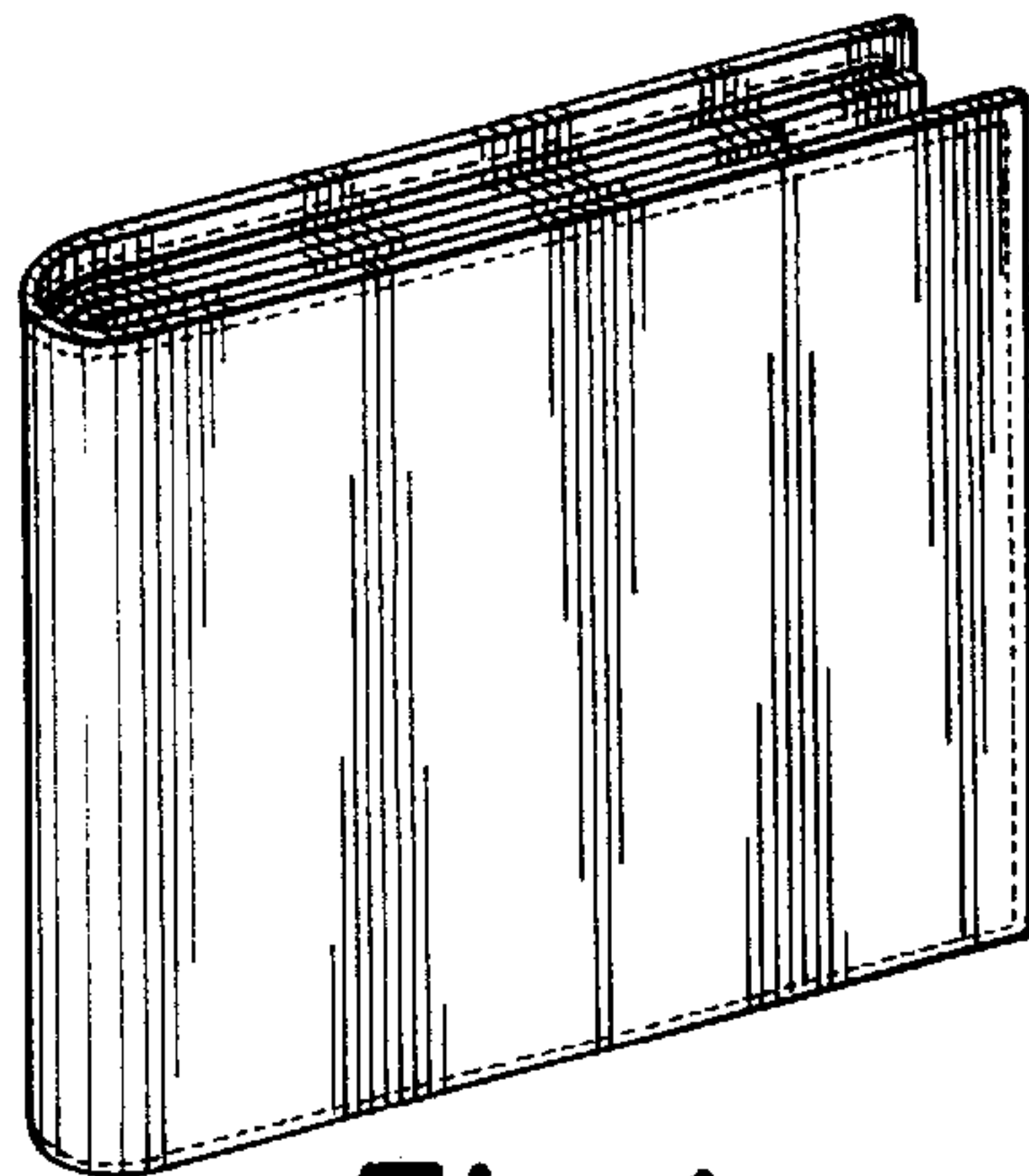


Fig. 1

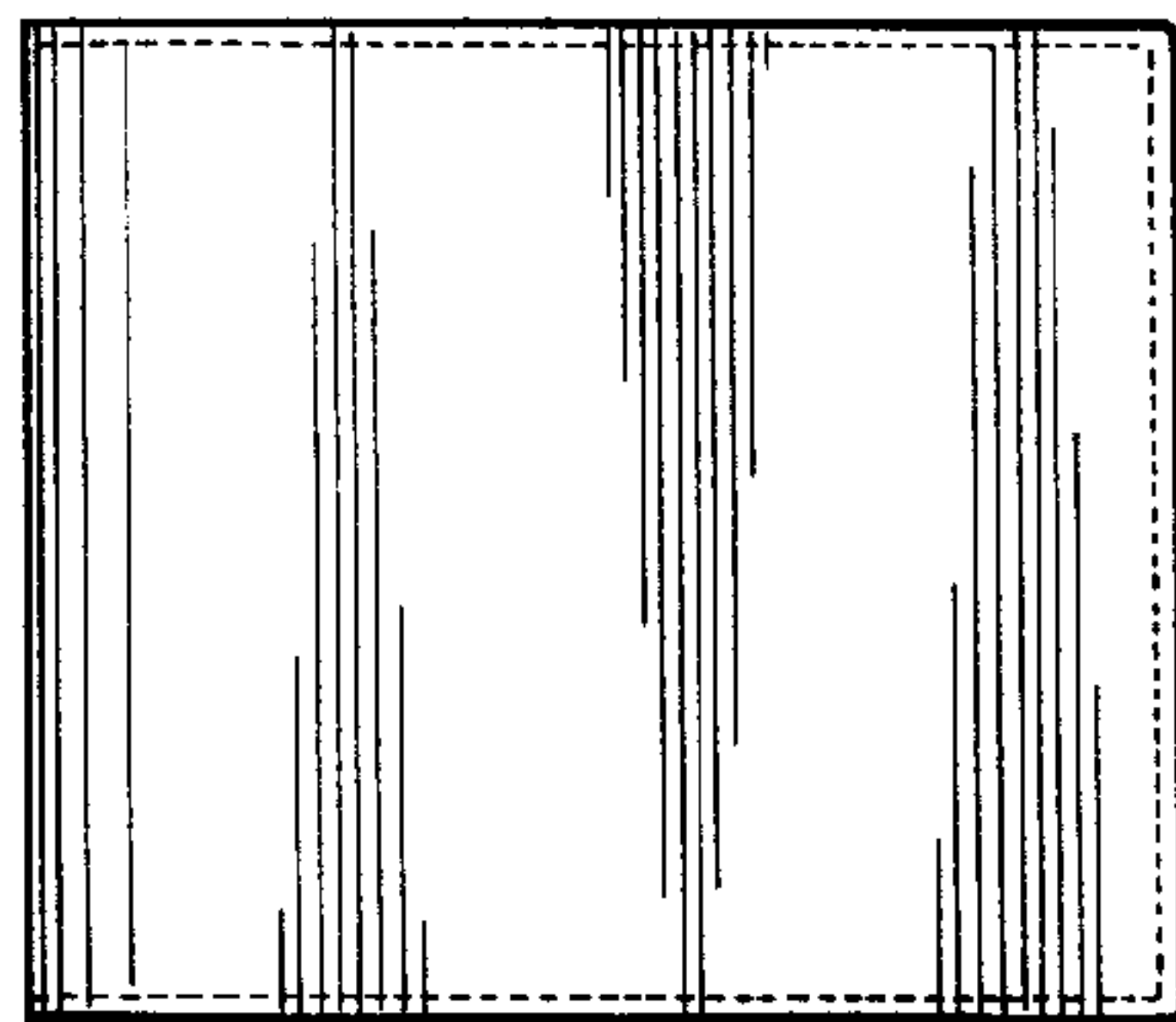


Fig. 2



Fig. 3

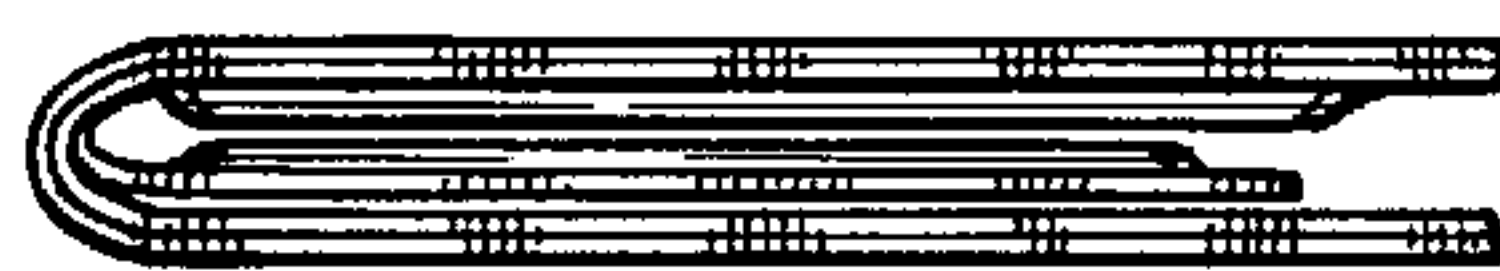


Fig. 4



Fig. 5



Fig. 6

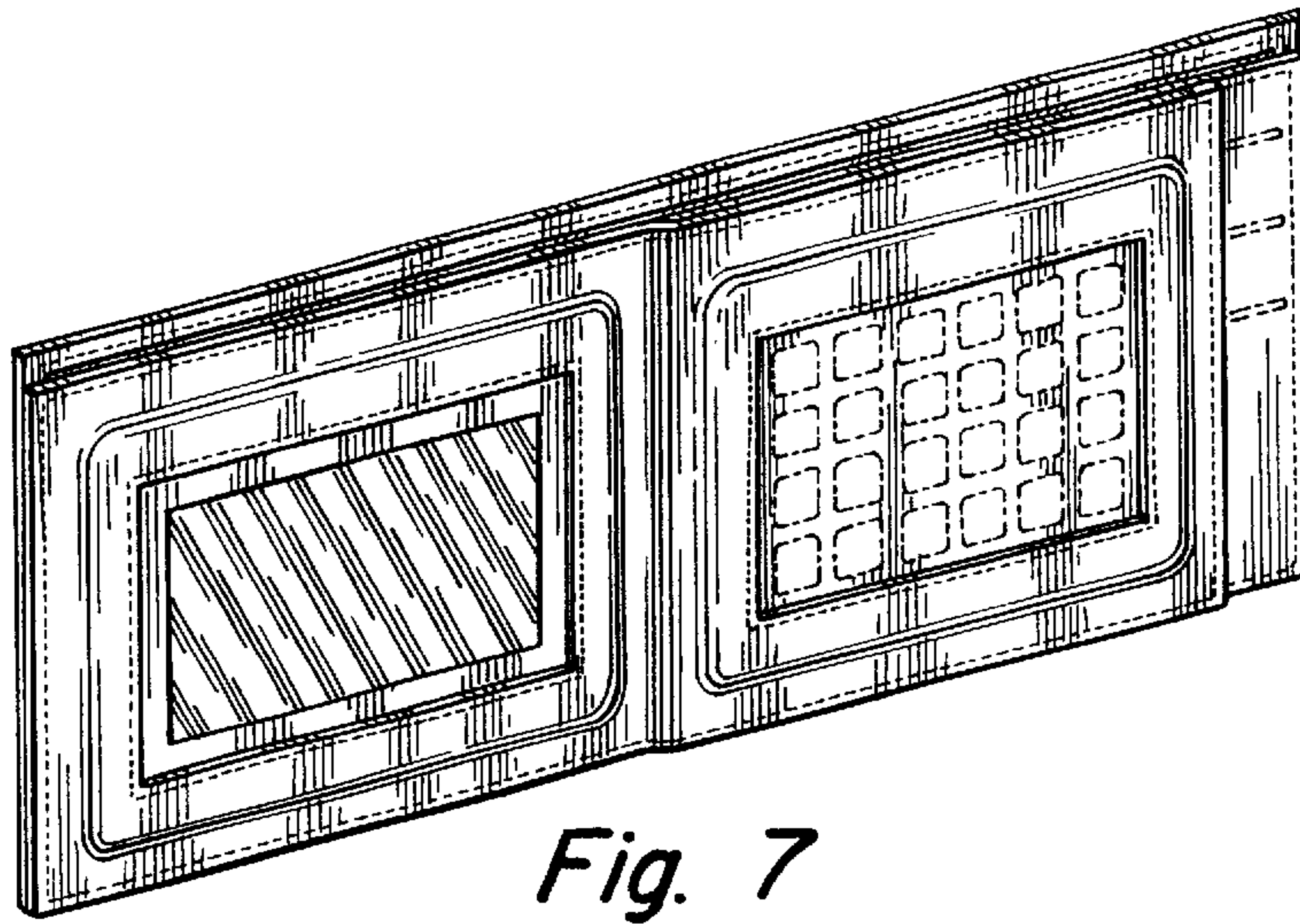


Fig. 7

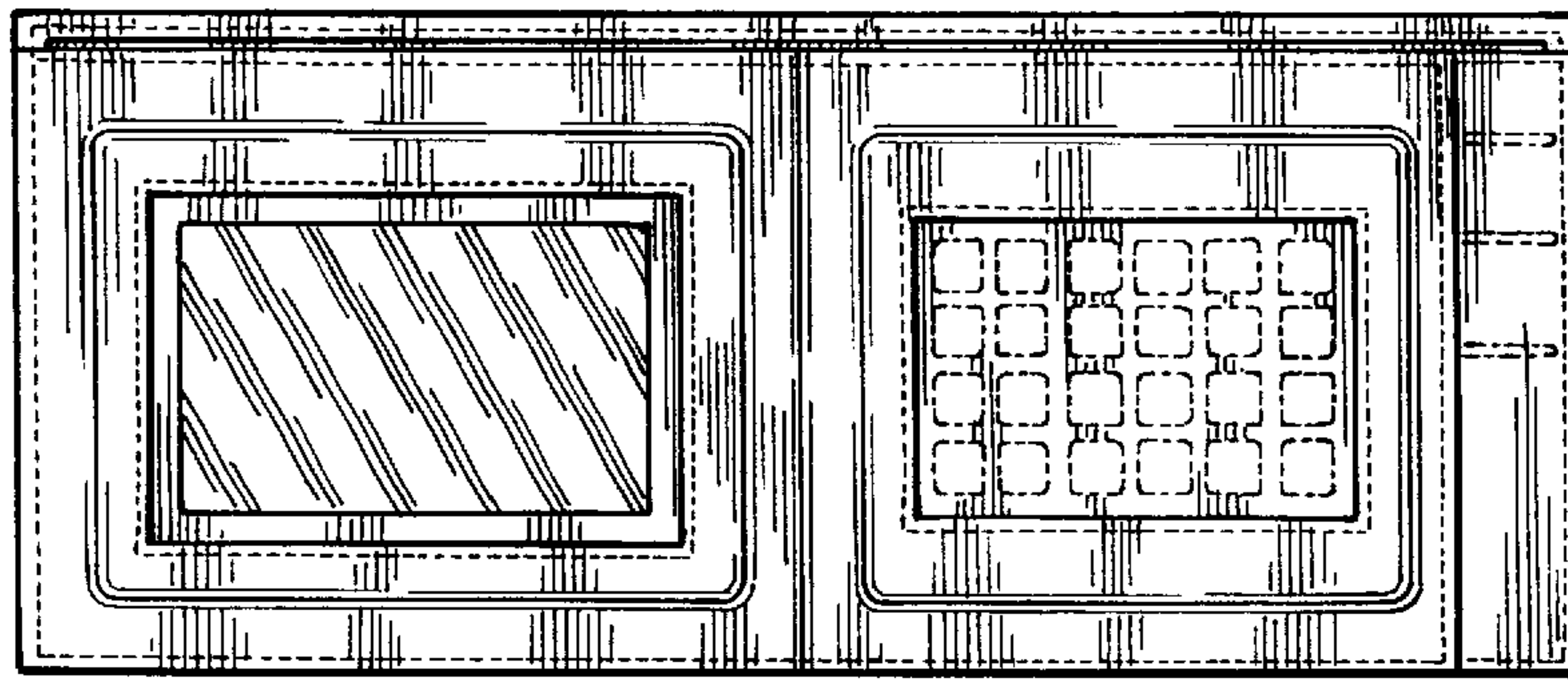


Fig. 8



Fig. 9



Fig. 10



Fig. 11

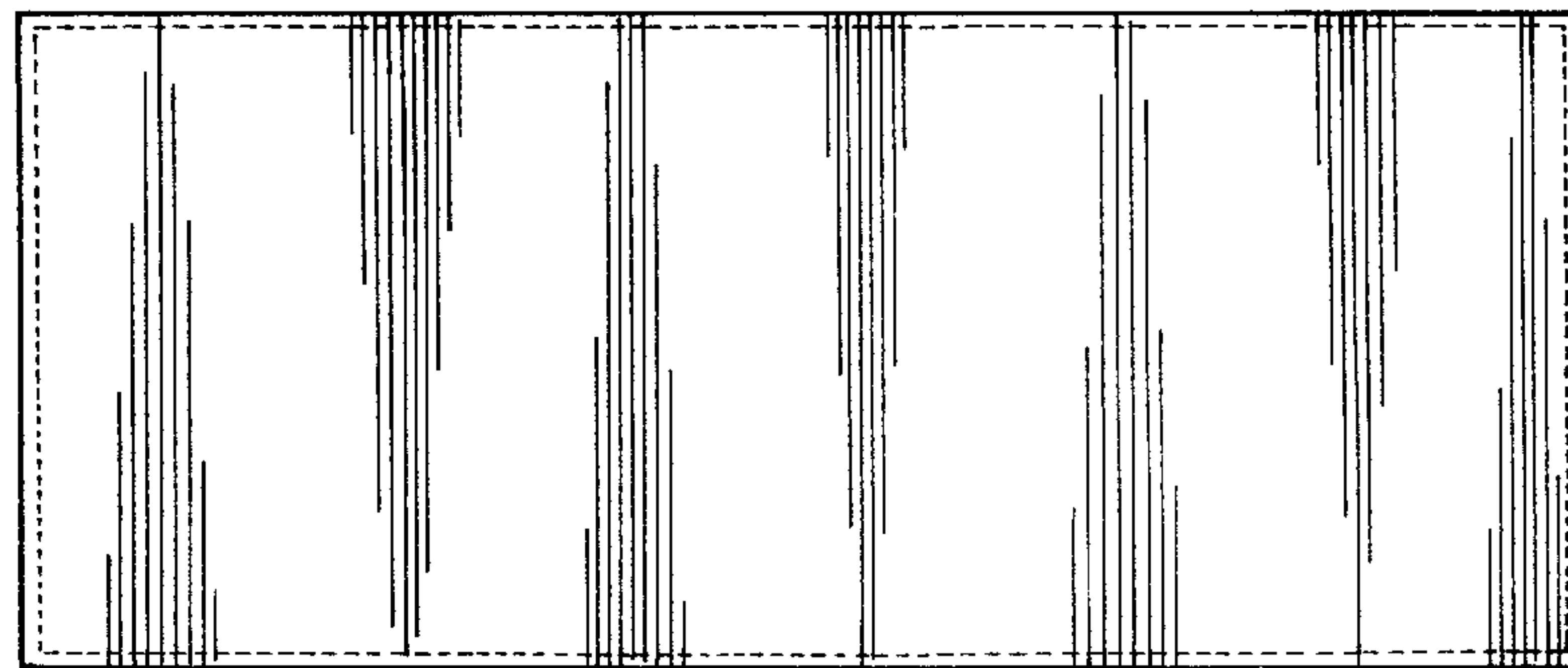


Fig. 12



Fig. 13

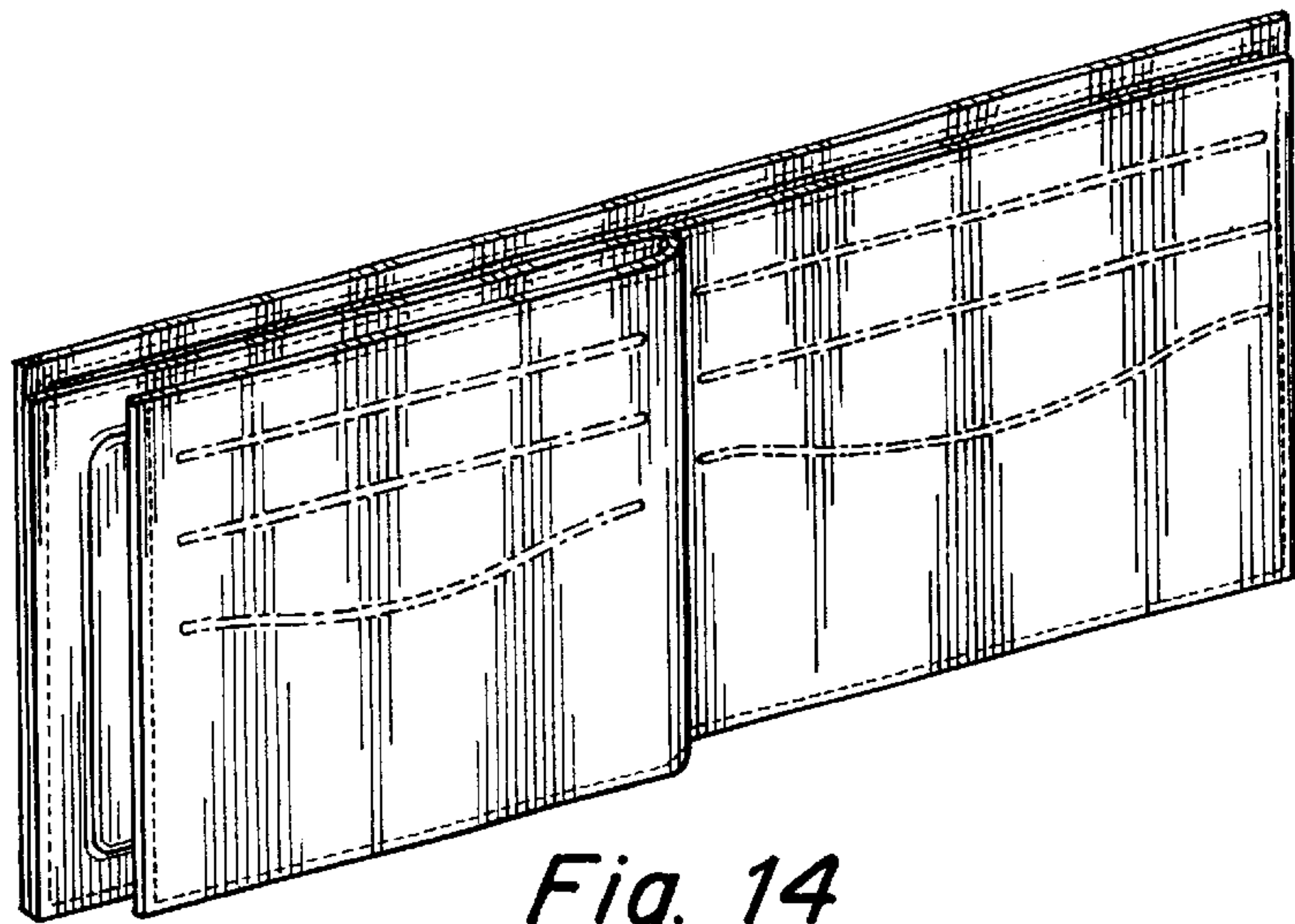


Fig. 14

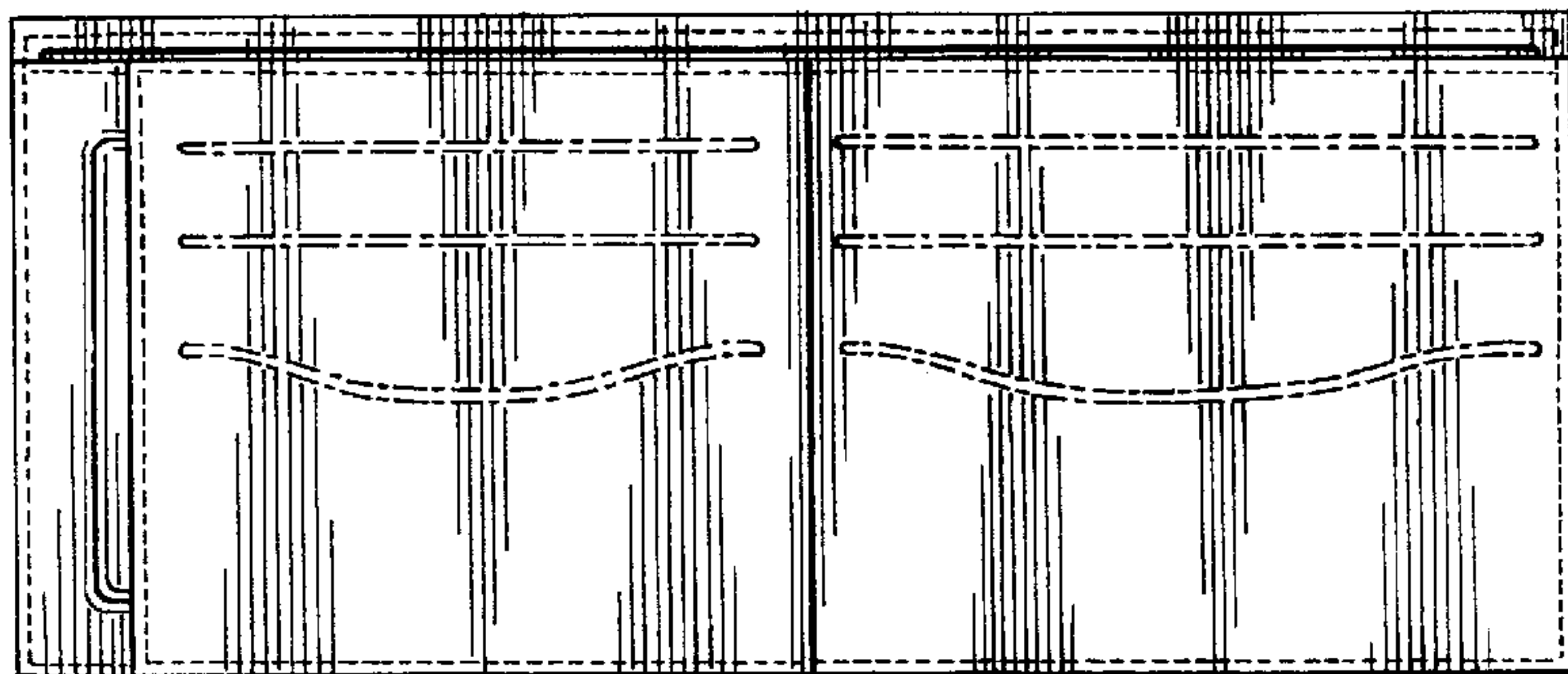


Fig. 15



Fig. 16



Fig. 17



Fig. 18



Fig. 19

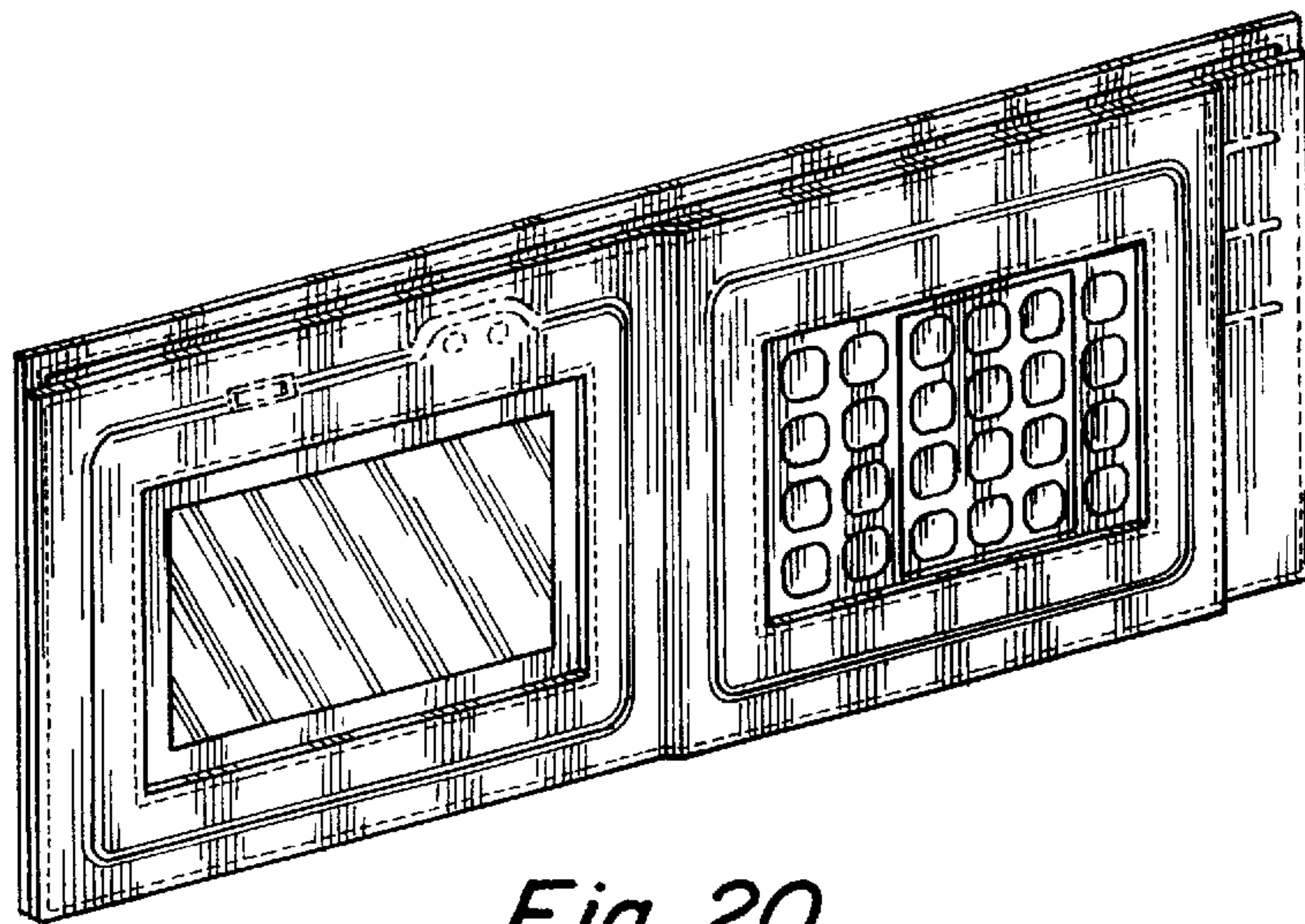


Fig. 20

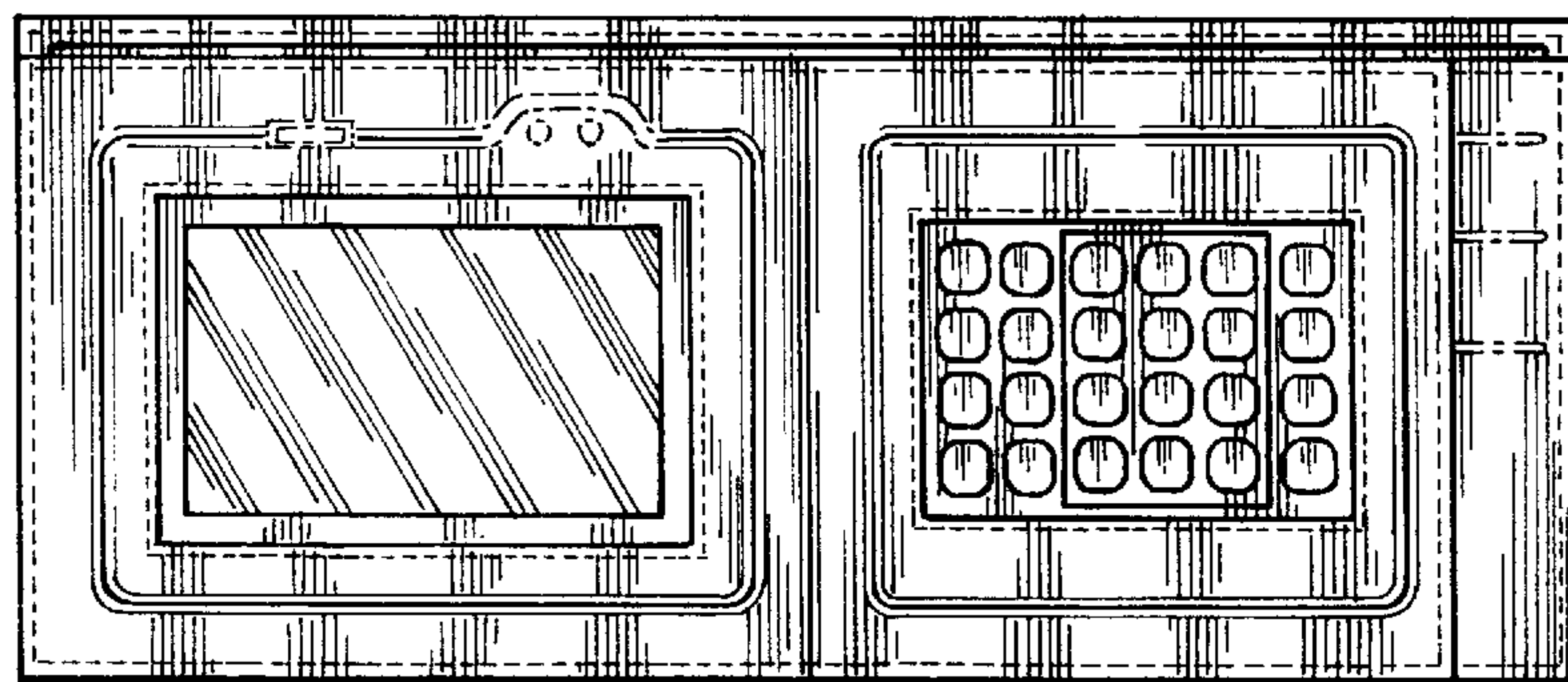


Fig. 21



Fig. 22



Fig. 23