



US00D446647B1

(12) **United States Design Patent**
Protheroe

(10) **Patent No.:** **US D446,647 S**

(45) **Date of Patent:** **** Aug. 21, 2001**

(54) **CARD HOLDER**

(75) Inventor: **Terry Protheroe**, Forest Hills, NY (US)

(73) Assignee: **Cole Haan**, Yarmouth, ME (US)

(**) Term: **14 Years**

(21) Appl. No.: **29/134,370**

(22) Filed: **Dec. 21, 2000**

(51) **LOC (7) Cl.** **03-01**

(52) **U.S. Cl.** **D3/247**

(58) **Field of Search** D3/232-233, 247,
D3/248, 249, 250, 251, 253; 150/131, 132,
136, 138, 139, 140, 141, 143, 144, 146,
147, 149, 150, 152, 900; 206/455, 308.1

(56) **References Cited**

U.S. PATENT DOCUMENTS

D. 90,475	8/1933	Buxton .	
D. 91,646	3/1934	Buxton .	
D. 91,647	3/1934	Buxton .	
D. 105,352	7/1937	Welch .	
D. 108,135	1/1938	Welch .	
D. 108,168	1/1938	Welch .	
D. 111,621	10/1938	Stanley .	
D. 115,579	7/1939	Brown .	
D. 116,792	9/1939	Buxton .	
D. 122,033	8/1940	Schwalbe .	
D. 124,355	* 12/1940	Buxton	D3/250
D. 124,887	1/1941	Buxton .	
D. 137,726	4/1944	Berens .	
D. 141,381	5/1945	Pence .	
D. 155,384	10/1949	Broughton .	
D. 263,898	4/1982	Linke .	

D. 267,053	11/1982	Linke .	
D. 314,865	2/1991	Tuisku .	
D. 337,883	8/1993	Conner .	
D. 362,114	9/1995	Simhon .	
1,787,054	* 12/1930	Scheuer	D3/250
2,452,096	* 10/1948	Bertalotto	150/139
2,828,975	4/1958	Wright .	
2,955,633	* 10/1960	Seitz	150/132
3,777,795	* 12/1973	Graetz	150/147
4,921,027	* 5/1990	Scheunemann	150/146 X

* cited by examiner

Primary Examiner—Louis S. Zarfaz

Assistant Examiner—Monica A. Weingart

(74) *Attorney, Agent, or Firm*—Banner & Witcoff, Ltd.

(57) **CLAIM**

The ornamental design for a card holder, as shown and described.

DESCRIPTION

The claimed design is intended to be used in a handbag or tote bag.

FIG. 1 is an elevational view of a card holder showing my new design;

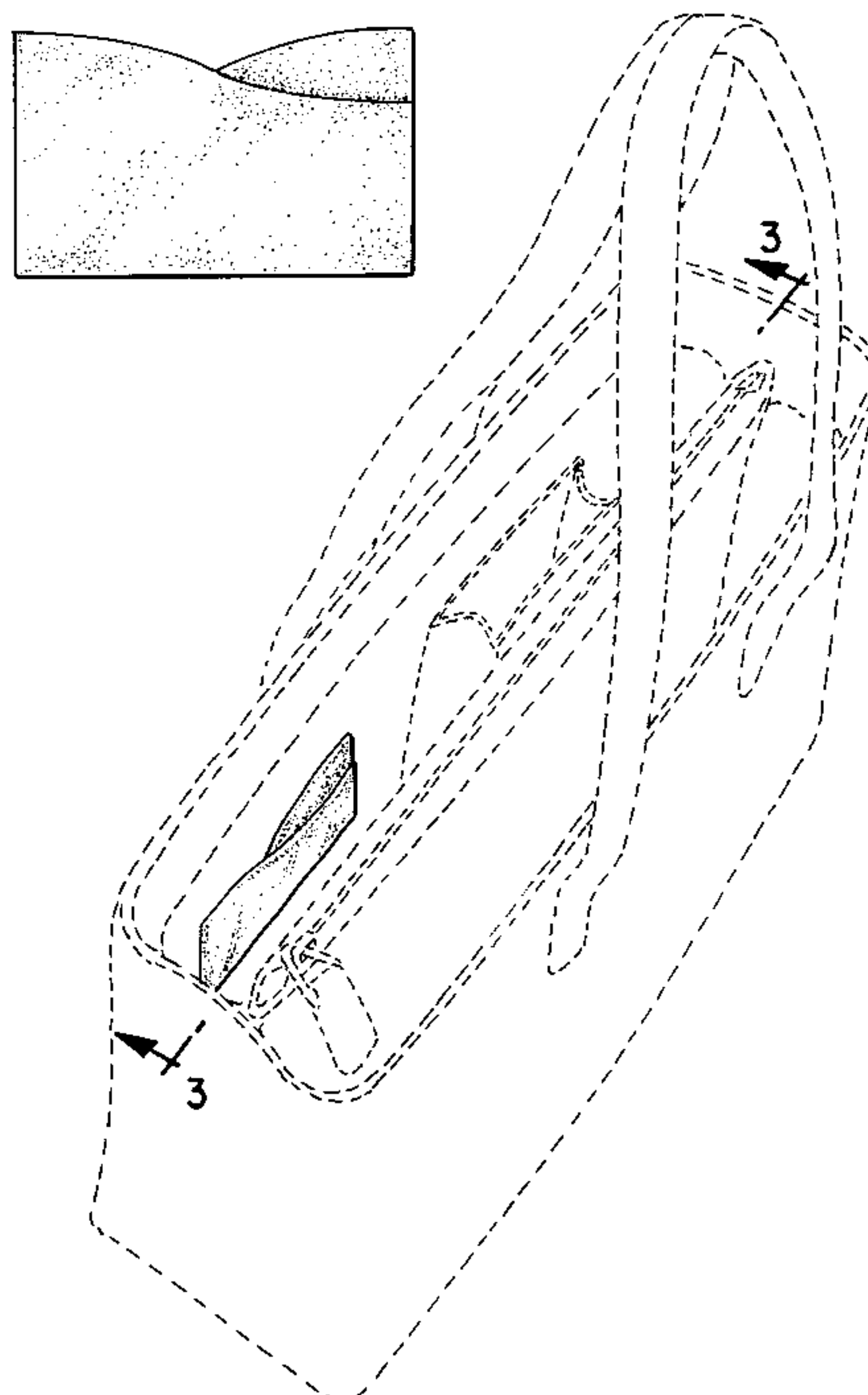
FIG. 2 is a perspective view thereof shown in its environment; and,

FIG. 3 is section view taken along line 3—3 of FIG. 2.

The claimed design is intended to be used in a handbag or tote bag.

The broken line showing of the remainder of the bag in FIGS. 2 and 3 is for illustrative and intended use purposes only and forms no part of the claimed design.

1 Claim, 2 Drawing Sheets



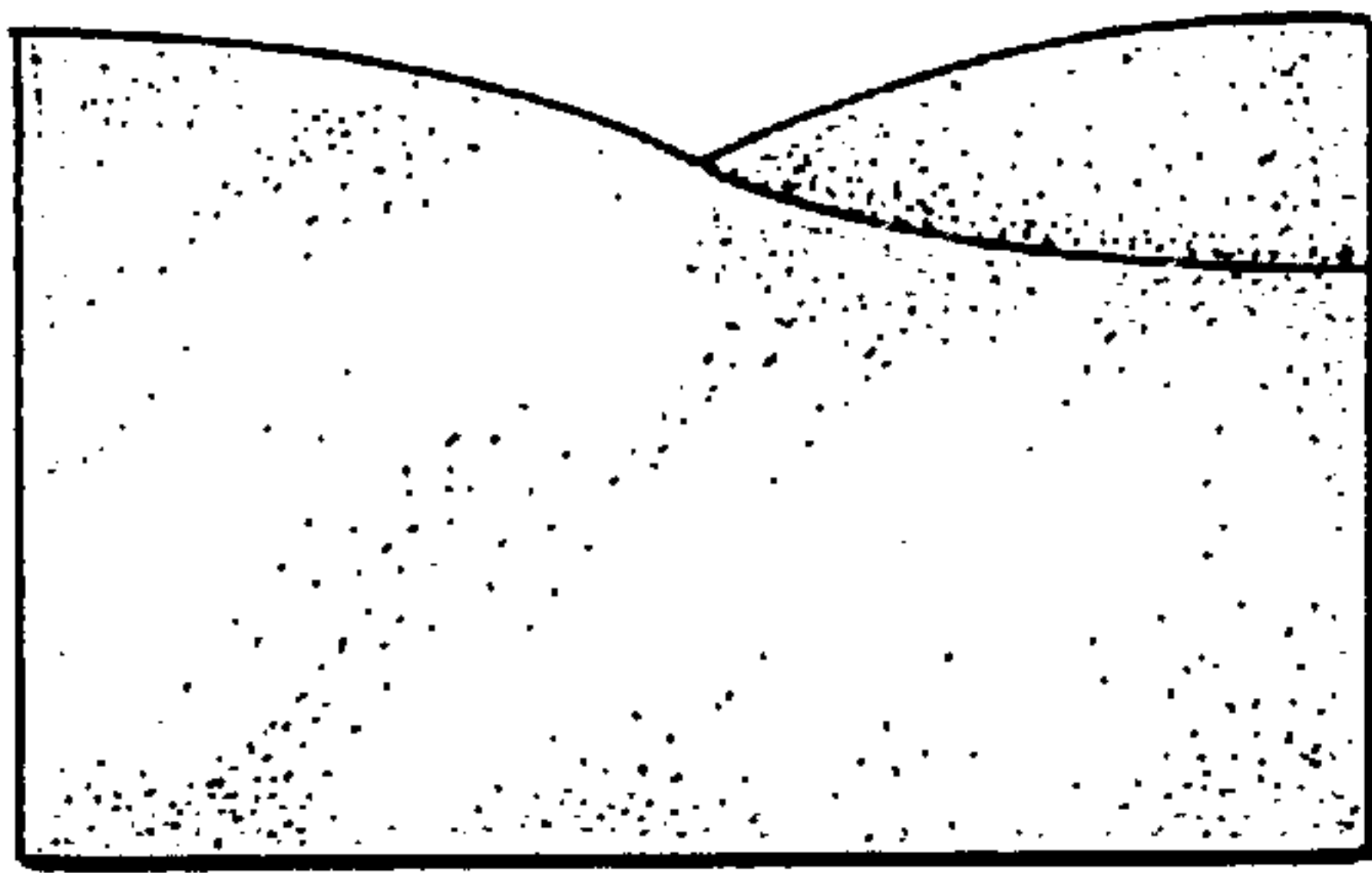


FIG. 1

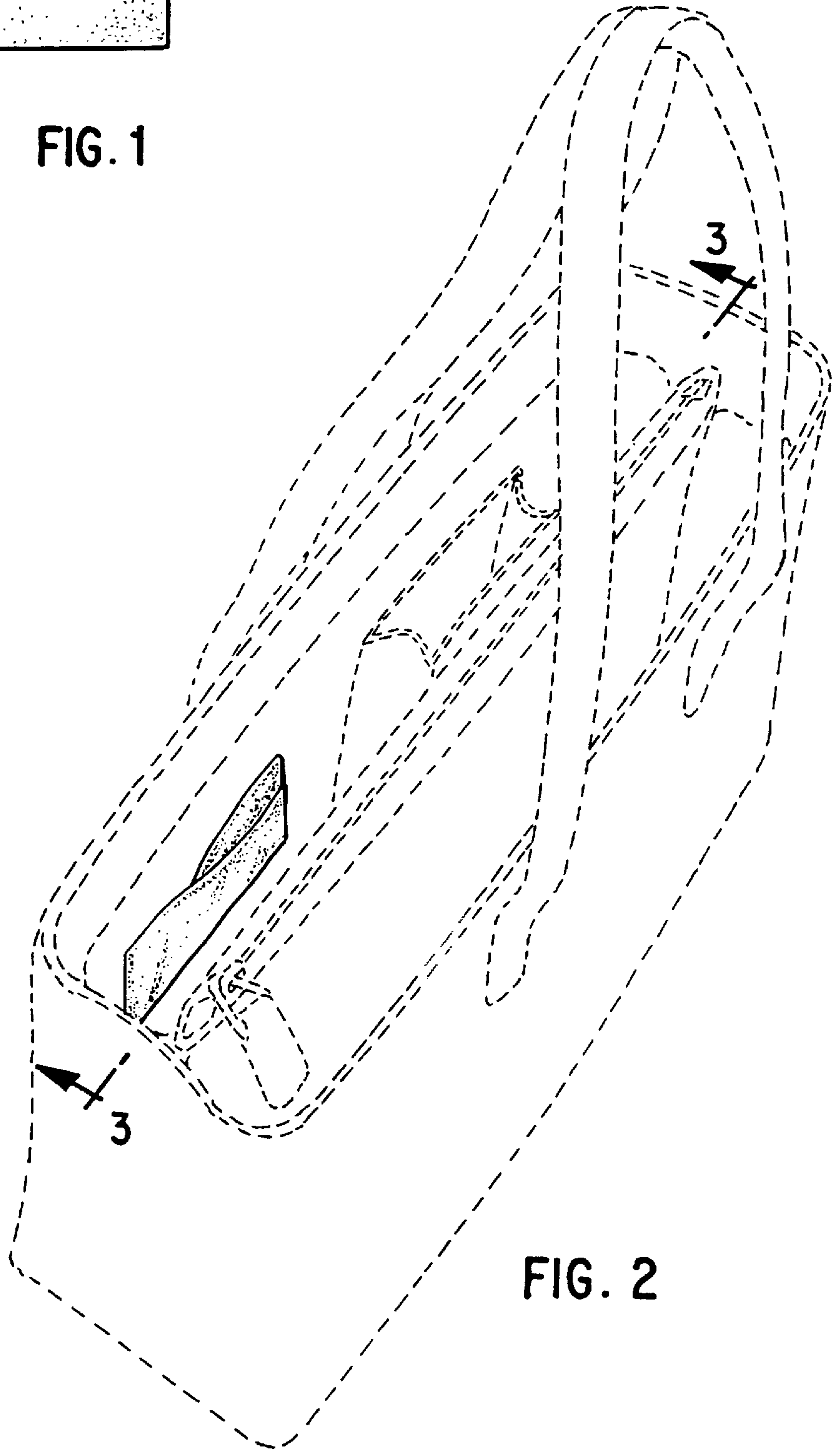


FIG. 2

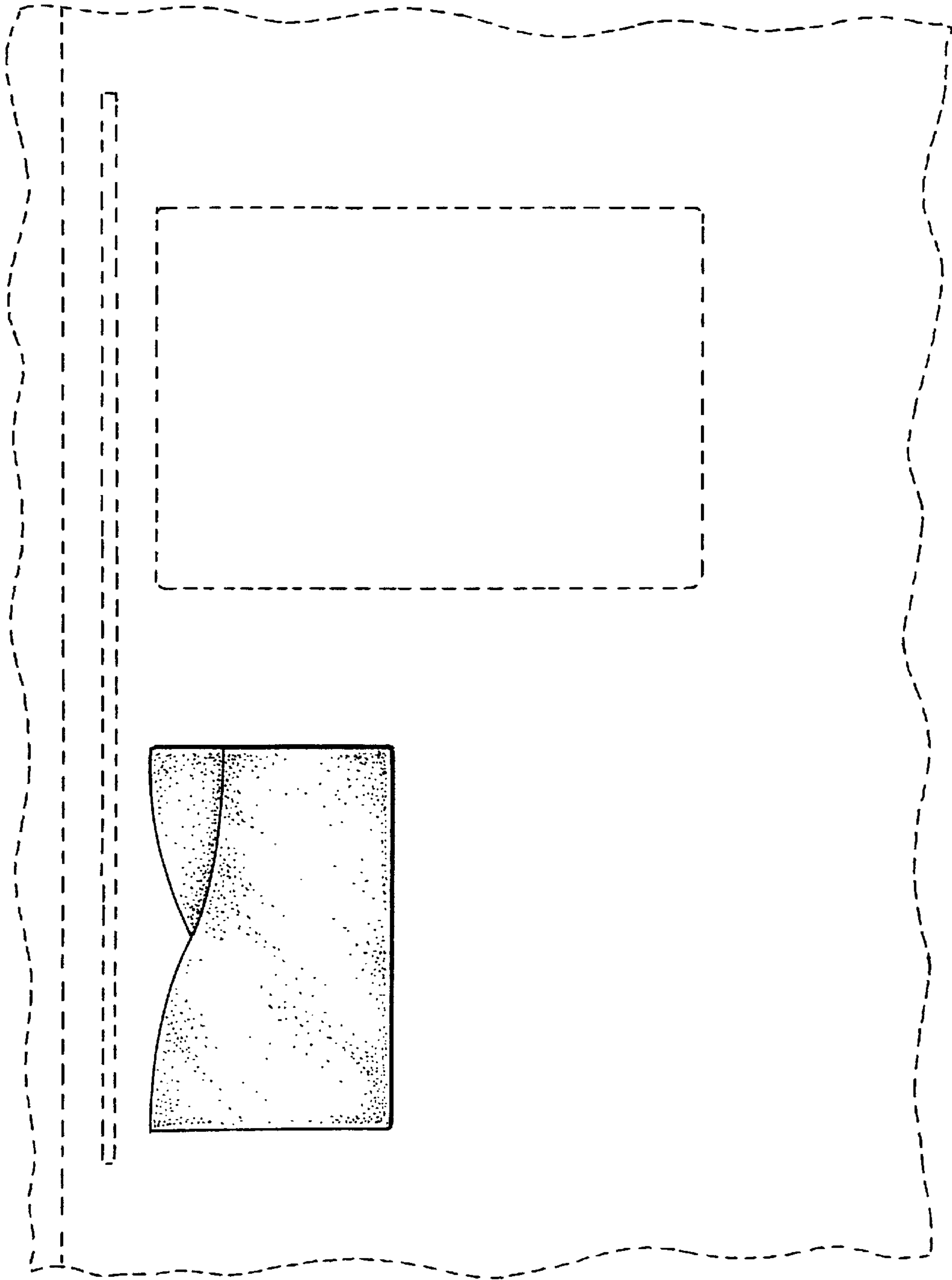


FIG. 3