



US00D446623B1

(12) **United States Design Patent**
Smith

(10) **Patent No.:** **US D446,623 S**

(45) **Date of Patent:** **** Aug. 14, 2001**

(54) **TENSION SUCTION DEVICE**

(75) **Inventor:** **Mark Smith**, P.O. Box 12,
Soulsbyville, CA (US) 95372-0012

(73) **Assignee:** **Mark Smith**, Soulsbyville, CA (US)

(**) **Term:** **14 Years**

(21) **Appl. No.:** **29/120,044**

(22) **Filed:** **Mar. 13, 2000**

(51) **LOC (7) Cl.** **12-05**

(52) **U.S. Cl.** **D34/35**

(58) **Field of Search** D34/35, 28; D13/183;
D8/388; 335/285, 288, 289, 291, 294, 295

(56) **References Cited**

U.S. PATENT DOCUMENTS

D. 123,083	*	10/1940	Guild	D34/35
D. 195,266	*	5/1963	Scott	D34/35
D. 195,267	*	5/1963	Scott	D34/35
D. 246,499	*	11/1977	Poulsen et al.	D8/388
D. 246,500	*	11/1977	Poulsen et al.	D8/388
320,275	*	6/1885	Newman et al.	335/285
D. 337,411	*	7/1993	Smith	D34/35
1,325,914	*	12/1919	Rowell	335/285
1,334,504	*	3/1920	Parker	335/294
1,945,383	*	1/1934	Sauer	335/289
2,220,561	*	11/1940	Ward	335/289
2,366,919	*	1/1945	Lillquist et al.	335/289
2,825,011	*	2/1958	Injeski, Jr.	335/289
2,837,702	*	6/1958	Blind	335/291
3,159,418	*	12/1964	Hansen	335/289

4,112,248	*	9/1978	Leive	335/294
4,185,261	*	1/1980	Nagata	335/291
6,002,317	*	12/1999	Pignataro	335/289
6,069,547	*	5/2000	Sakamoto	335/289
6,076,873	*	6/2000	Jung	335/288

* cited by examiner

Primary Examiner—Cynthia E Ramirez

(74) *Attorney, Agent, or Firm*—Bernhard Kreten

(57) **CLAIM**

The ornamental design for a tension suction device, as shown and described.

DESCRIPTION

FIG. 1 is a perspective view of a tension suction device showing my new design.

FIG. 2 is a rear view of one of the suctioning elements of the claimed design; the central bar and the other suctioning element are not shown for convenience of illustration;

FIG. 3 is a front view of a tension suction device shown in FIG. 1, the rear being a mirror image;

FIG. 4 is a top view thereof.

FIG. 5 is a side view thereof.

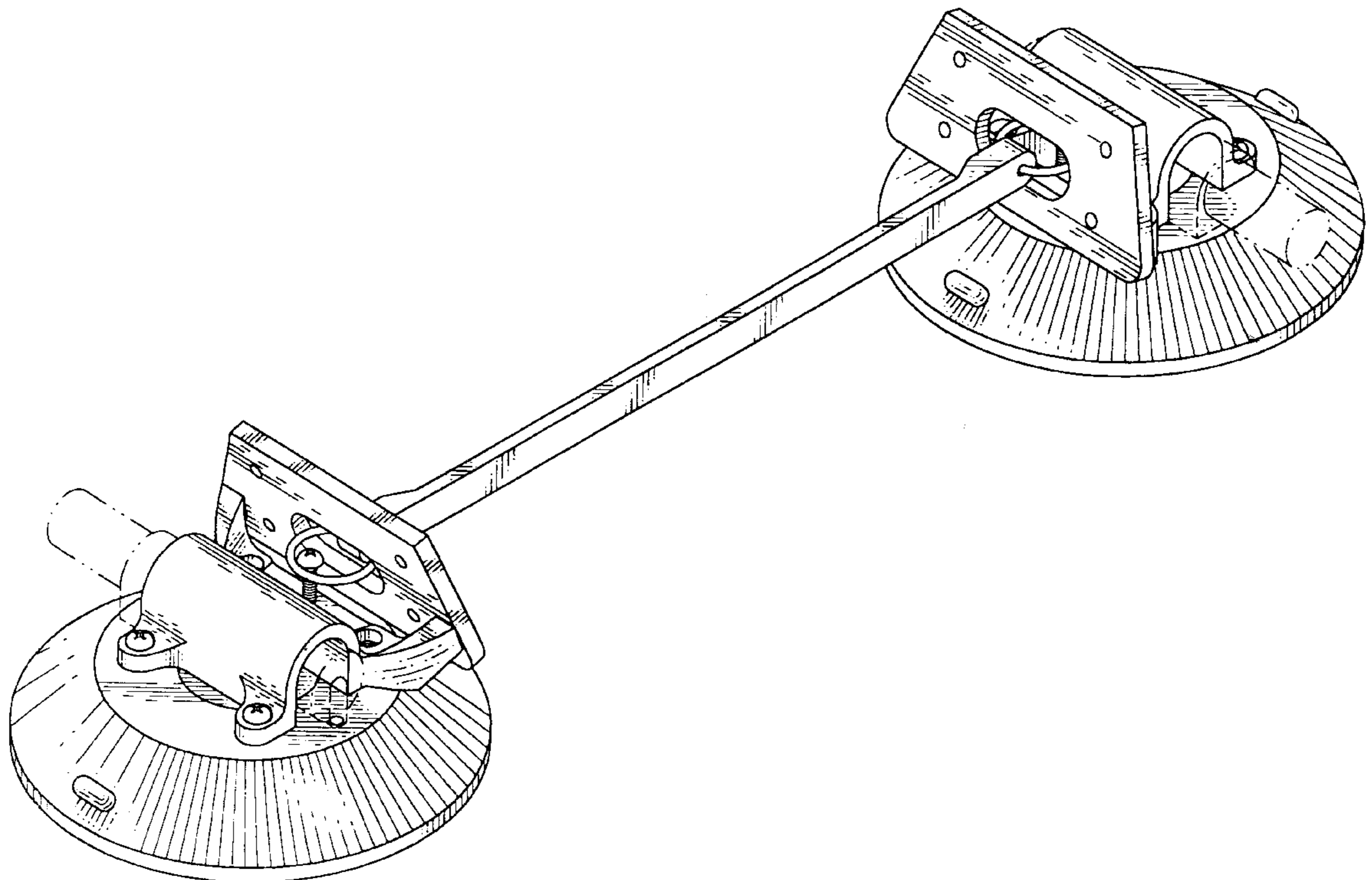
FIG. 6 is an opposite side view thereof; and,

FIG. 7 is a bottom view thereof.

The broken-line showing of environmental structure in FIG. 1 is for illustrative purposes only and forms no part of the claimed design.

The center bar is shown broken away in FIGS. 4 through 7 for convenience of illustration.

1 Claim, 3 Drawing Sheets



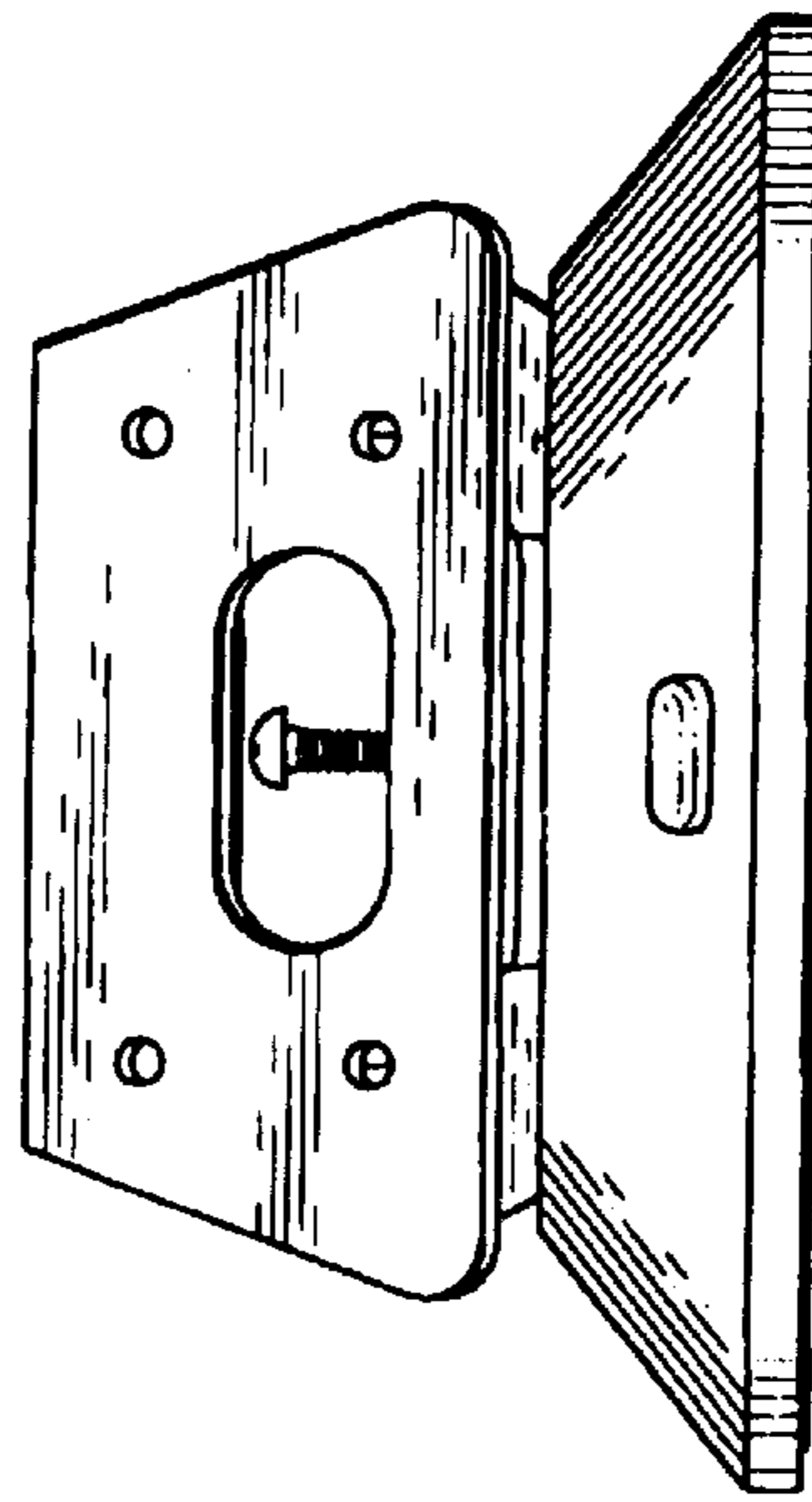
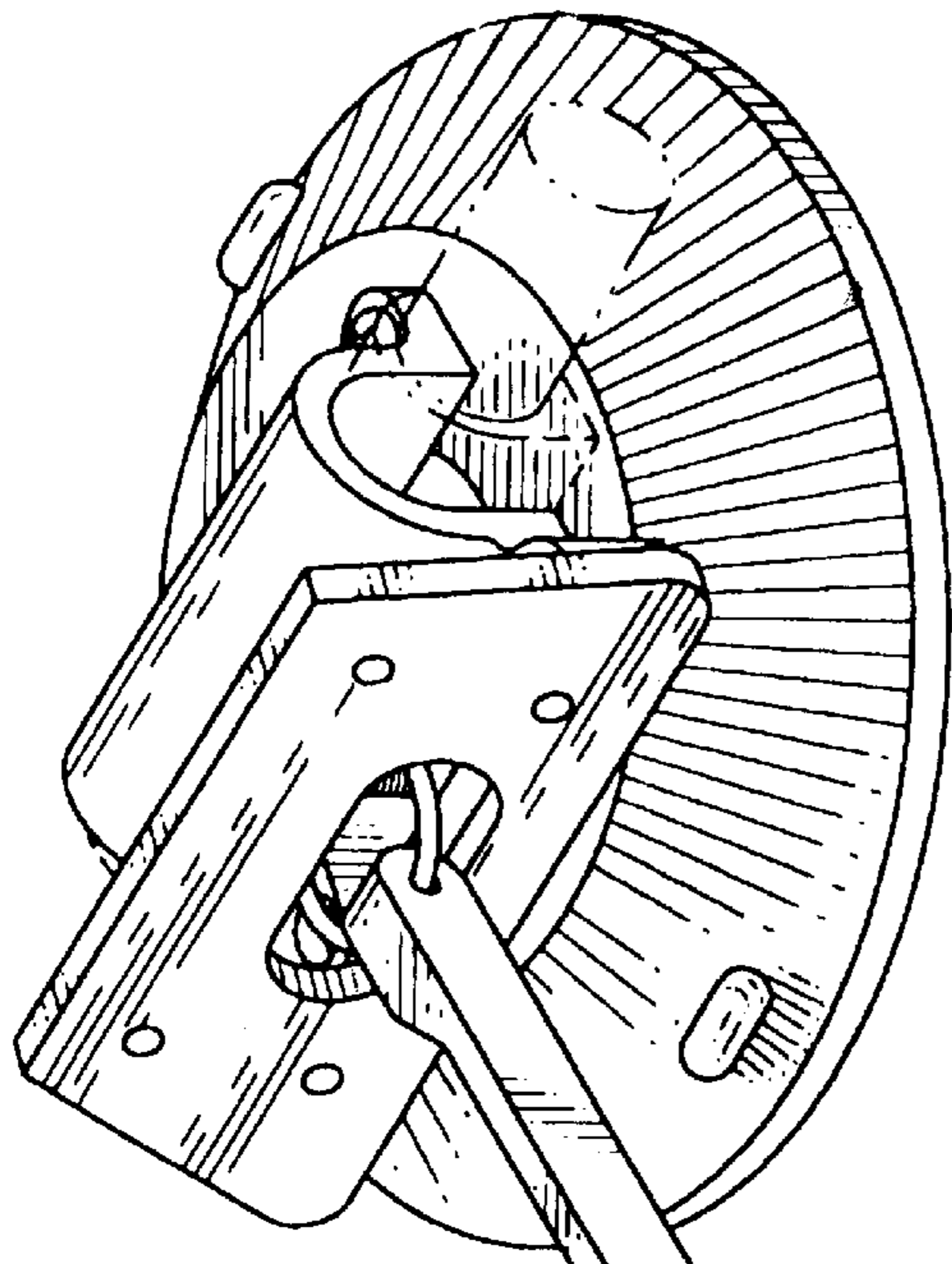


Fig. 2

Fig. 1

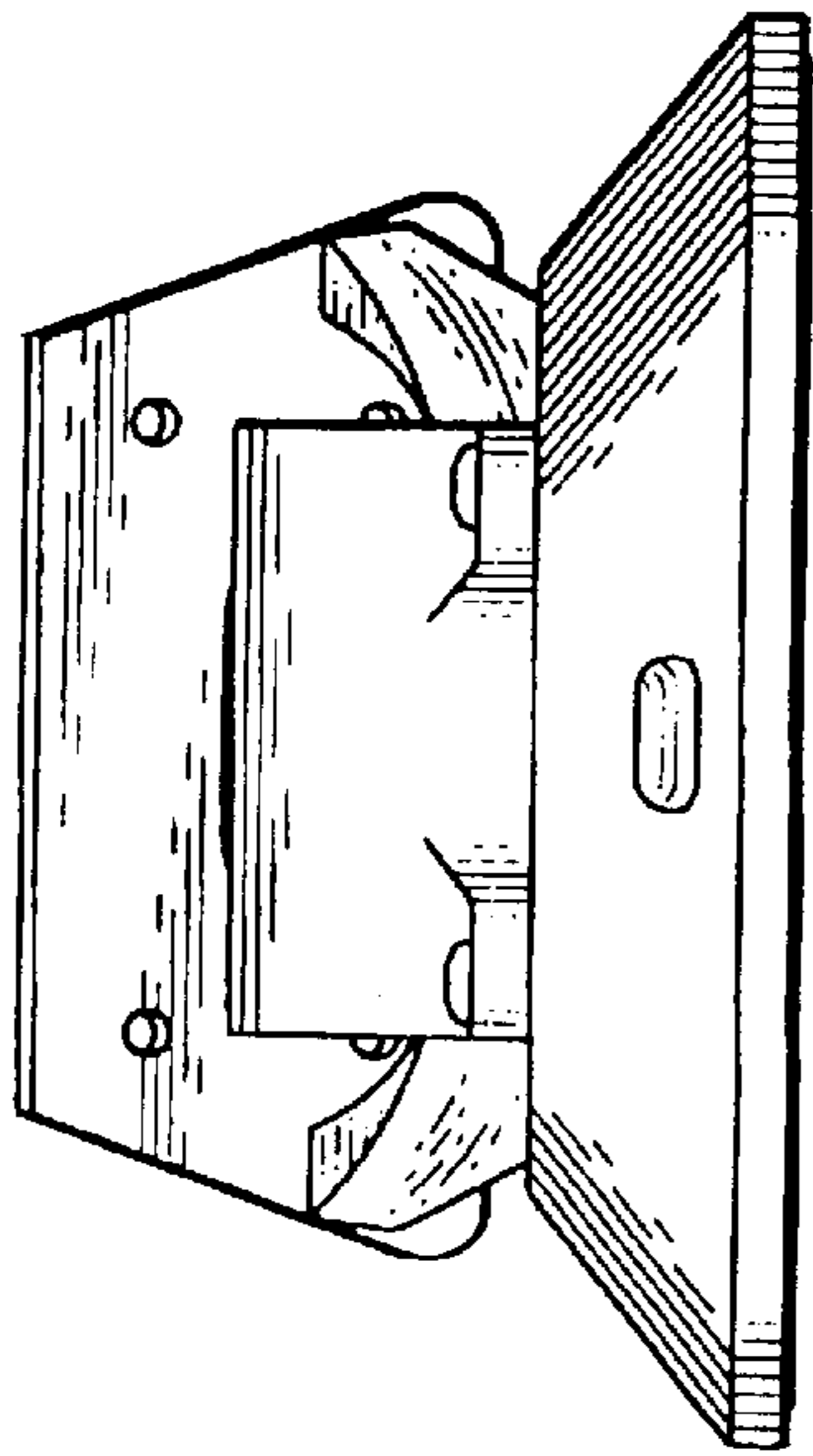
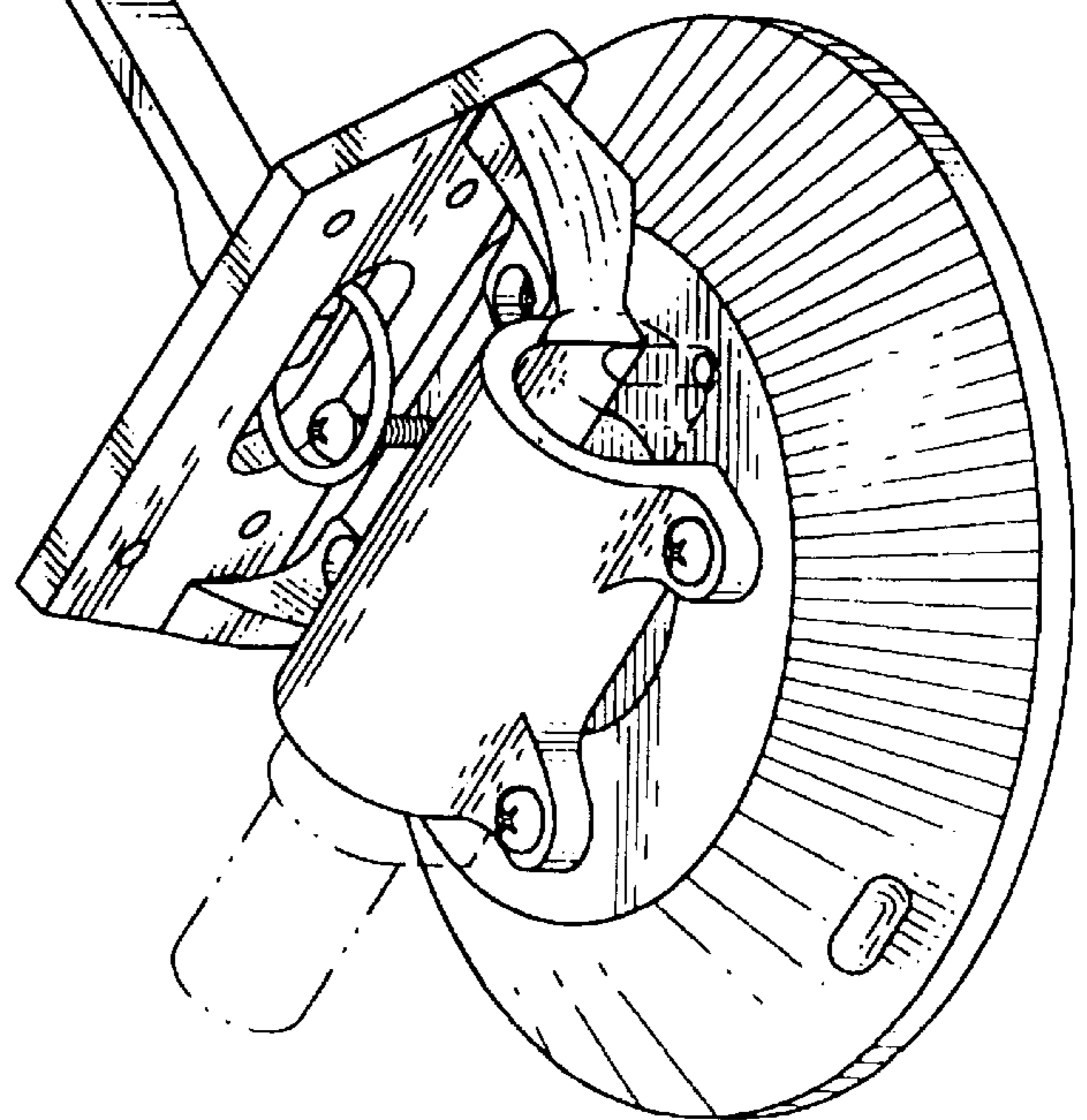


Fig. 3



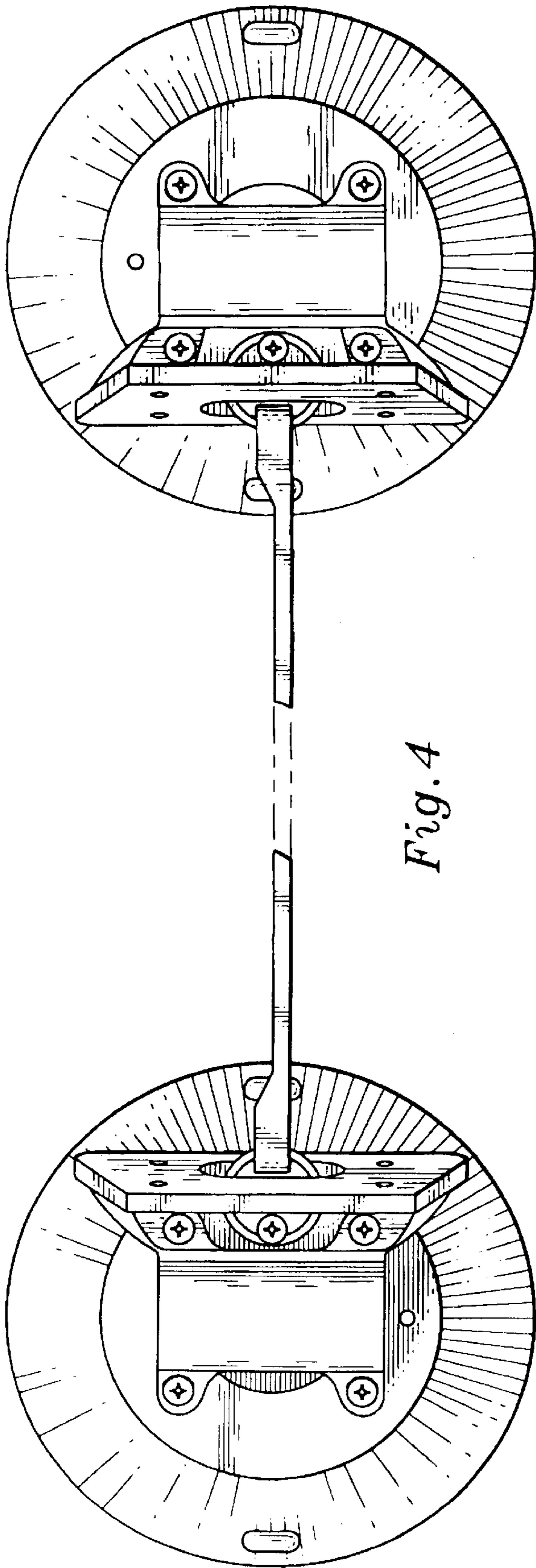


Fig. 4

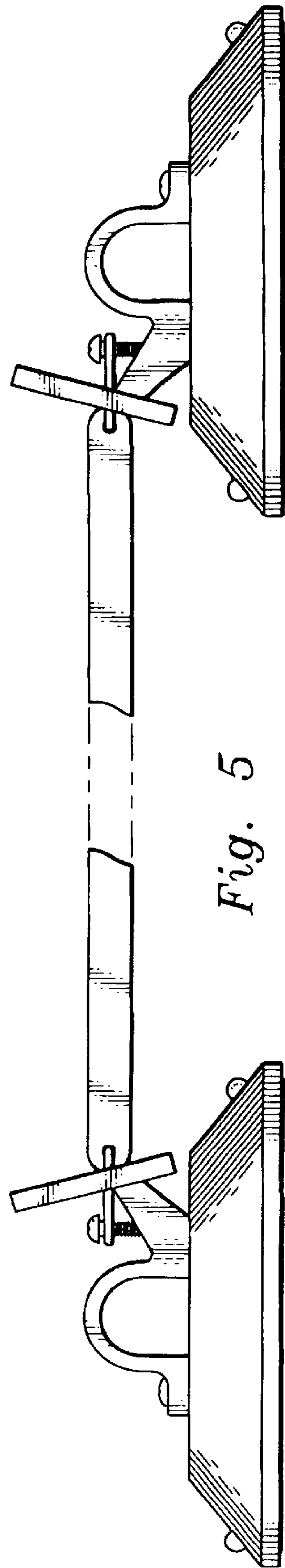


Fig. 5

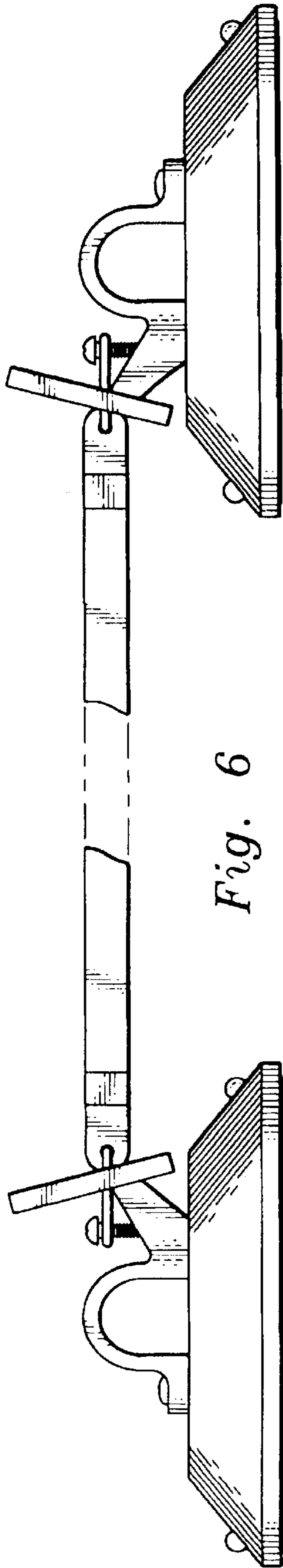


Fig. 6

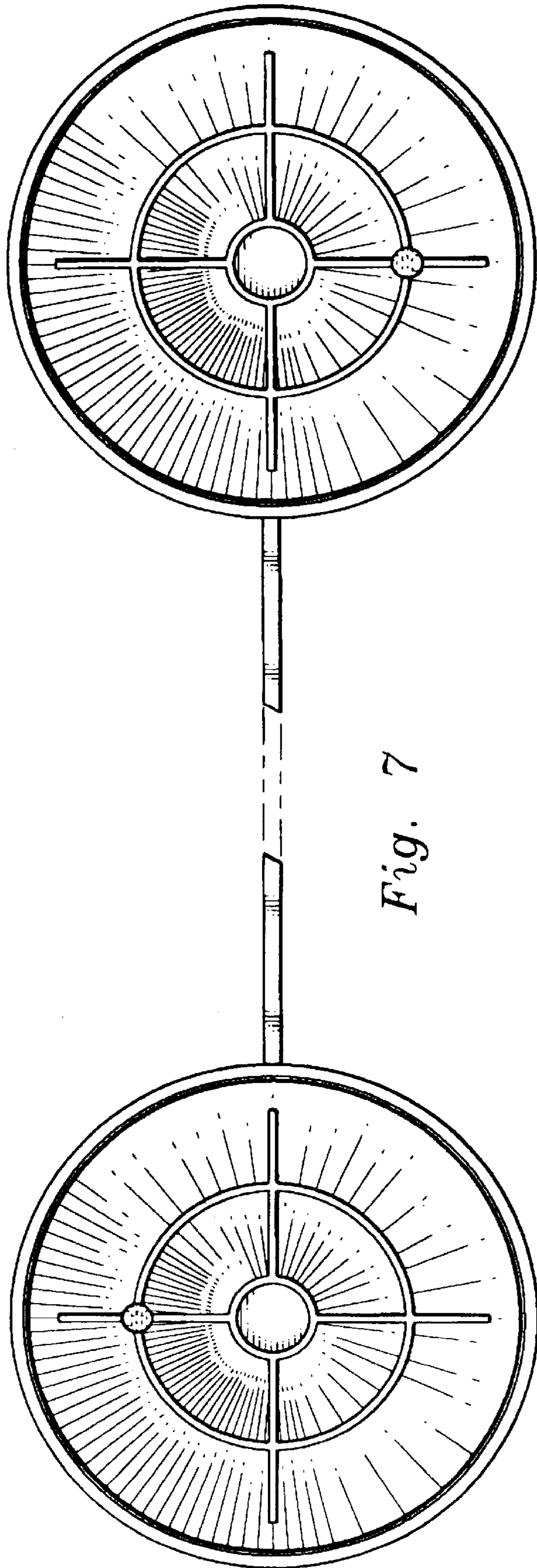


Fig. 7