



US00D446622B1

(12) **United States Design Patent**
Gaffney et al.

(10) **Patent No.:** **US D446,622 S**

(45) **Date of Patent:** **** Aug. 14, 2001**

- (54) **FRAME MEMBER FOR CART**
- (75) Inventors: **Thomas E. Gaffney; Stephen R. Straus**, both of Sheboygan, WI (US)
- (73) Assignee: **The Vollrath Company, L.L.C.**, Sheboygan, WI (US)
- (**) Term: **14 Years**
- (21) Appl. No.: **29/114,135**
- (22) Filed: **Nov. 18, 1999**

Related U.S. Application Data

- (62) Division of application No. 29/099,232, filed on Jan. 18, 1999, now Pat. No. Des. 423,177.
- (51) **LOC (7) Cl.** **12-02**
- (52) **U.S. Cl.** **D34/27**
- (58) **Field of Search** D34/12-27; 280/79.11, 280/79.2, 79.3, 33.991, 47.34, 47.35; 108/59, 51.1, 53.1, 144, 153; 211/150, 149

(56) **References Cited**

U.S. PATENT DOCUMENTS

D. 362,528 * 9/1995 Shannon et al. D34/21

- D. 363,590 * 10/1995 Kazmerchek et al. D34/21
- D. 423,177 * 4/2000 Gaffney et al. D34/27
- 3,827,573 * 8/1974 Guerette 211/149
- 4,793,497 * 12/1988 Hall et al. 211/150
- 4,895,382 * 1/1990 Andersson 280/33.991
- 5,280,933 * 1/1994 Flanneyfrock 280/47.34

* cited by examiner

Primary Examiner—Kay H. Chin
(74) *Attorney, Agent, or Firm*—Foley & Lardner

(57) **CLAIM**

We claim the ornamental design for a frame member for a cart, as shown and described.

DESCRIPTION

FIG. 1 is a top and front perspective view of a frame member for a cart showing our new design;
 FIG. 2 is a front elevational view thereof;
 FIG. 3 is a top plan view thereof;
 FIG. 4 is a bottom plan view thereof;
 FIG. 5 is a left side elevational view thereof; and,
 FIG. 6 is a right side elevational view thereof.

The broken lines showing a cart and portions of a frame member for the cart in FIGS. 1-6 are for illustrative purposes only and form no part of the claimed design.

1 Claim, 3 Drawing Sheets

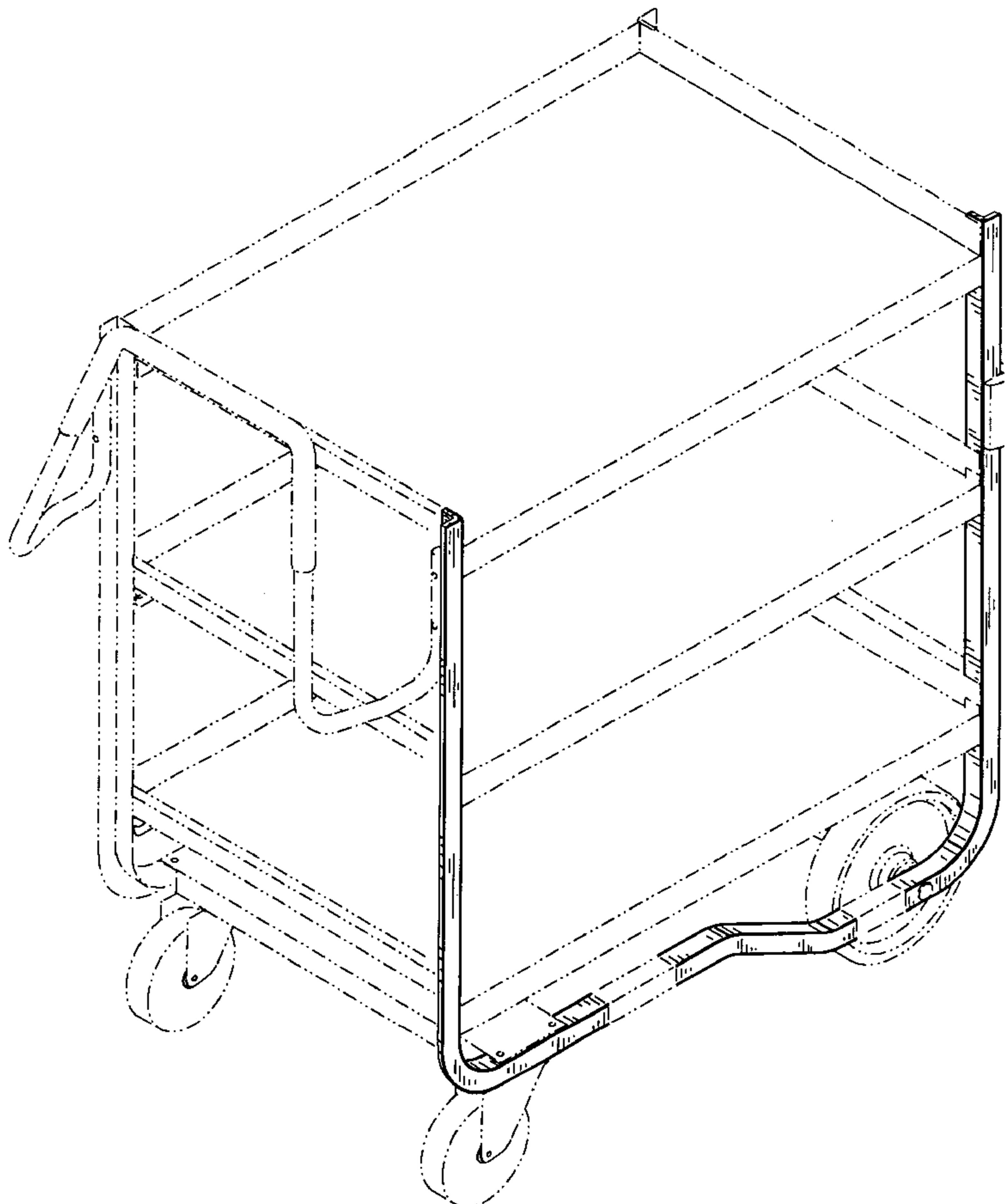


FIG. 1

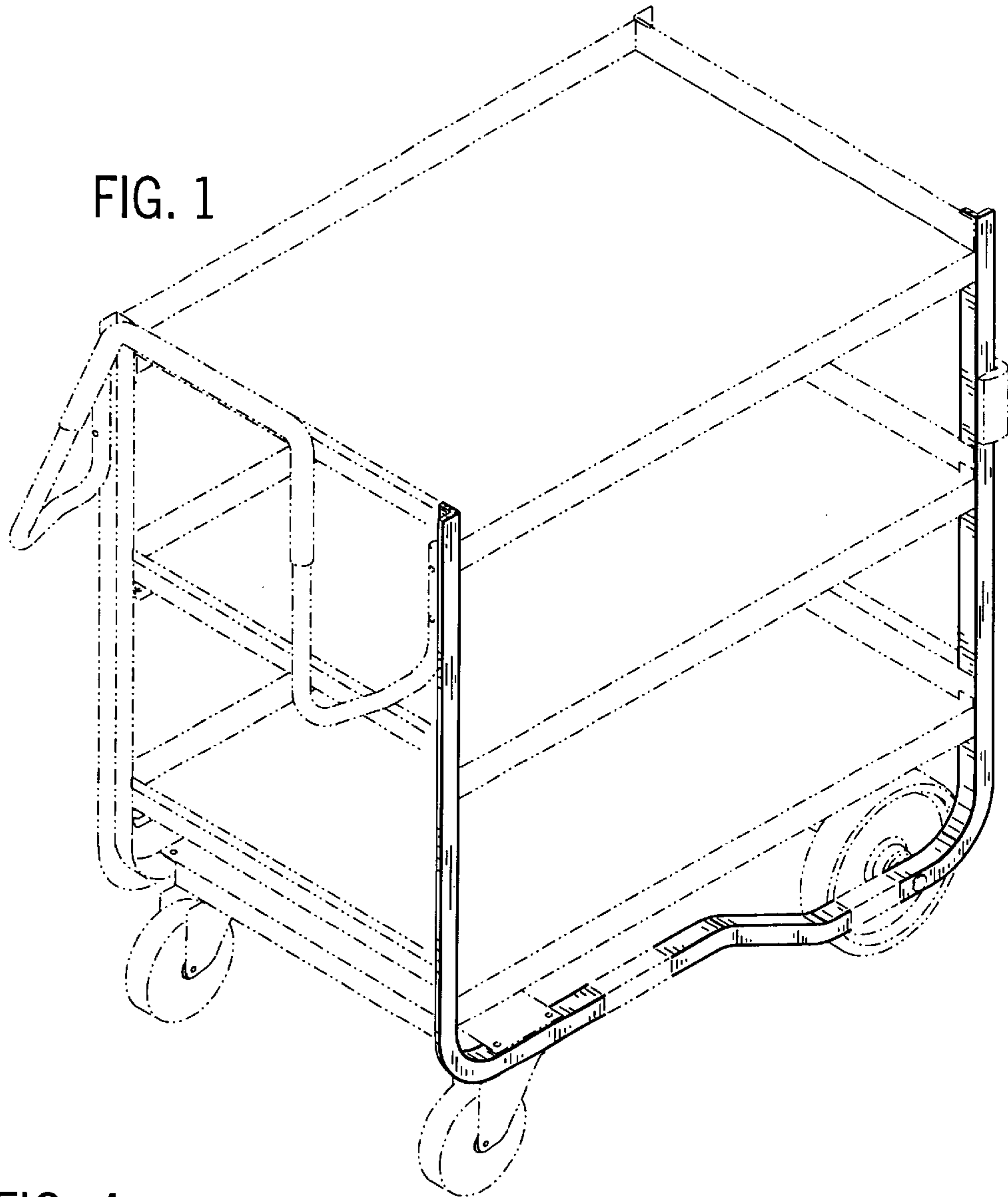


FIG. 4

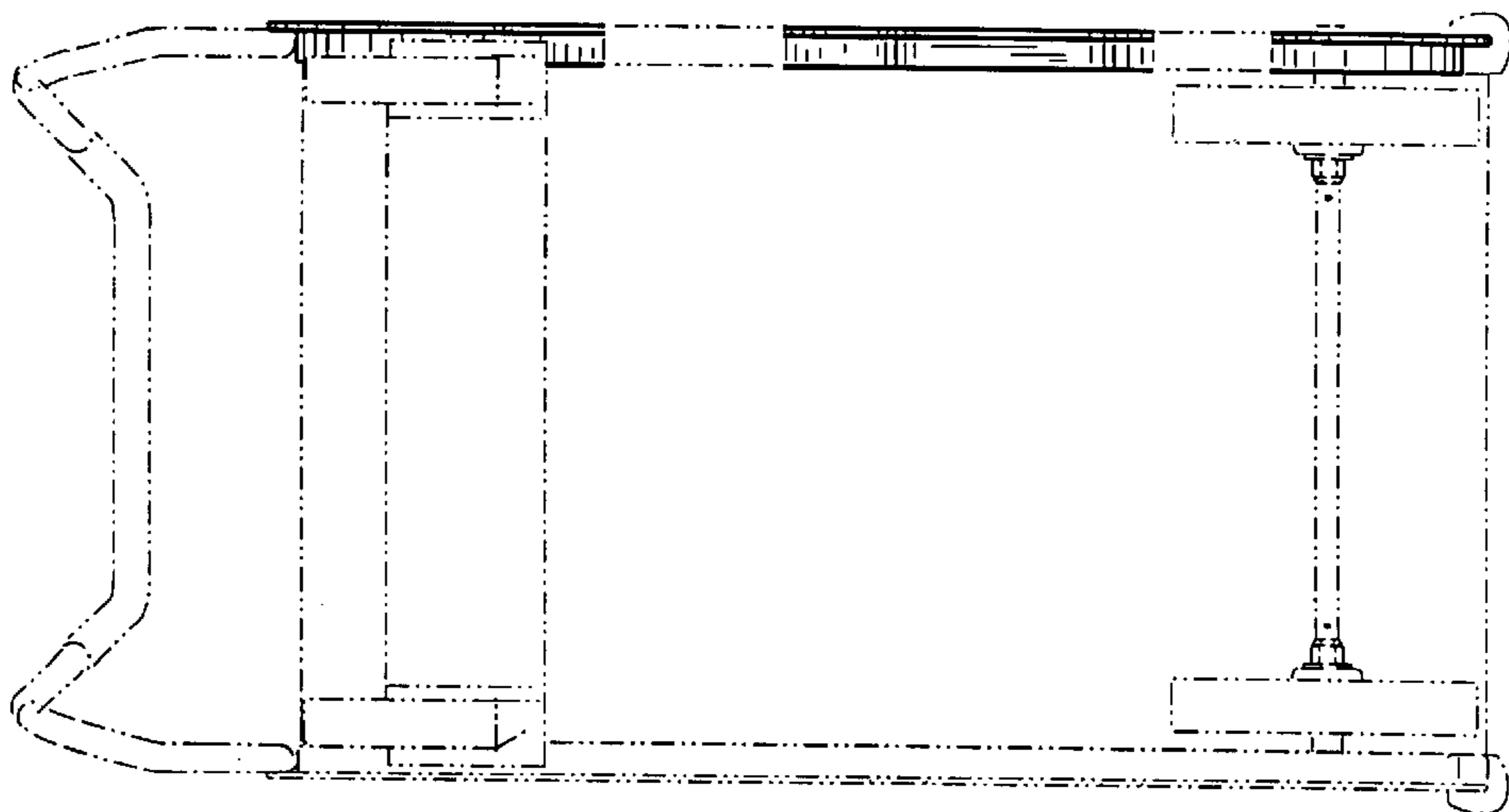


FIG. 2

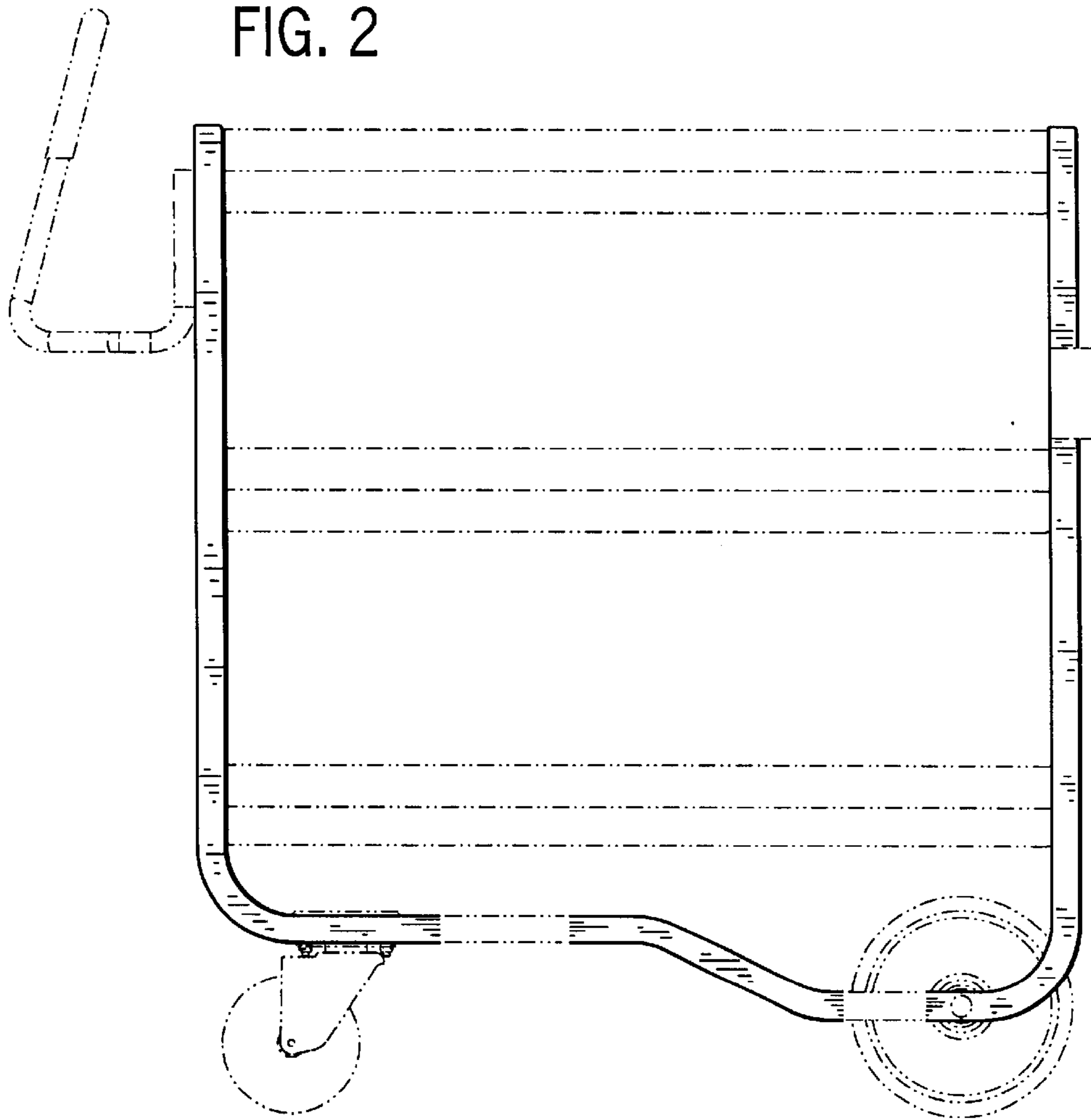
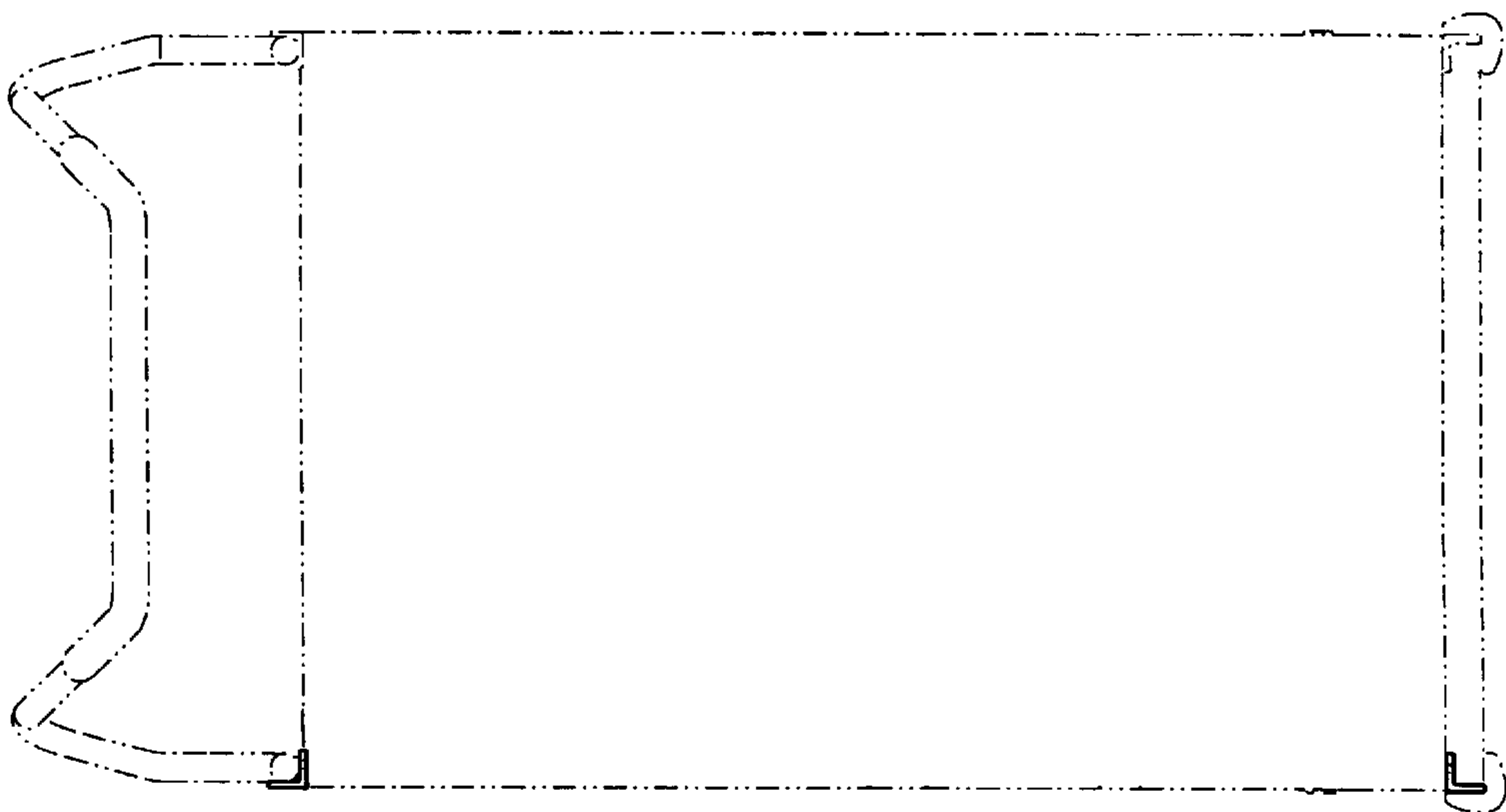


FIG. 3



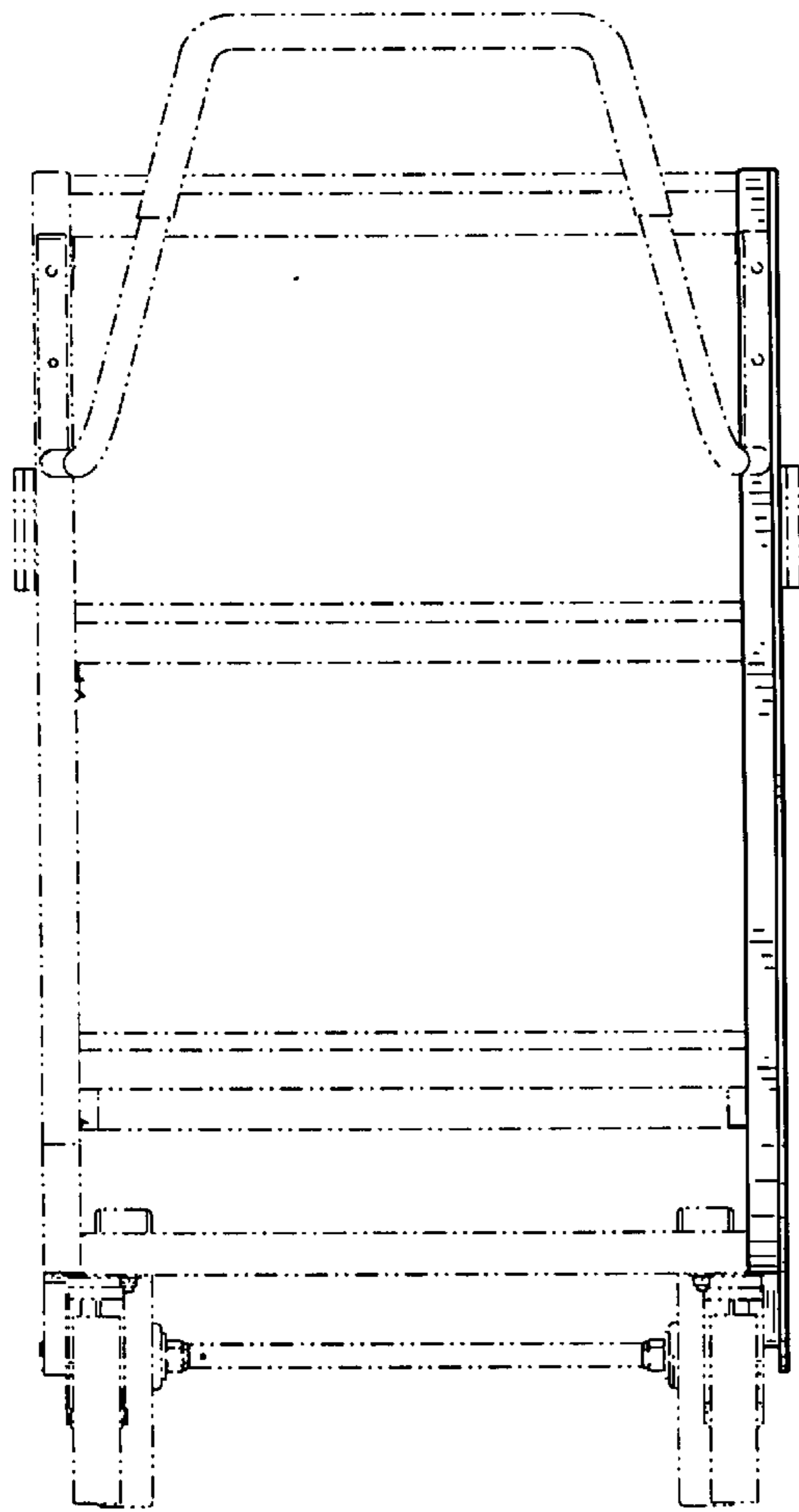


FIG. 5

FIG. 6

