



US00D446621B1

(12) **United States Design Patent**
Schier

(10) **Patent No.:** **US D446,621 S**

(45) **Date of Patent:** **** Aug. 14, 2001**

(54) **GARDEN CART**

6,086,073 * 7/2000 Tisbo et al. 280/47.26

(76) Inventor: **Joseph Schier**, 16 Tiger Rd., Hudson,
NH (US) 03051

* cited by examiner

(**) Term: **14 Years**

Primary Examiner—Kay H. Chin

(74) *Attorney, Agent, or Firm*—John P. Costello

(21) Appl. No.: **29/129,279**

(57) **CLAIM**

(22) Filed: **Sep. 11, 2000**

The ornamental design for a garden cart, as shown.

(51) **LOC (7) Cl.** **12-02**

DESCRIPTION

(52) **U.S. Cl.** **D34/24; D34/12**

FIG. 1 is a front perspective view of a garden cart showing my new design;

(58) **Field of Search** D34/12-27; 280/47.19,
280/47.26, 47.33, 47.35, 47.371, 79.2

FIG. 2 is a front elevational view thereof;

FIG. 3 is a rear elevational view thereof;

FIG. 4 is a right side elevational view thereof;

FIG. 5 is a left side elevational view thereof;

FIG. 6 is a top plan view thereof; and,

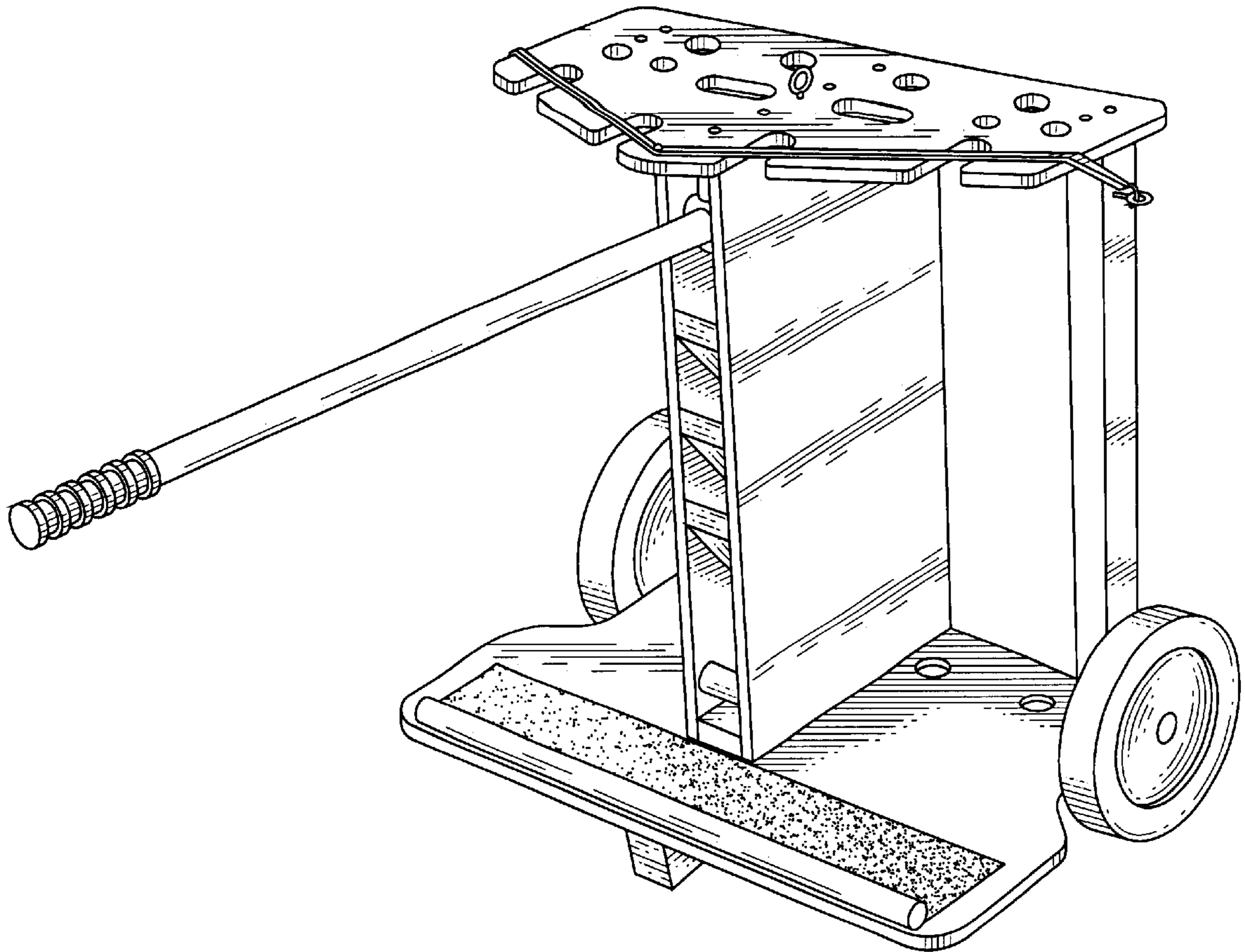
FIG. 7 is a bottom plan view thereof.

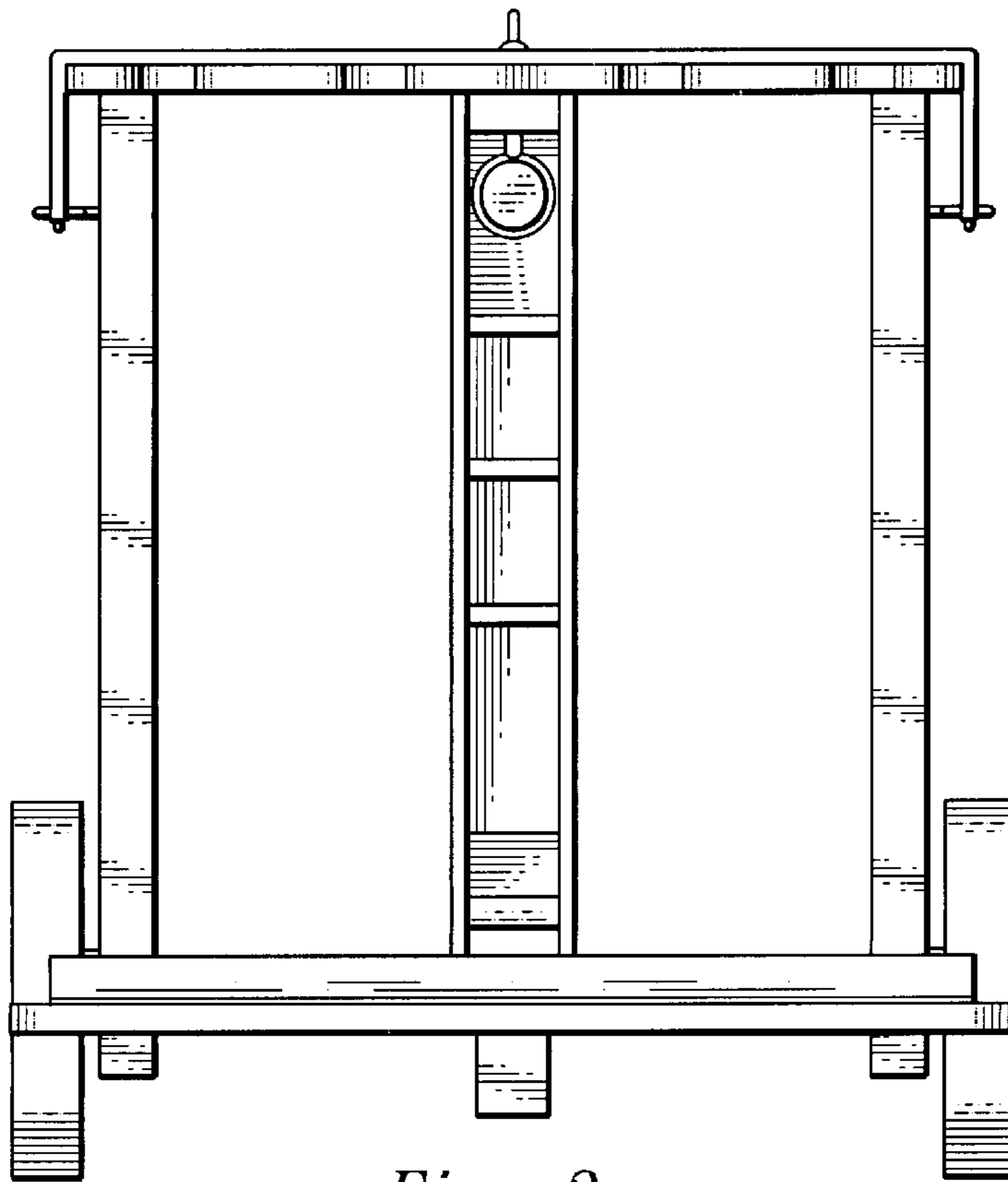
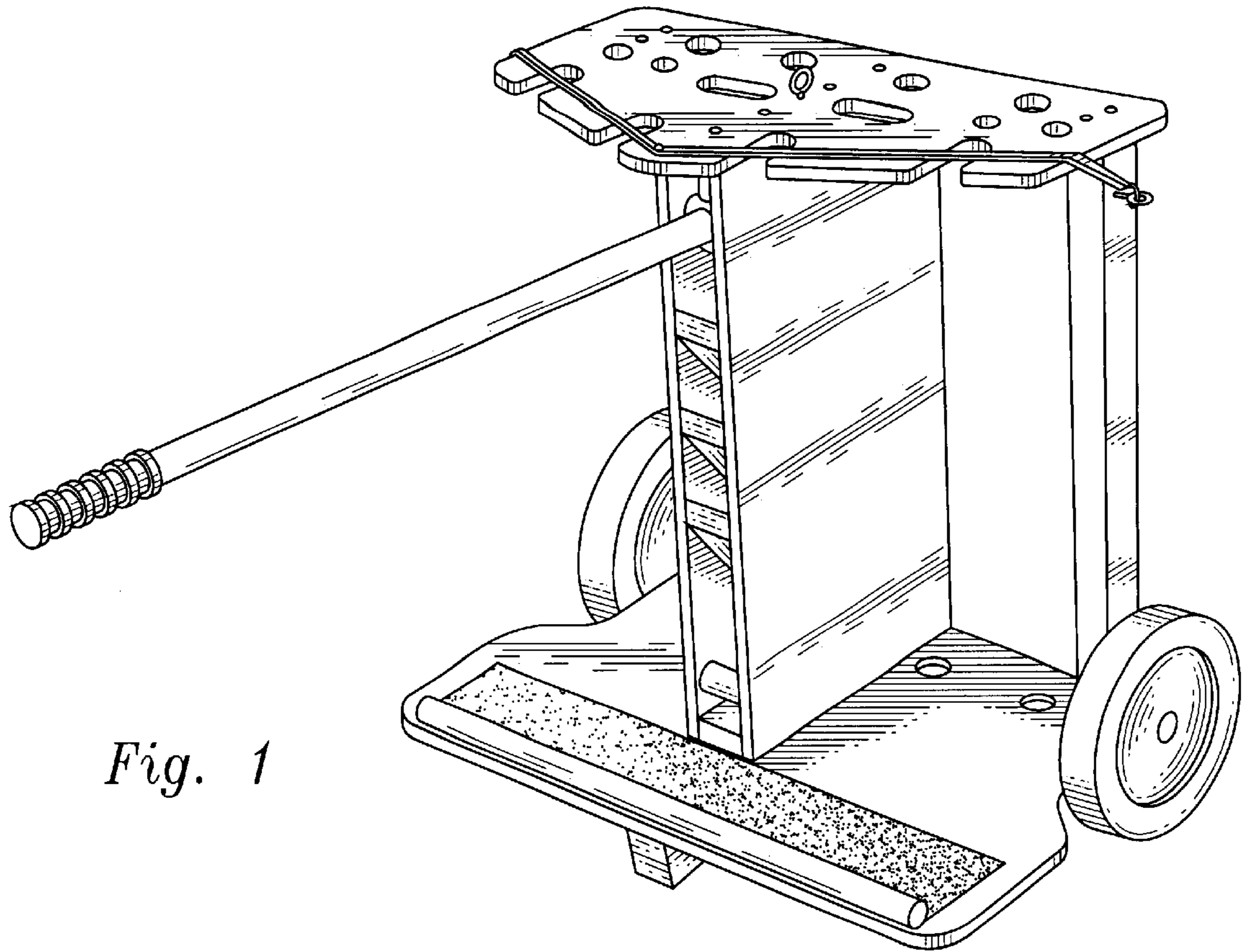
(56) **References Cited**

U.S. PATENT DOCUMENTS

- D. 208,299 * 8/1967 Clark D34/25
- D. 208,536 * 9/1967 Clark D34/25
- 5,833,250 * 11/1998 Schier et al. 280/47.19
- 5,887,878 * 3/1999 Tisbo et al. 280/47.19

1 Claim, 4 Drawing Sheets





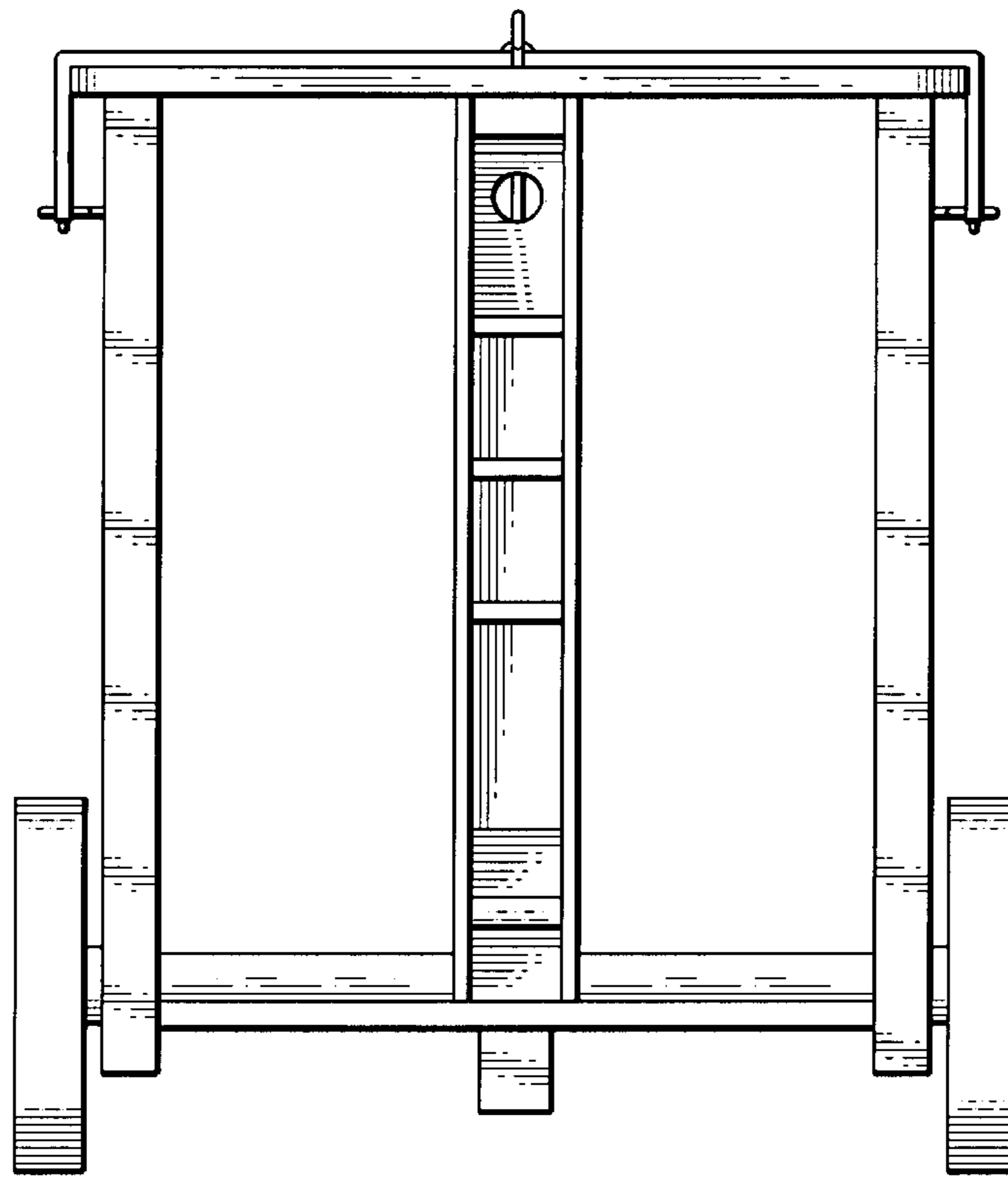


Fig. 3

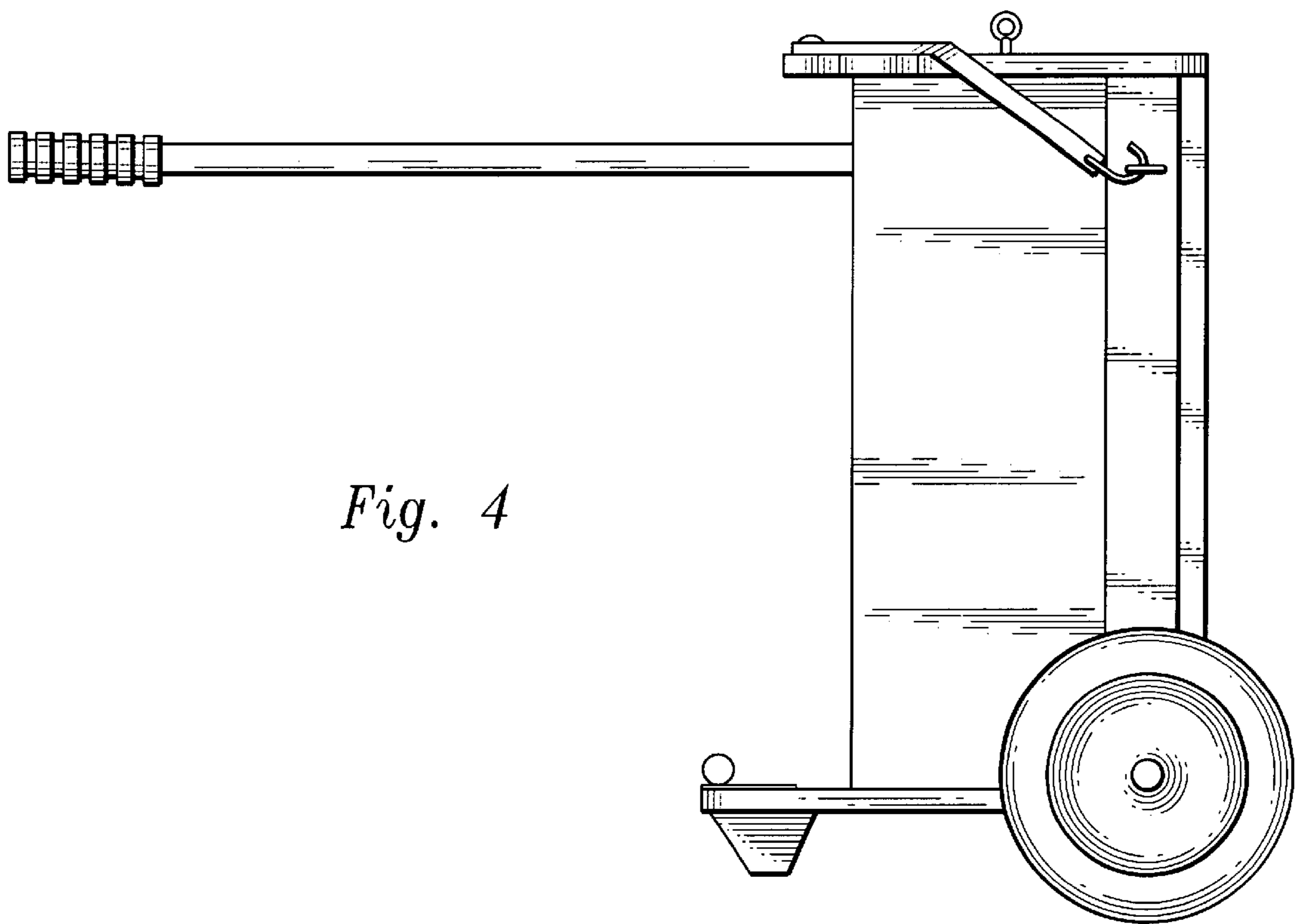


Fig. 4

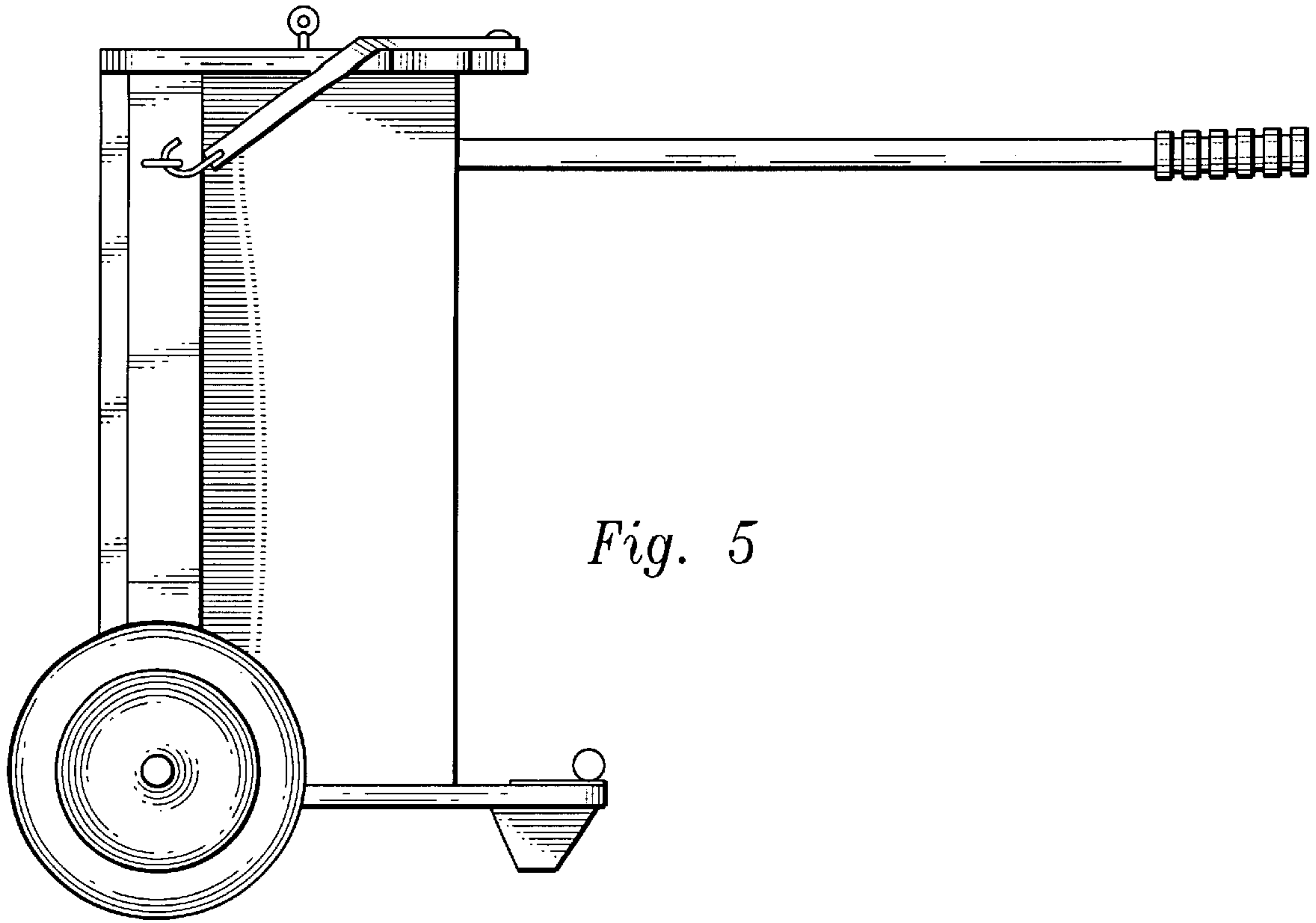


Fig. 5

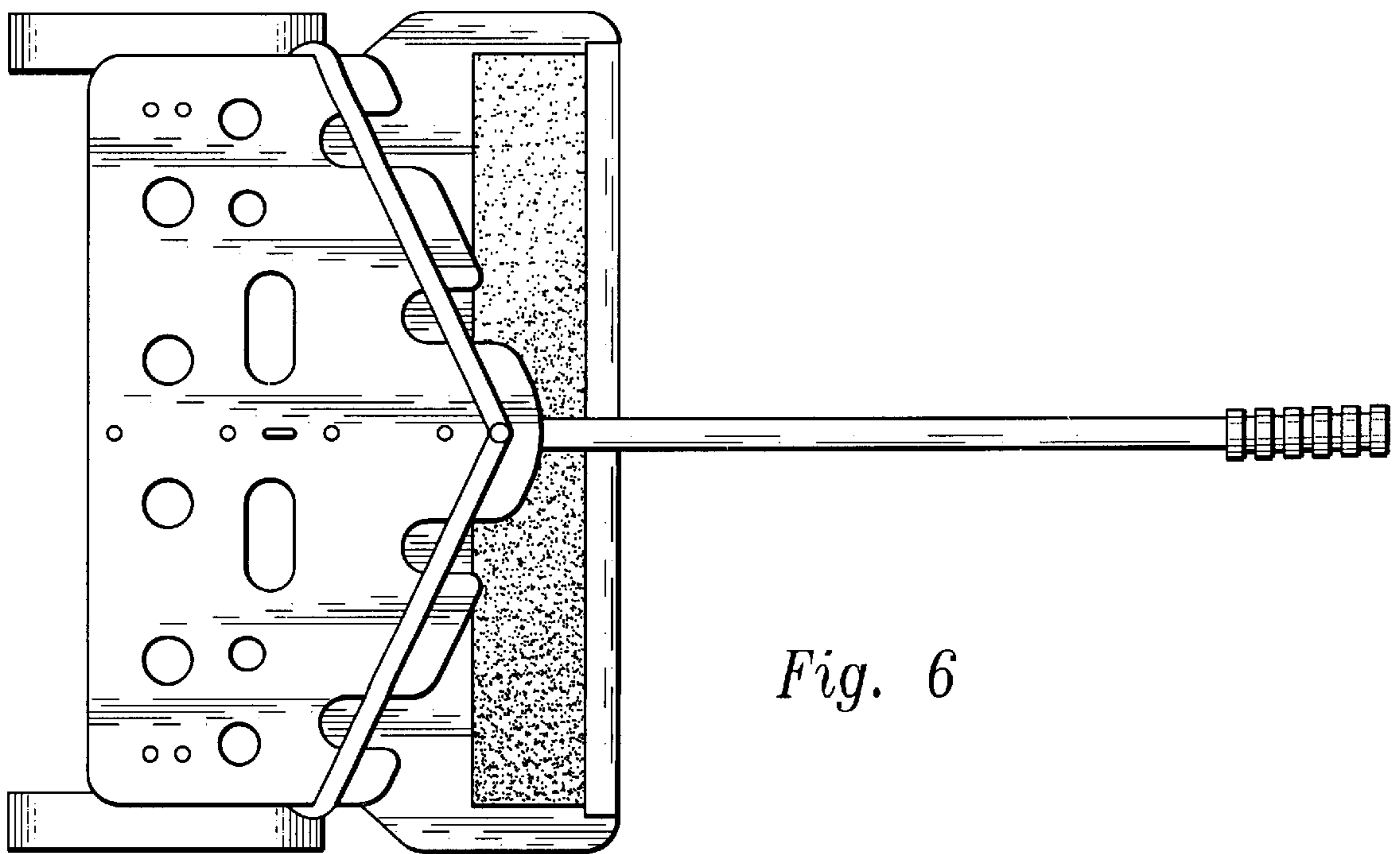


Fig. 6

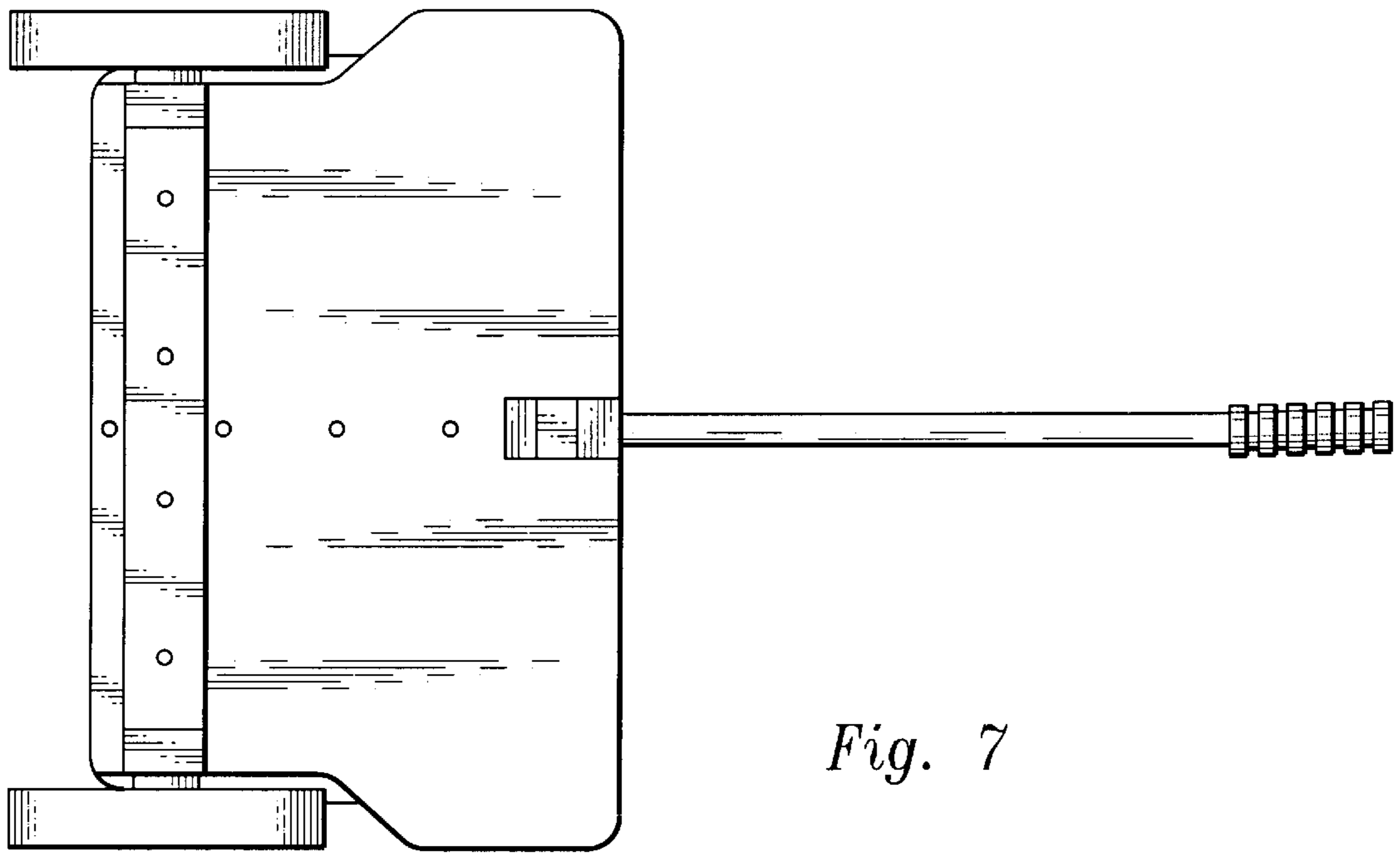


Fig. 7