



US00D446620B1

(12) **United States Design Patent**
Liao

(10) **Patent No.:** **US D446,620 S**

(45) **Date of Patent:** **** Aug. 14, 2001**

(54) **GOLF CART**

6,126,184 * 10/2000 Liao 280/43.371
6,152,463 * 11/2000 Wu 280/47.17

(75) Inventor: **Gordon Liao, Yung Kang (TW)**

* cited by examiner

(73) Assignee: **Unique Product & Design Co., Ltd.,
Tainan Hsien (TW)**

Primary Examiner—Kay H. Chin

(**) Term: **14 Years**

(74) *Attorney, Agent, or Firm*—Pro-Techtor International
Services

(21) Appl. No.: **29/133,220**

(57) **CLAIM**

(22) Filed: **Nov. 24, 2000**

The ornamental design for a golf cart, as shown and
described.

(51) **LOC (7) Cl.** **12-02**

DESCRIPTION

(52) **U.S. Cl.** **D34/15**

(58) **Field of Search** D34/12-27; D12/16;
280/DIG. 5, DIG. 6, 62, 47.19, 47.26, 47.17,
47.18, 47.24, 30, 40, 41; 180/19.3, 19.1,
65.6

FIG. 1 is a perspective view of a golf cart showing my new
design;

FIG. 2 is a right side elevational view thereof;

FIG. 3 is a top plan view thereof;

FIG. 4 is a front elevational view thereof;

FIG. 5 is a bottom plan view thereof;

FIG. 6 is a left side elevational view thereof;

FIG. 7 is a rear elevational view thereof; and,

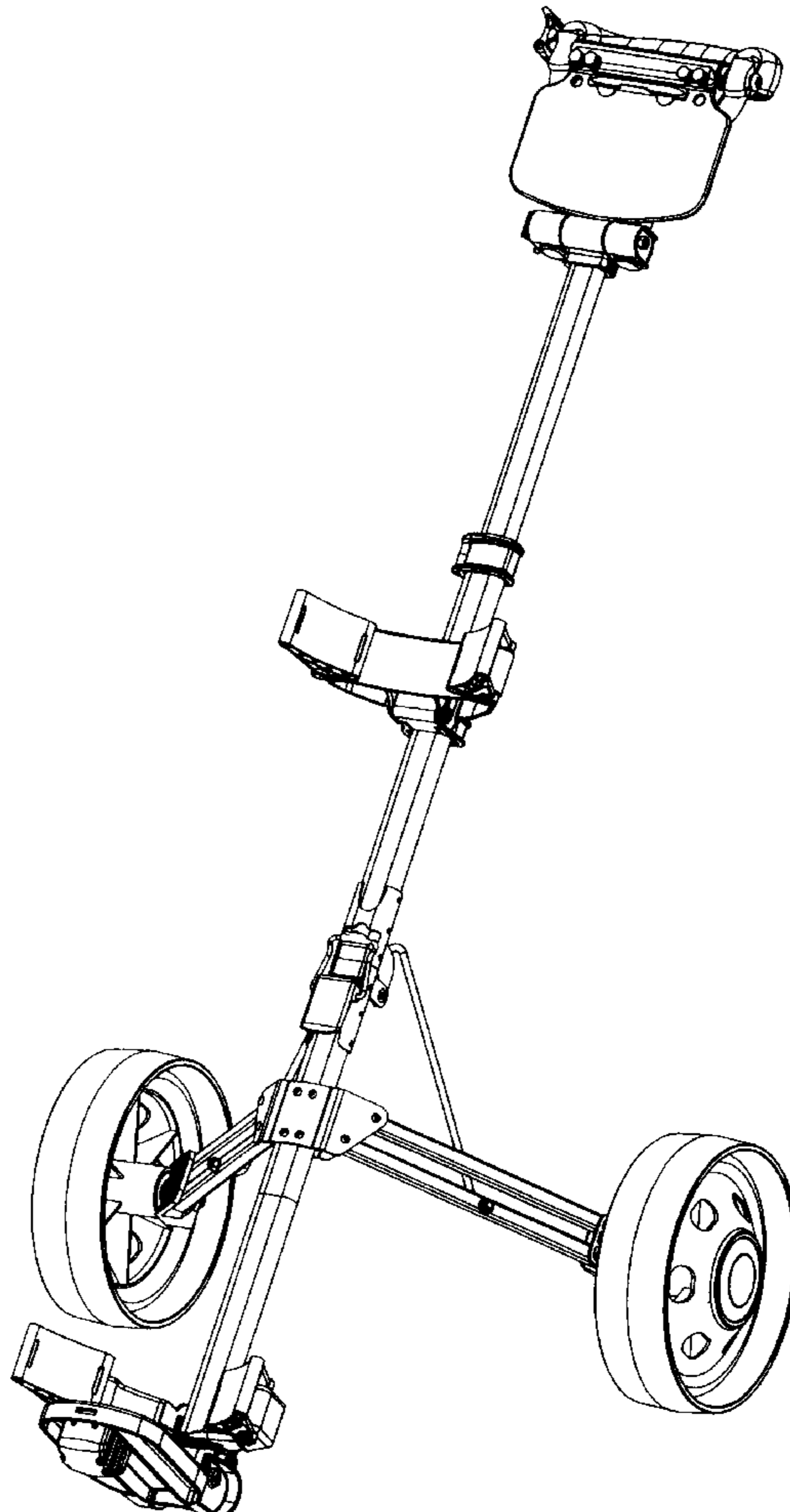
FIG. 8 is a perspective view showing my new design in
folded condition.

(56) **References Cited**

U.S. PATENT DOCUMENTS

D. 391,731 * 3/1998 Wu D34/15
4,913,460 * 4/1990 Klein 280/646
5,897,129 * 4/1999 Wu 280/646
6,079,718 * 6/2000 Liao 280/47.26

1 Claim, 8 Drawing Sheets



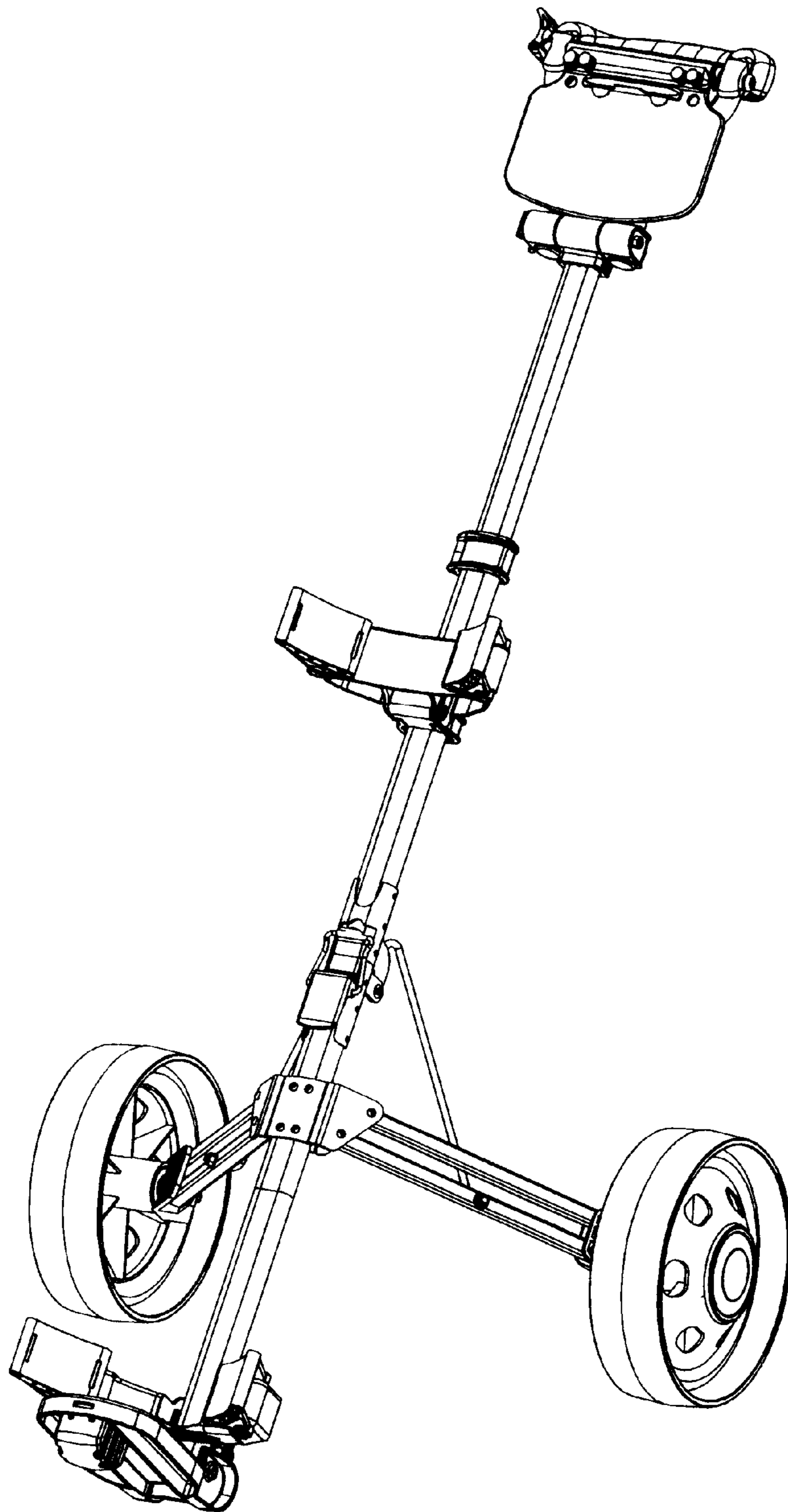


FIG. 1

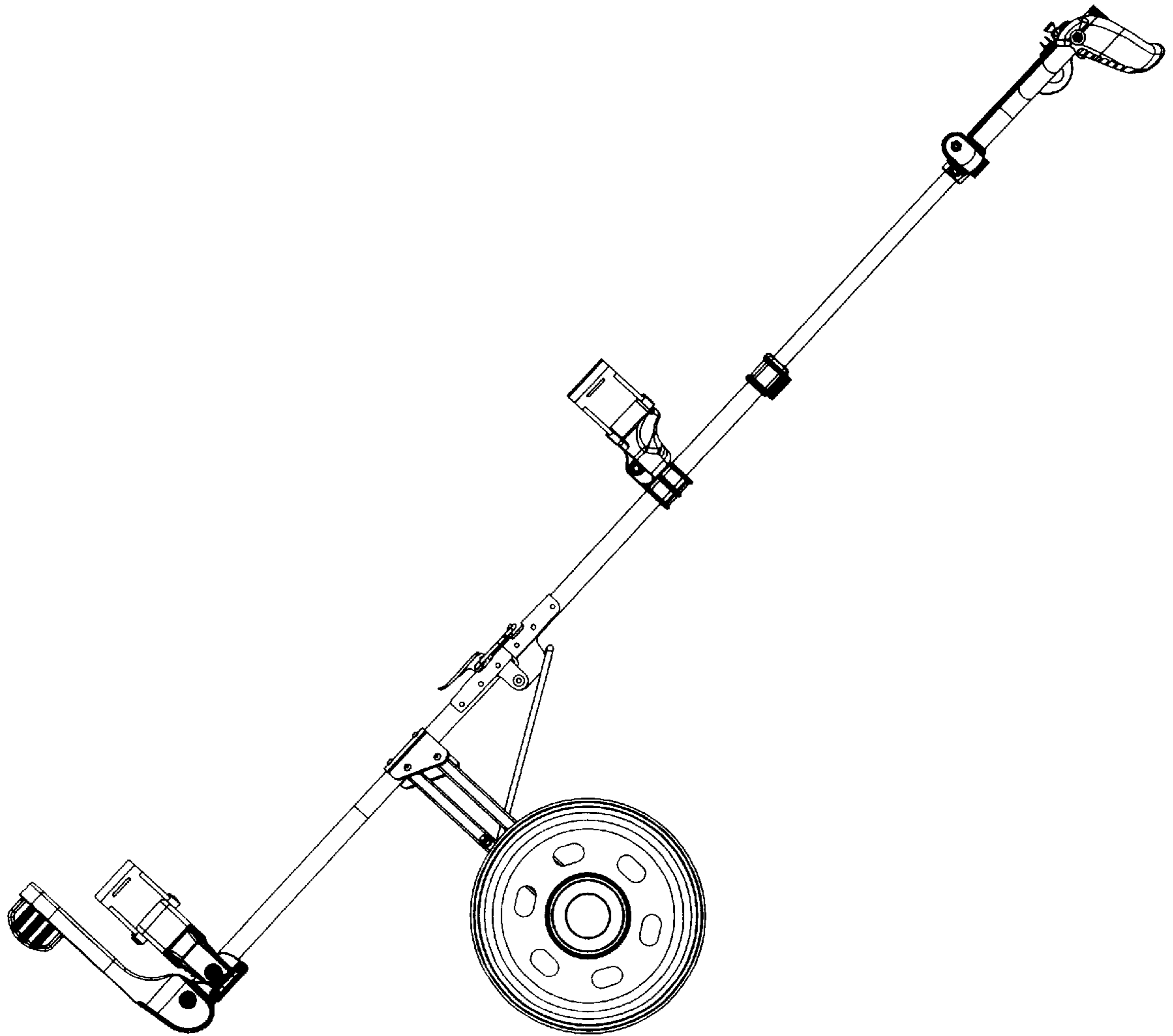


FIG. 2

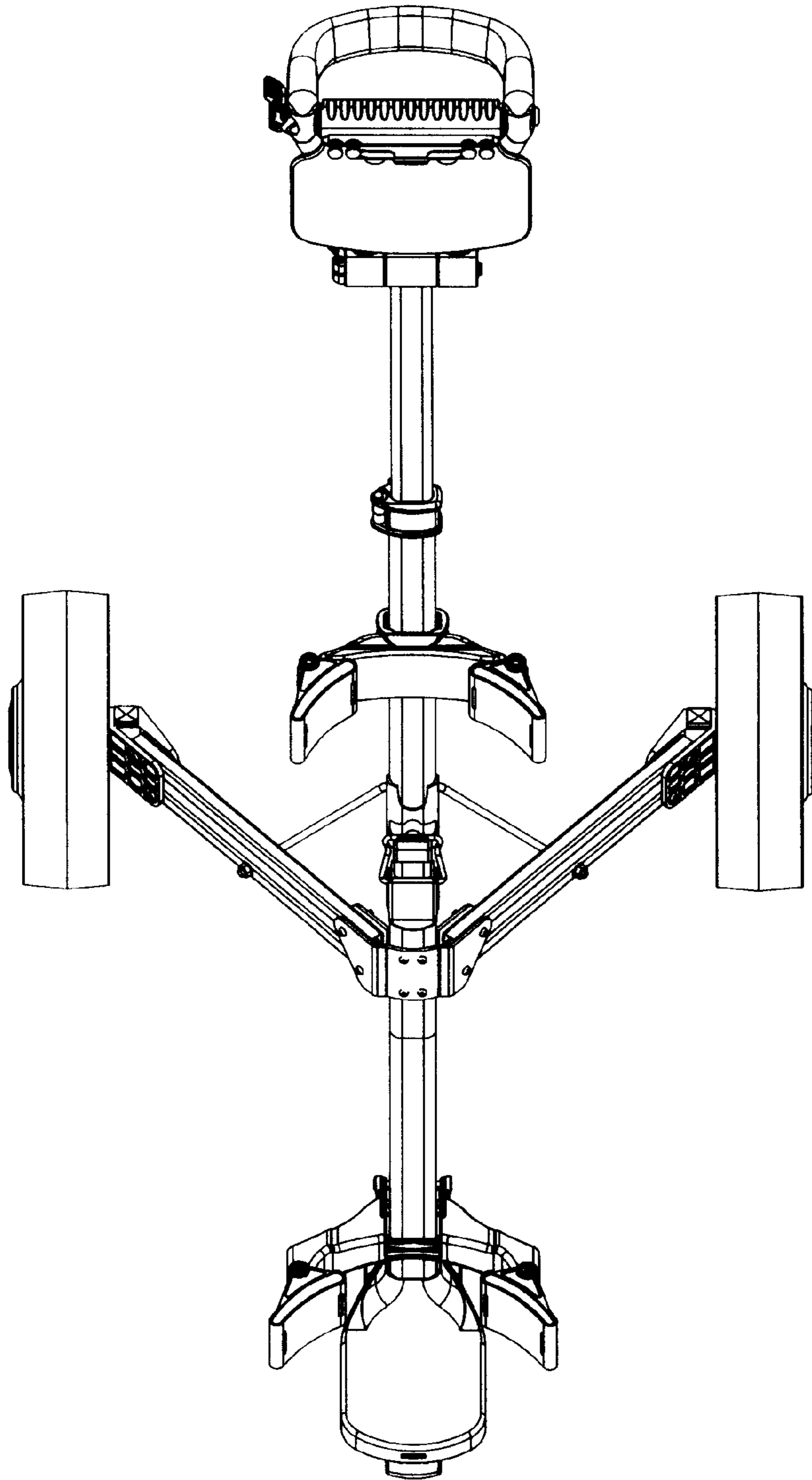


FIG. 3

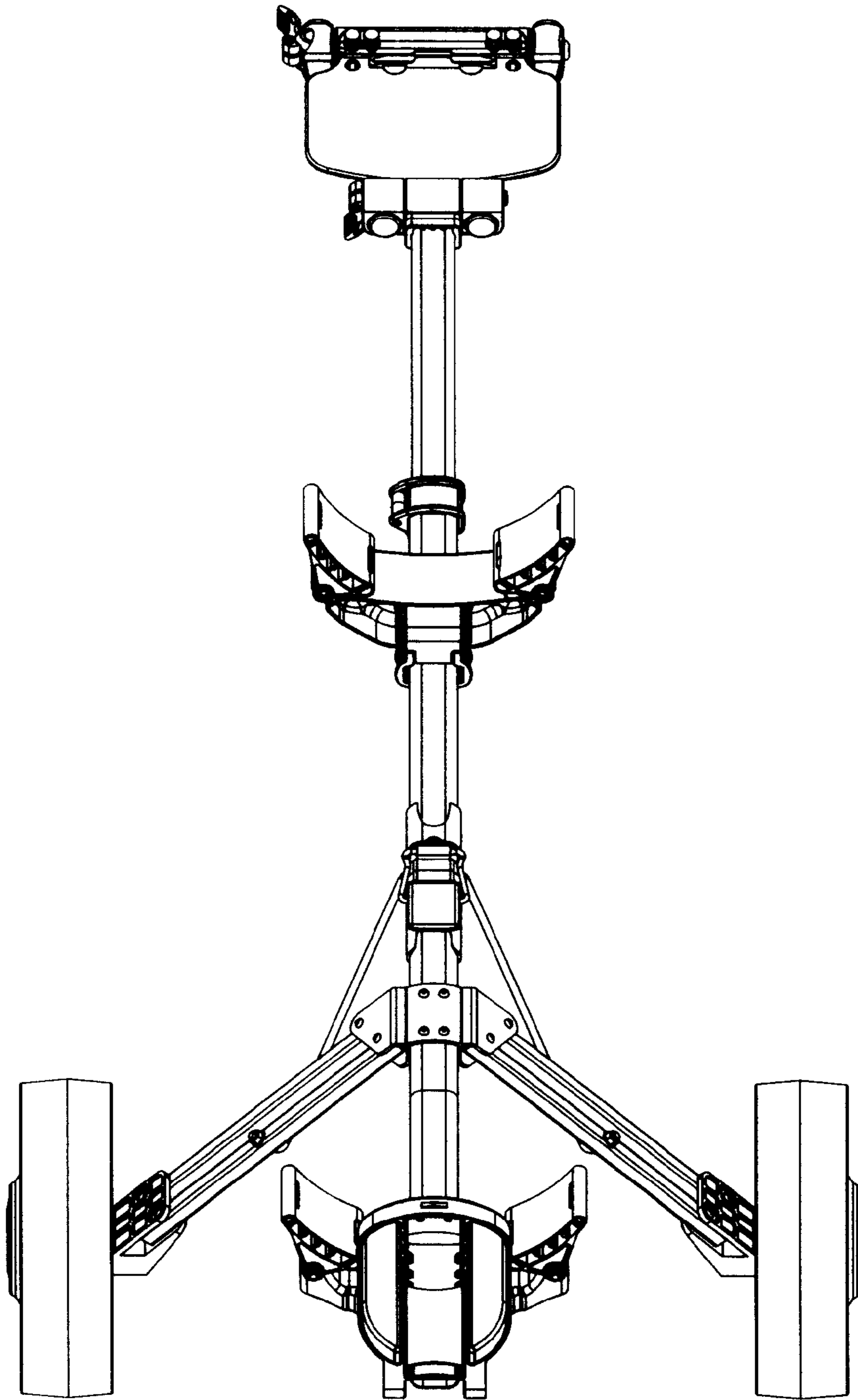


FIG. 4

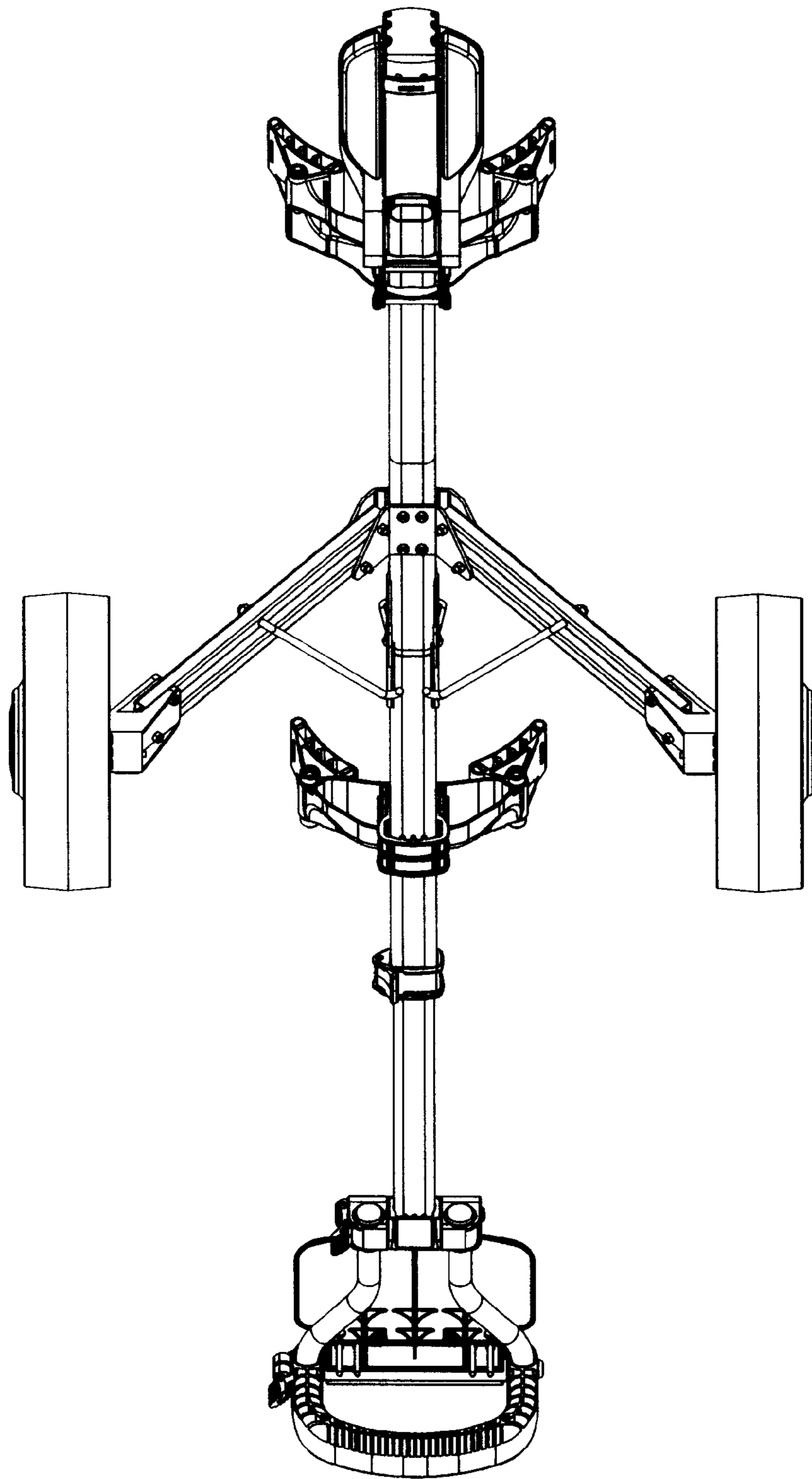


FIG. 5

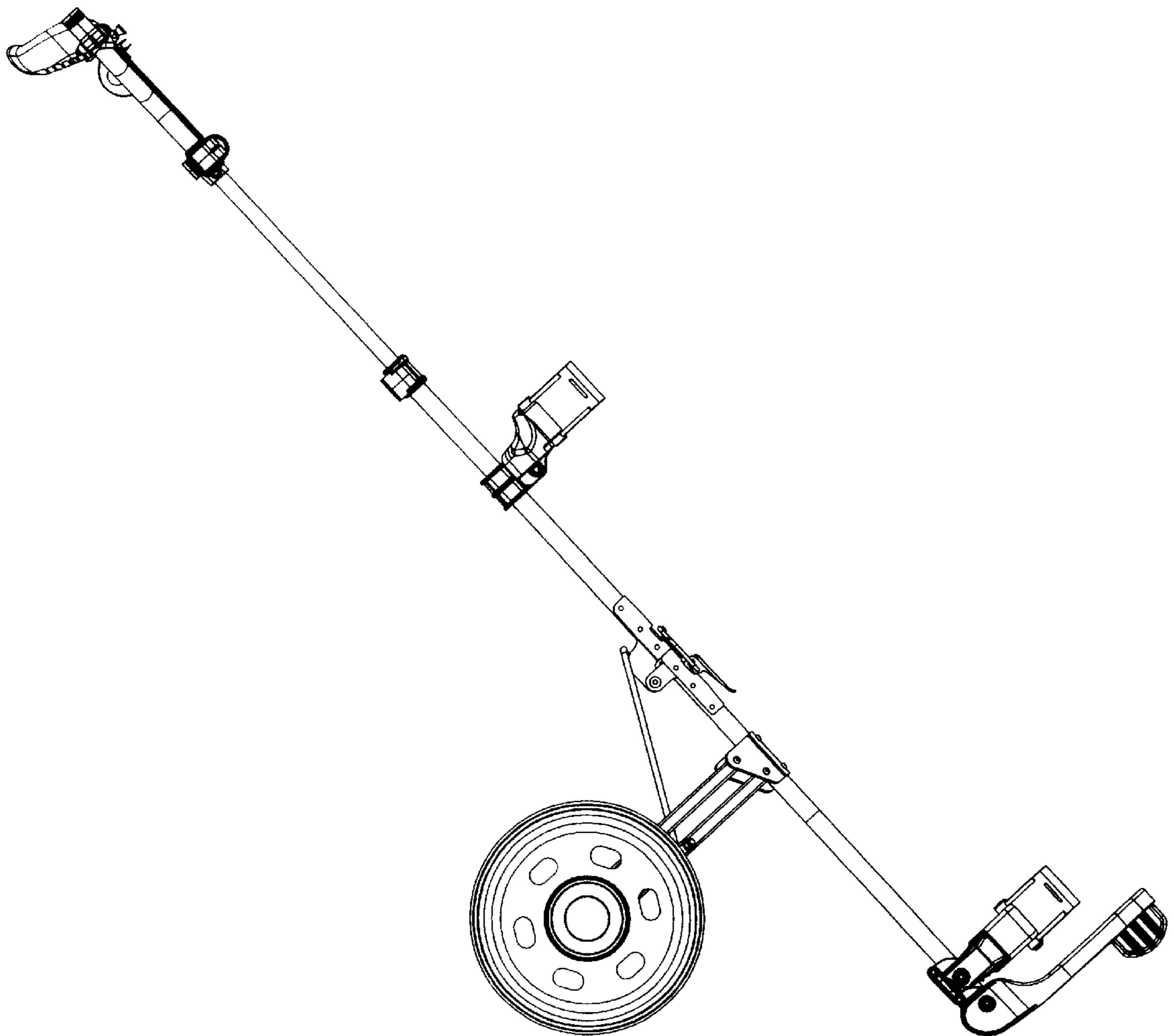


FIG. 6

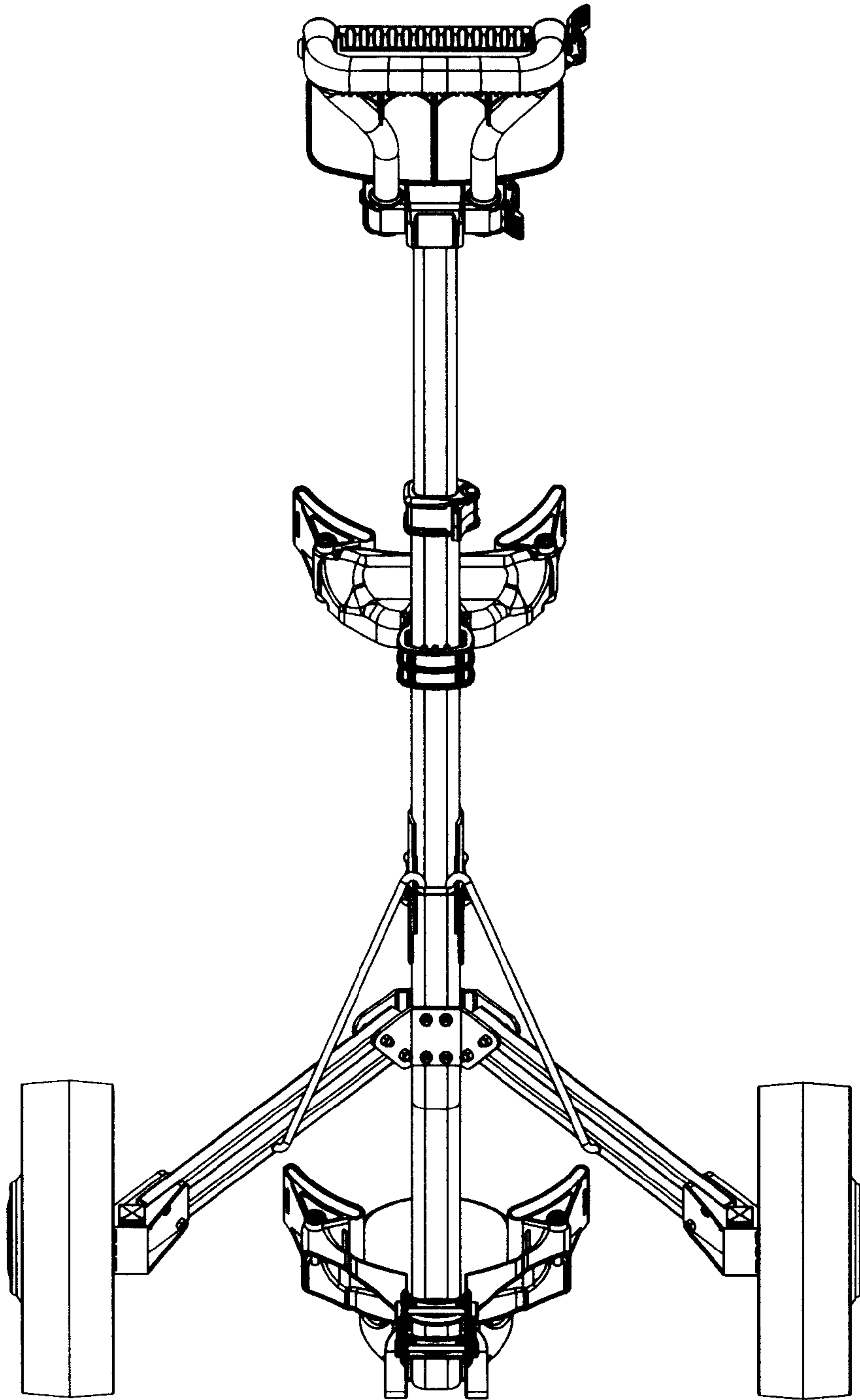


FIG. 7

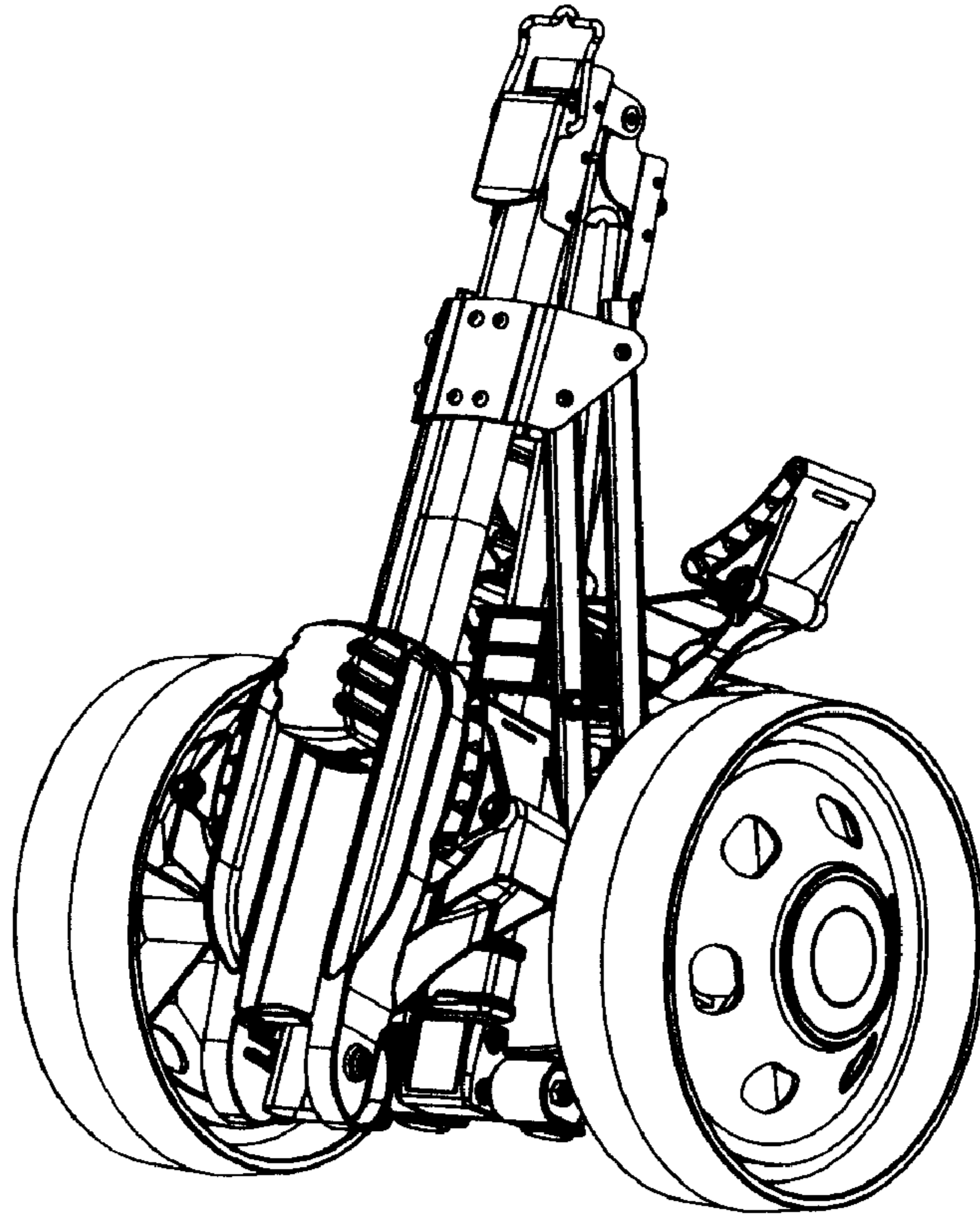


FIG. 8