



US00D446619B1

(12) **United States Design Patent**  
**Howard et al.**

(10) **Patent No.:** **US D446,619 S**

(45) **Date of Patent:** **\*\* Aug. 14, 2001**

(54) **WASTEBASKET**

(75) Inventors: **Susan E. Howard**, Richmond; **Daniel E. Sabourin**, Port Coquitlam, both of (CA)

(73) Assignee: **JRS Amenities Ltd.**, Richmond (CA)

(\*\*) Term: **14 Years**

(21) Appl. No.: **29/123,851**

(22) Filed: **May 26, 2000**

**Related U.S. Application Data**

(60) Division of application No. 29/089,473, filed on Jun. 16, 1998, which is a continuation-in-part of application No. 29/080,835, filed on Dec. 17, 1997, now Pat. No. Des. 407,534.

(51) **LOC (7) Cl.** ..... **09-09**

(52) **U.S. Cl.** ..... **D34/1**

(58) **Field of Search** ..... D34/1, 5, 6, 7, D34/9, 10; D3/313, 311; 220/908, 909, 910, 911, 500; D32/37

(56) **References Cited**

**U.S. PATENT DOCUMENTS**

- D. 308,272 5/1990 Koepsell .
- D. 319,519 8/1991 Keir .
- D. 329,110 9/1992 Haneberg .
- D. 340,333 10/1993 Duran et al. .
- D. 345,239 3/1994 Cooper .
- D. 347,923 6/1994 Martin et al. .
- D. 375,200 11/1996 Nugent .
- D. 376,231 12/1996 McLain .
- D. 399,348 10/1998 Dancyger .
- D. 401,027 11/1998 Mueller .
- D. 407,534 3/1999 Howard et al. .

- D. 407,929 4/1999 Woodring .
- 3,720,346 3/1973 Cypher .
- 4,834,253 5/1989 Crine .
- 4,874,111 10/1989 Heller .
- 4,913,308 4/1990 Culbertson .
- 4,991,737 2/1991 Edelman .
- 5,050,755 9/1991 Strawder .
- 5,085,342 2/1992 Strawder .
- 5,193,713 3/1993 Geathouse et al. .
- 5,366,189 11/1994 Thompson .
- 5,810,187 9/1998 Woodring .

*Primary Examiner*—Cynthia E. Ramirez

(74) *Attorney, Agent, or Firm*—Oyen Wiggs Green & Mutala

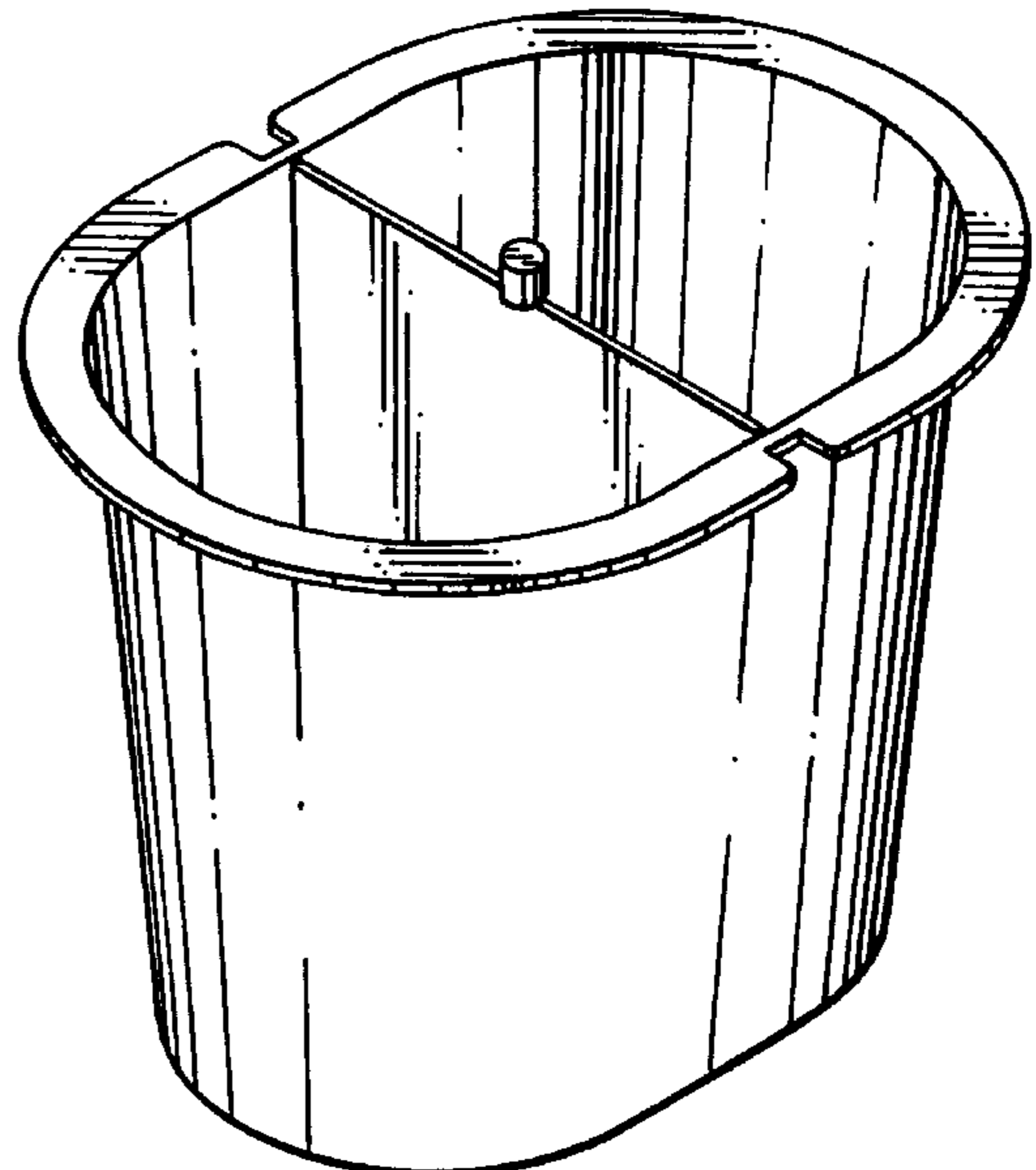
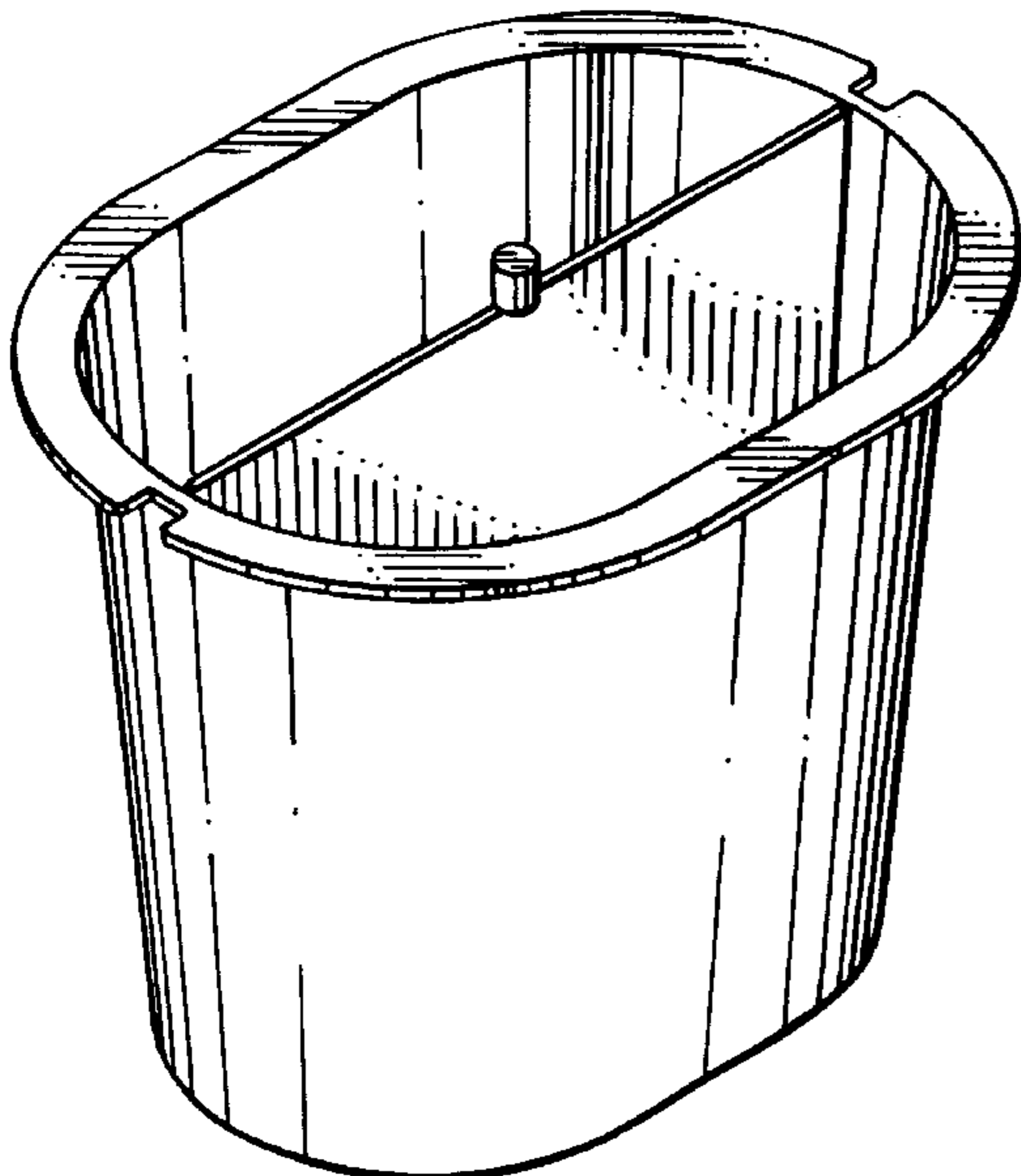
(57) **CLAIM**

The ornamental design for a wastebasket, as shown and described.

**DESCRIPTION**

FIG. 1 is a perspective view of the first embodiment of the wastebasket;  
 FIG. 2 is a top plan view thereof;  
 FIG. 3 is a front elevation view thereof, the back elevation view identical thereto;  
 FIG. 4 is a left side elevation view, the right side elevation view being identical thereof;  
 FIG. 5 is a bottom plan view thereof;  
 FIG. 6 is a perspective view of the second variant of the wastebasket;  
 FIG. 7 is a top plan view thereof;  
 FIG. 8 is a front elevation view thereof, the back elevation view being identical thereto;  
 FIG. 9 is a left side elevation view, the right side elevation view being identical thereof; and,  
 FIG. 10 is a bottom plan view thereof.

**1 Claim, 4 Drawing Sheets**



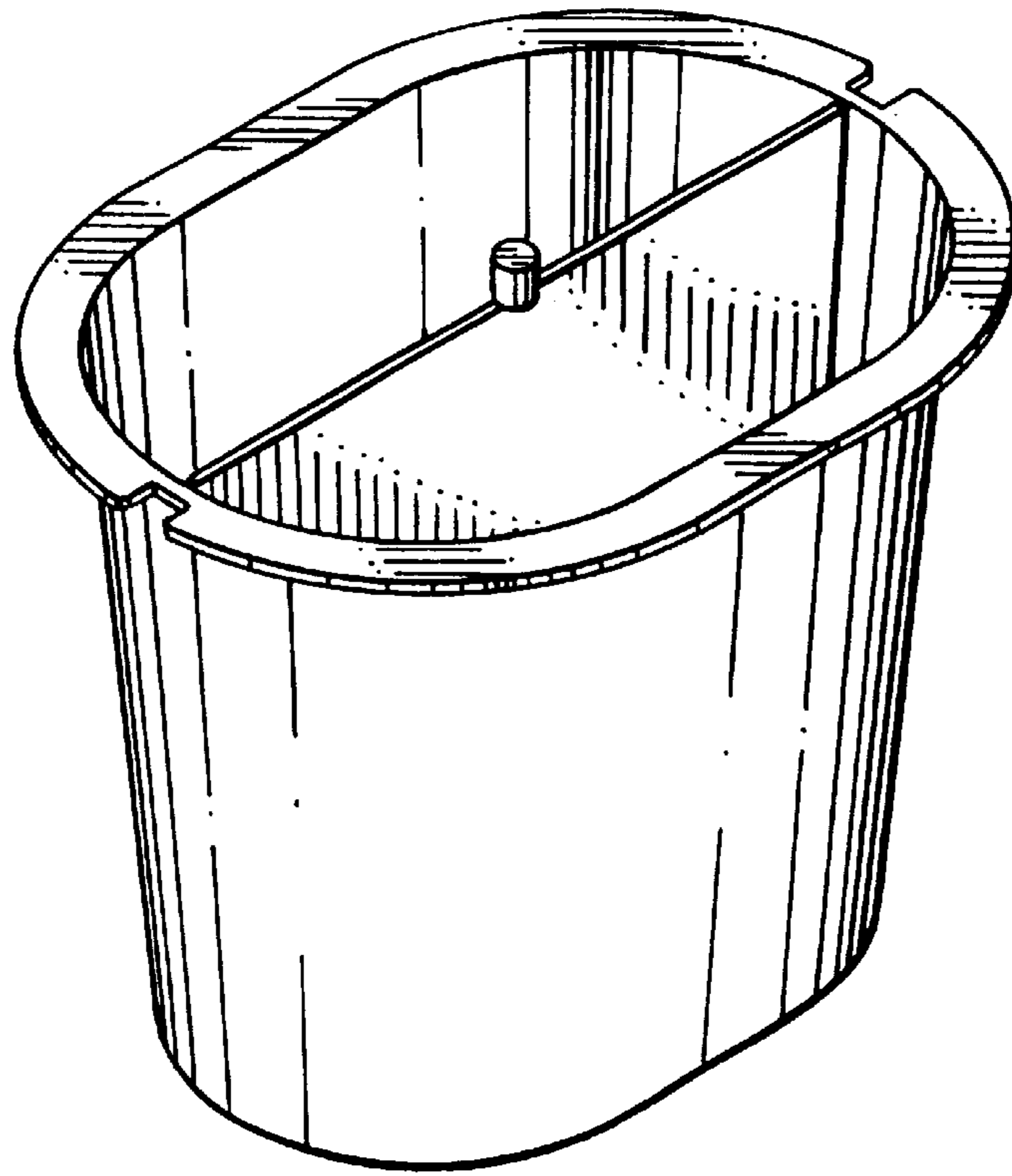


FIG. 1

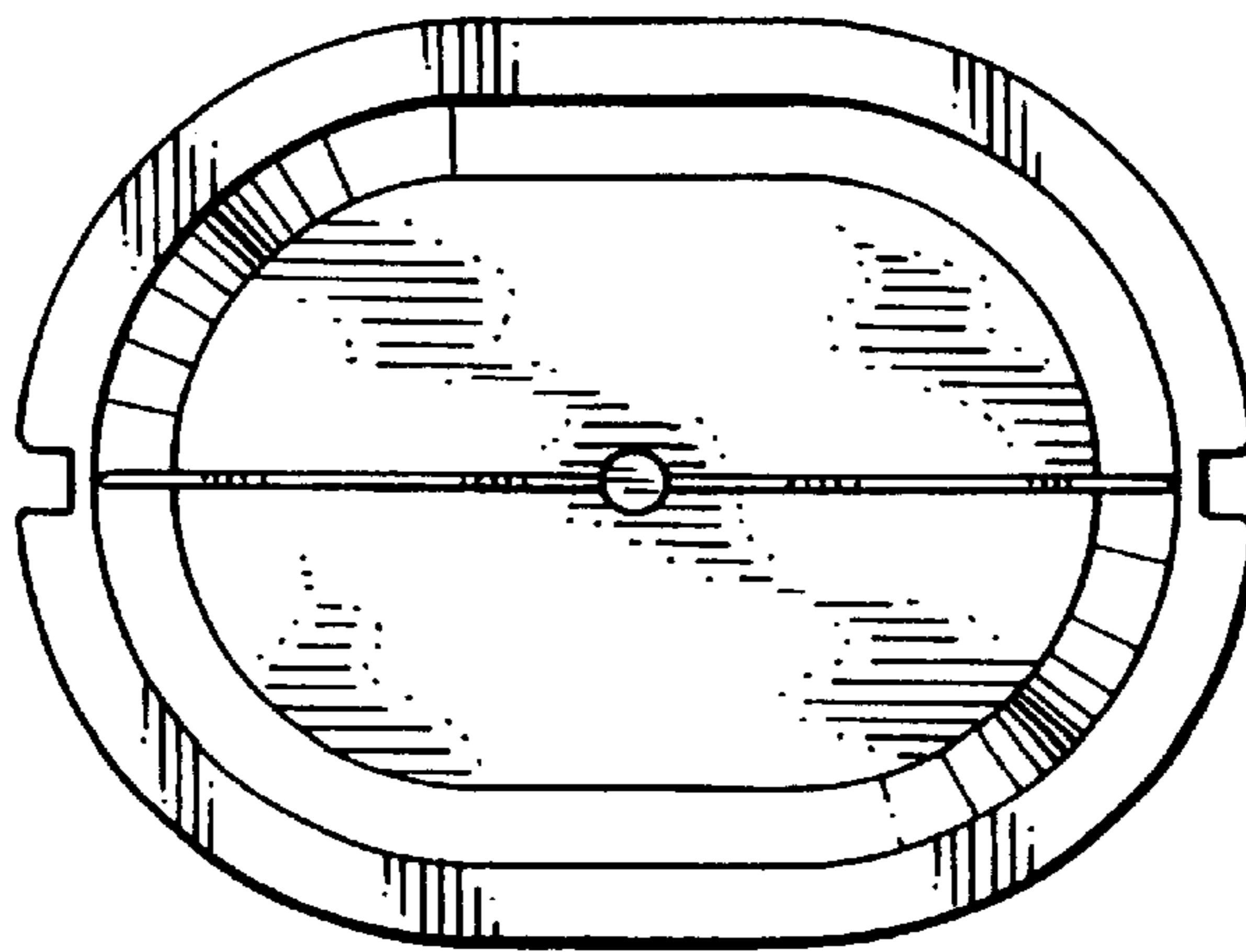


FIG. 2

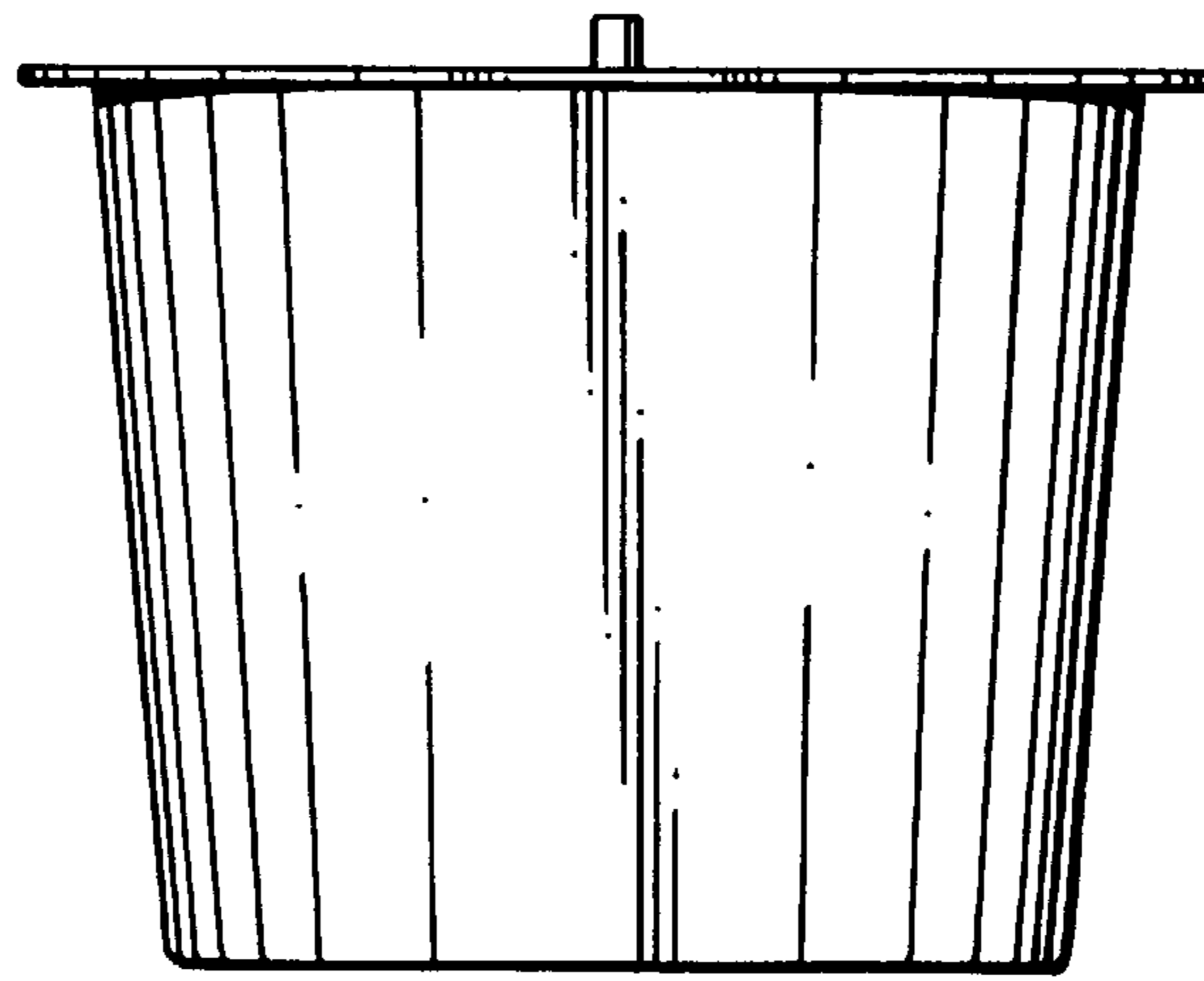


FIG. 3

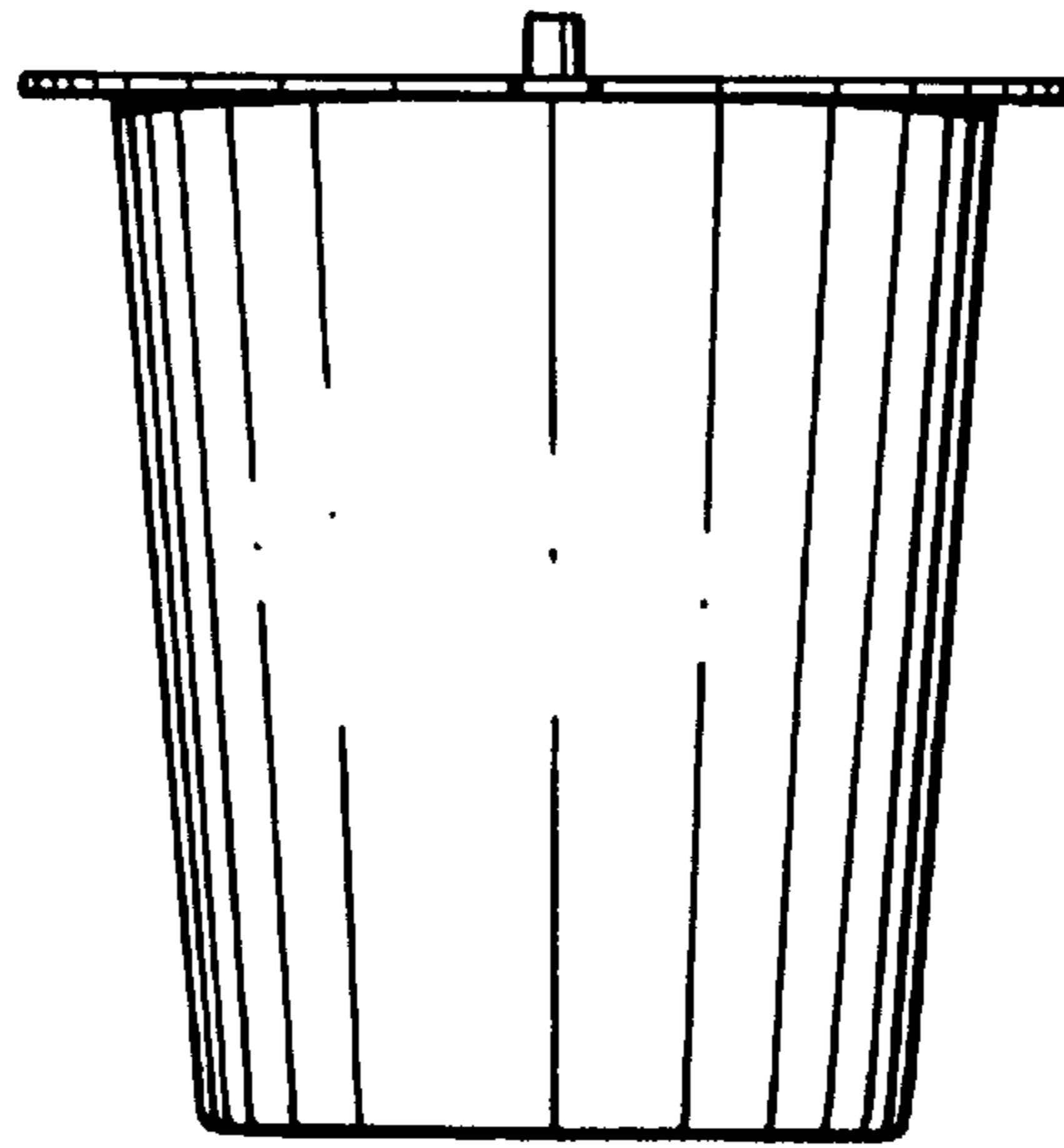


FIG. 4

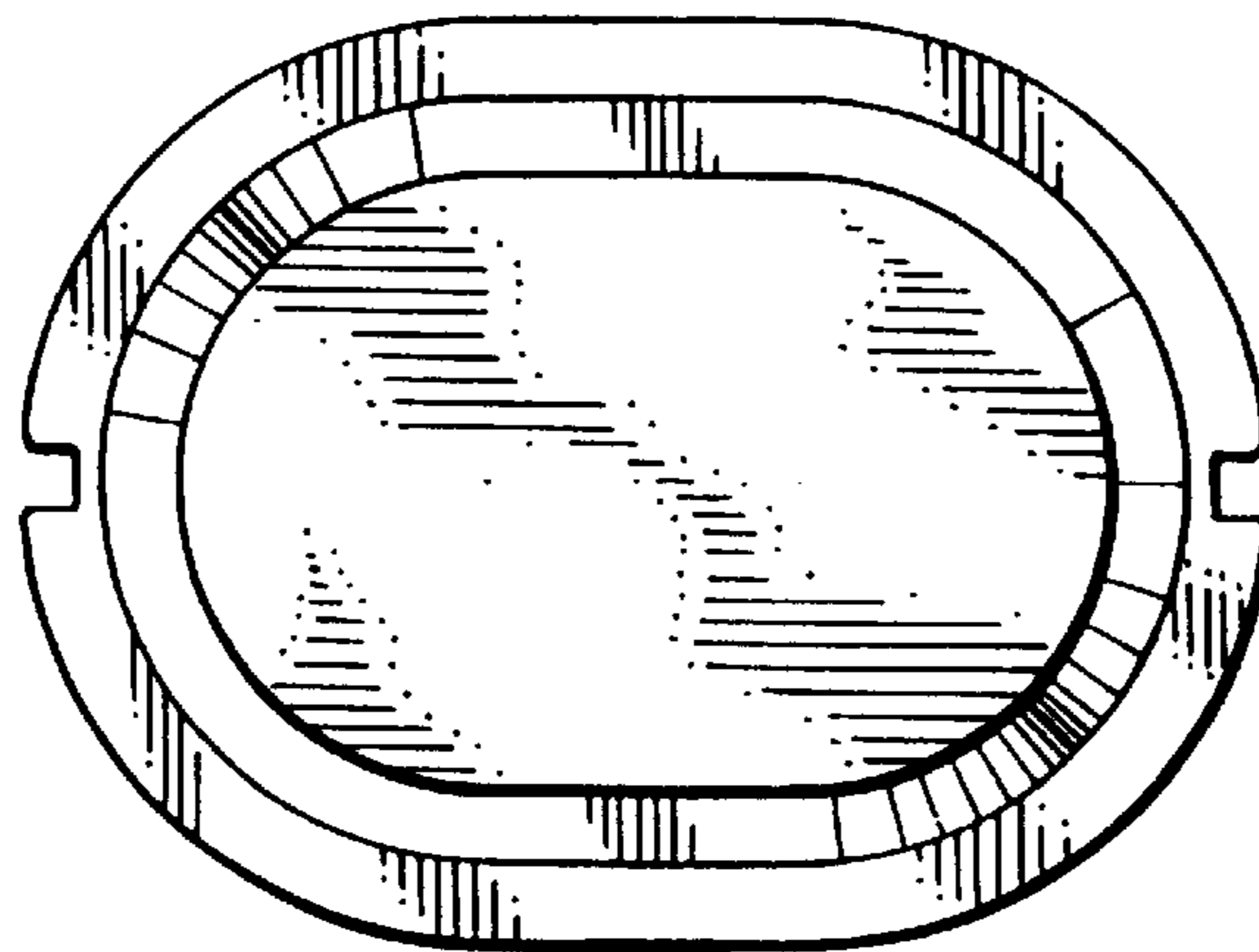


FIG. 5

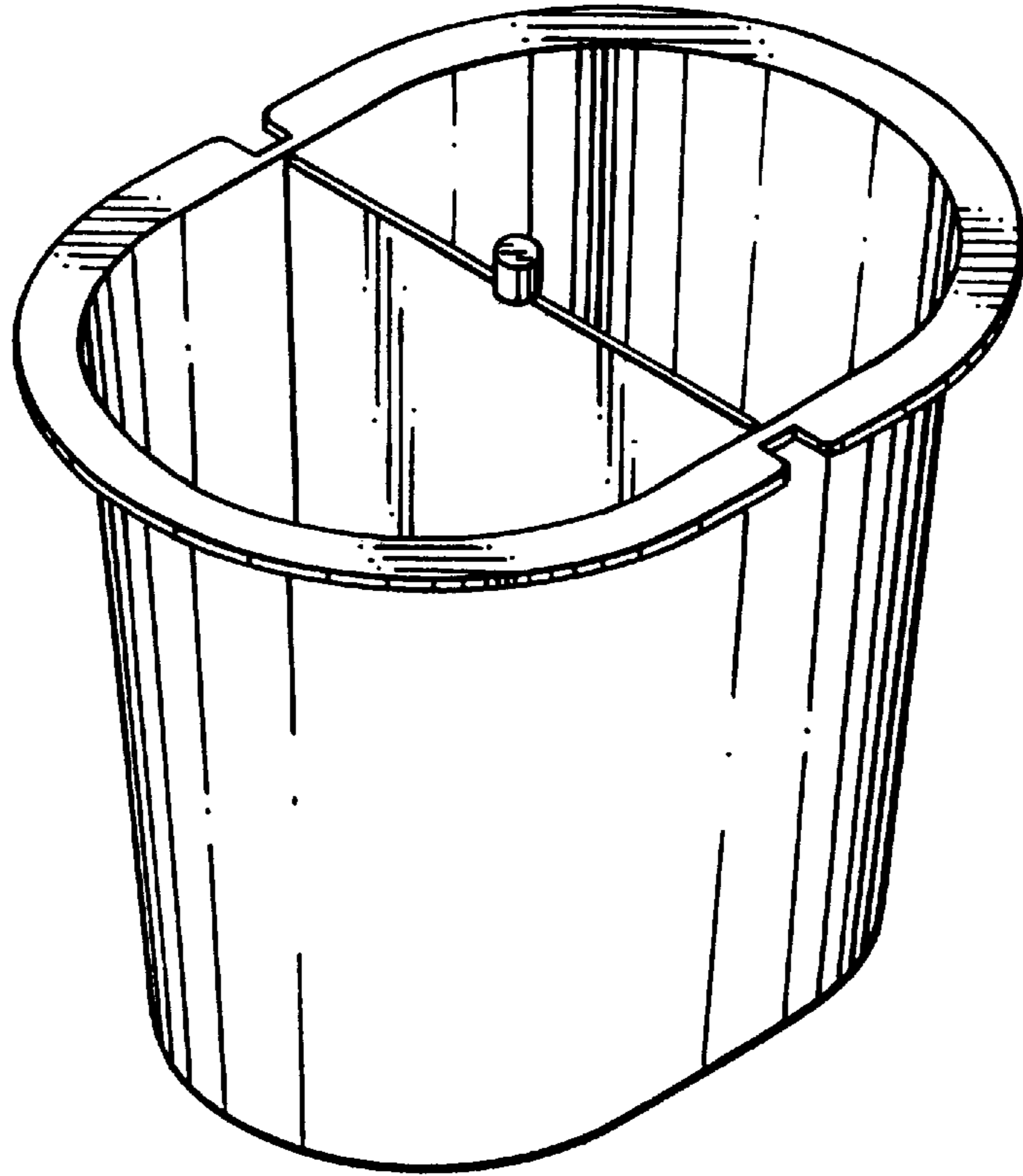


FIG. 6

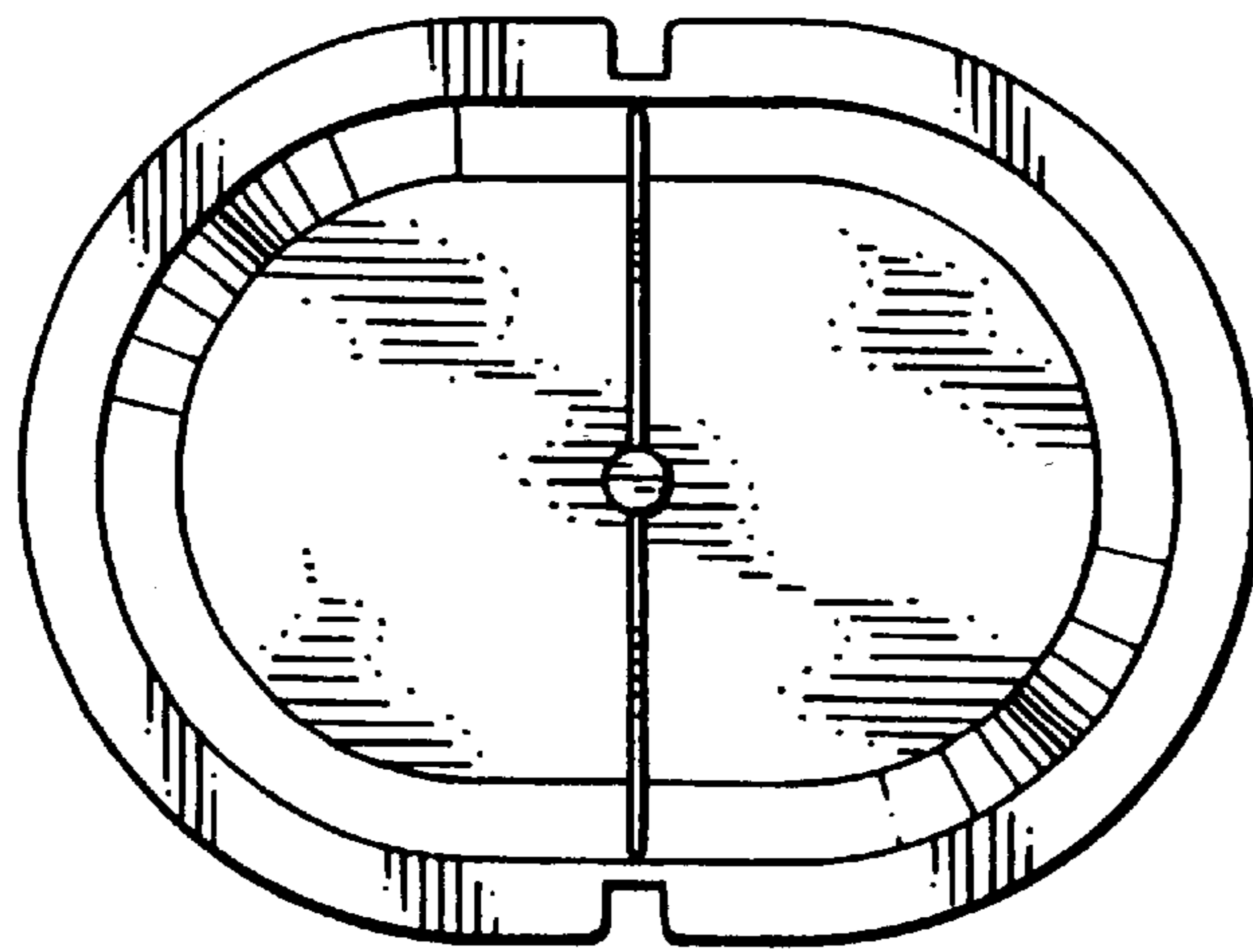


FIG. 7

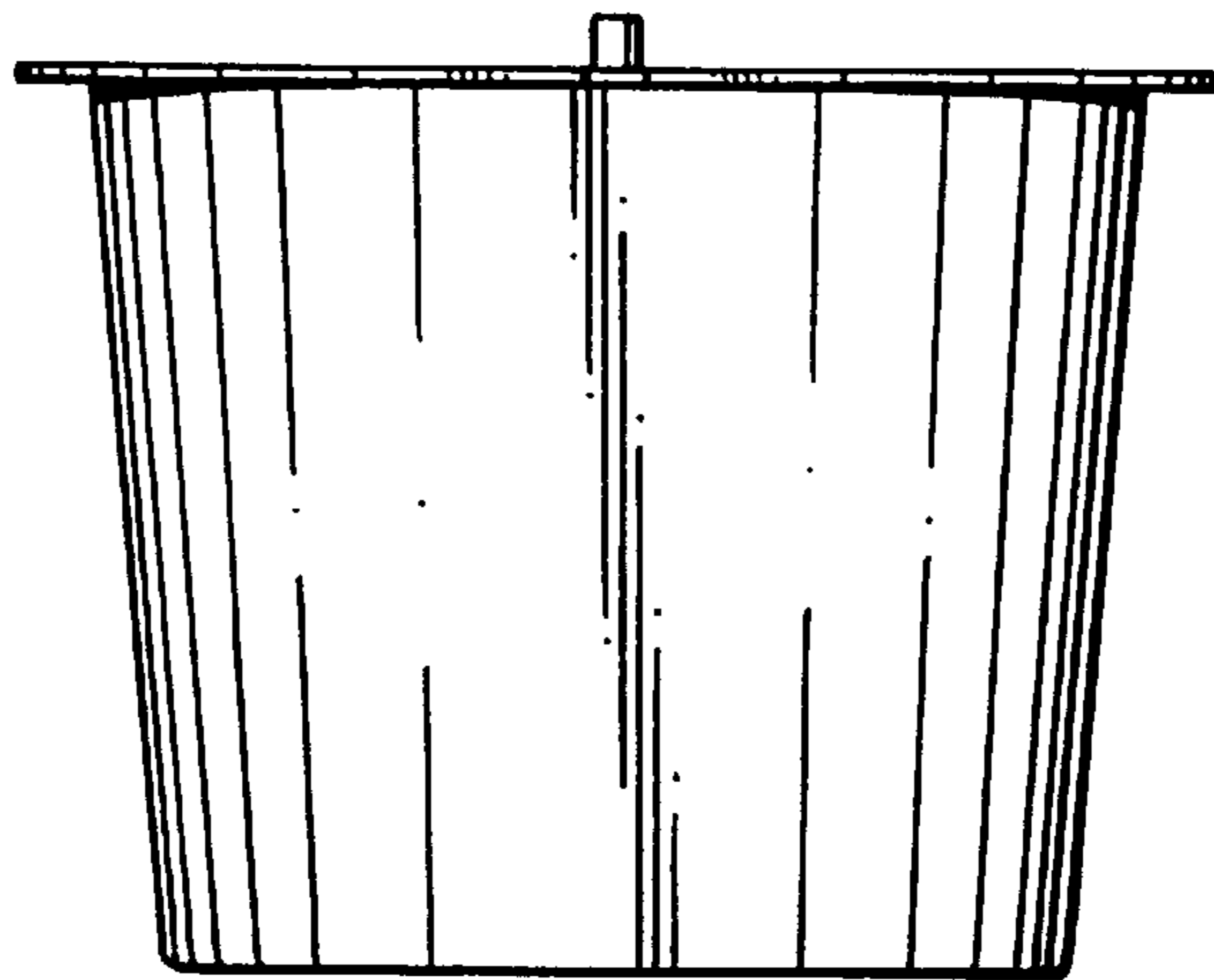


FIG. 8

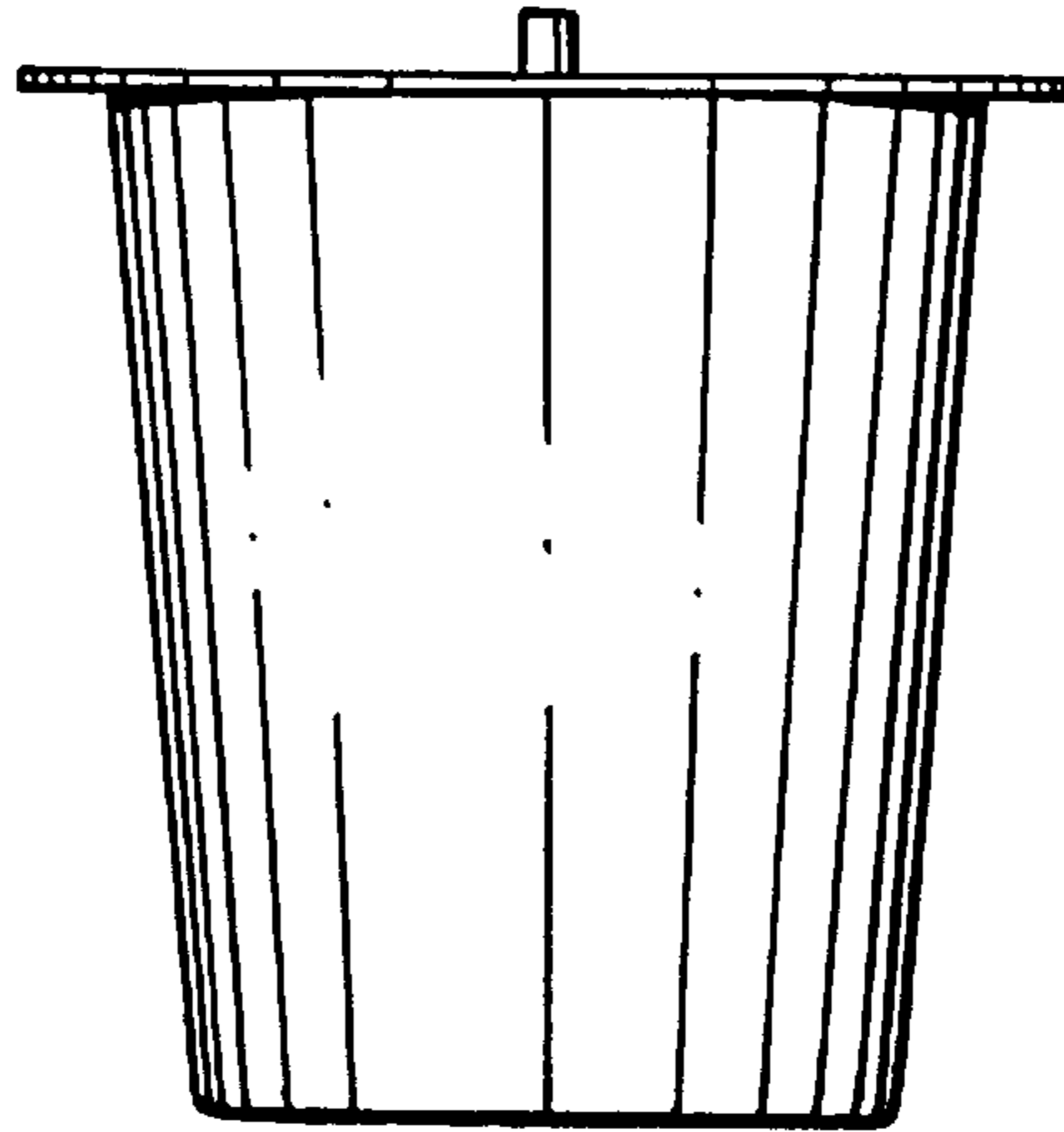


FIG. 9

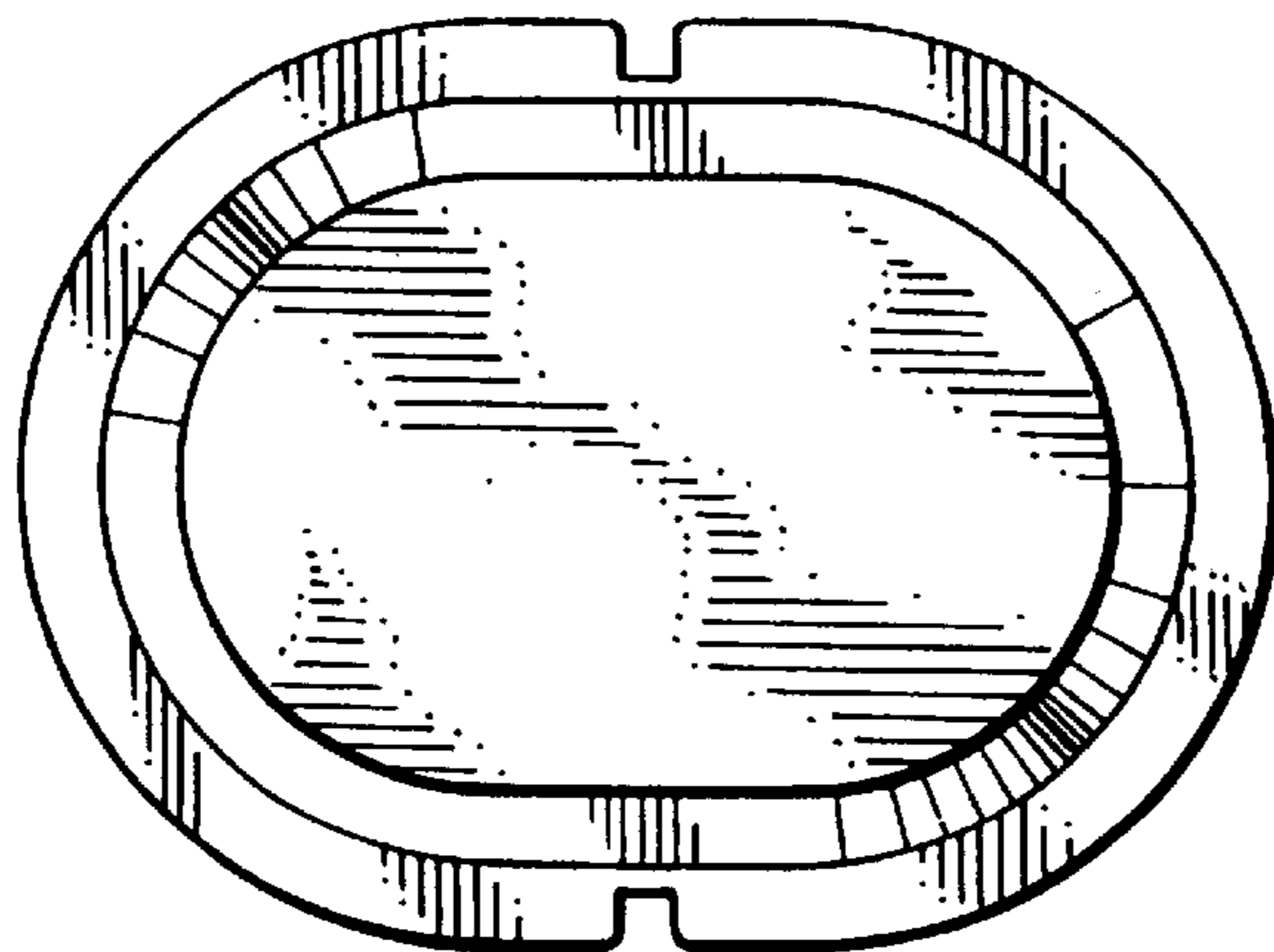


FIG. 10