



US00D446618B1

(12) **United States Design Patent**
Clark

(10) **Patent No.:** **US D446,618 S**

(45) **Date of Patent:** **** Aug. 14, 2001**

(54) **SNAP-ON WIRE BRUSH WIPE**

(76) Inventor: **Henry R. Clark**, 228 Timber La.,
Stockbridge, GA (US) 30281

(**) Term: **14 Years**

(21) Appl. No.: **29/133,472**

(22) Filed: **Dec. 1, 2000**

(51) **LOC (7) Cl.** **07-07**

(52) **U.S. Cl.** **D32/54**

(58) **Field of Search** D32/53, 53.1,
D32/54; 220/694-5, 697-701, 735; 15/257.01

(56) **References Cited**

U.S. PATENT DOCUMENTS

2,355,549	*	8/1944	Myers	15/257.01
2,452,025	*	10/1948	Dunn	15/257.01
3,061,140	*	10/1962	Barnes	15/257.01
3,291,337	*	12/1966	Jenkins	15/257.01

* cited by examiner

Primary Examiner—Robin V. Taylor

(74) *Attorney, Agent, or Firm*—Harry I. Leon

(57) **CLAIM**

The ornamental design for a snap-on wire brush wipe, as shown and described.

DESCRIPTION

FIG. 1 is a top, right side perspective view of a snap-on wire brush wipe showing the design;

FIG. 2 is a top, left side perspective view of the snap-on brush wipe according to FIG. 1, the broken-line disclosure of a paint pail and a person's hand holding a brush so as to wipe it across the cross wire of the brush wipe the paint pail are being shown for illustration purposes only and forming no part of the claimed design;

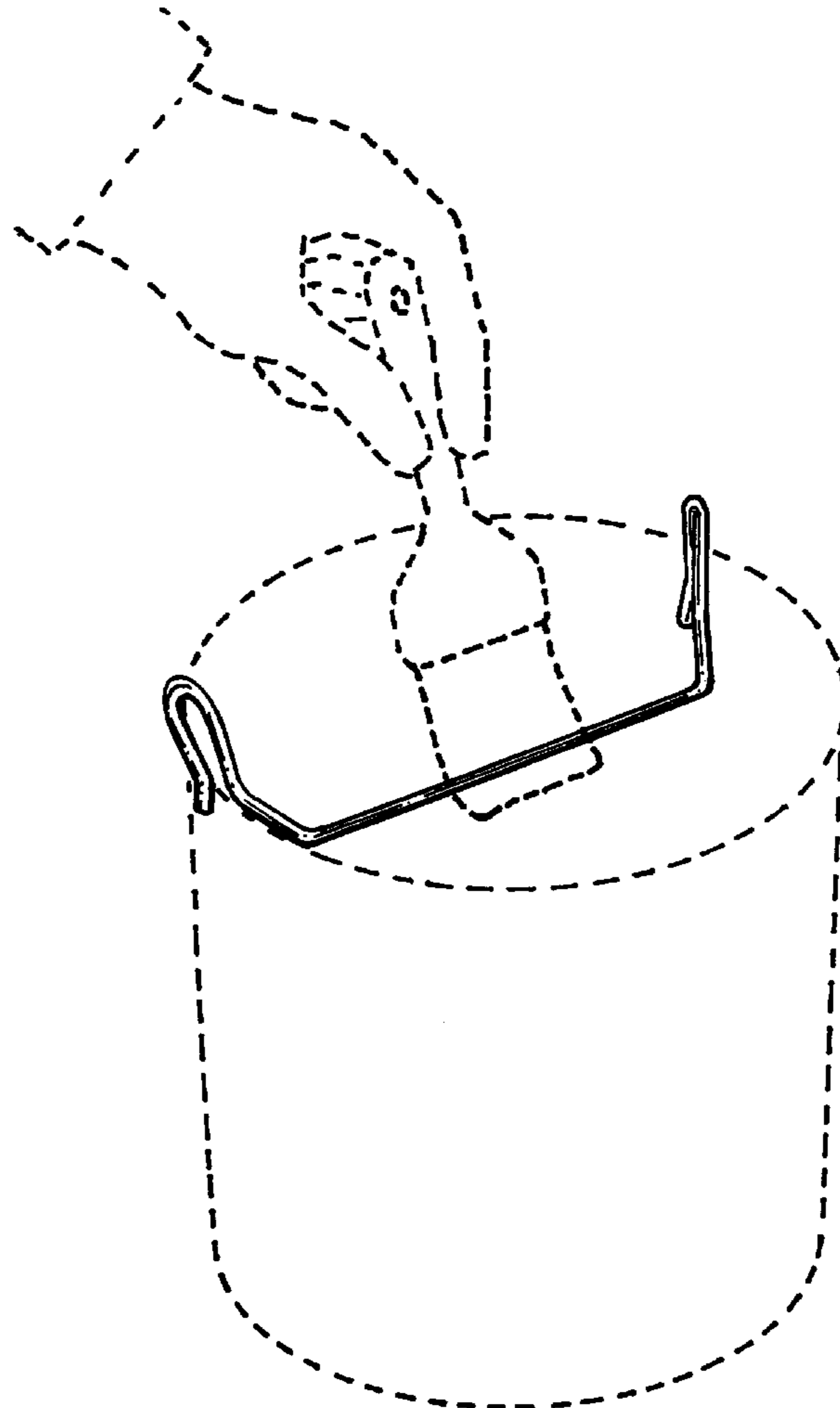
FIG. 3 is a top plan view of the snap-on wire brush wipe;

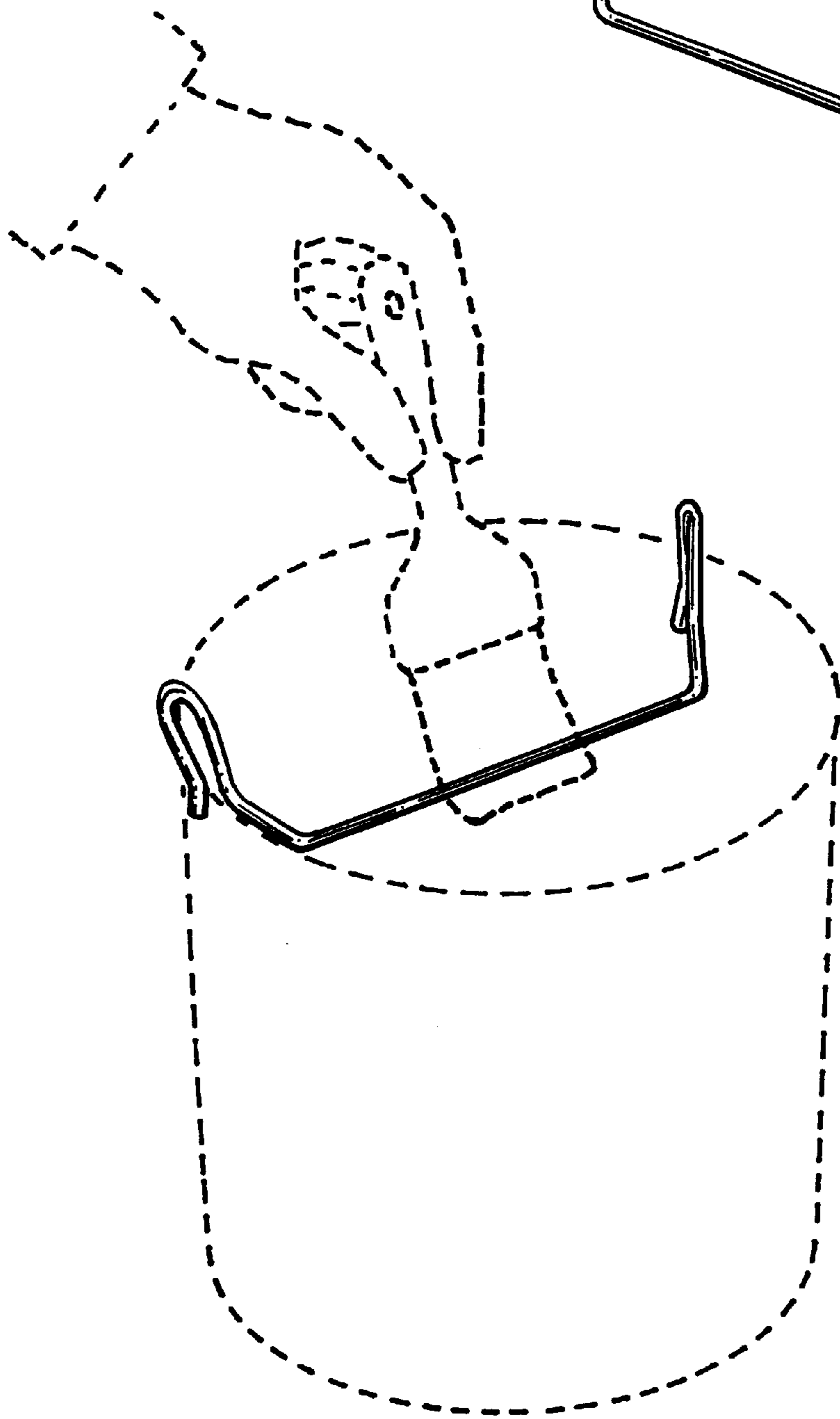
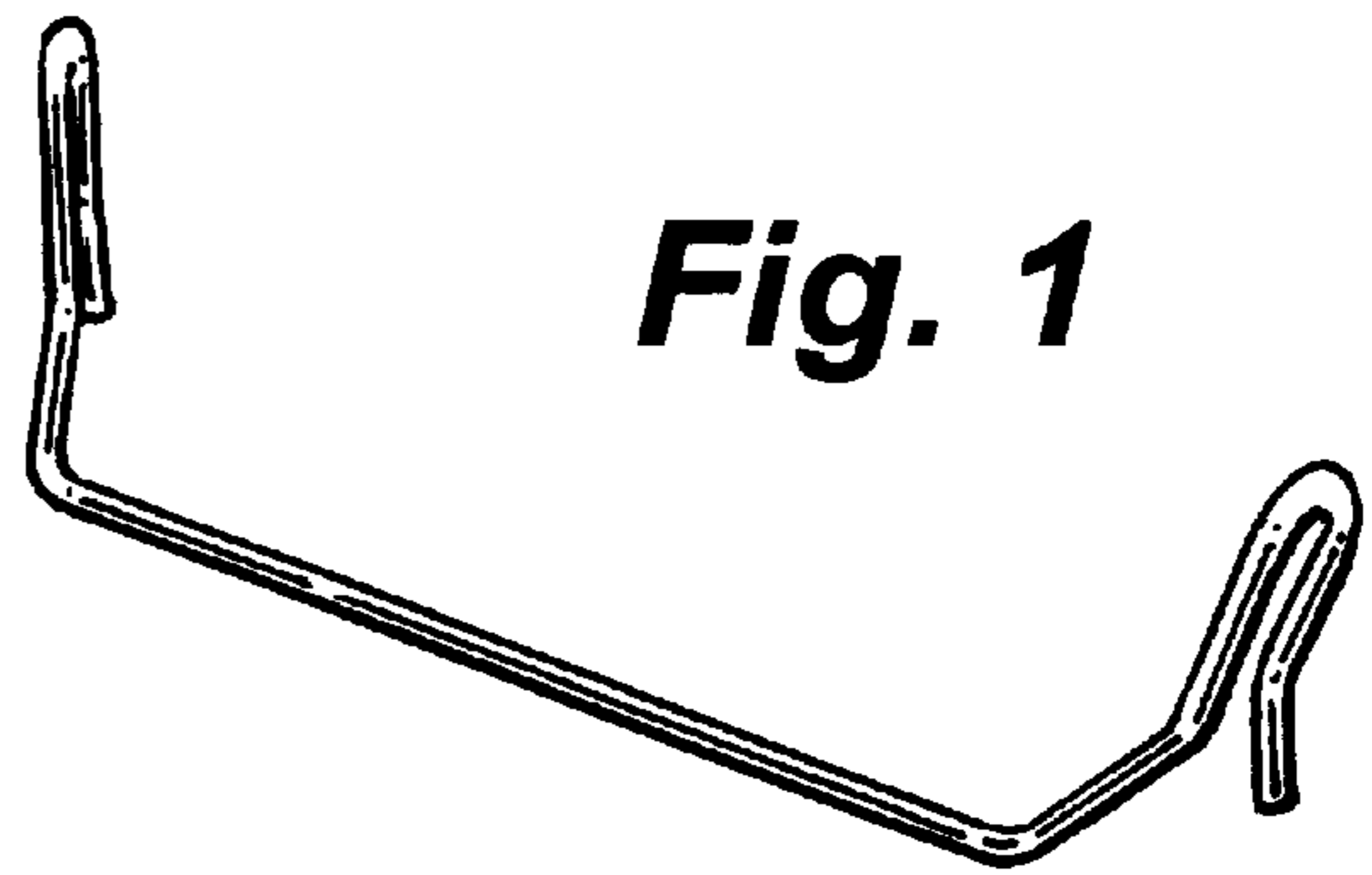
FIG. 4 is a bottom plan view of the snap-on wire brush wipe;

FIG. 5 is a left side elevational view of the snap-on wire brush wipe; and,

FIG. 6 is a right side elevational view of the snap-on wire brush wipe.

1 Claim, 2 Drawing Sheets





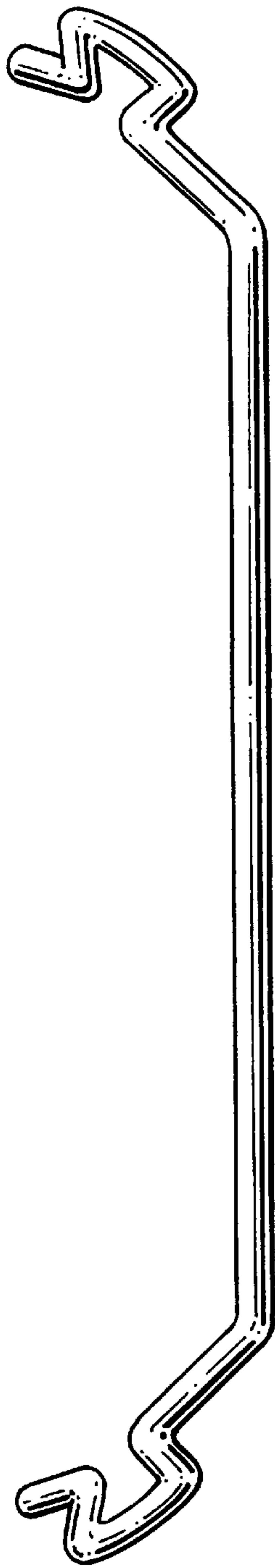


Fig. 3



Fig. 4

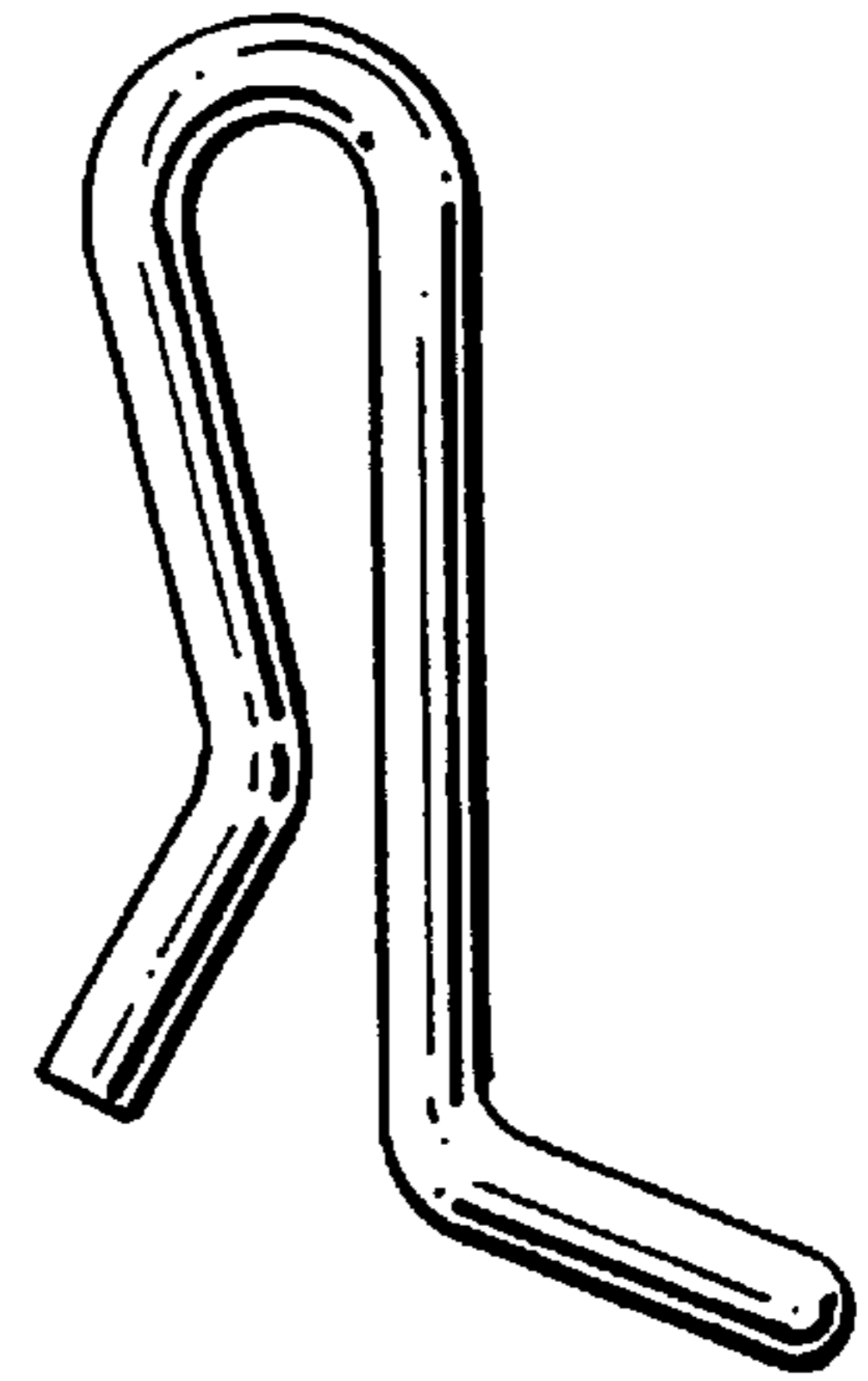


Fig. 5

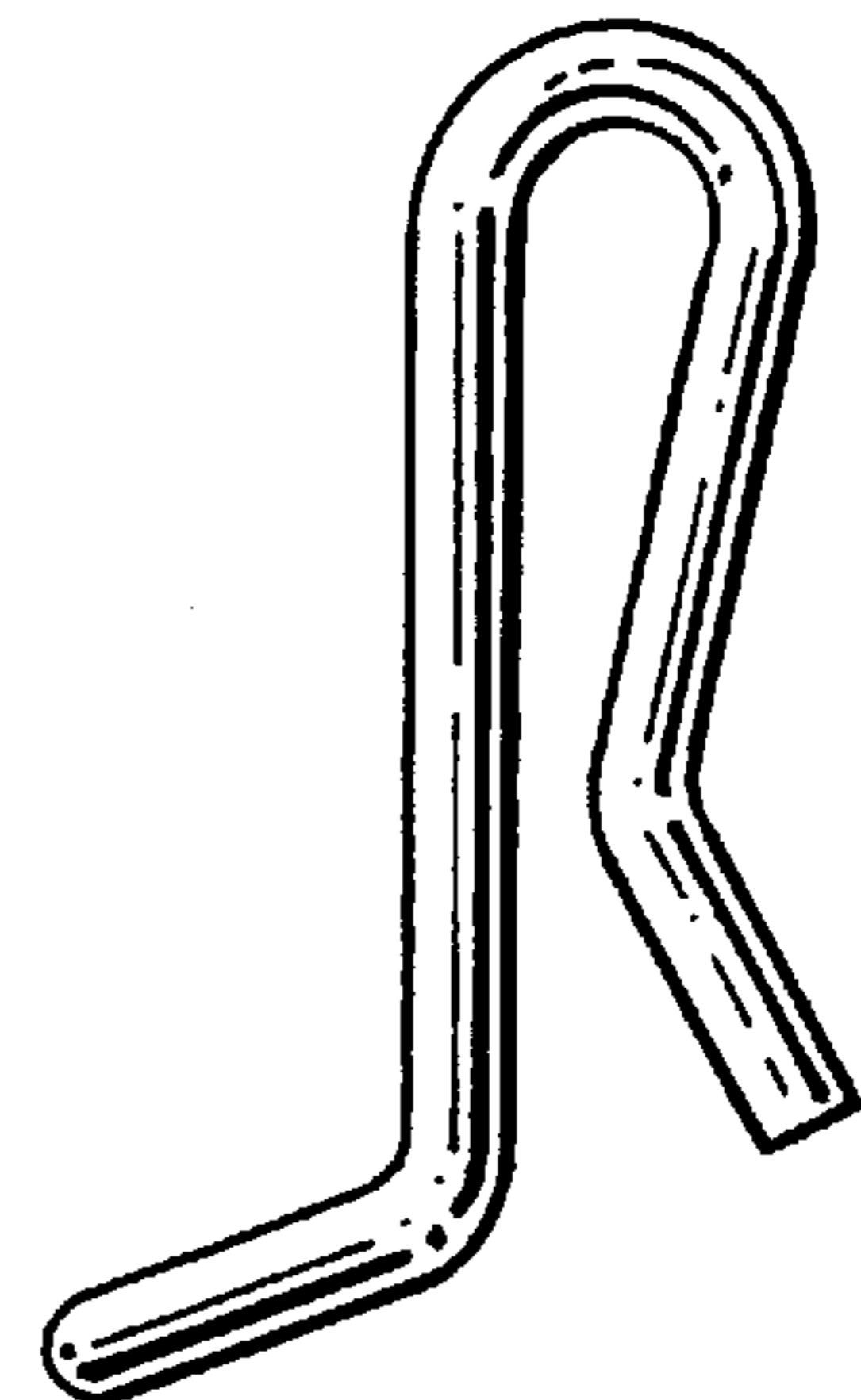


Fig. 6