



US00D446613B1

(12) **United States Design Patent**
Hirokawa

(10) **Patent No.:** **US D446,613 S**

(45) **Date of Patent:** **** Aug. 14, 2001**

(54) **PORTION OF A VACUUM CLEANER**

(75) Inventor: **Setsu Hirokawa**, Tokyo (JP)

(73) Assignee: **Kabushiki Kaisha Toshiba**, Kawasaki (JP)

(**) Term: **14 Years**

(21) Appl. No.: **29/121,977**

(22) Filed: **Apr. 19, 2000**

(30) **Foreign Application Priority Data**

Oct. 19, 1999 (JP) 11-28663

(51) **LOC (7) Cl.** **15-05**

(52) **U.S. Cl.** **D32/21**

(58) **Field of Search** D32/21, 23-25,
D32/31, 17-18; 15/344, 327.5, 329, 412,
327.1, 327.2, 327.7

(56) **References Cited**

U.S. PATENT DOCUMENTS

- D. 288,972 * 3/1987 Morioka et al. .
- D. 289,097 * 3/1987 Takahashi et al. .
- D. 297,475 * 8/1988 Umehara et al. .
- D. 297,675 * 9/1988 Umehara et al. .
- D. 322,338 * 12/1991 Sovis et al. D32/21
- D. 382,679 * 8/1997 Dyson D32/21
- D. 399,617 * 10/1998 Fujita D32/21

- D. 417,046 * 11/1999 Tsuruha et al. D32/21
- D. 417,047 * 11/1999 Tsuda D32/21
- D. 430,366 * 8/2000 Sato et al. D32/21
- 4,953,253 * 9/1990 Fukuda et al. .

FOREIGN PATENT DOCUMENTS

1020610 * 9/1998 (JP) .

* cited by examiner

Primary Examiner—Ruth McInroy

(74) *Attorney, Agent, or Firm*—Banner & Witcoff, Ltd.

(57) **CLAIM**

The ornamental design for a portion of a vacuum cleaner, as shown and described.

DESCRIPTION

FIG. 1 is a top, front and right side perspective view of a portion of a vacuum cleaner showing my new design; FIG. 2 is a front elevational view thereof; FIG. 3 is a rear elevational view thereof; FIG. 4 is a right side elevational view thereof; FIG. 5 is a left side elevational view thereof; FIG. 6 is a top plan view thereof; and, FIG. 7 is a bottom plan view thereof.

The broken line showing of the remainder of the vacuum cleaner including the panel seams is for illustrative purposes only and forms no part of the claimed design.

1 Claim, 3 Drawing Sheets

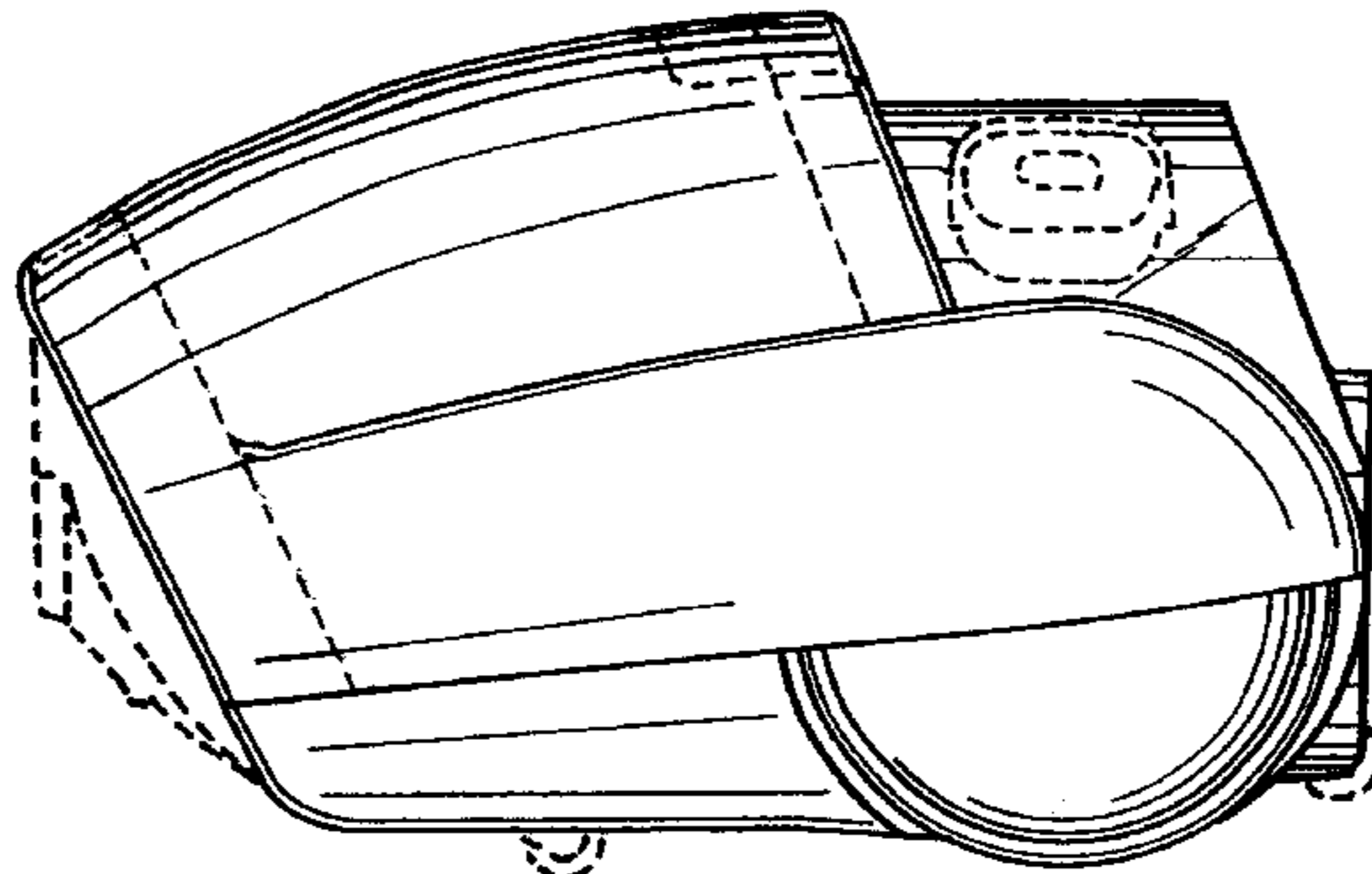
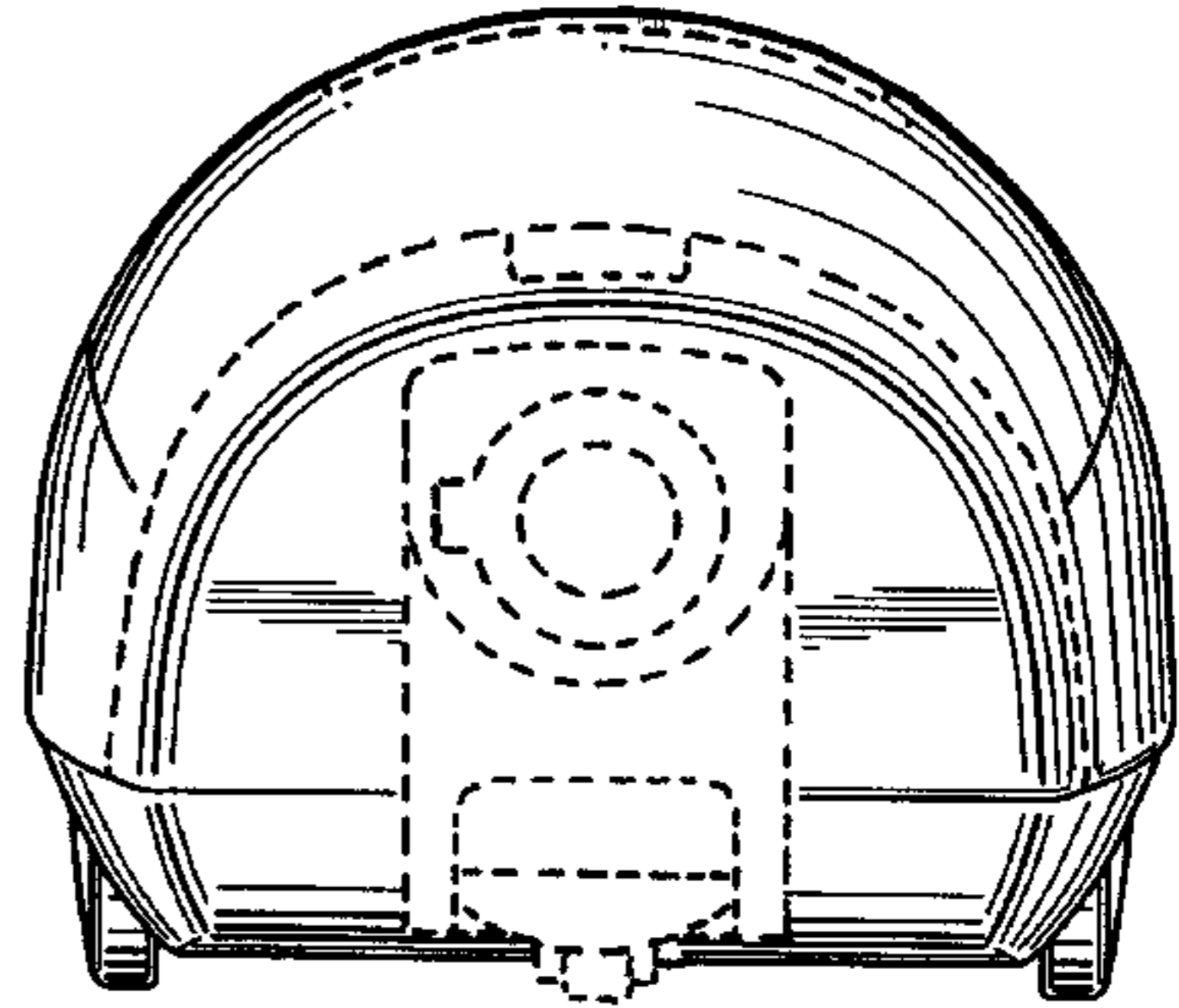
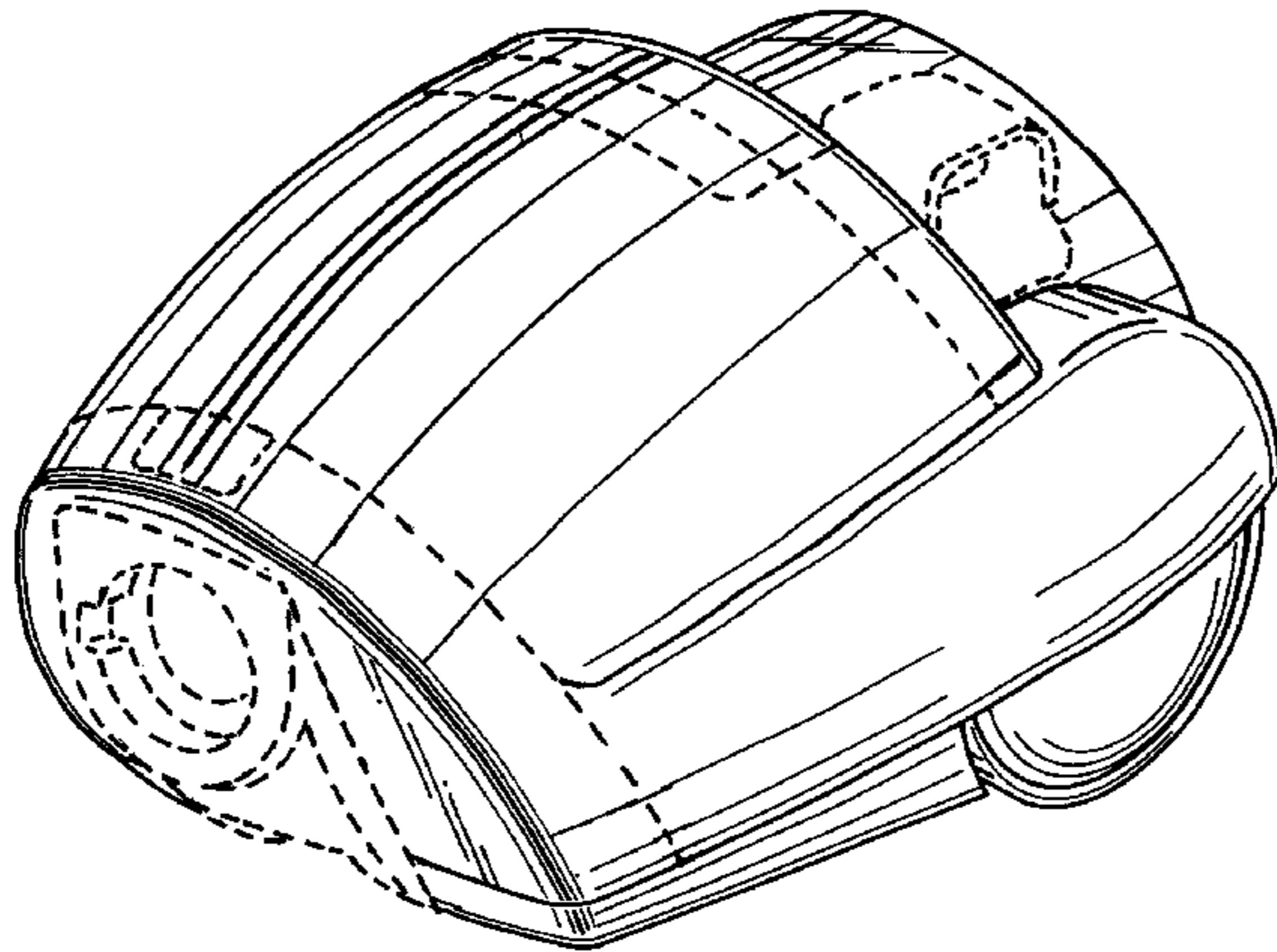


FIG. 1

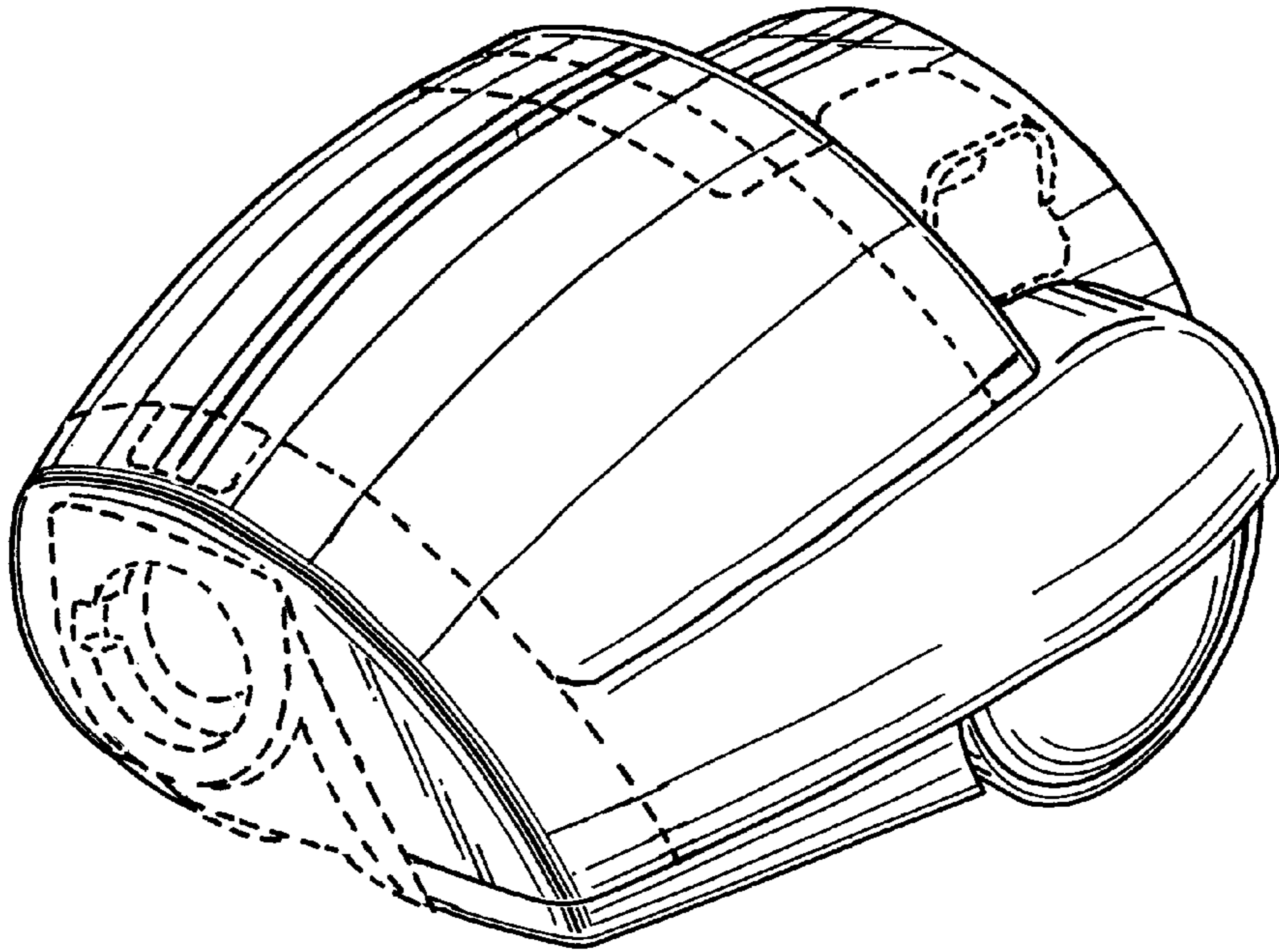


FIG. 2

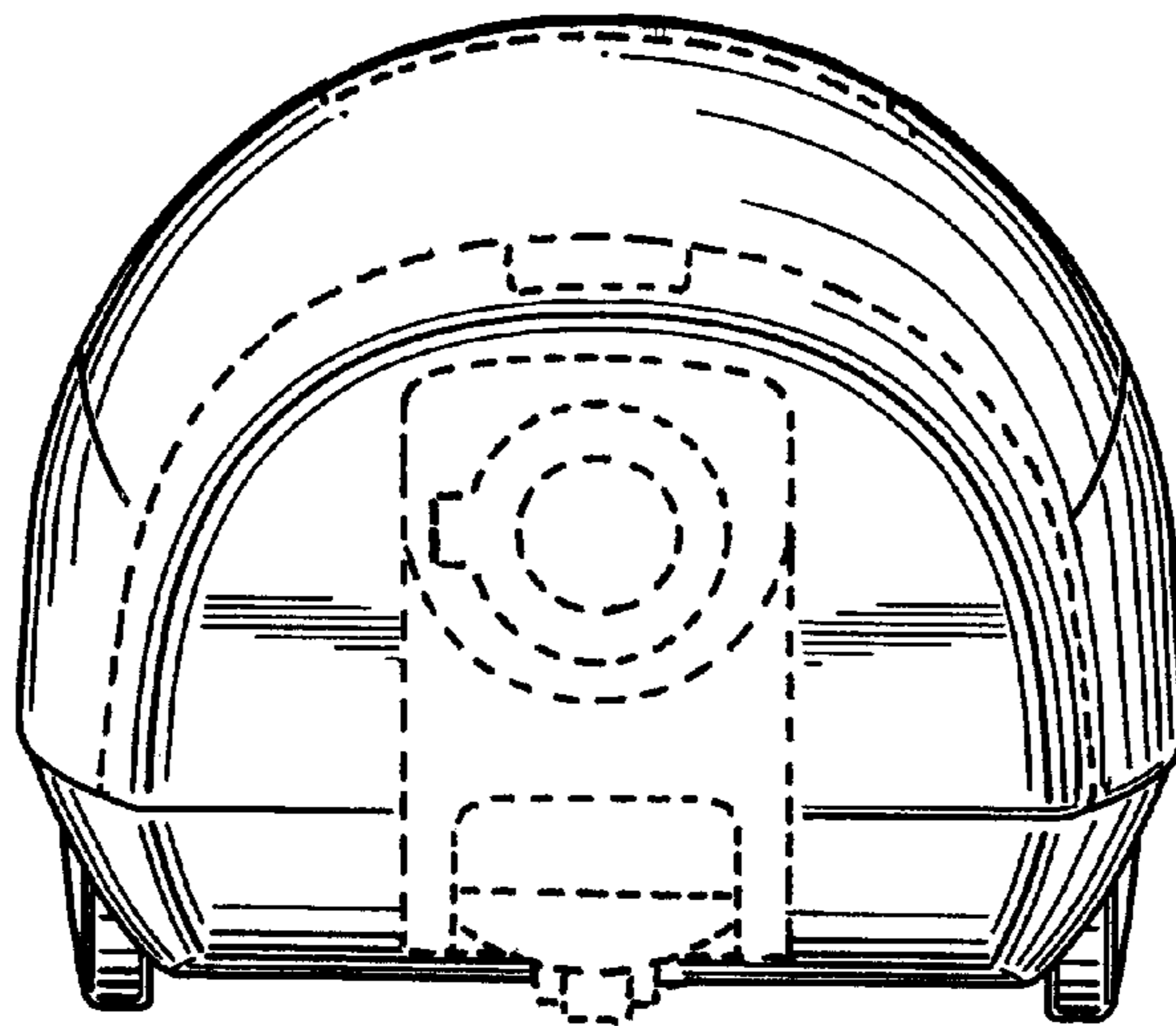


FIG. 4

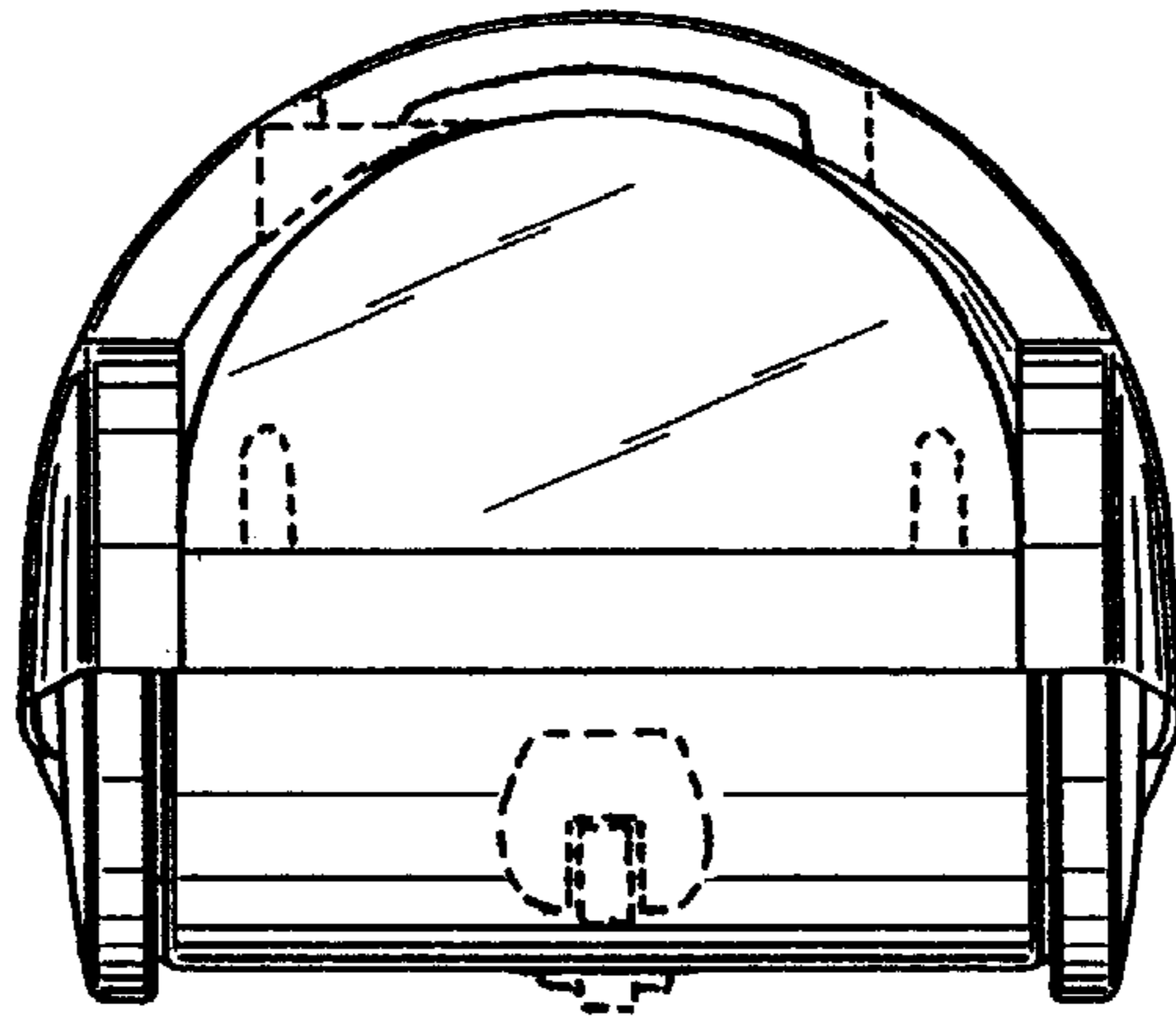


FIG. 3

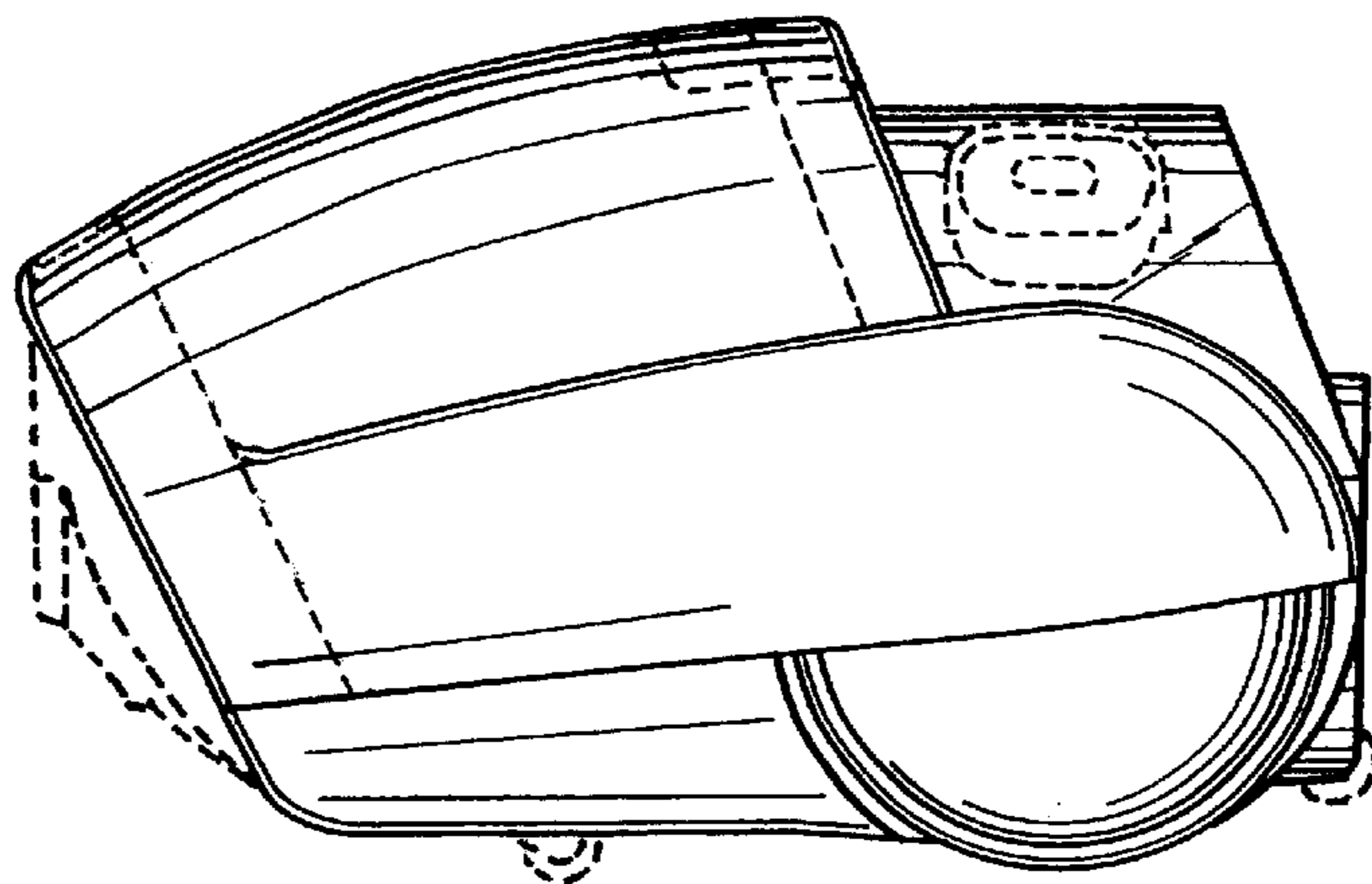


FIG. 5

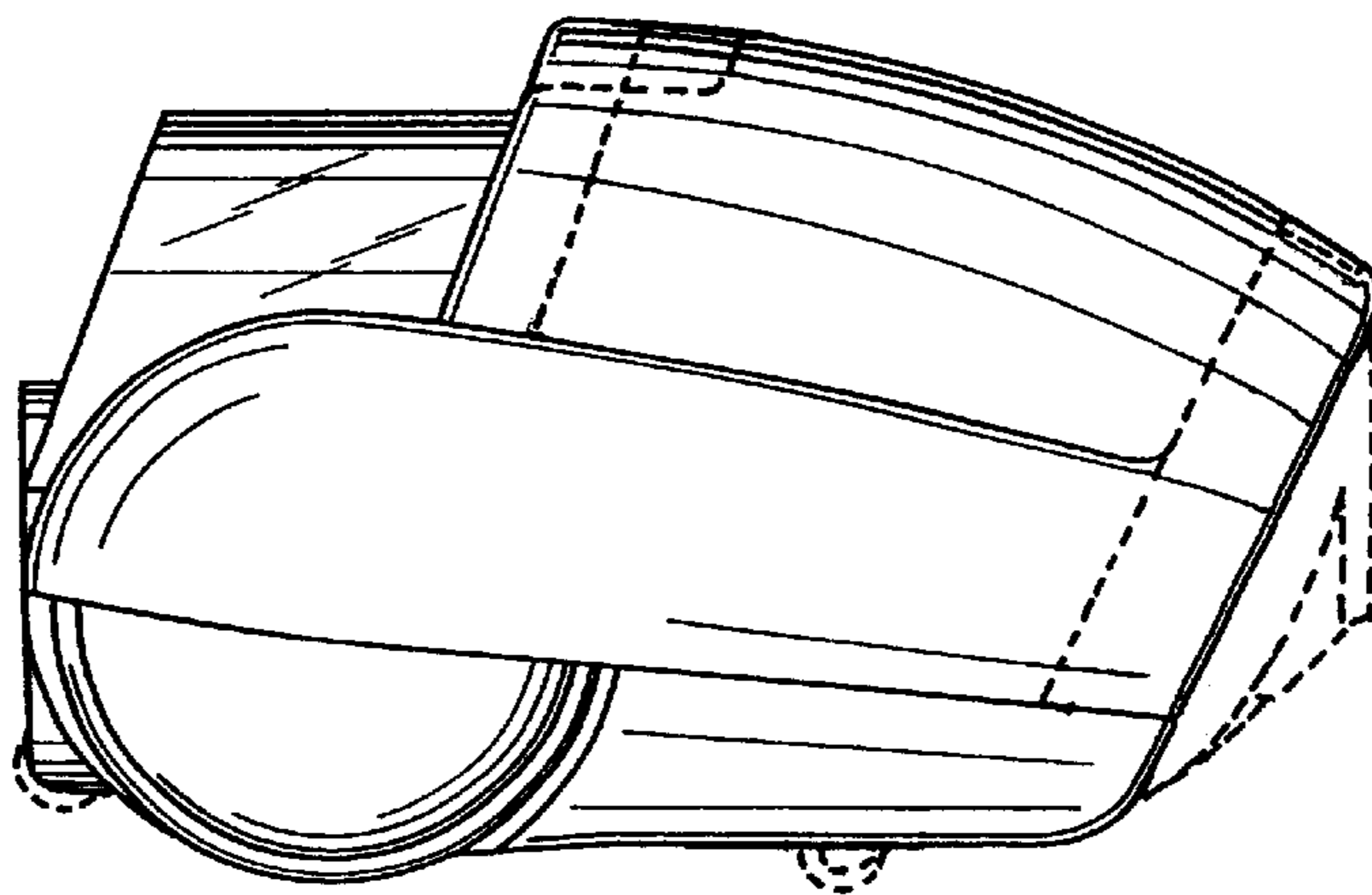


FIG. 6

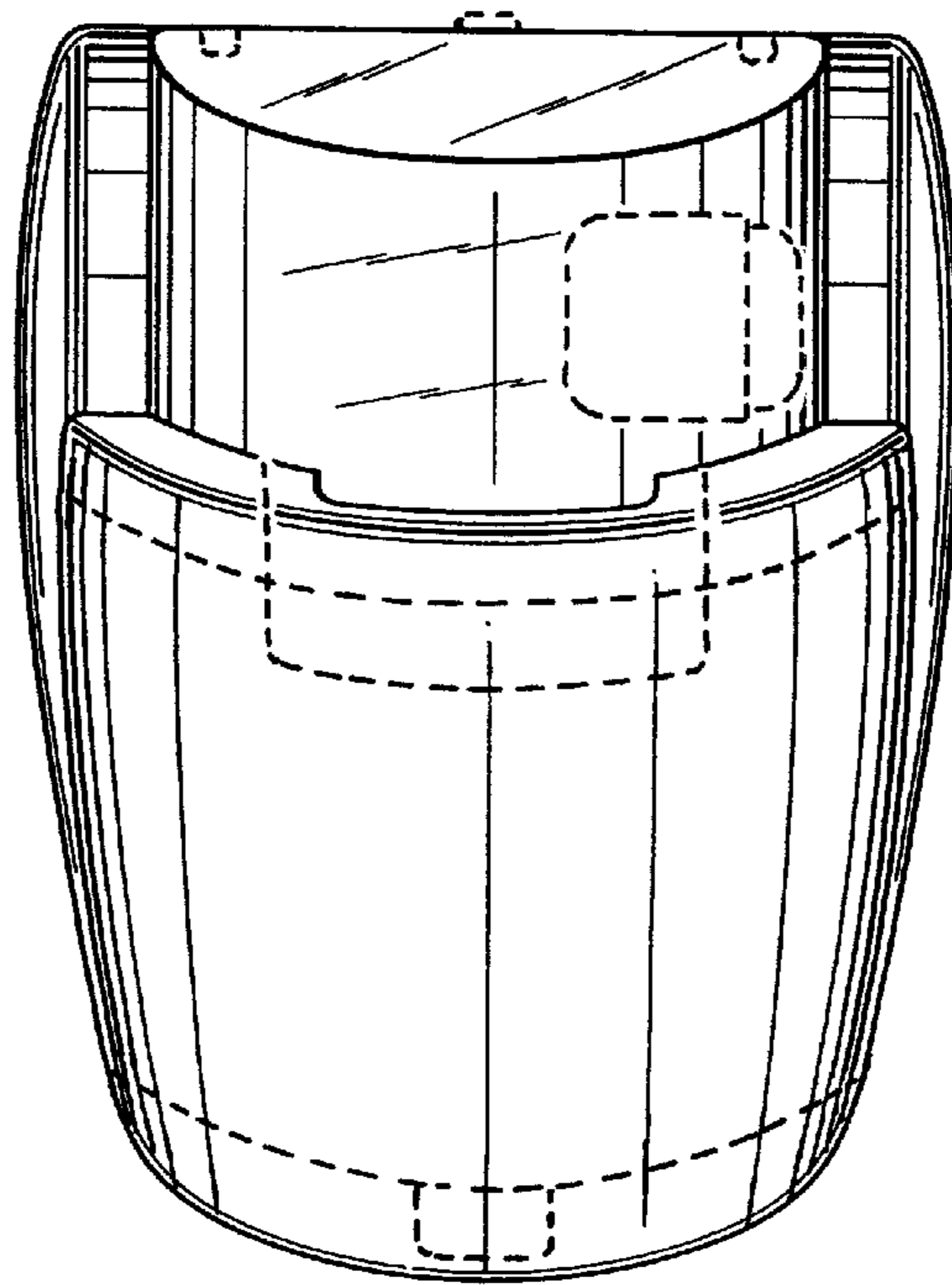


FIG. 7

