



US00D446611B1

(12) **United States Design Patent**
Gunter

(10) **Patent No.:** **US D446,611 S**

(45) **Date of Patent:** **** Aug. 14, 2001**

(54) **HEIGHT ADJUSTABLE DOG AND CAT FEEDING TABLE WITH REMOVABLE FEEDING CONTAINERS**

5,501,176 3/1996 Tully 119/61
5,509,376 * 4/1996 Tsengas 119/51.5

FOREIGN PATENT DOCUMENTS

(76) **Inventor:** **David Hugh Gunter**, 6 Bluebell Court, Tycanol, Cwmbbran, Gwent (GB)

3300770-A1 1/1983 (DE) .
0732051 A1 9/1996 (EP) .
2035033A 10/1979 (GB) .
2188525A 10/1987 (GB) .
2277014A 10/1994 (GB) .

(**) **Term:** **14 Years**

* cited by examiner

(21) **Appl. No.:** **29/127,723**

(22) **Filed:** **Aug. 10, 2000**

Primary Examiner—Pamela Burgess

(30) **Foreign Application Priority Data**

(74) *Attorney, Agent, or Firm*—David P Gordon; David S Jacobson; Thomas A Gallagher

Feb. 11, 2000 (GB) 2090249

(57) **CLAIM**

(51) **LOC (7) Cl.** **30-03**

The design for a height adjustable dog and cat feeding table with removable feeding containers, as shown and described.

(52) **U.S. Cl.** **D30/130; D30/131; 119/51.01**

(58) **Field of Search** D30/133, 130, D30/121, 129, 131, 55; 119/61, 62, 51.01, 52.03, 52.04, 57.9, 74, 77, 51.05; D7/550.1, 551.1; 220/263

DESCRIPTION

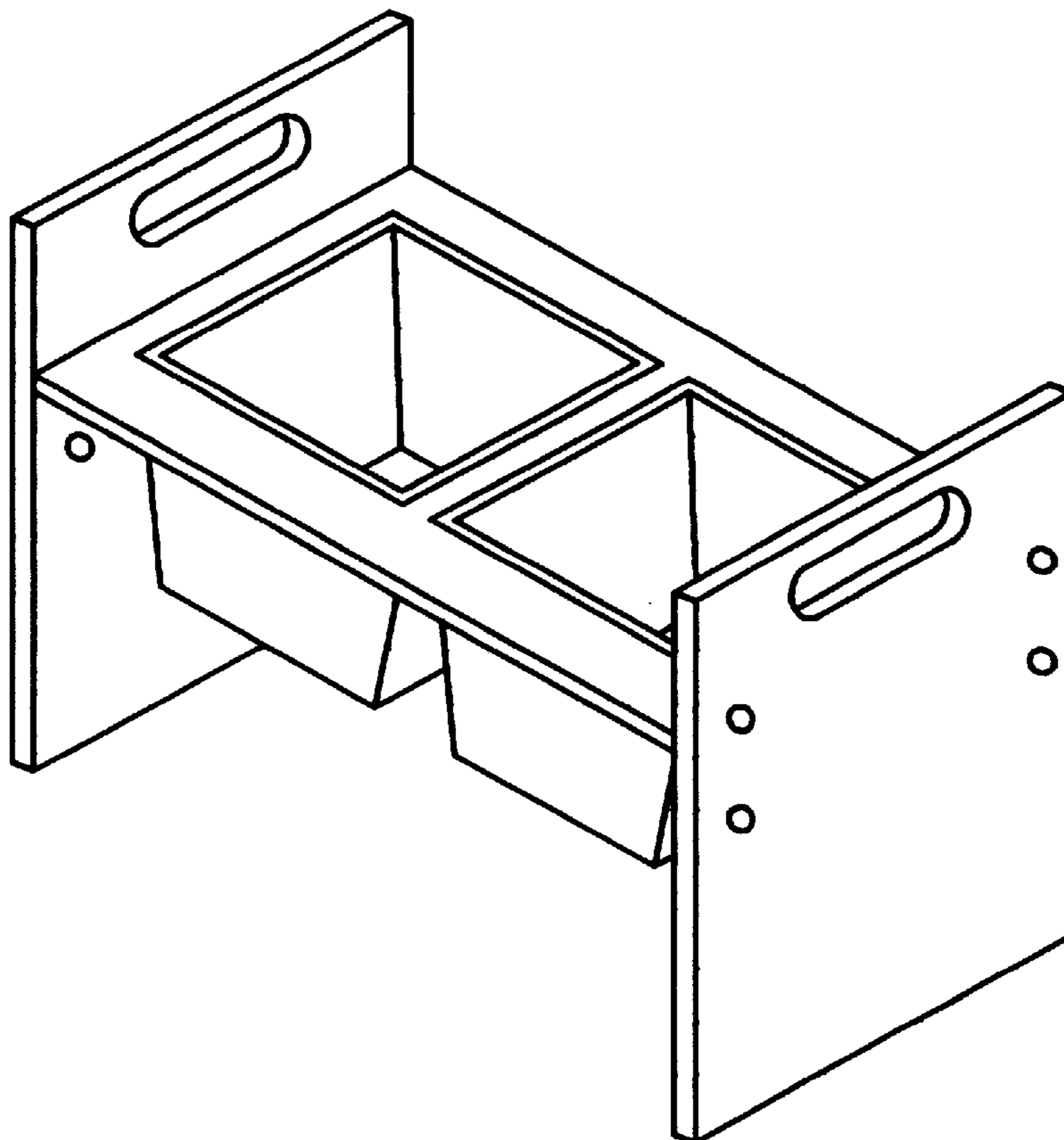
(56) **References Cited**

FIG. 1 is a top perspective view of a height adjustable dog and cat feeding table with removable feeding containers showing my new design;
FIG. 2 is an end view thereof, the opposite end being the same;
FIG. 3 is a side elevational view thereof, the opposite side being the same;
FIG. 4 is a top plan view thereof; and,
FIG. 5 is a bottom plan view thereof.

U.S. PATENT DOCUMENTS

D. 374,517 * 10/1996 Morrill D30/133
D. 414,303 * 9/1999 Sharon D30/130
D. 424,759 * 5/2000 Sipka D30/130
1,063,661 * 6/1913 Oritz, Jr. 119/61
2,845,896 * 8/1958 Copeland 119/51.01
4,658,759 4/1987 Brown 119/61

1 Claim, 2 Drawing Sheets



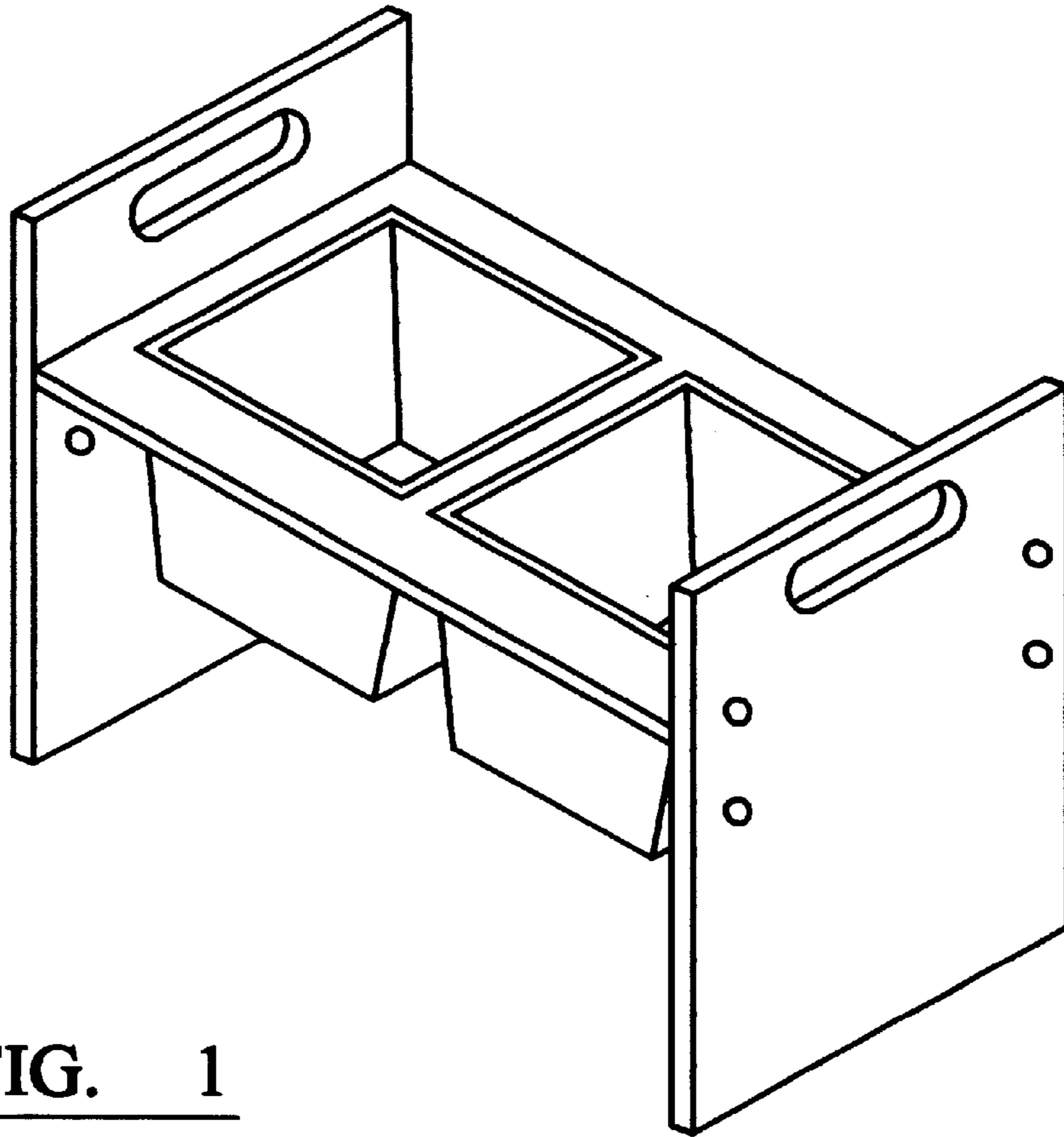


FIG. 1

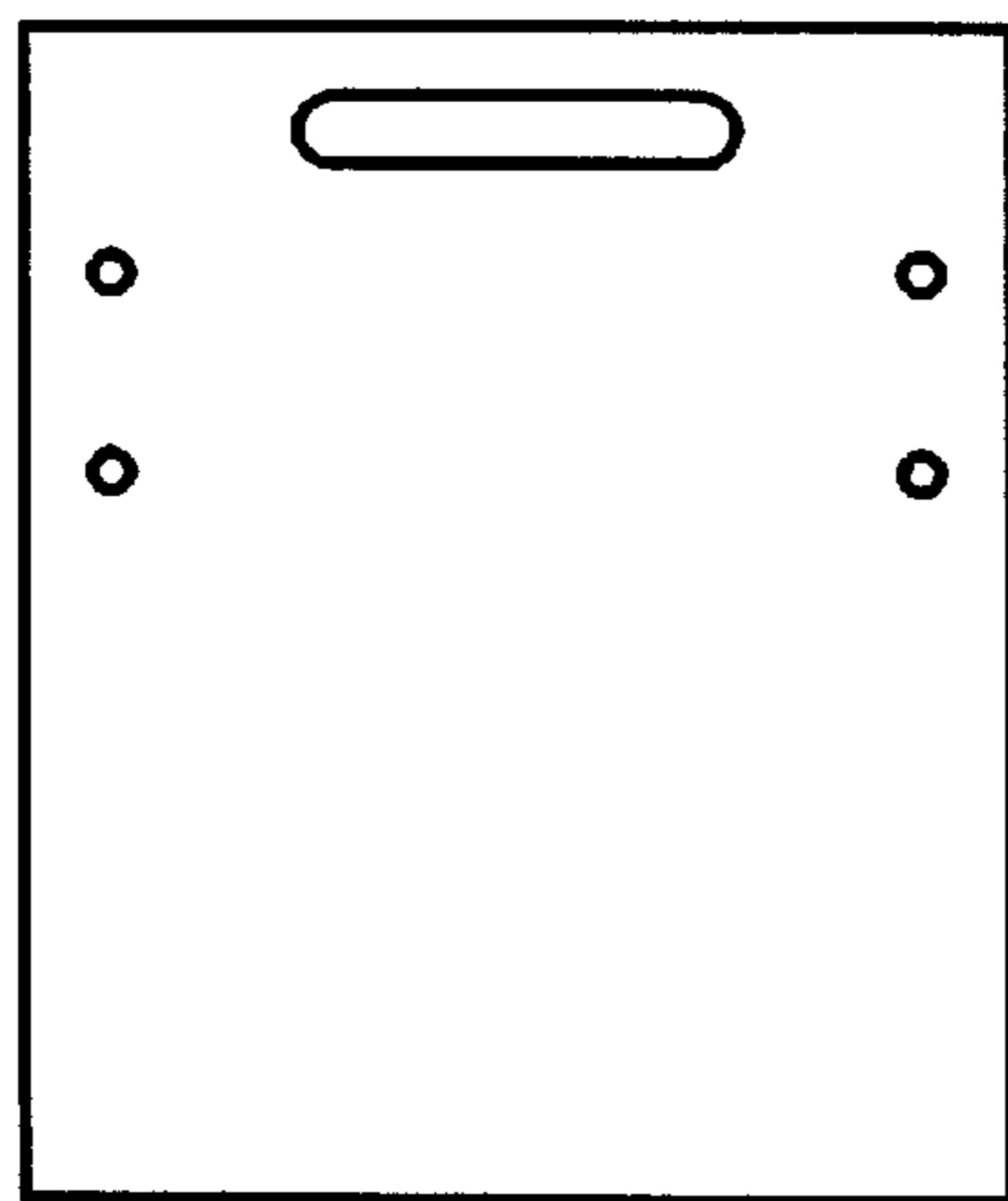


FIG. 2

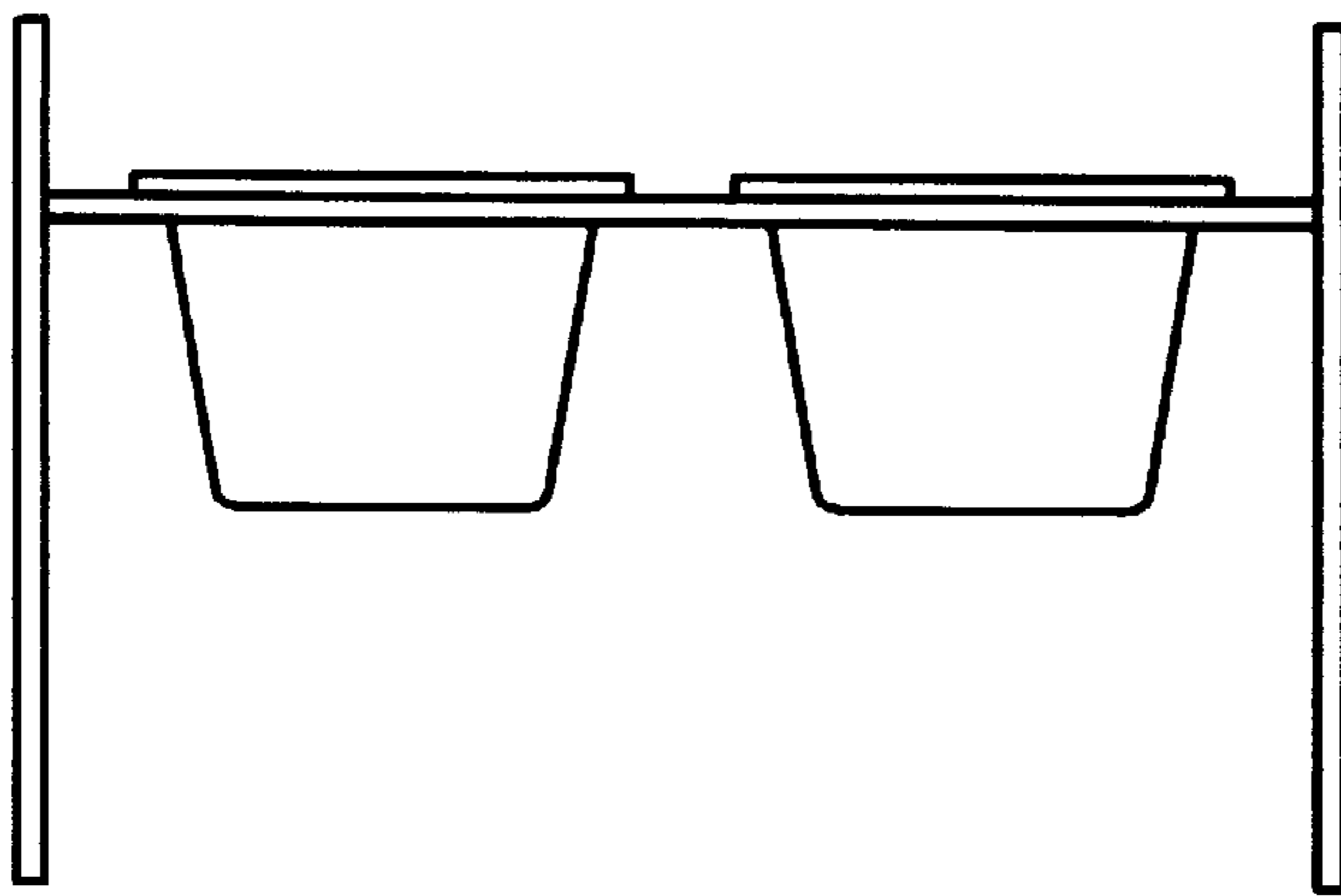


FIG. 3

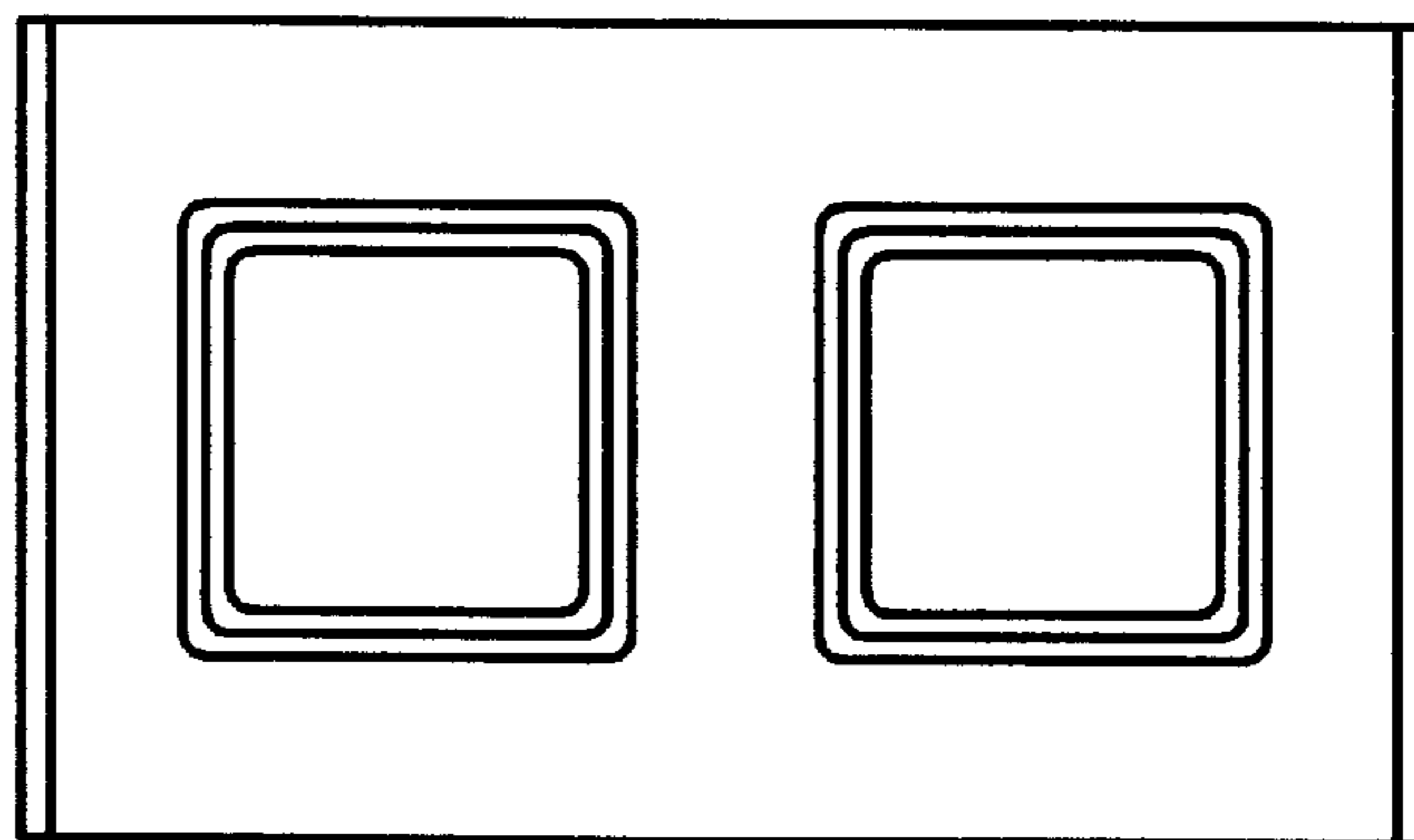


FIG. 4

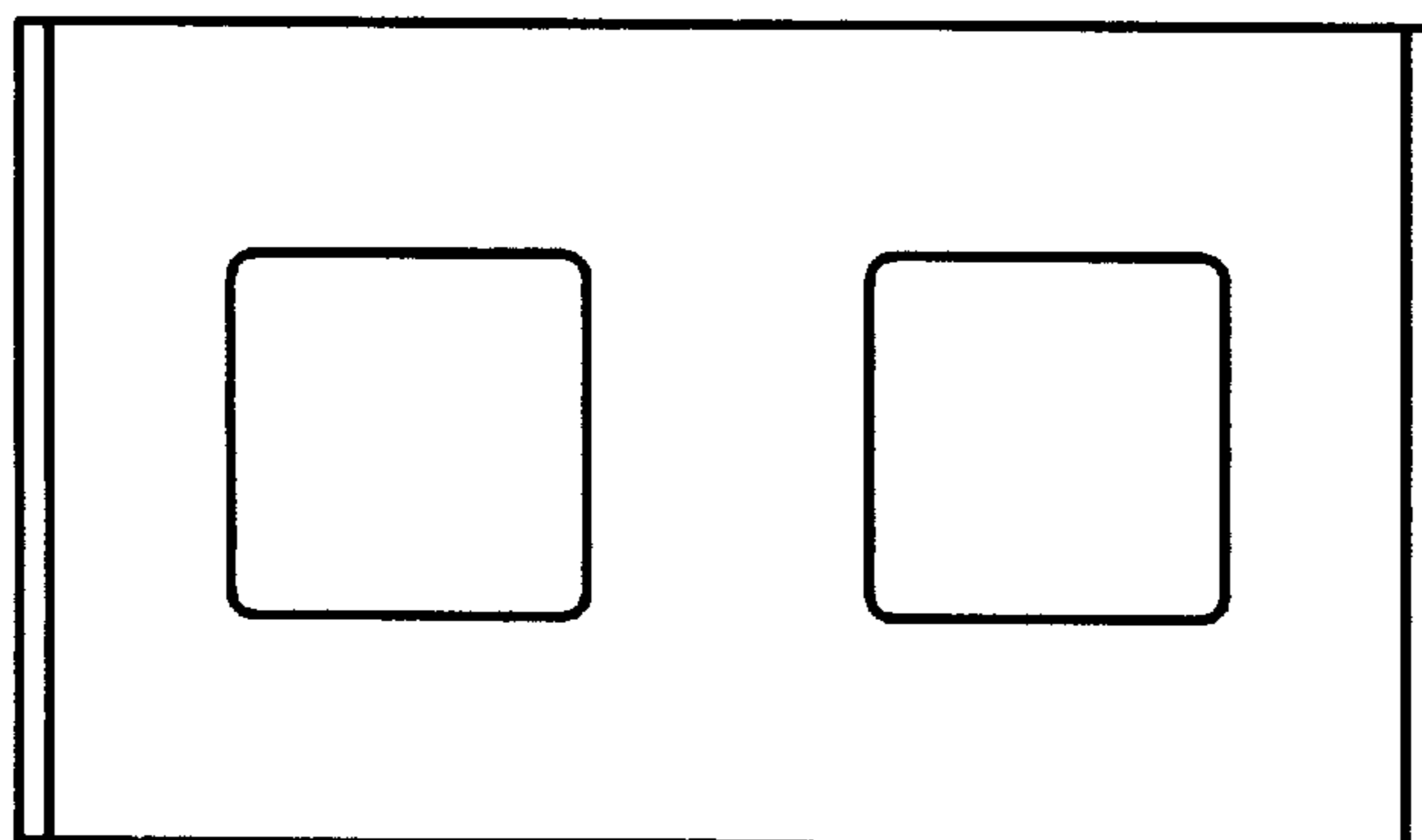


FIG. 5