



US00D446604B1

(12) **United States Design Patent**  
**Minami**

(10) **Patent No.:** **US D446,604 S**

(45) **Date of Patent:** **\*\* Aug. 14, 2001**

(54) **HOOD FOR AN AUTOMATIC HAIR WASHER**

(75) Inventor: **Nobuyuki Minami**, Osaka (JP)

(73) Assignee: **Oohiro Works, Ltd.**, Osaka (JP)

(\*\*) Term: **14 Years**

(21) Appl. No.: **29/124,738**

(22) Filed: **Jun. 9, 2000**

(30) **Foreign Application Priority Data**

Dec. 17, 1999 (JP) ..... 11-34789

(51) **LOC (7) Cl.** ..... **28-03**

(52) **U.S. Cl.** ..... **D28/20**

(58) **Field of Search** ..... D28/9, 10, 20,  
D28/19, 99; D32/1; 132/212, 272, 333;  
4/515-523

(56) **References Cited**

**U.S. PATENT DOCUMENTS**

- D. 257,291 \* 10/1980 Losenno ..... D28/19
- 2,854,970 \* 10/1958 Nolan ..... 601/159
- 3,521,647 \* 7/1970 Mercer ..... 132/272
- 5,025,514 \* 6/1991 Miller ..... 4/518
- 5,906,012 \* 5/1999 Sakane et al. .... 4/519

**FOREIGN PATENT DOCUMENTS**

- 406078824A \* 3/1994 (JP) ..... 4/519
- 406217820A \* 8/1994 (JP) ..... 4/519
- 916105 1/1995 (JP) .
- 916105-1 8/1999 (JP) .

**OTHER PUBLICATIONS**

“Aqua Vibro 2,” brochure issued by Takara Belmont Group, Japanese Design Application HC10018535 filed Aug. 25, 1998.

“Auto Shampoo Shamplize,” a brochure issued by Oohiro Works, Ltd.

“Auto Shampoo Shamplize II 2001,” a brochure issued by Oohiro Works, Ltd.

“Beauty Salon Equipment Lineup Catalog,” a brochure issued by Takara Belmont Group, featuring “Aqua Vibro 802”.

“SAS1200 Kikuboshizenjidousenpatsuki Auto Shampoo,” an automatic shampoo machine developed by Kabushiki Kaisha Kikuboshi and Sanyo Electric Co., Ltd.

\* cited by examiner

*Primary Examiner*—Ted Shooman

*Assistant Examiner*—C Tuttle

(74) *Attorney, Agent, or Firm*—Burr & Brown

(57) **CLAIM**

The ornamental design for a hood for an automatic hair washer, as shown and described.

**DESCRIPTION**

FIG. 1 is a front view of a hood for an automatic hair washer in accordance with my new design;

FIG. 2 is a back view thereof;

FIG. 3 is a right side view thereof;

FIG. 4 is a left side view thereof;

FIG. 5 is a top view thereof;

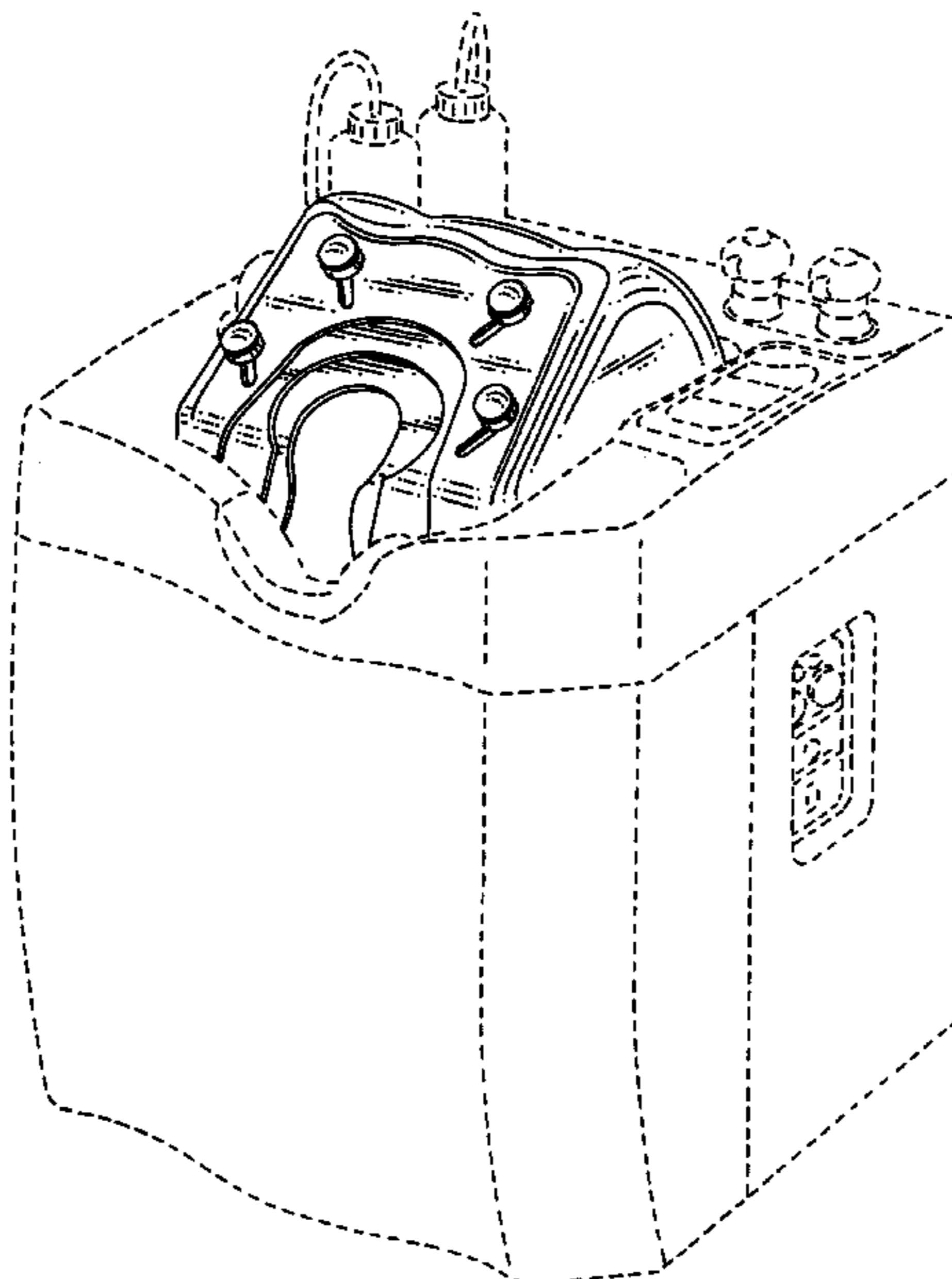
FIG. 6 is a bottom view thereof;

FIG. 7 is a perspective view showing the design in place in an automatic washer; and,

FIG. 8 is a perspective view showing the design without the environment shown in FIG. 7.

The broken line showing of the automatic washer is for illustrative purposes only and forms no part of the claimed design.

**1 Claim, 4 Drawing Sheets**



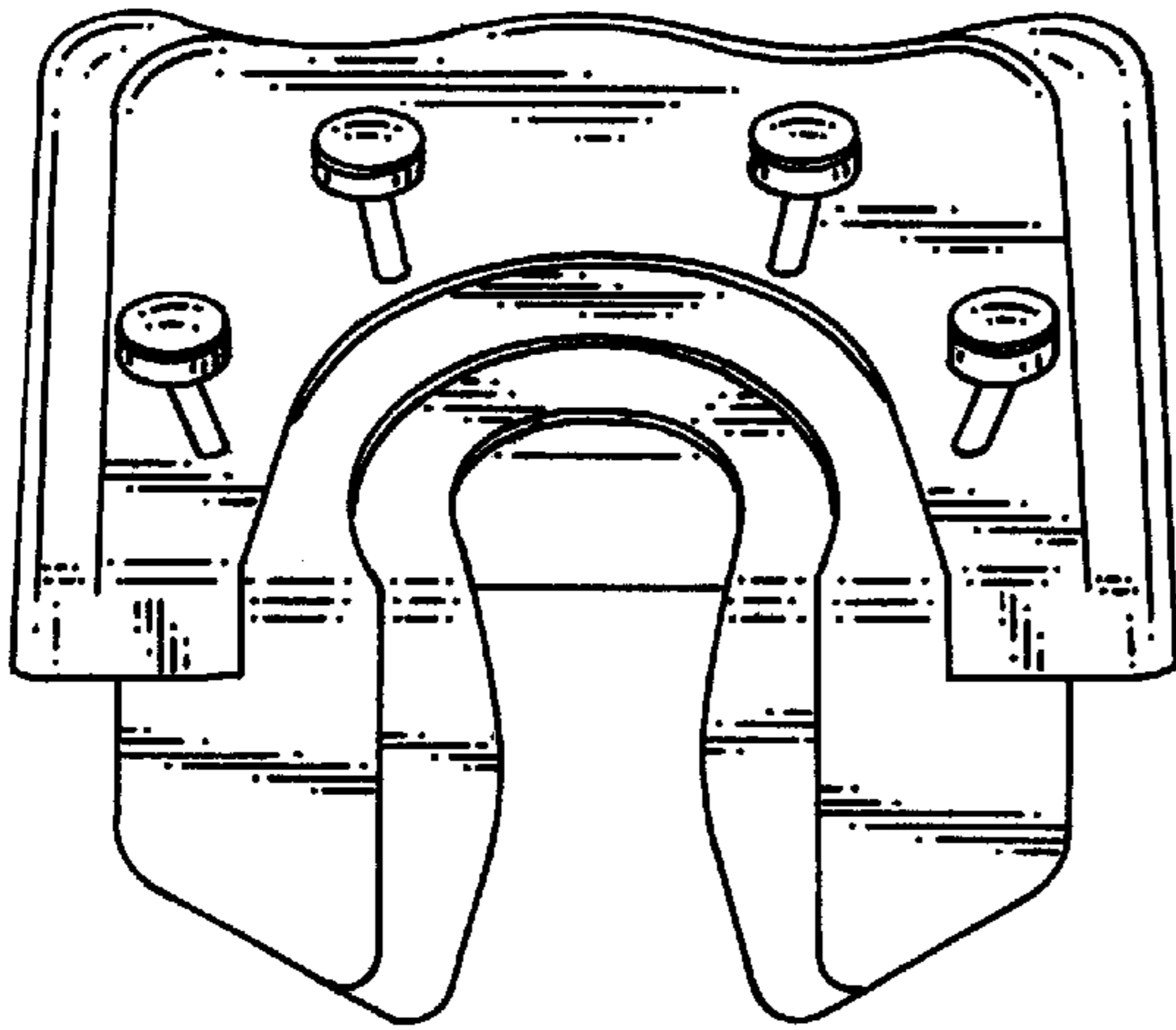


FIG. 1

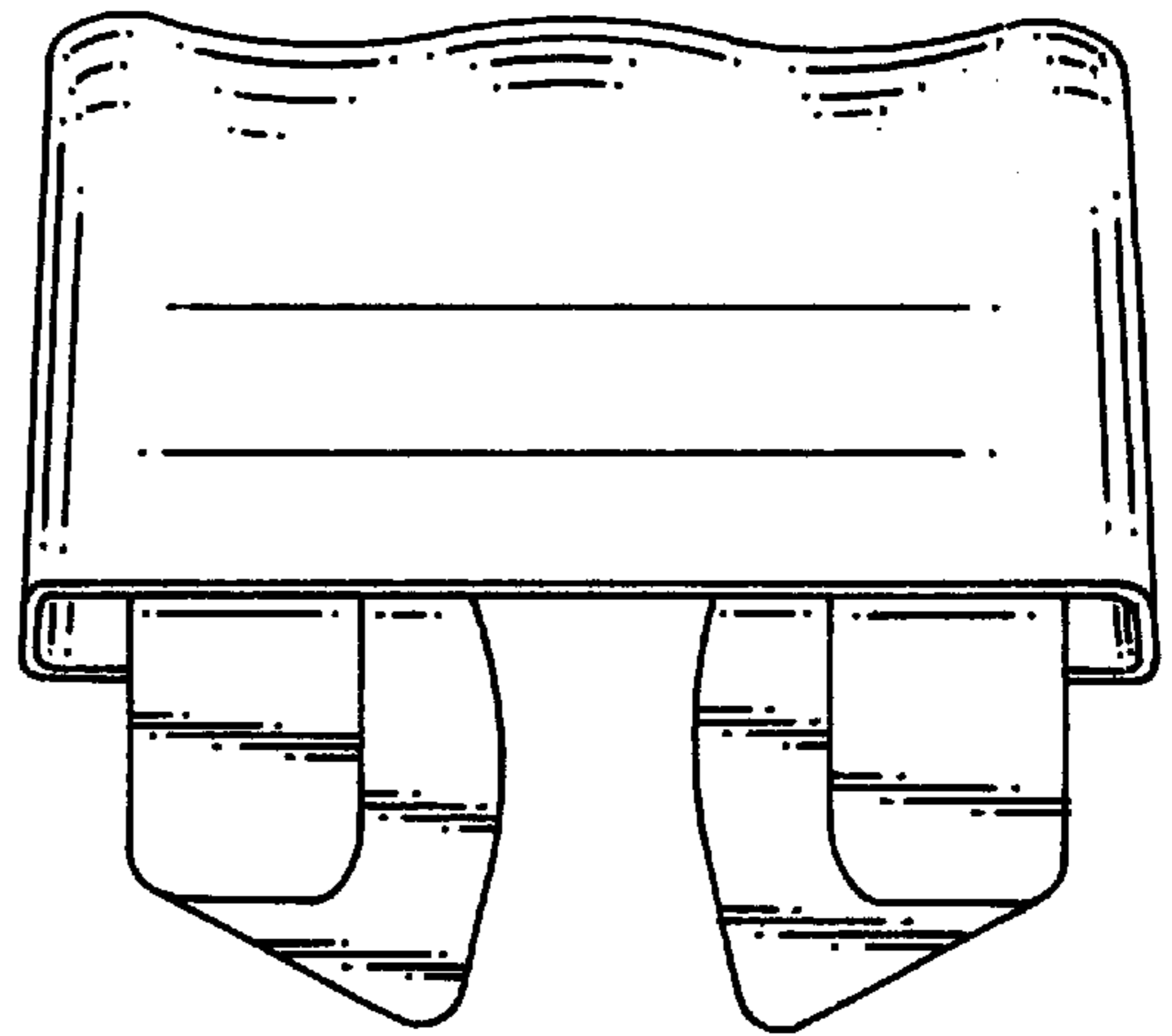


FIG. 2

FIG. 3

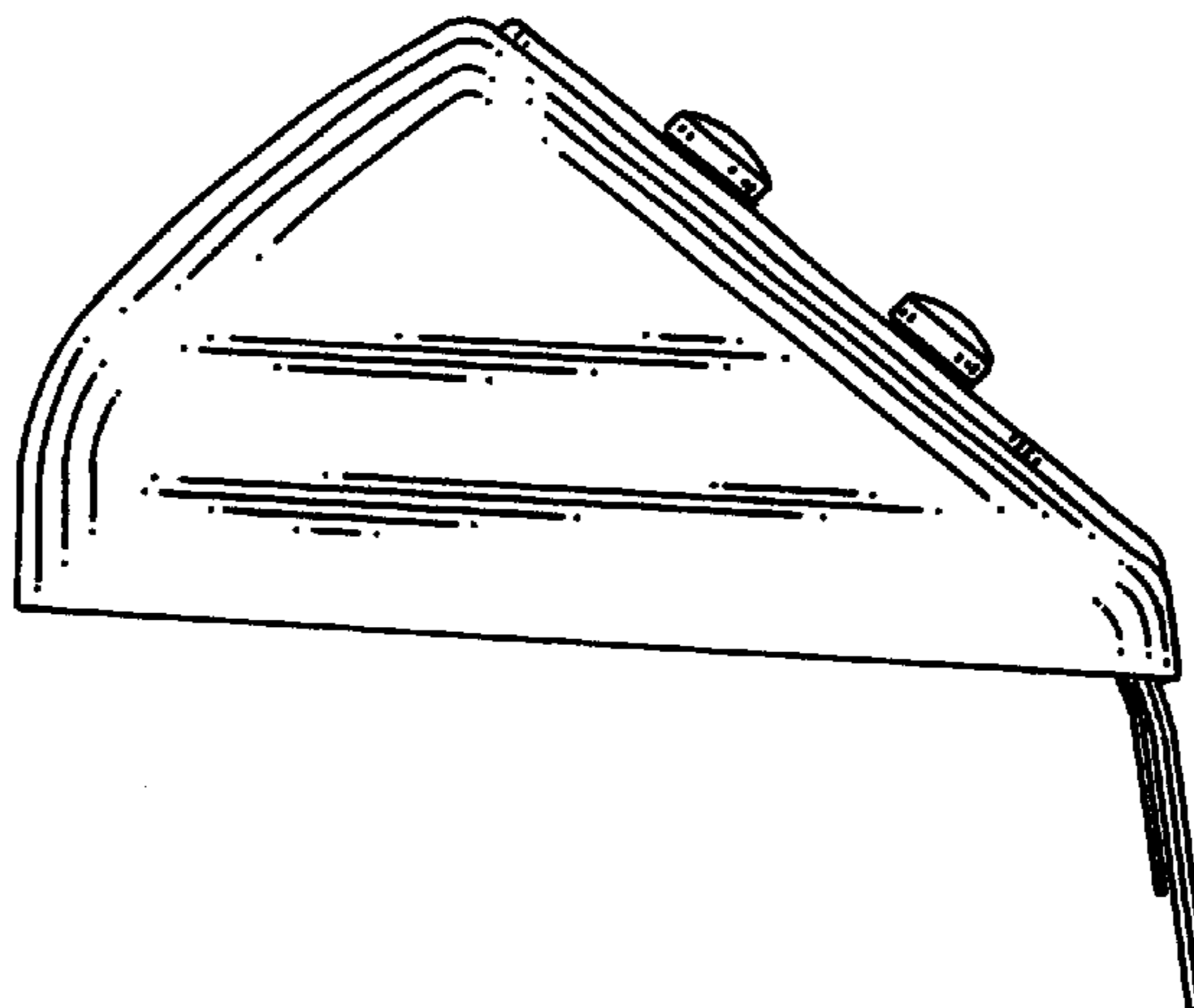
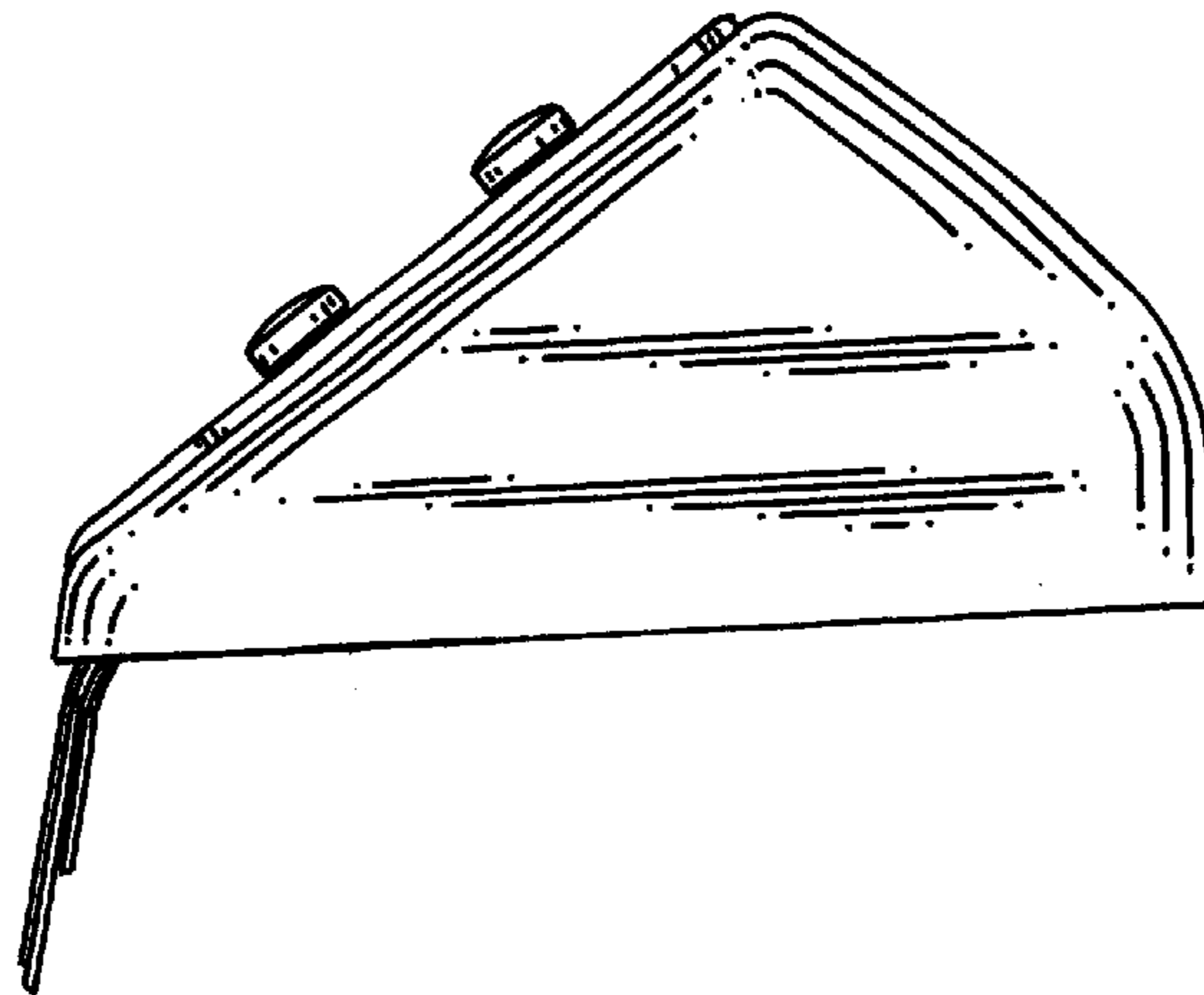


FIG. 4

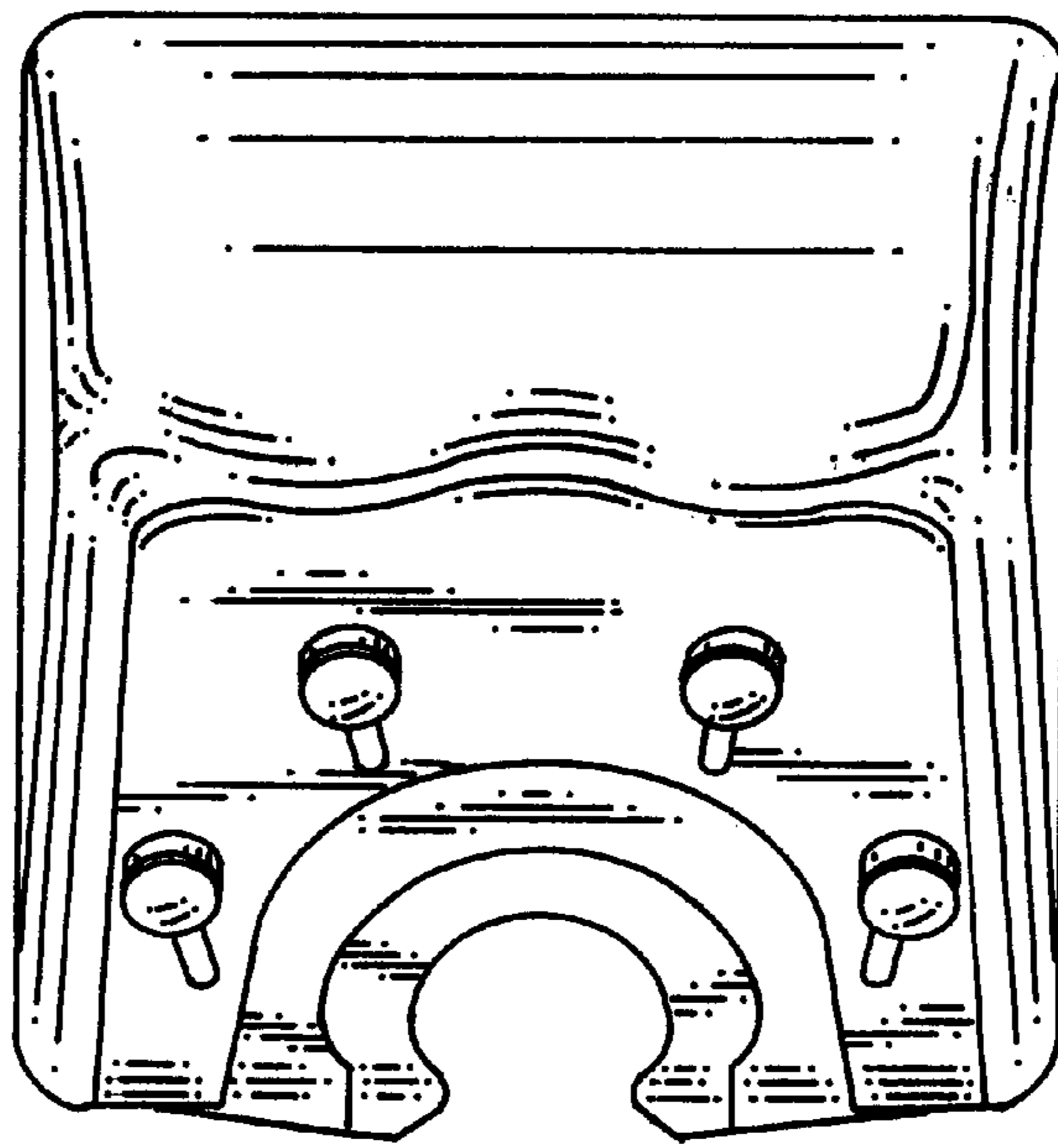


FIG. 5

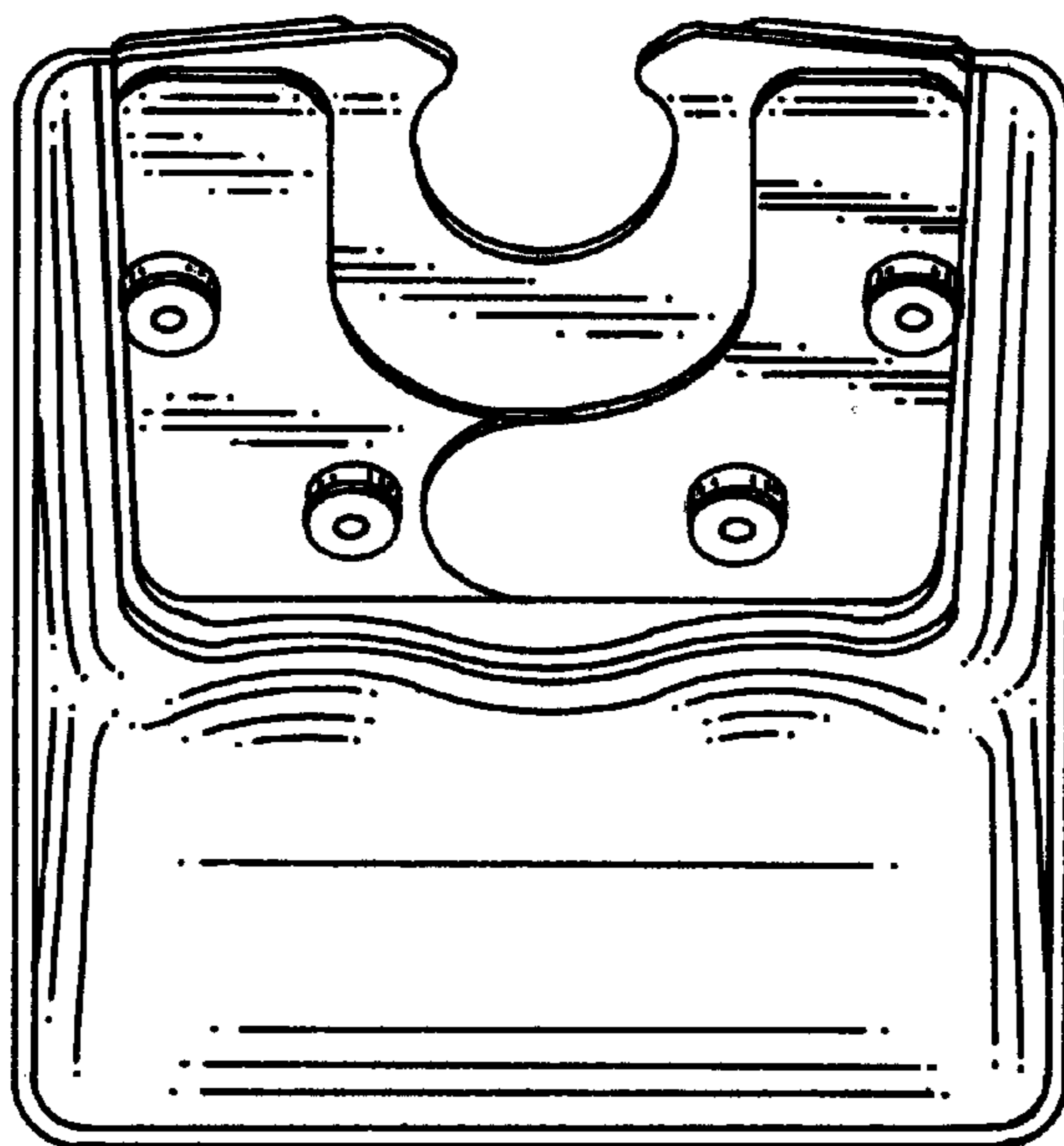


FIG. 6

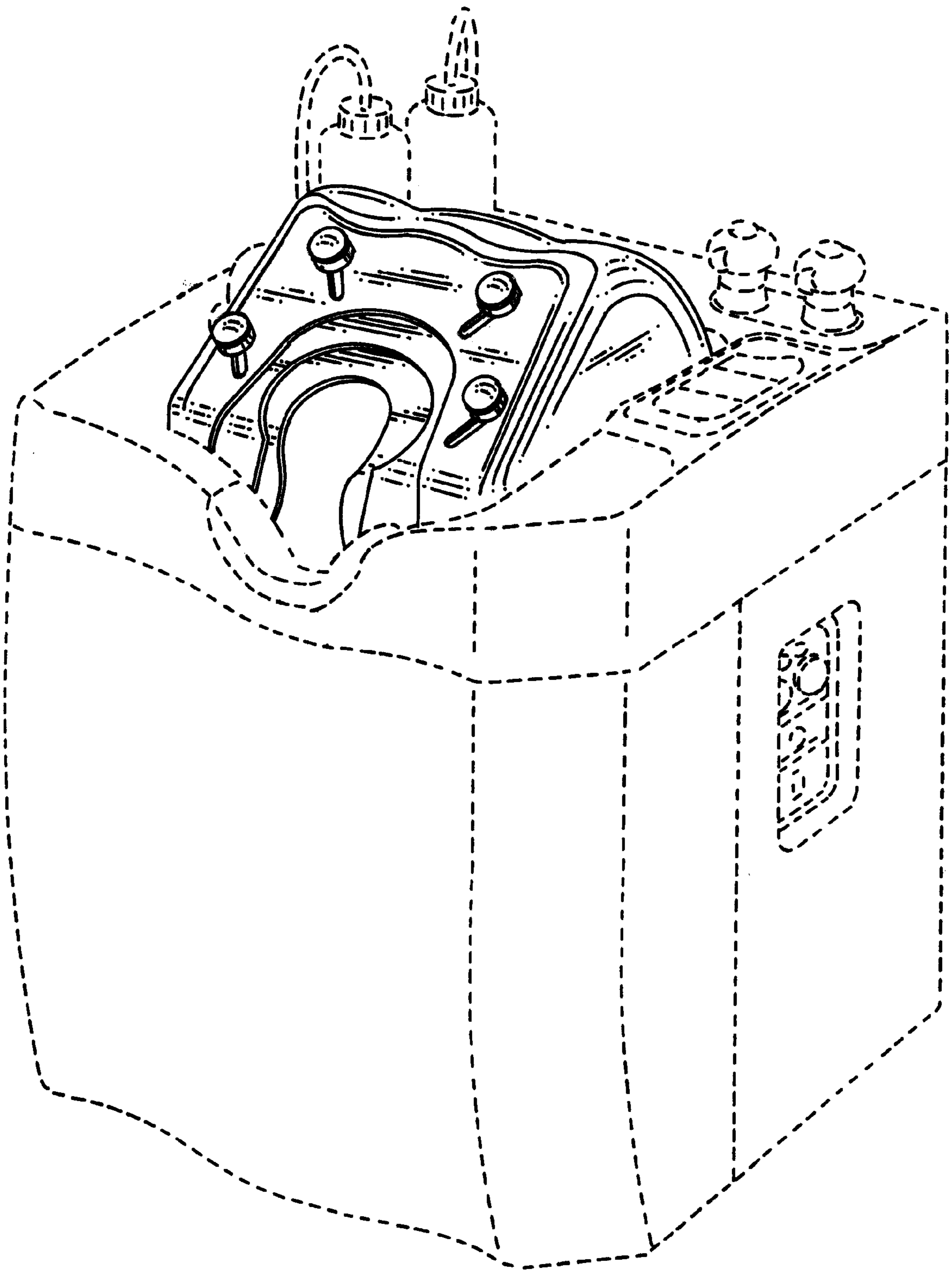


FIG. 7

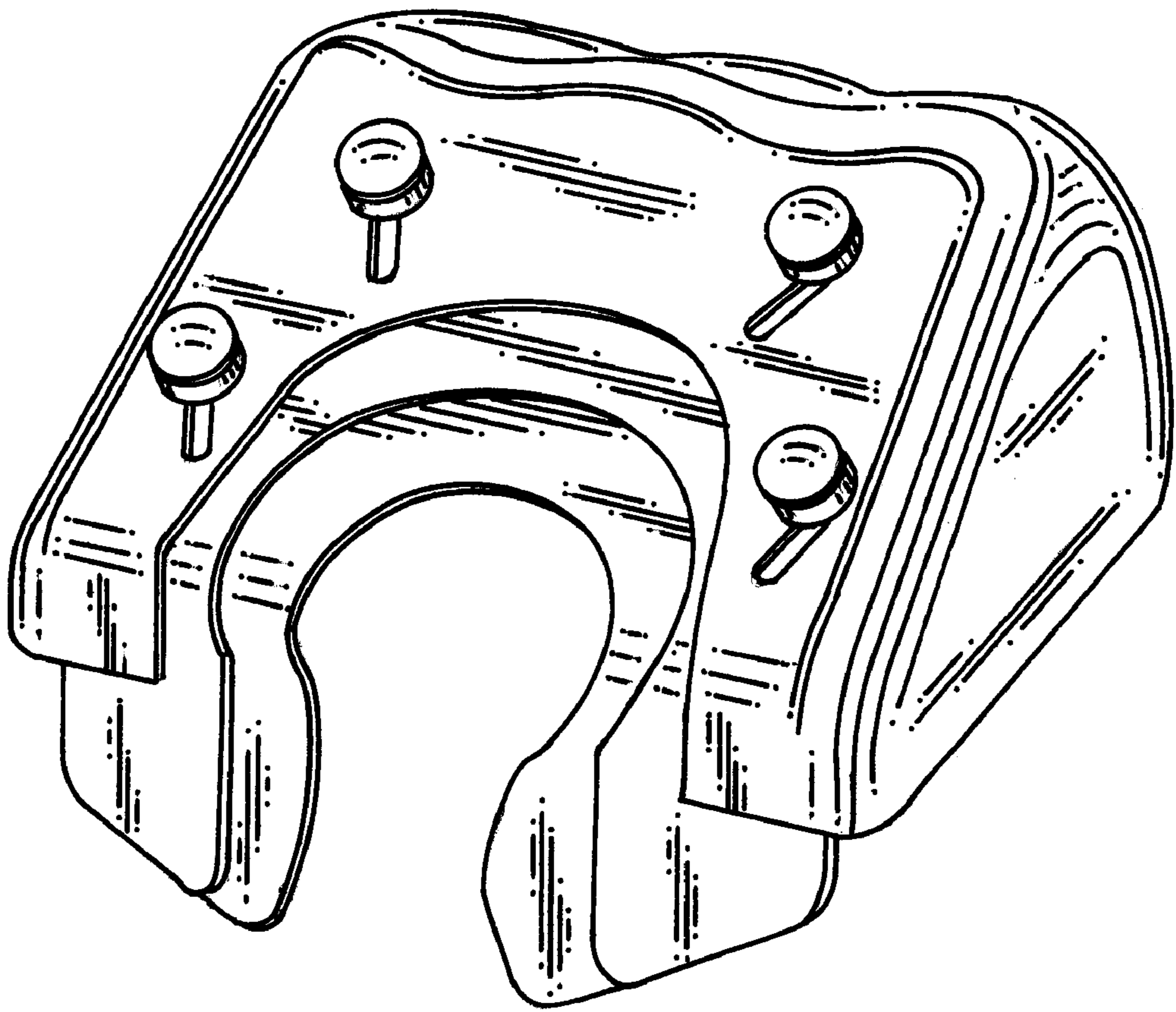


FIG.8