



US00D446601B1

(12) **United States Design Patent**
Fisher et al.

(10) **Patent No.:** **US D446,601 S**

(45) **Date of Patent:** **** Aug. 14, 2001**

(54) **COMBINED ASHTRAY AND CIGARETTE BOX**

5,996,588 * 12/1999 Abrines Amer 131/235.1 X

* cited by examiner

(75) Inventors: **Gary Alan Fisher; Hiu Kwan Hui,**
both of Kowloon Bay (HK)

Primary Examiner—Alan P. Douglas

Assistant Examiner—Jennifer Rivard

(73) Assignee: **OneWorld Enterprises, Ltd.,** Hong Kong (HK)

(74) *Attorney, Agent, or Firm*—Cowan, Liebowitz & Latman

(**) Term: **14 Years**

(57) **CLAIM**

(21) Appl. No.: **29/136,092**

An ornamental design for a combined ashtray and cigarette box, as shown and described.

(22) Filed: **Jan. 24, 2001**

DESCRIPTION

(30) **Foreign Application Priority Data**

Nov. 15, 2000 (HK) 0011668

(51) **LOC (7) Cl.** **27-03**

(52) **U.S. Cl.** **D27/129; D27/187**

(58) **Field of Search** D27/127, 129,
D27/102, 189; 206/246, 256, 257, 259,
265, 268, 236; 131/231, 240.1, 238, 242

FIG. 1 is a front view of the combined ashtray and cigarette box;

FIG. 2 is a top view of the combined ashtray and cigarette box;

FIG. 3 is a side view of the combined ashtray and cigarette box, the opposite side view being a mirror image thereof;

FIG. 4 is a perspective view of the combined ashtray and cigarette box; and,

FIG. 5 is another perspective view of the combined ashtray and cigarette box and showing the box in the open position (cigarettes not considered part of design).

The broken line environmental showing is for illustrative purposes only and forms no part of the claimed design.

(56) **References Cited**

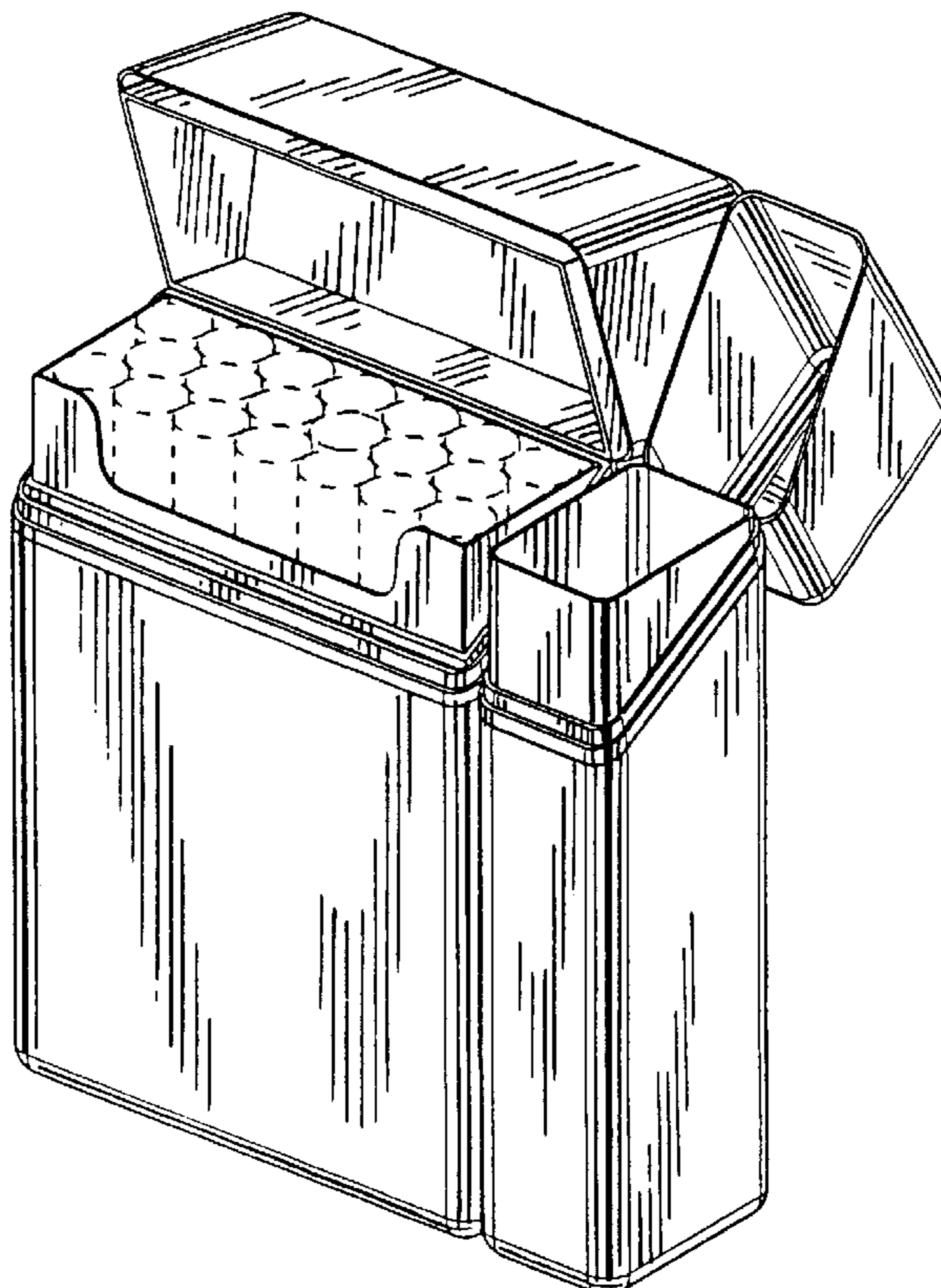
U.S. PATENT DOCUMENTS

D. 410,764 * 6/1999 Wilson D27/189 X

3,039,671 * 6/1962 Chiamardas 206/246 X

5,711,423 * 1/1998 Fuller, Jr. 206/246

1 Claim, 2 Drawing Sheets



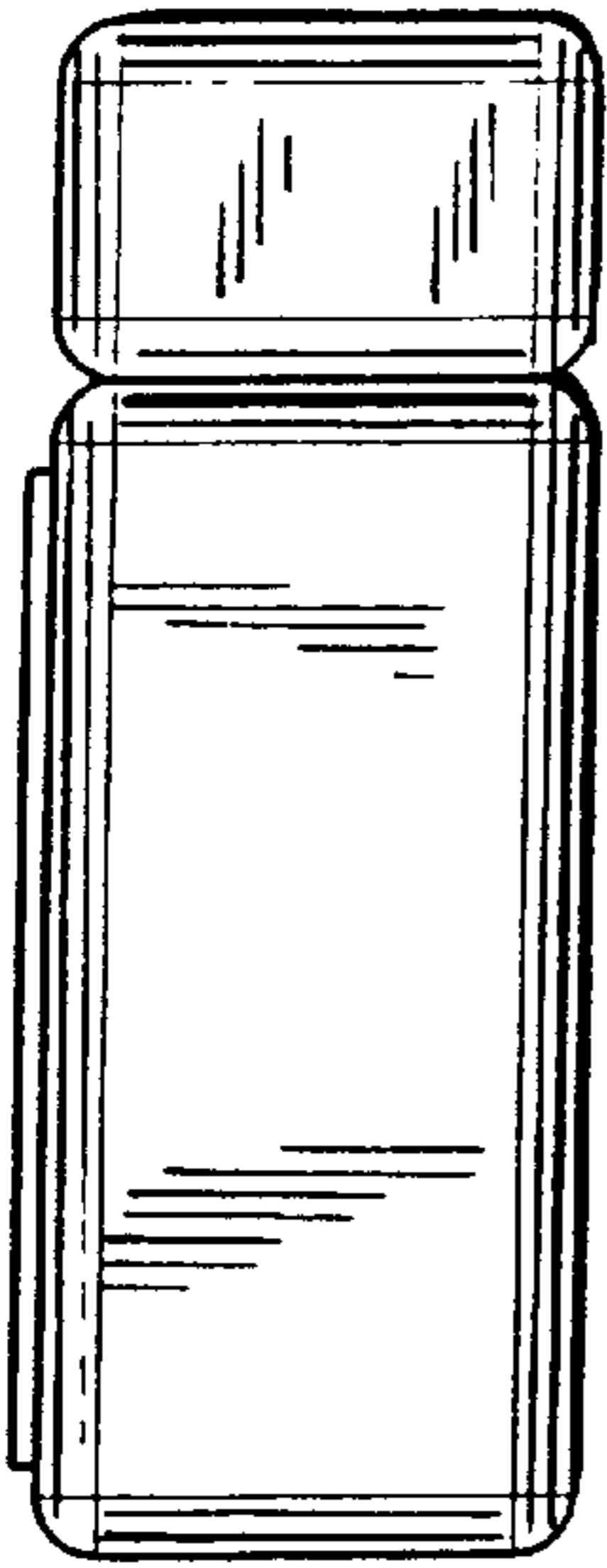


FIG. 2

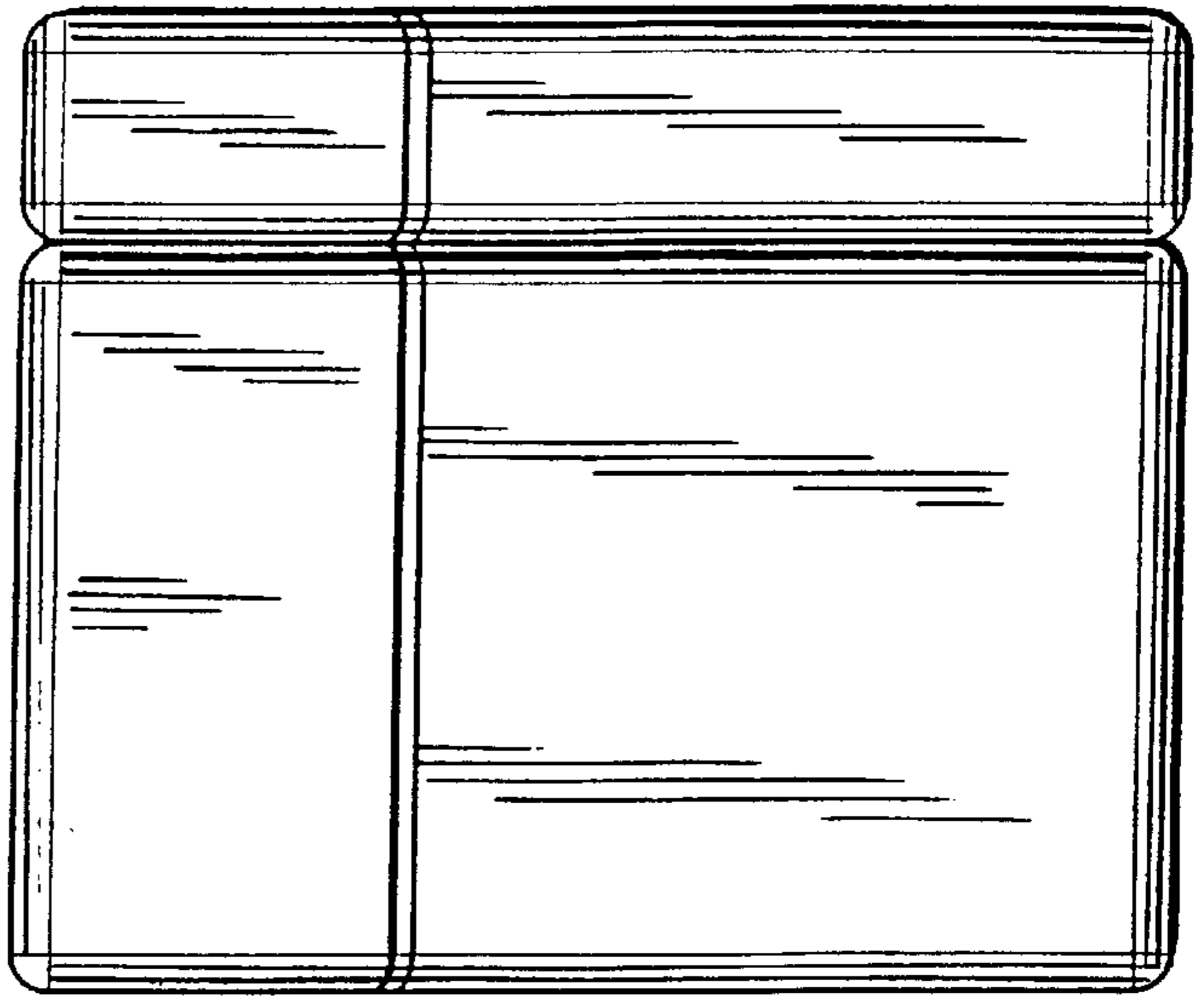


FIG. 1

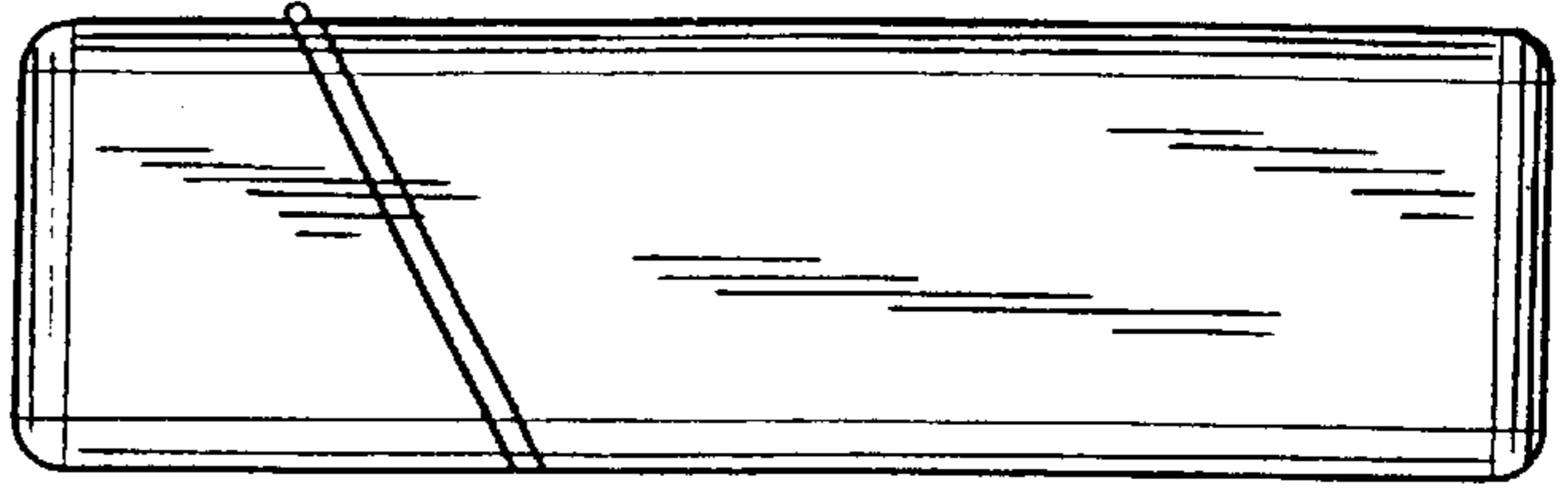


FIG. 3

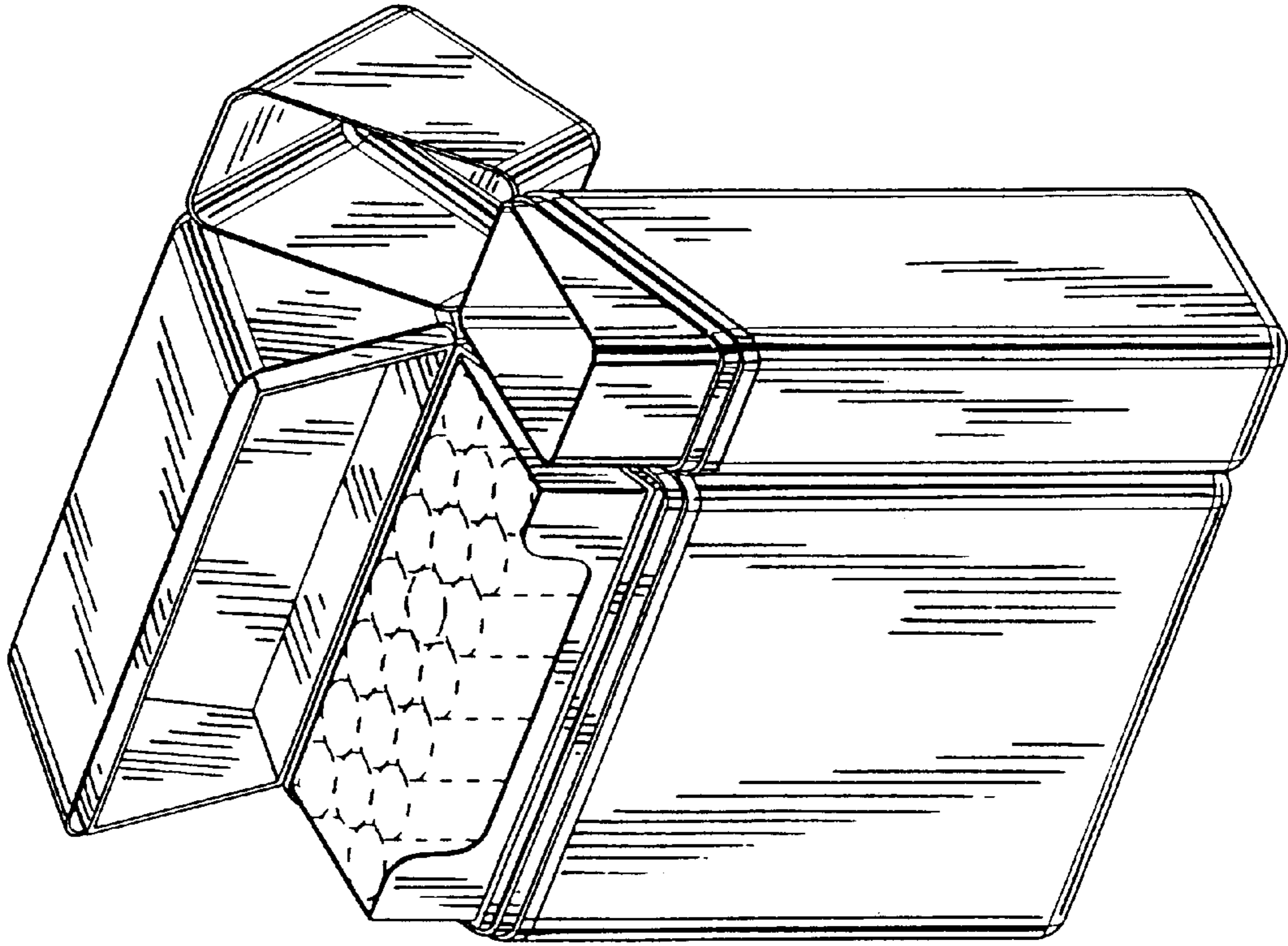


FIG. 5

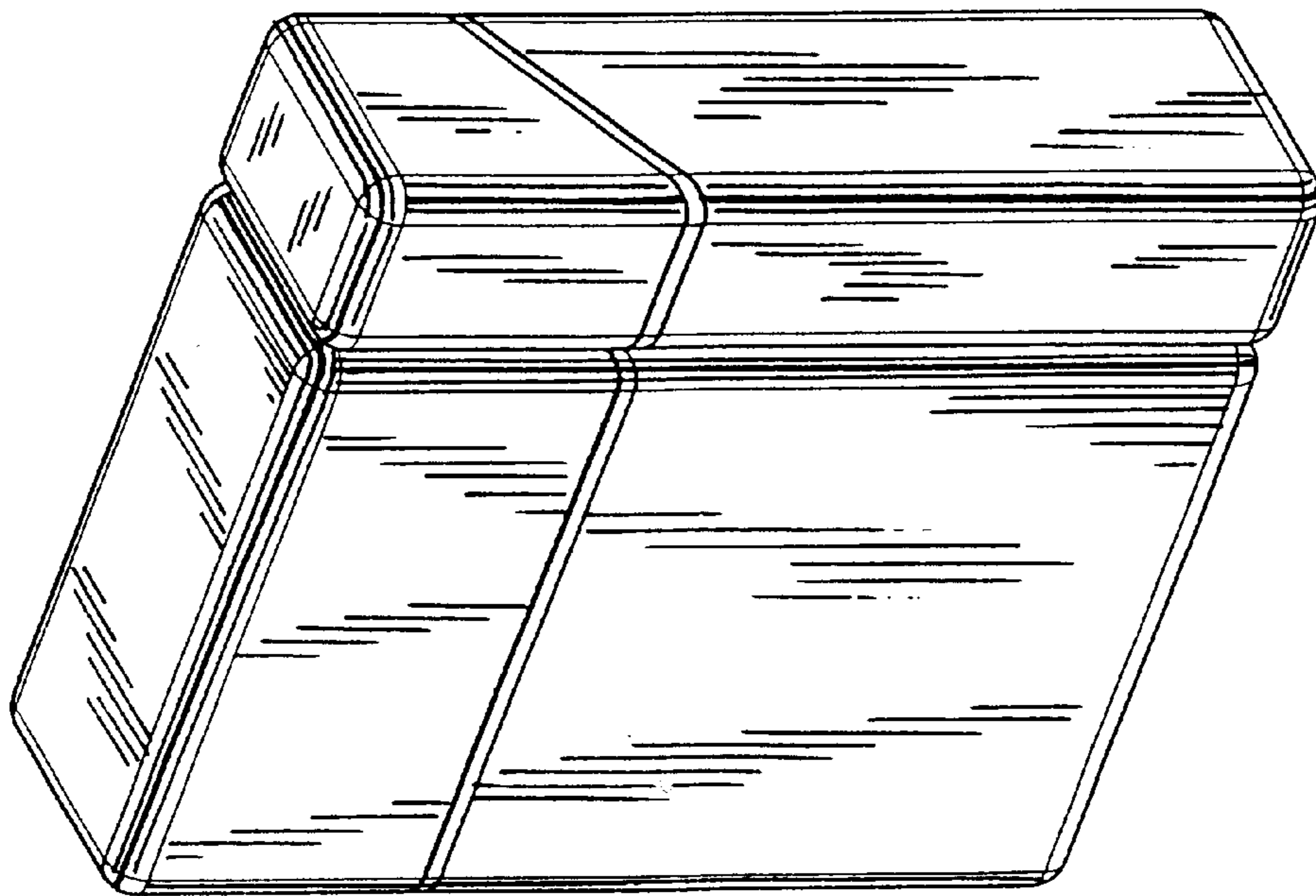


FIG. 4