



US00D446597B1

(12) **United States Design Patent**
Orozco

(10) **Patent No.:** **US D446,597 S**

(45) **Date of Patent:** **** Aug. 14, 2001**

(54) **LIGHT FIXTURE**

(75) Inventor: **Sergio J. Orozco**, West New York, NJ (US)

(73) Assignee: **Quoizel, Inc.**, Goose Creek, SC (US)

(**) Term: **14 Years**

(21) Appl. No.: **29/135,773**

(22) Filed: **Jan. 18, 2001**

(51) **LOC (7) Cl.** **26-05**

(52) **U.S. Cl.** **D26/87**

(58) **Field of Search** D26/87, 92, 155,
D26/142; 362/147, 435

(56) **References Cited**

PUBLICATIONS

Elgee lighting catalog; 1991, p. 33, wall lamp #!33-PB-W.*
Quoizel lighting catalog, 1990, p. 17, wall lamp #ML 804B.*

Taiwan Lighting catalog, Aug. 2000, p. 109.*

Item Nos. W5033-22, W1403-22 and W1403-77, Catalog p. 198, Minka Lavery Catalog entitled "A Treasury of American Home Lighting," 1997.

Item No. 5423, Catalog p. 187, Minka Lavery Catalog entitled "A Treasury of American Home Lighting," 1997.

* cited by examiner

Primary Examiner—Susan J. Lucas

(74) *Attorney, Agent, or Firm*—Nelson Mullins Riley & Scarborough

(57) **CLAIM**

The ornamental design of a light fixture, substantially as shown and described.

DESCRIPTION

FIG. 1 is a perspective view of a light fixture embodying the design of the present invention.

FIG. 2 is a front side elevational view of the light fixture illustrated in FIG. 1.

FIG. 3 is a top view of the light fixture illustrated in FIG. 1.

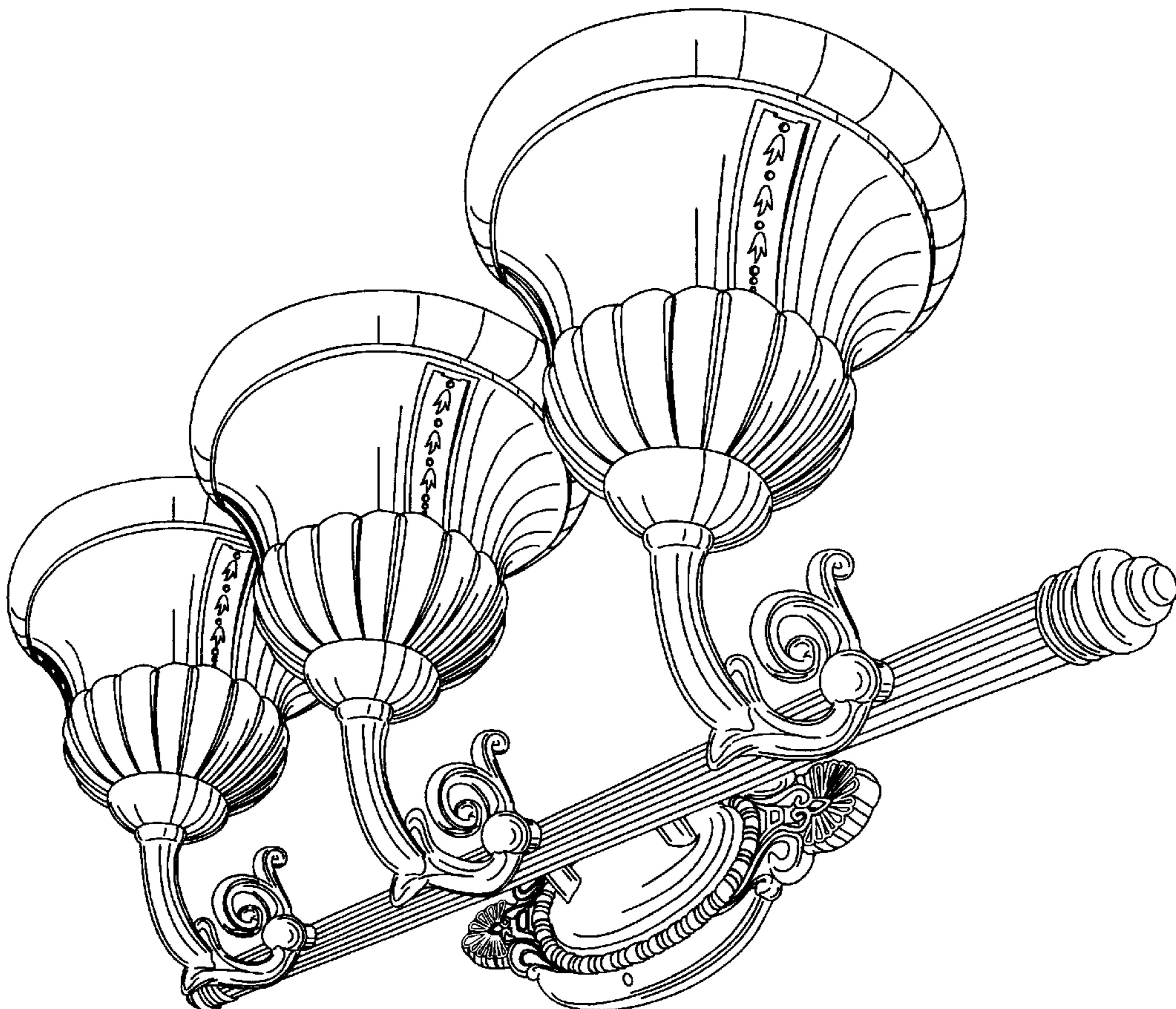
FIG. 4 is a left side elevational view of the light fixture illustrated in FIG. 1.

FIG. 5 is a right side elevational view of the light fixture illustrated in FIG. 1.

FIG. 6 is a back side elevational view of the light fixture illustrated in FIG. 1; and,

FIG. 7 is a bottom view of the light fixture illustrated in FIG. 1.

1 Claim, 7 Drawing Sheets



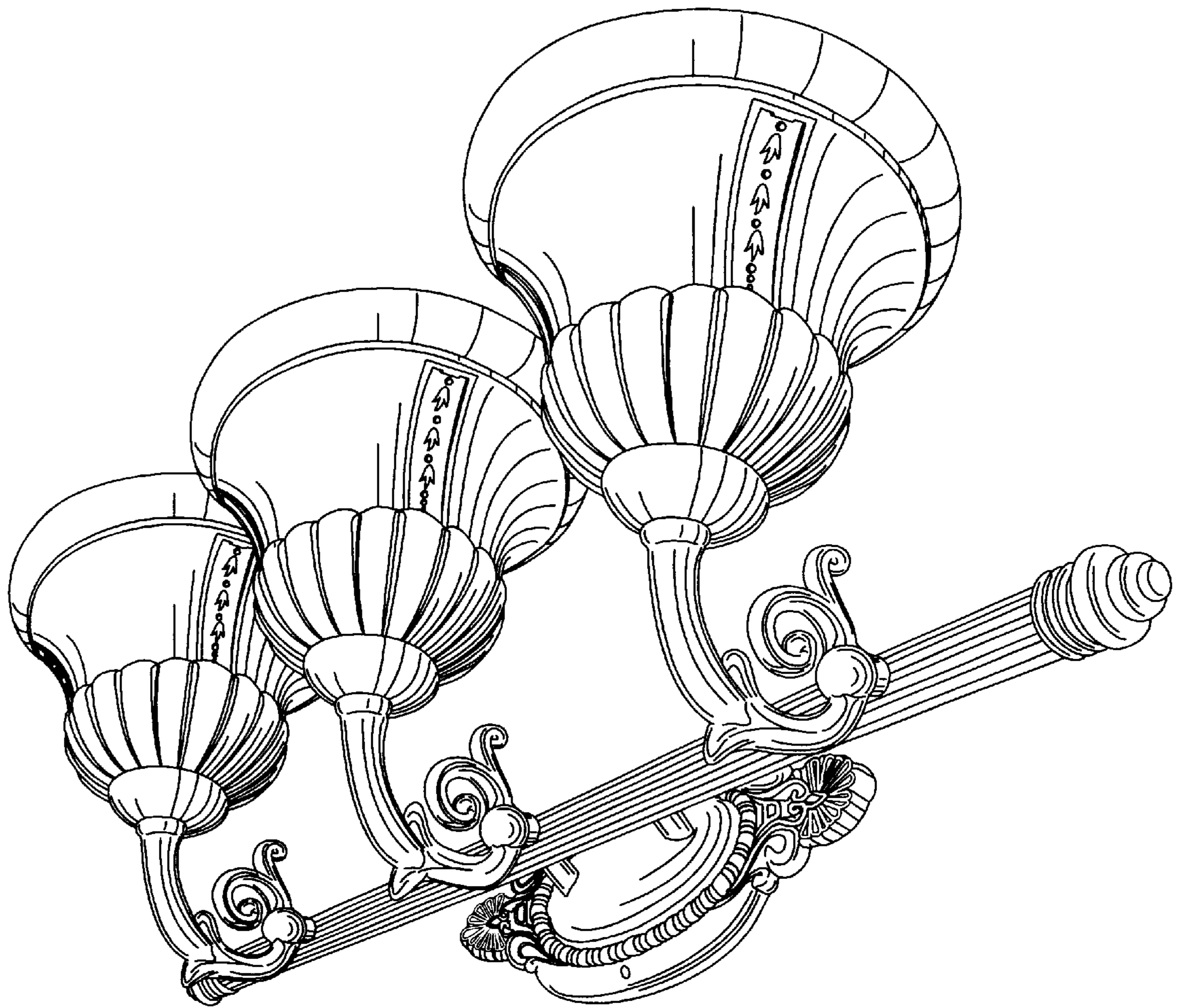


FIG. 1.

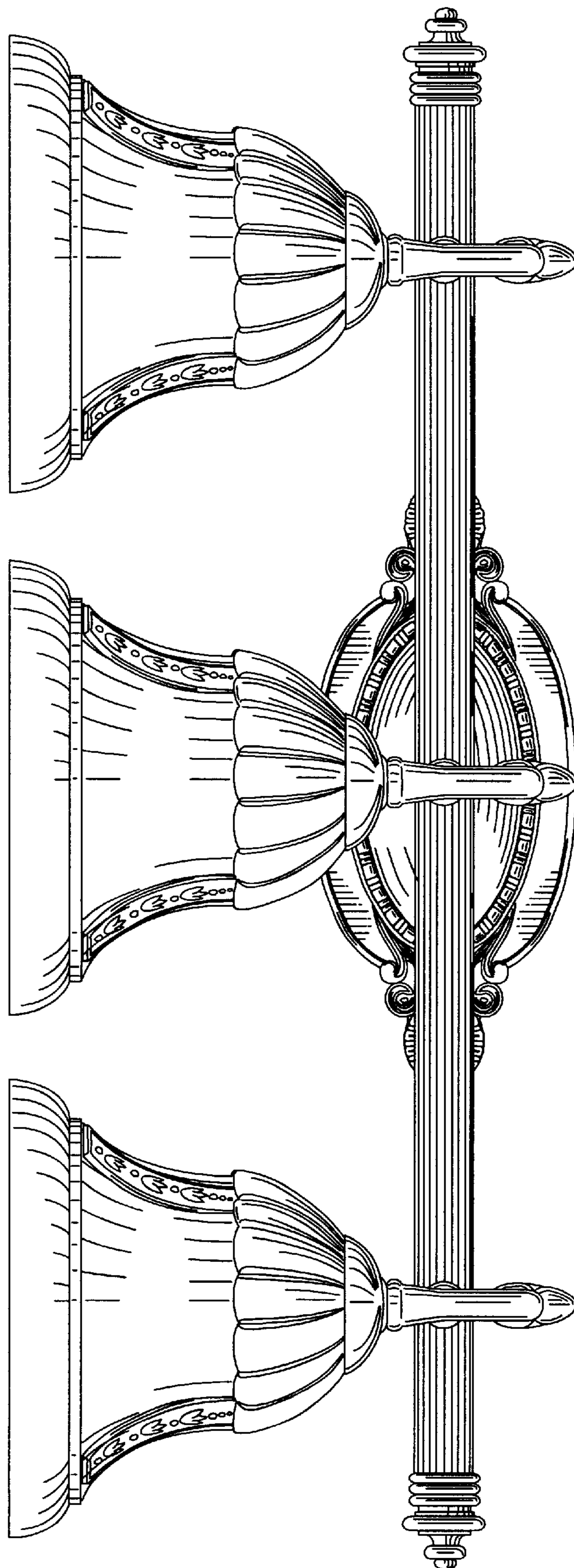


FIG. 2.

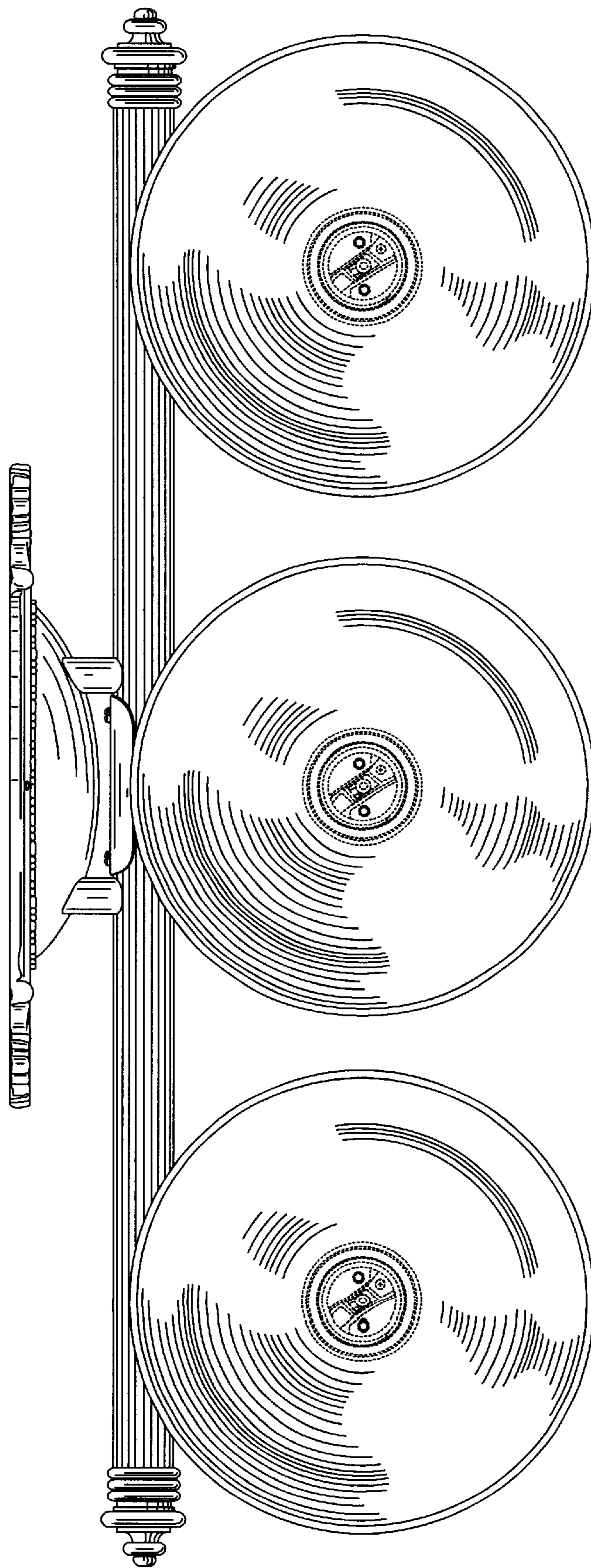


FIG. 3.

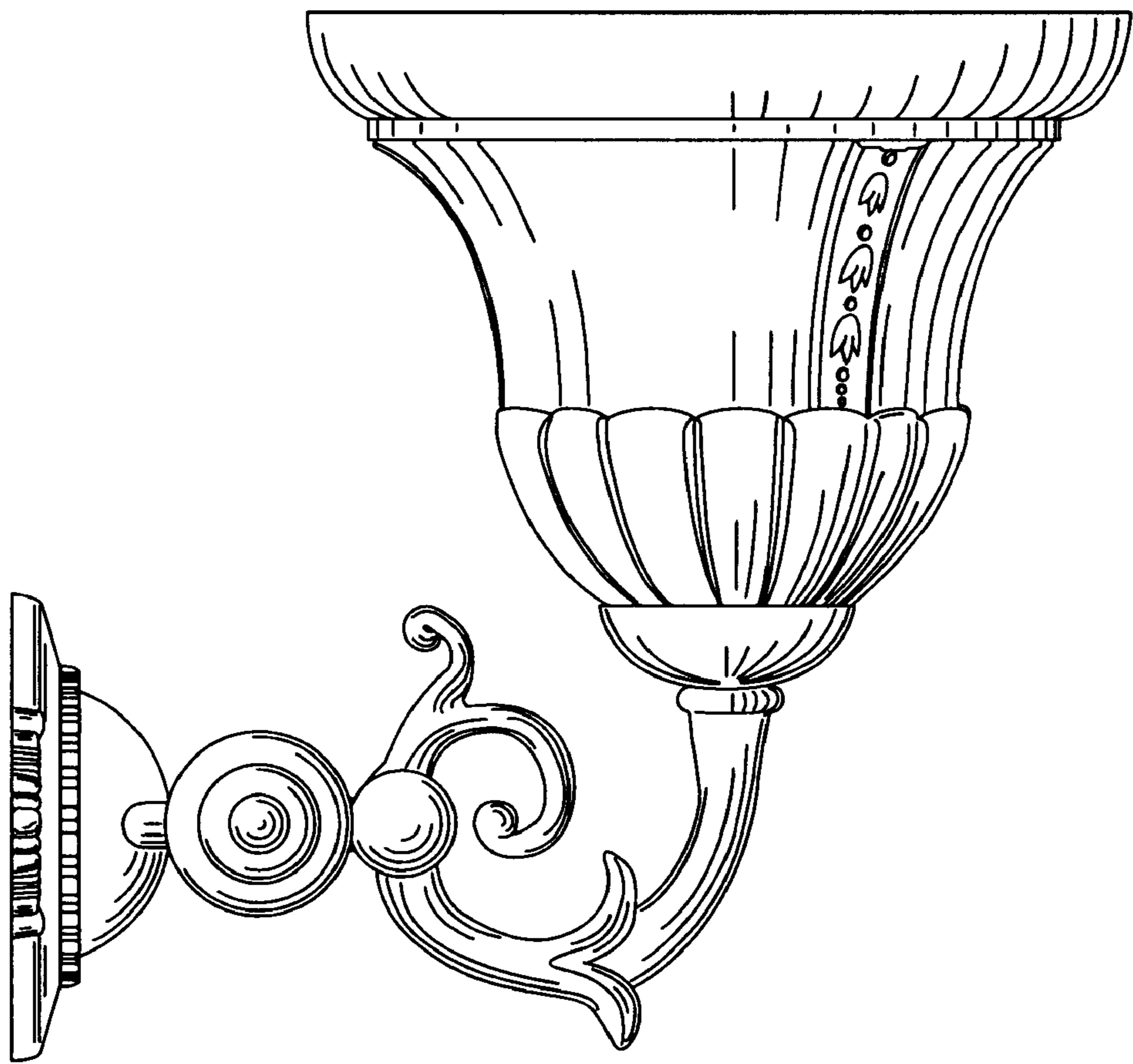


FIG. 4.

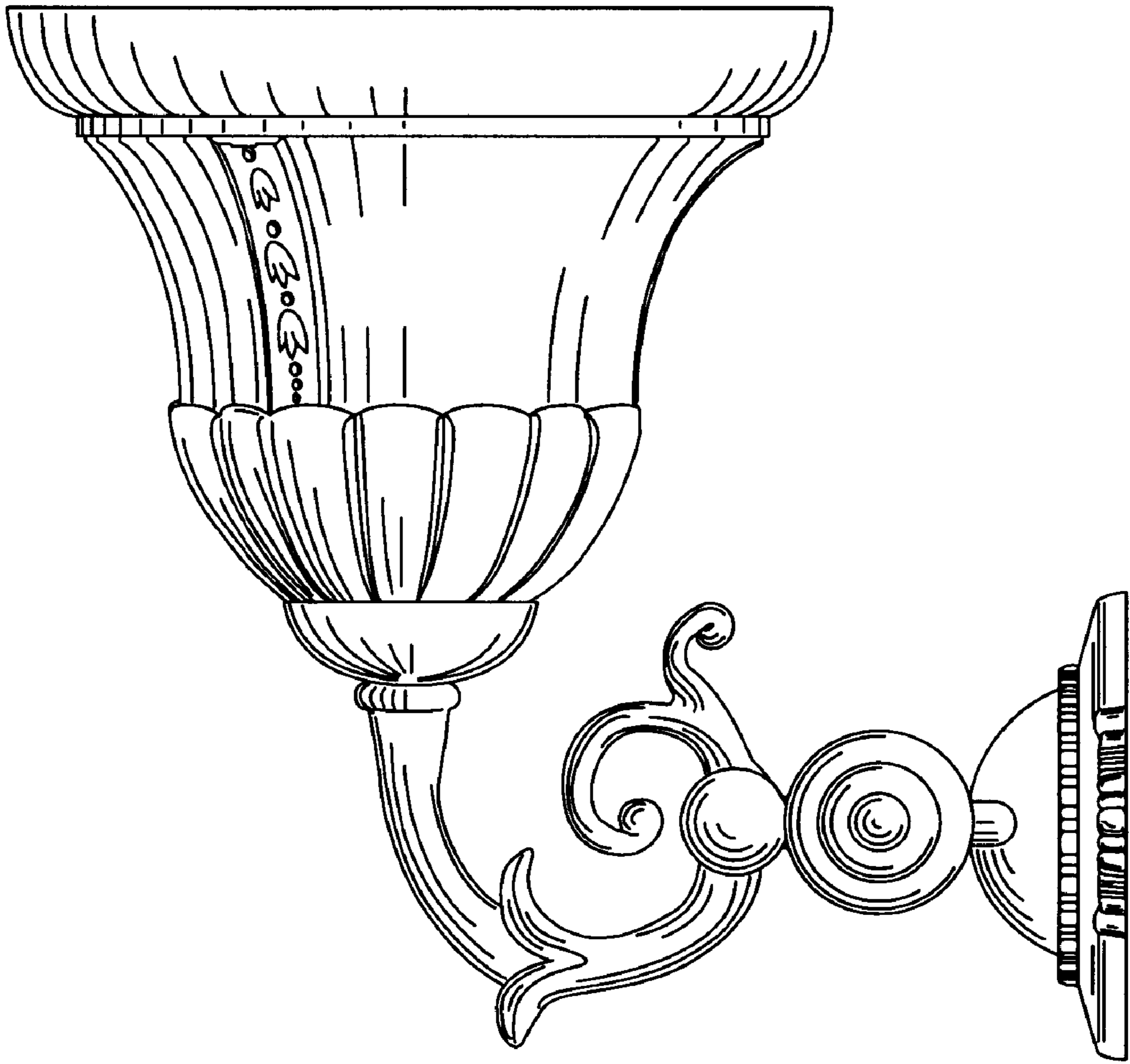


FIG. 5.

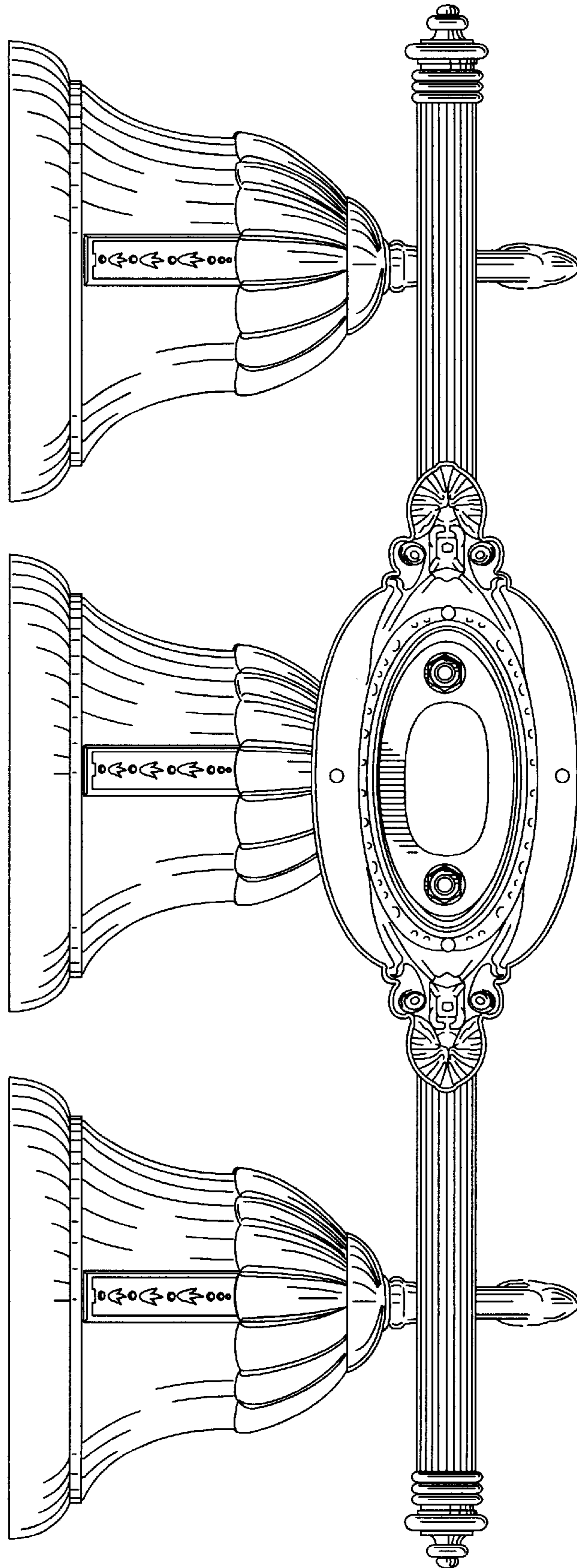


FIG. 6.

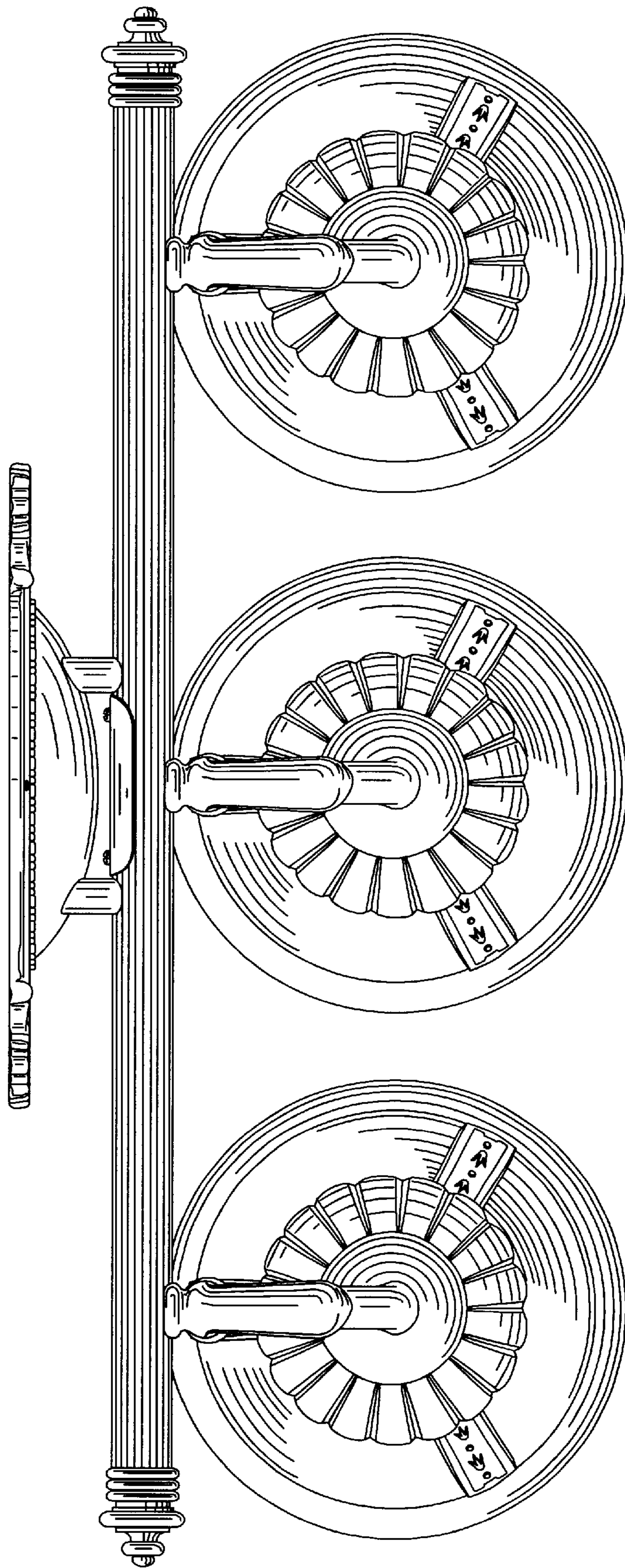


FIG. 7.