



US00D446591B1

(12) **United States Design Patent**
Shing

(10) **Patent No.:** **US D446,591 S**

(45) **Date of Patent:** **** Aug. 14, 2001**

(54) **SPOTLIGHT**

(75) Inventor: **Shiu Shing**, Kowloon (HK)

(73) Assignee: **Favour Light Enterprises Ltd.**,
Kowloon (HK)

(**) Term: **14 Years**

(21) Appl. No.: **29/131,358**

(22) Filed: **Oct. 20, 2000**

(51) **LOC (7) Cl.** **26-02**

(52) **U.S. Cl.** **D26/45**

(58) **Field of Search** D26/37-50; 362/157,
362/158, 171, 173, 183-208

(56) **References Cited**

U.S. PATENT DOCUMENTS

D. 432,692 * 10/2000 Krieger D26/45

D. 434,513 * 11/2000 Poon D26/45

* cited by examiner

Primary Examiner—Marcus A. Jackson

(74) *Attorney, Agent, or Firm*—Larson & Taylor PLC

(57) **CLAIM**

The ornamental design of a spotlight, as shown and described.

DESCRIPTION

FIG. 1 is a top view of the design.

FIG. 2 is a front view of the design depicted in FIG. 1.

FIG. 3 is a left side view of the design depicted in FIG. 1.

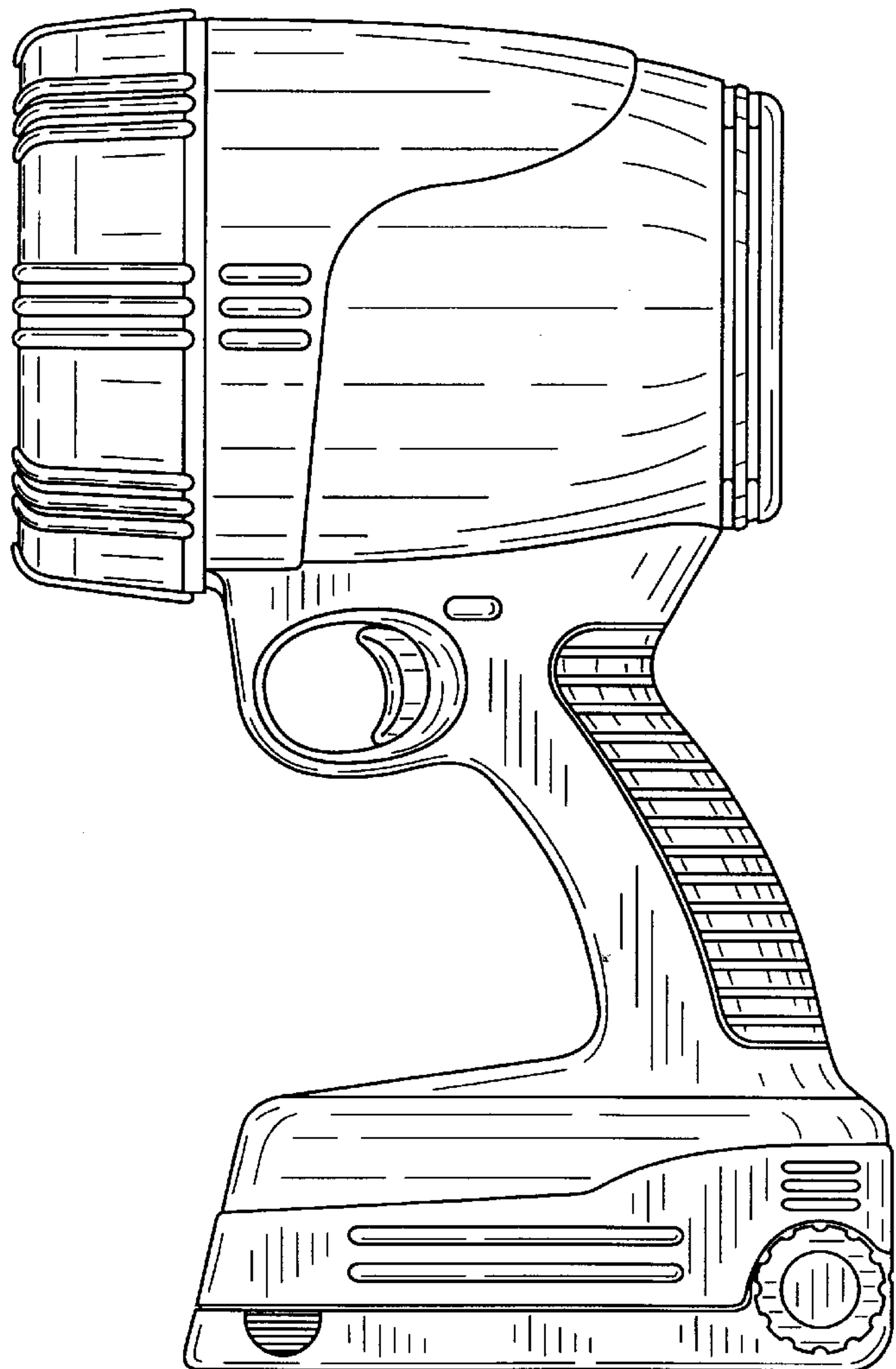
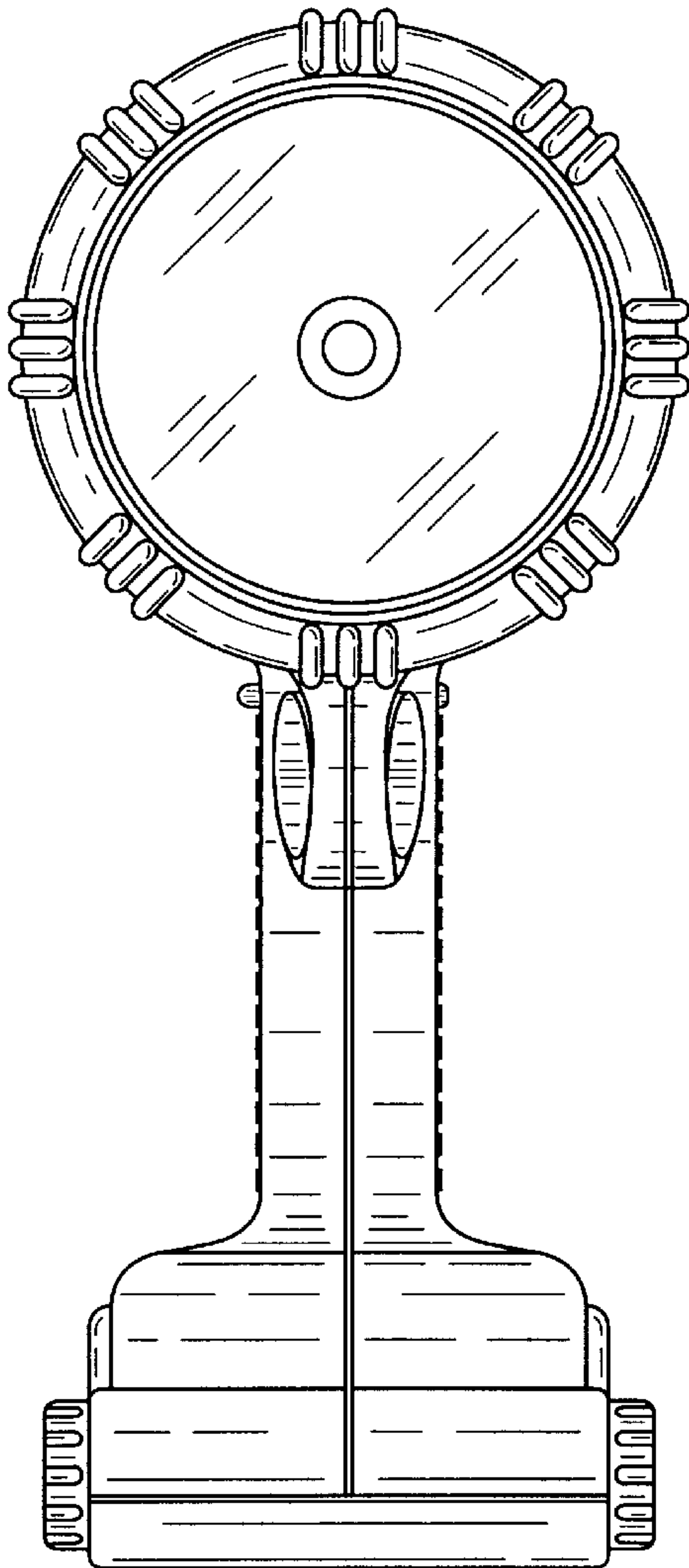
FIG. 4 is rear view of the design depicted in FIG. 1.

FIG. 5 is a right side view of the design depicted in FIG. 1.

FIG. 6 is a bottom view of the design depicted in FIG. 1;
and,

FIG. 7 is partial left side view of the design depicted in FIG. 1 showing that the bottom in a second position.

1 Claim, 5 Drawing Sheets



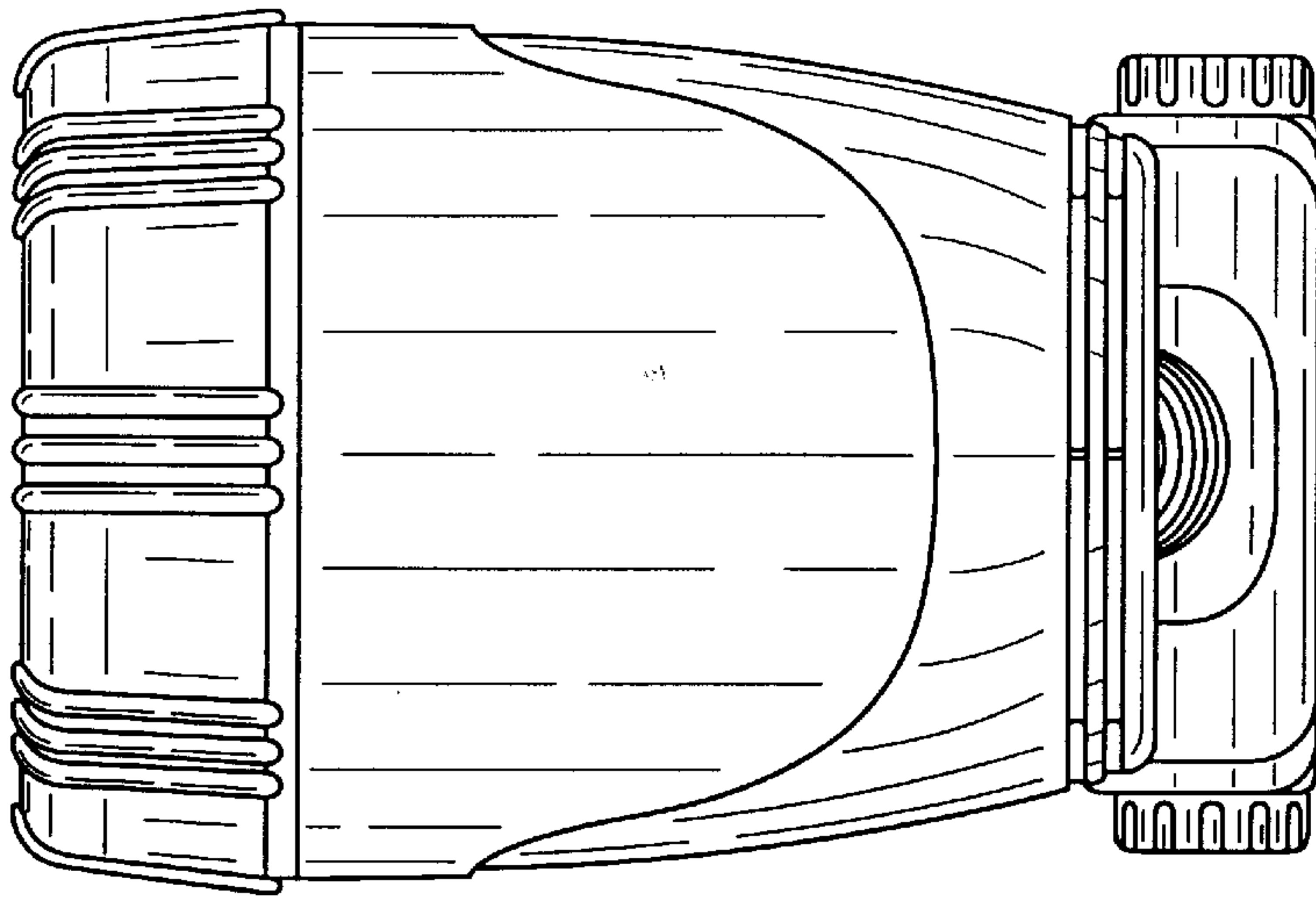


FIG. 1

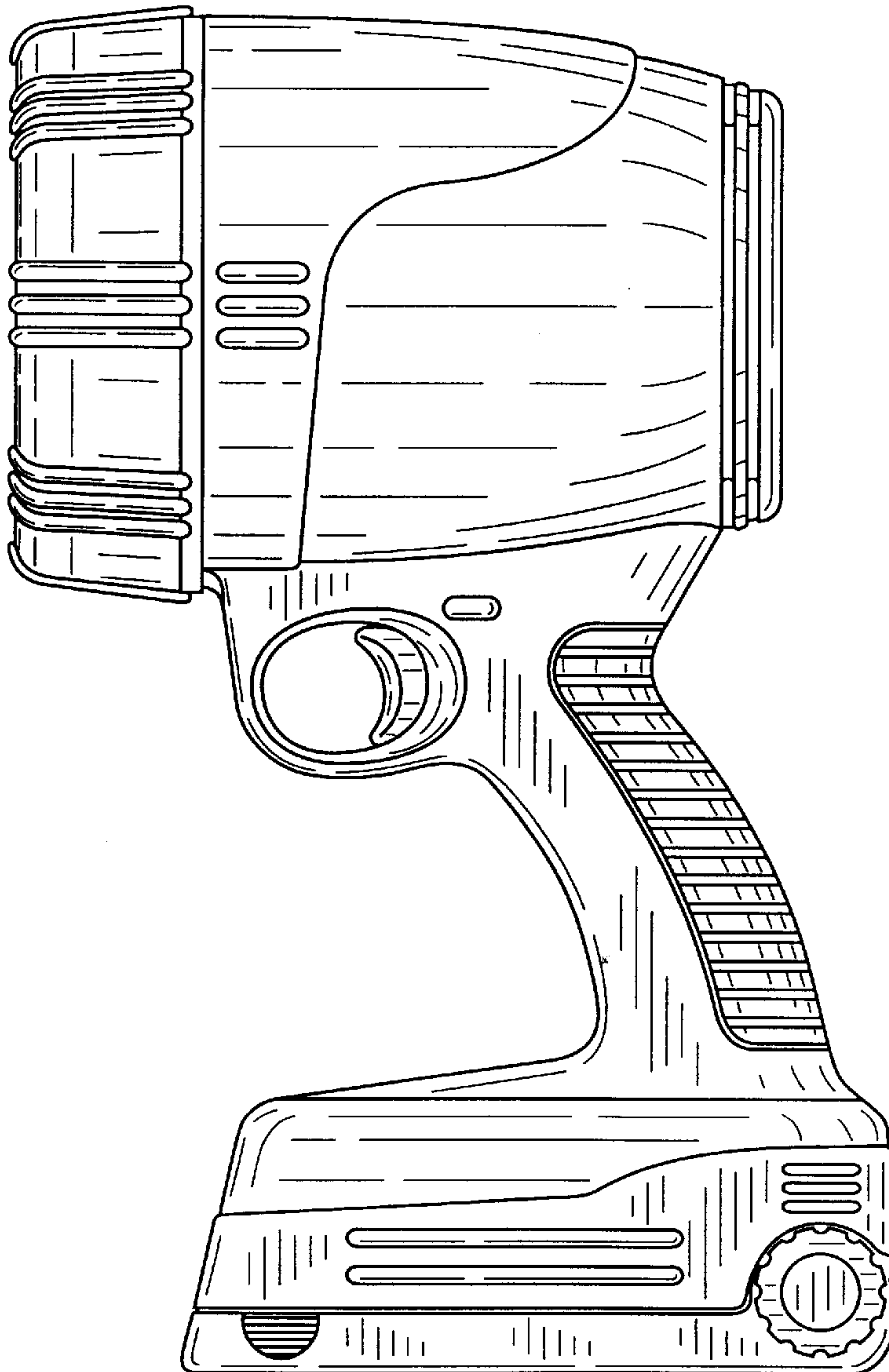


FIG. 3

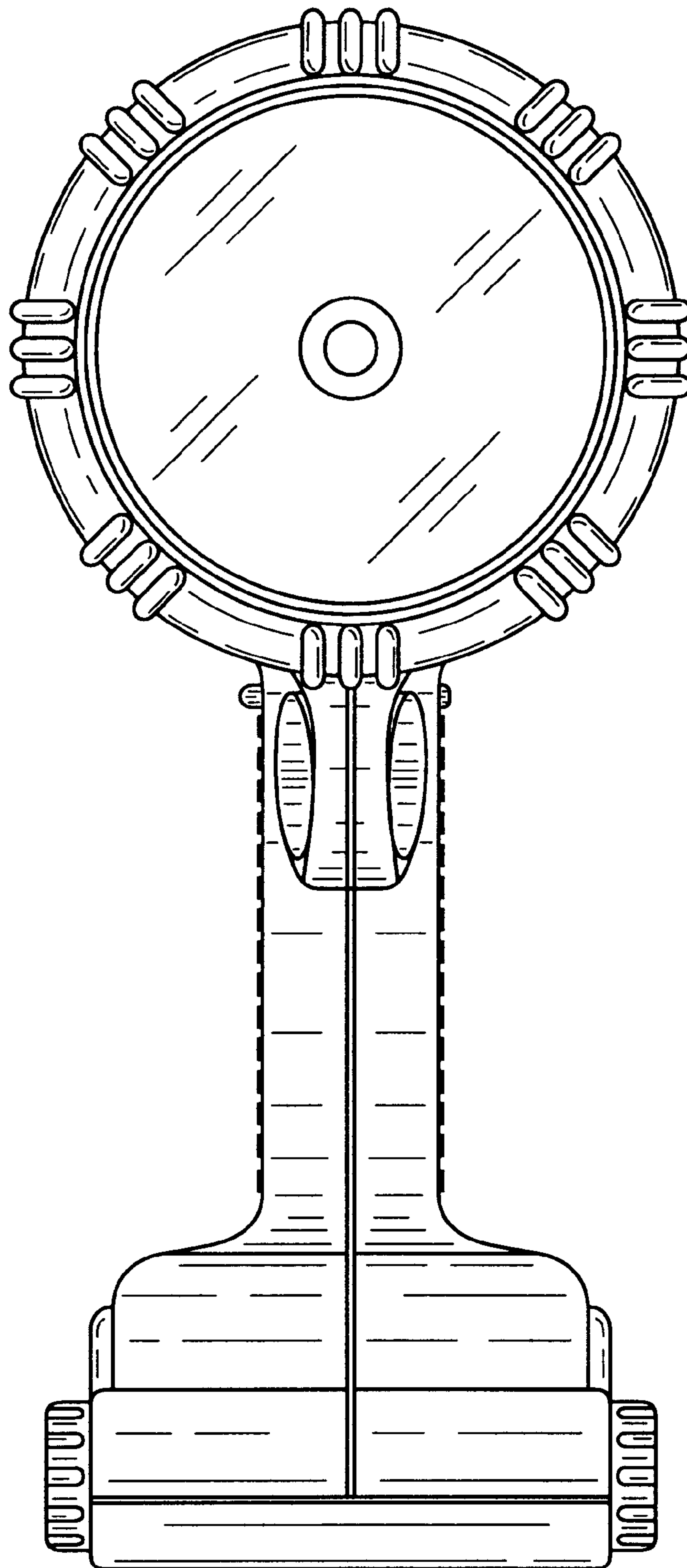


FIG. 2

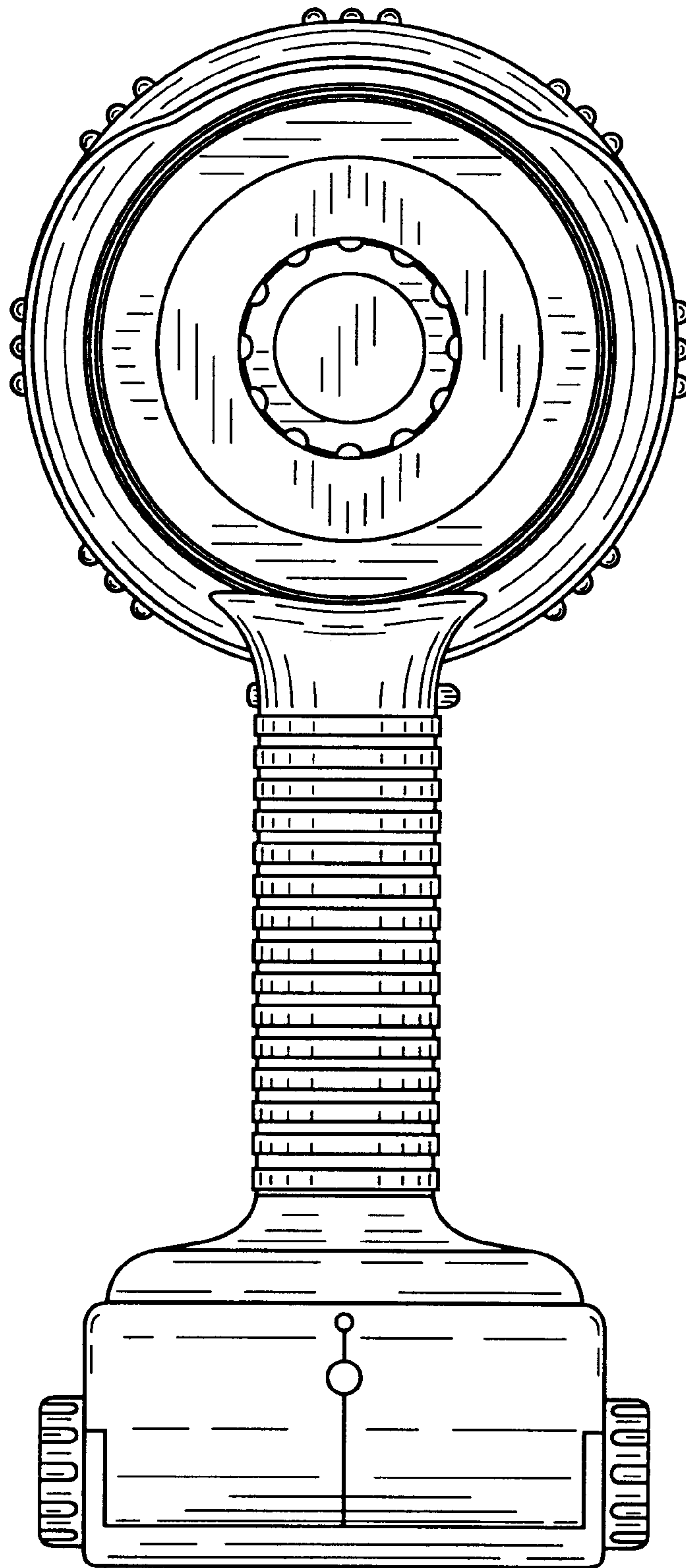


FIG. 4

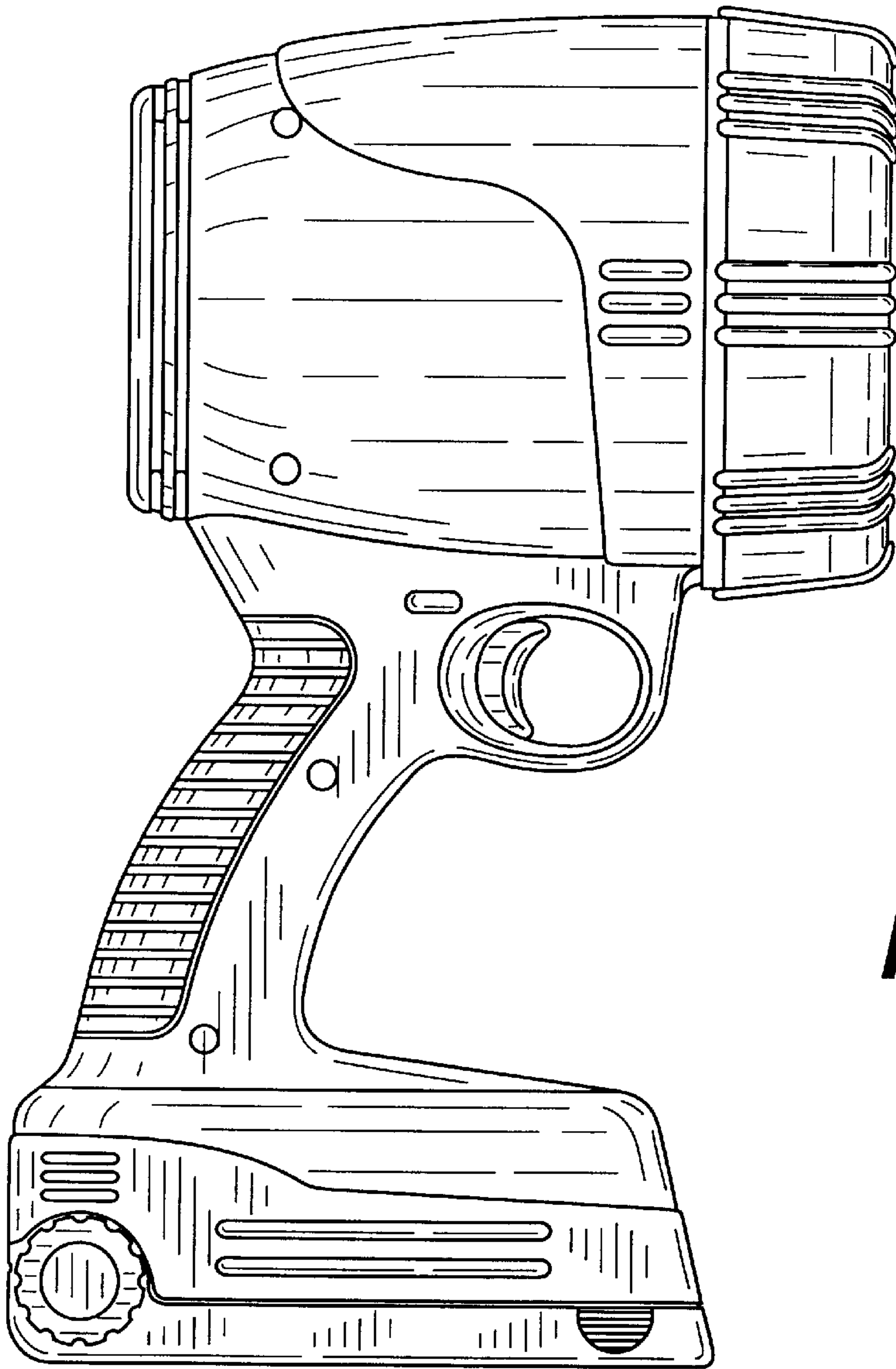


FIG. 5

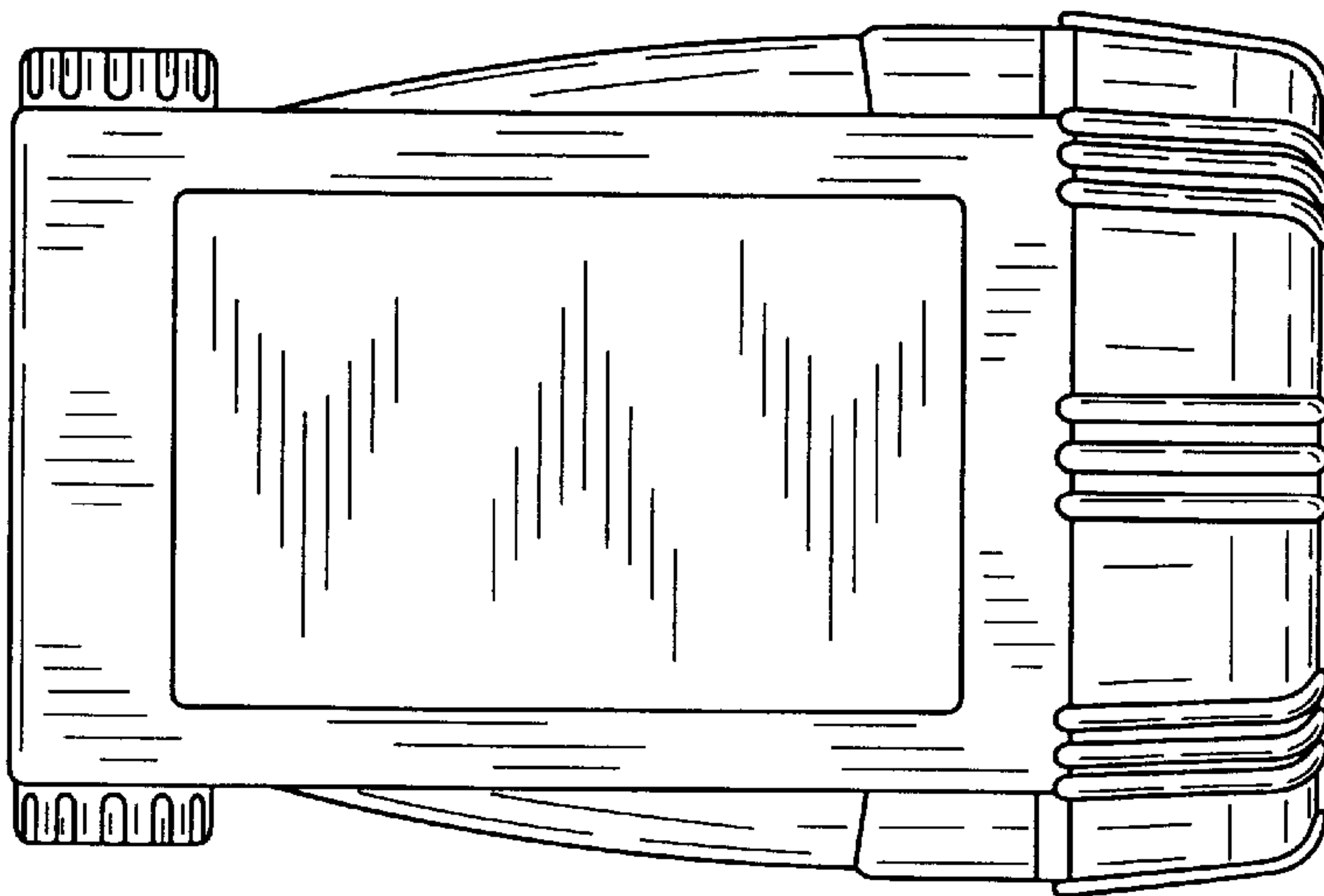


FIG. 6

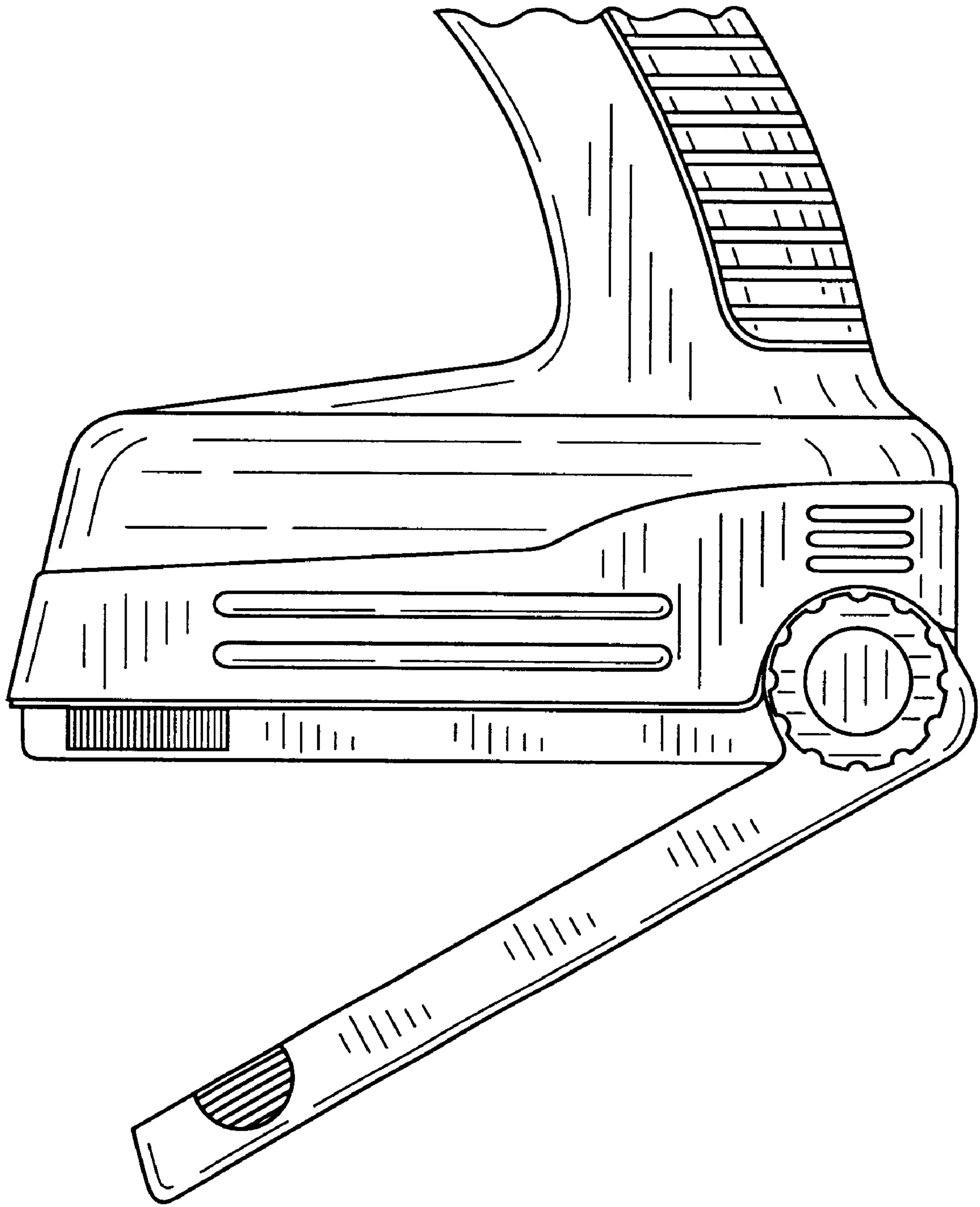


FIG. 7