



US00D446590B1

(12) **United States Design Patent**
Oh

(10) **Patent No.:** **US D446,590 S**

(45) **Date of Patent:** **** Aug. 14, 2001**

(54) **FOG LAMP FOR AUTOMOBILE**

D. 357,756 * 4/1995 Tsai D26/28
D. 424,724 * 5/2000 Hussaini et al. D26/28

(75) Inventor: **Young Sub Oh**, Ulsan (KR)

* cited by examiner

(73) Assignees: **Hyundai Motor Company; Hyundai Mobis**, both of Seoul (KR)

Primary Examiner—Marcus A. Jackson
(74) *Attorney, Agent, or Firm*—McGuire Woods, LLP

(**) Term: **14 Years**

(57) **CLAIM**

(21) Appl. No.: **29/132,519**

I claim the ornamental design for fog lamp for automobile, as shown and described.

(22) Filed: **Nov. 13, 2000**

(30) **Foreign Application Priority Data**

DESCRIPTION

May 18, 2000 (KR) 00-12889

The fog lamp for automobile is made from resin, glass and rubber and is mounted on the front bumper of an automobile. FIG. 1 is a front perspective view of the fog lamp; FIG. 2 is a front elevation view of the fog lamp; FIG. 3 is a back elevation view of the fog lamp; FIG. 4 is a left side plan view of the fog lamp; FIG. 5 is a right side plan view of the fog lamp; FIG. 6 is a top plan view of the fog lamp; and, FIG. 7 is a bottom plan view of the fog lamp.

(51) **LOC (7) Cl.** **26-06**

(52) **U.S. Cl.** **D26/28**

(58) **Field of Search** D26/28-36; 362/61, 362/74, 80, 81, 82, 83

(56) **References Cited**

U.S. PATENT DOCUMENTS

D. 354,362 * 1/1995 Tsai D26/28

1 Claim, 4 Drawing Sheets





FIG. 1



FIG. 2

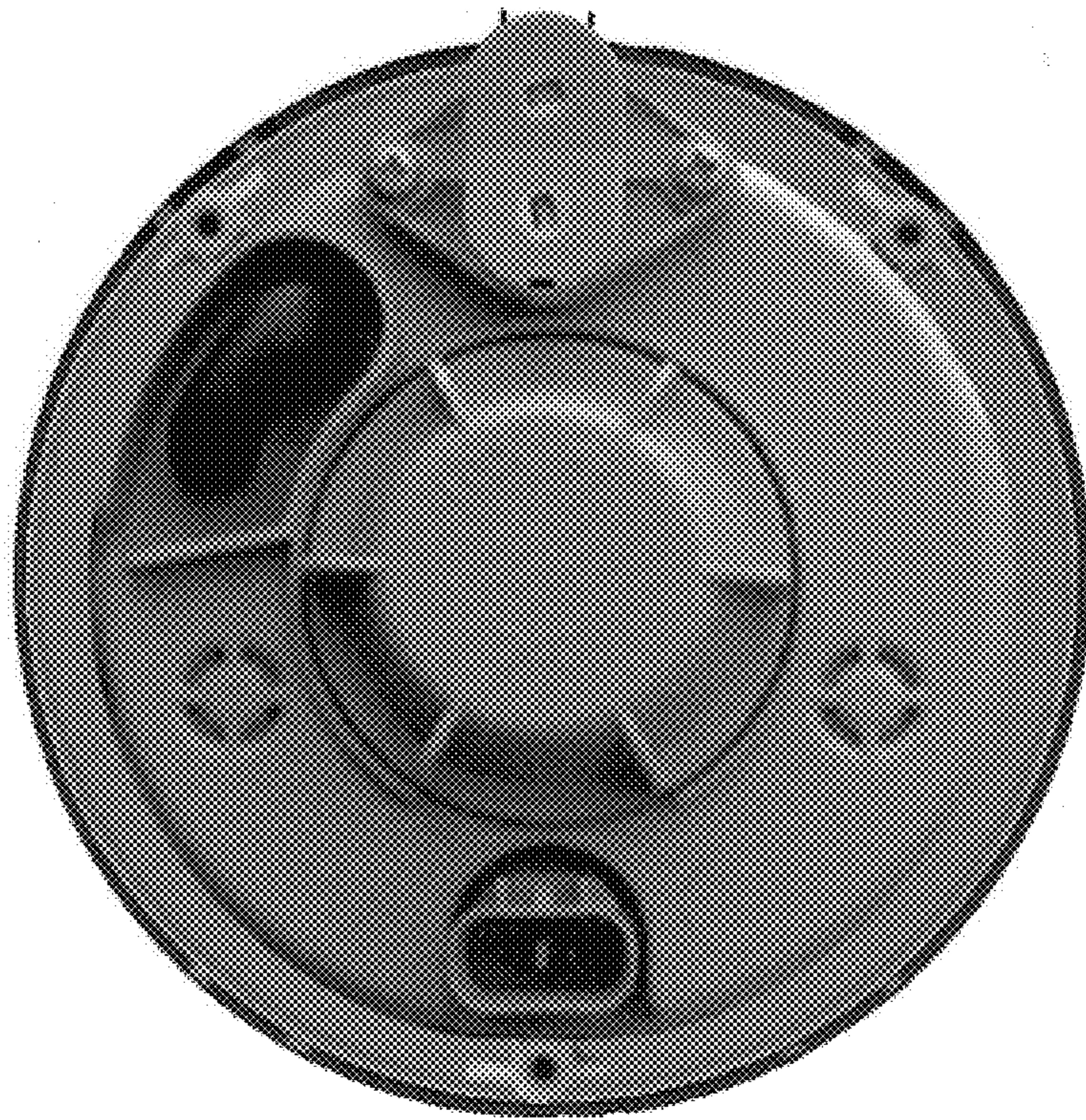


FIG.3

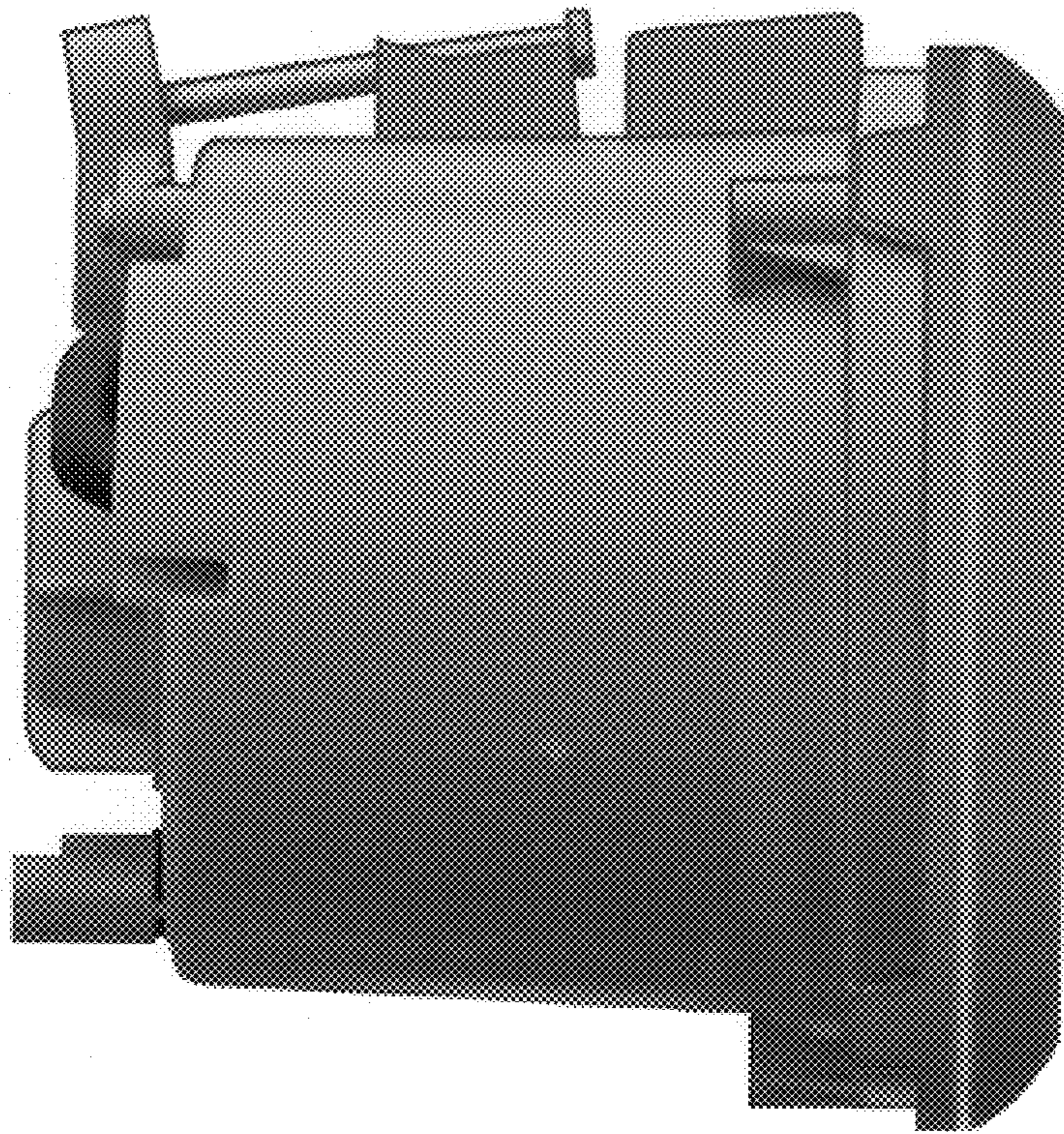


FIG.4

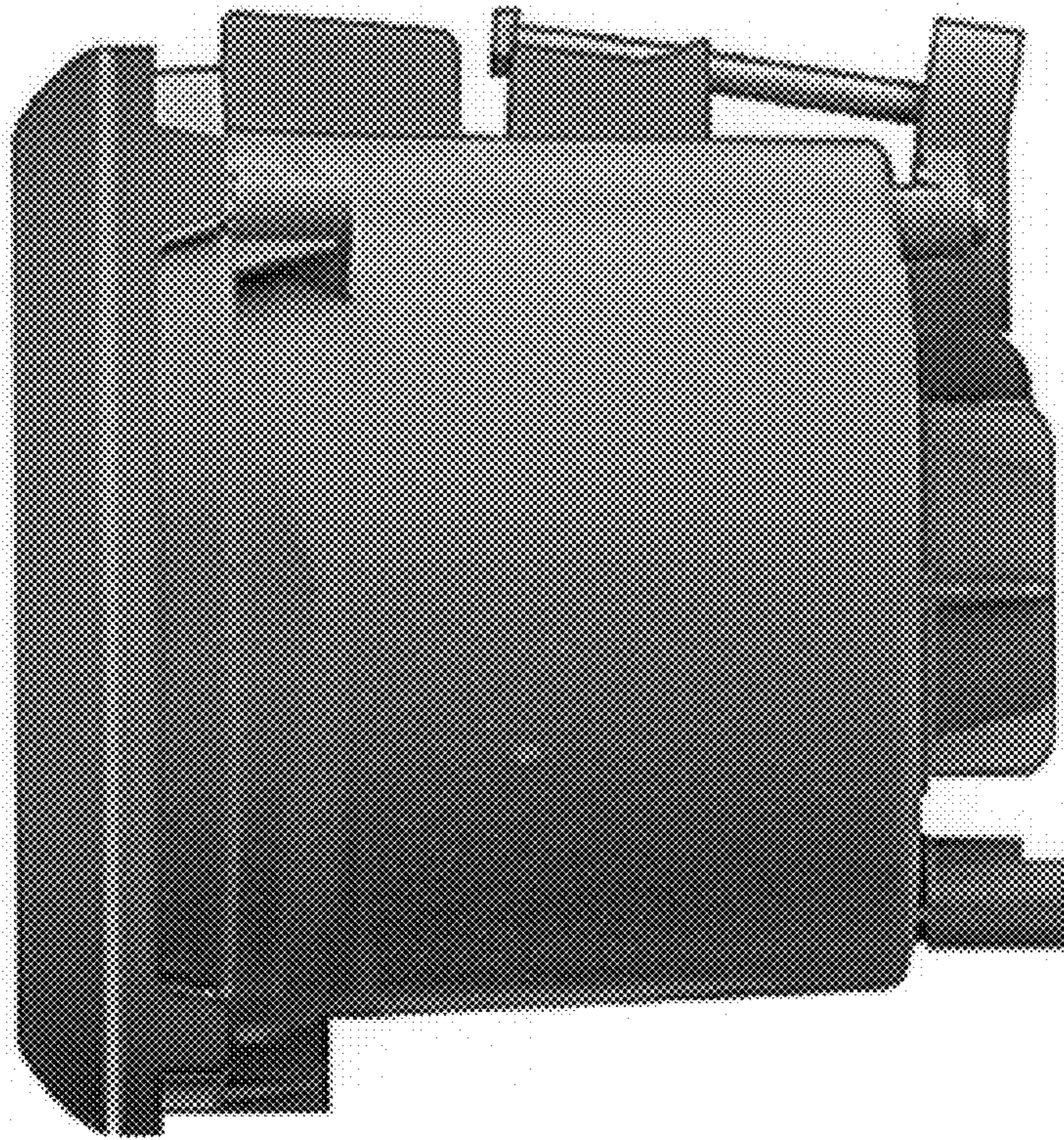


FIG.5

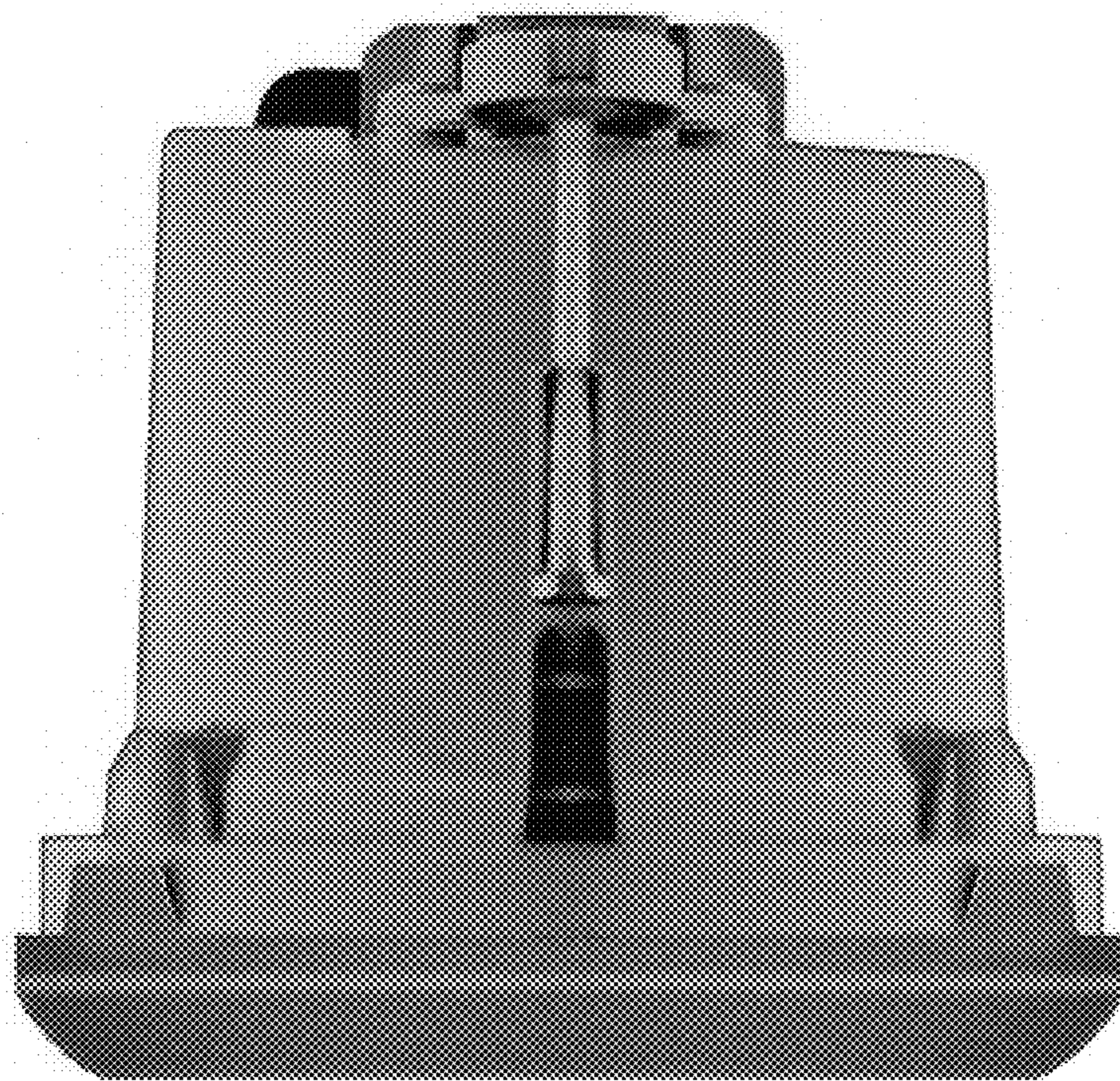


FIG.6



FIG.7