



US00D446589B1

(12) **United States Design Patent**
Rochel

(10) **Patent No.:** **US D446,589 S**

(45) **Date of Patent:** **** Aug. 14, 2001**

(54) **STROBE LIGHTS FOR AN AUTOMOBILE ACOUSTIC AMPLIFIER**

(75) Inventor: **Jack Rochel**, Commerce, CA (US)

(73) Assignee: **Epsilon Electronics, Inc.**, Commerce, CA (US)

(**) Term: **14 Years**

(21) Appl. No.: **29/128,740**

(22) Filed: **Aug. 30, 2000**

(51) **LOC (7) Cl.** **26-06**

(52) **U.S. Cl.** **D26/28**

(58) **Field of Search** D26/28-36; 362/61,
362/62, 64, 80, 81, 82, 83, 84, 83.2, 362,
432

(56) **References Cited**

U.S. PATENT DOCUMENTS

- D. 264,253 * 5/1982 Goldschmidt et al. D26/28
- D. 354,147 * 1/1995 Ueda D26/28
- D. 400,991 * 11/1998 La Rosa et al. D26/28

* cited by examiner

Primary Examiner—Marcus A. Jackson

(74) *Attorney, Agent, or Firm*—Jacobson Holman, PLLC

(57) **CLAIM**

The ornamental design for strobe lights for an automobile acoustic amplifier, as shown and described.

DESCRIPTION

FIG. 1 is a plan view showing my new design for a strobe lights for an automobile acoustic amplifier; the portions shown in dotted lines are for illustrative purposes only.

FIG. 2 is a front side view thereof, the rear side view being a mirror image; the portions shown in dotted lines are for illustrative purposes only.

FIG. 3 is an end view thereof, the opposite end being a mirror image; the portions shown in dotted lines are for illustrative purposes only.

FIG. 4 is a plan view of an alternate embodiment of the present invention; the portions shown in dotted lines are for illustrative purposes only.

FIG. 5 is a front side view of the alternate embodiment; the rear side view being a mirror image; the portions shown in dotted lines are for illustrative purposes only; and,

FIG. 6 is an end view thereof, the opposite end being a mirror image; the portions shown in dotted lines are for illustrative purposes only.

1 Claim, 2 Drawing Sheets

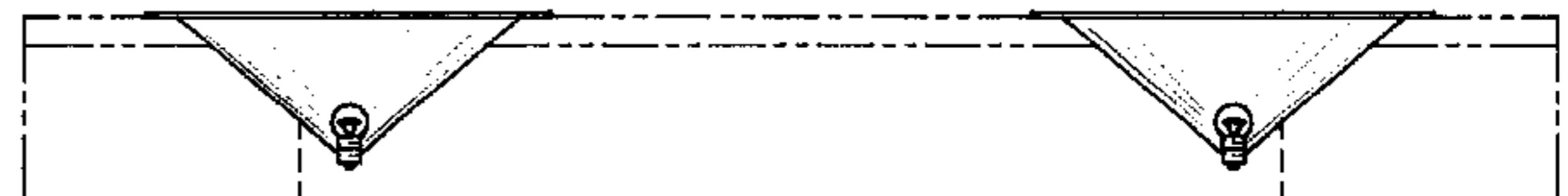
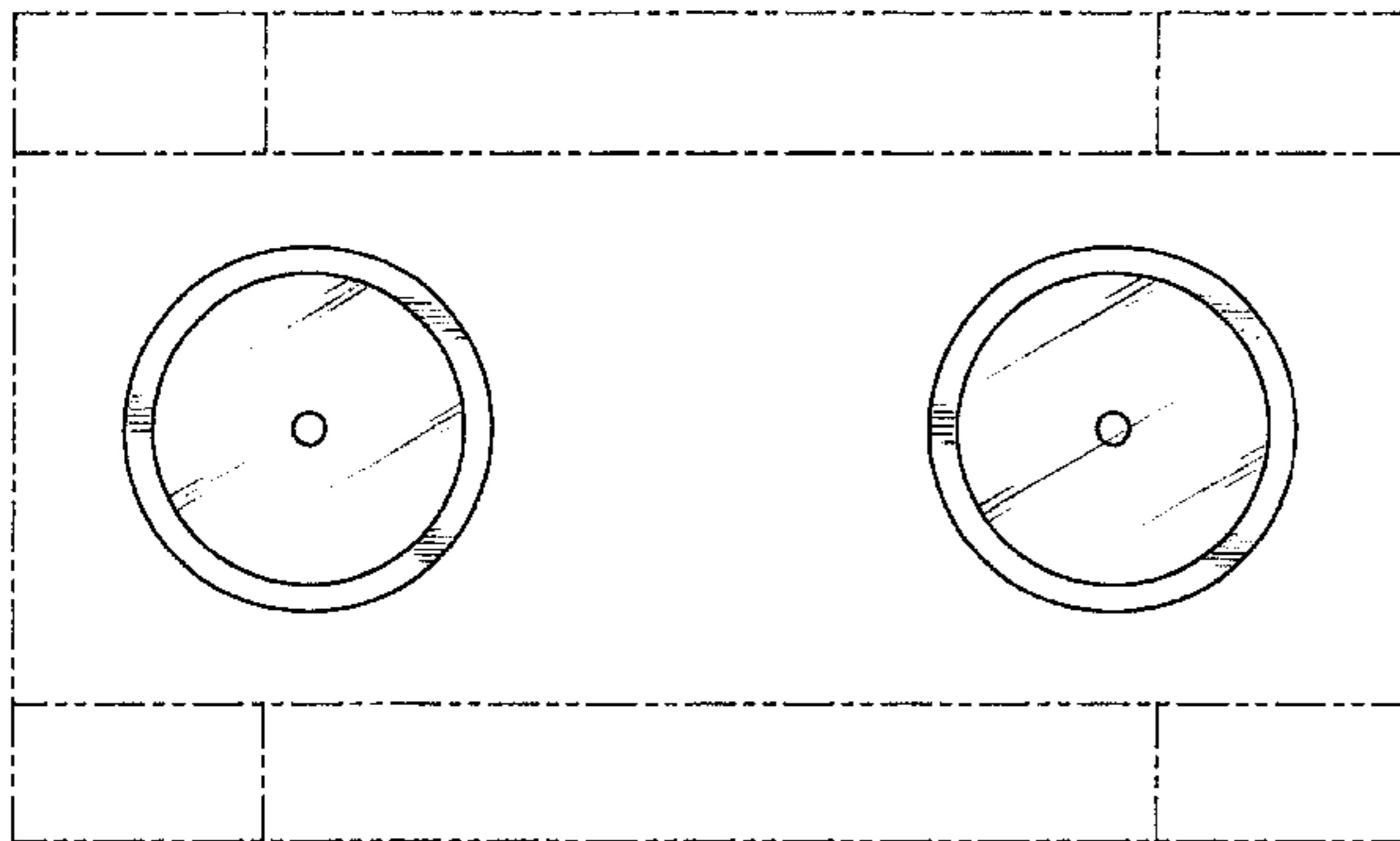


FIG. 1

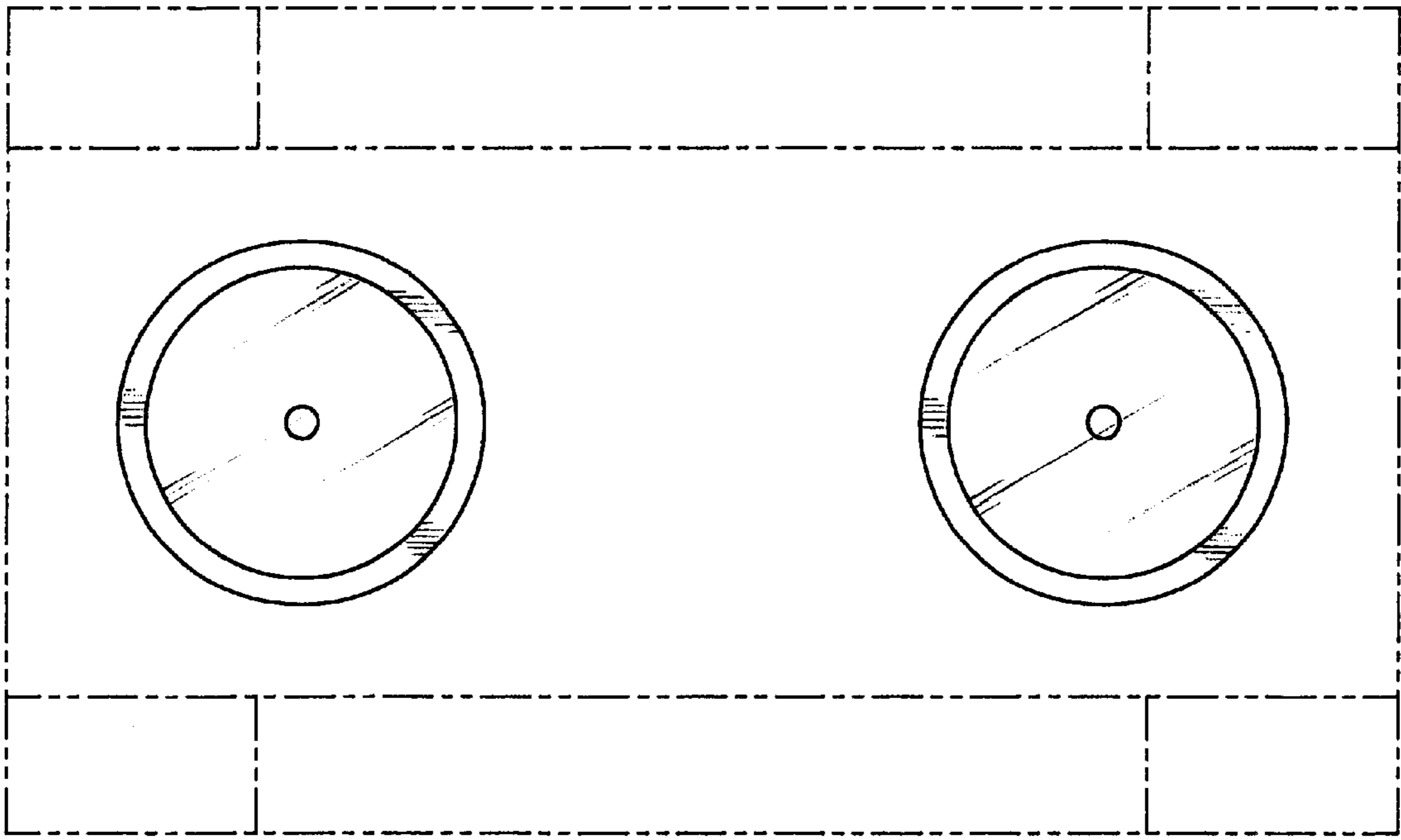


FIG. 2

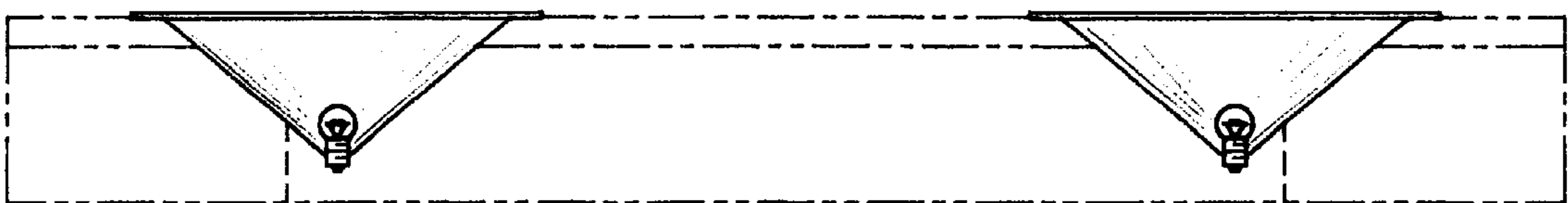


FIG. 3

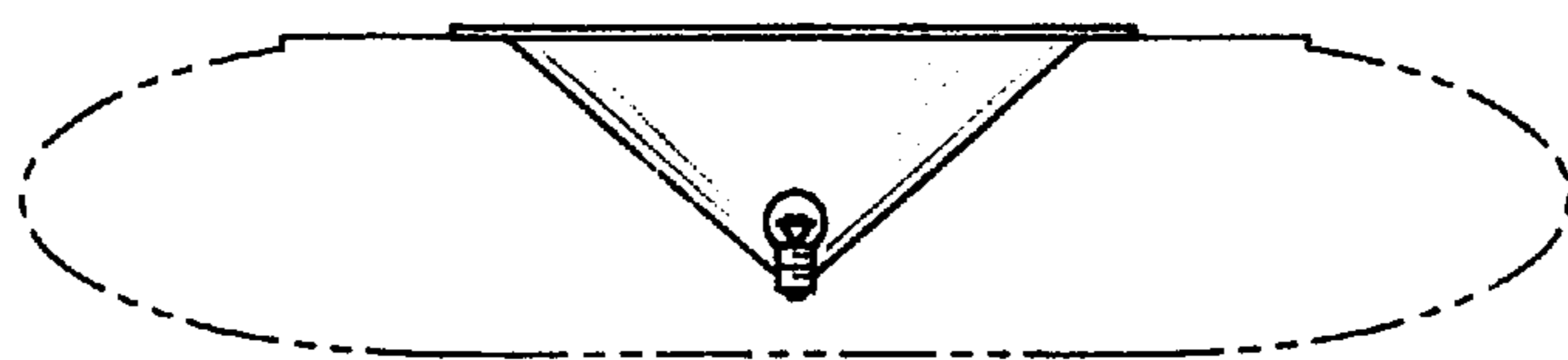


FIG. 4

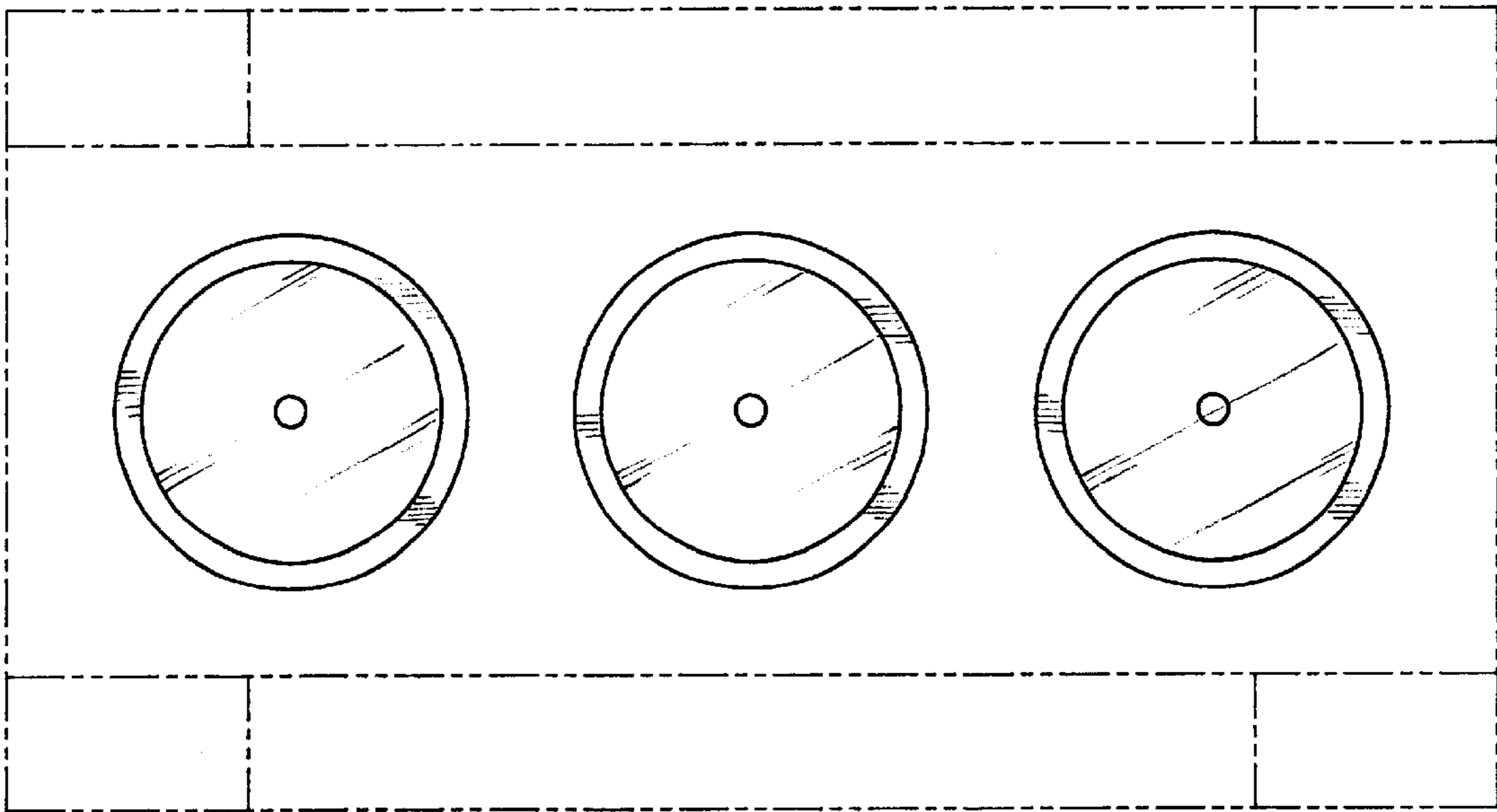


FIG. 5

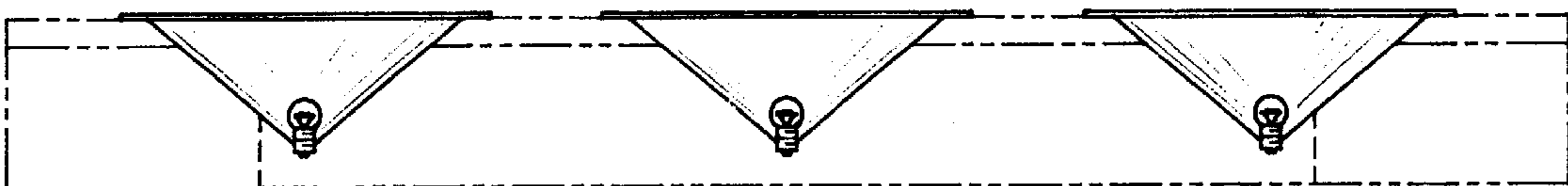


FIG. 6

