



US00D446580B1

(12) **United States Design Patent**
Allende

(10) **Patent No.:** **US D446,580 S**

(45) **Date of Patent:** **** Aug. 14, 2001**

(54) **ANORECTAL APPARATUS**

(76) **Inventor:** **Hector D. Allende**, 209 Tower, San Antonio, TX (US) 78232

(**) **Term:** **14 Years**

(21) **Appl. No.:** **29/113,250**

(22) **Filed:** **Nov. 2, 1999**

(51) **LOC (7) Cl.** **24-02**

(52) **U.S. Cl.** **D24/141; D24/112; D24/135; D24/140**

(58) **Field of Search** **D24/112, 140, D24/133, 141, 135; 600/29, 194; 128/DIG. 25, 987, 985, 184; 623/23.64**

(56) **References Cited**

U.S. PATENT DOCUMENTS

724,913	4/1903	Montgomery .	
1,080,934	12/1913	Shackleford .	
1,711,294	4/1929	Weitzner .	
2,754,822	7/1956	Emelock	128/264
3,575,160	4/1971	Vass	128/2 R
3,906,948	9/1975	Vass	128/245
4,137,918	2/1979	Bogert	128/283
4,634,421	1/1987	Hegemann	604/34
4,679,546 *	7/1987	Doorn et al.	128/DIG. 25
4,781,176	11/1988	Ravo	600/30
4,943,285	7/1990	Hawks	604/275
4,969,902	11/1990	Ravo	623/12

4,986,822	1/1991	Anderson	604/276
5,404,870 *	4/1995	Brinkerhoff et al.	600/184
5,578,017	11/1996	Aguilar et al.	604/275
5,782,745	7/1998	Benderev	600/30
6,102,848 *	8/2000	Porter	600/29
6,183,520 *	2/2001	Pintauro et al.	623/23.64

* cited by examiner

Primary Examiner—Ian Simmons

(74) *Attorney, Agent, or Firm*—Christopher L. Makay

(57) **CLAIM**

The ornamental design of an anorectal apparatus, as shown and described.

DESCRIPTION

FIG. 1 illustrates a top view of the anorectal apparatus featuring a first embodiment of anchoring elements.

FIG. 2 is a back side view illustrating the anorectal apparatus of FIG. 1.

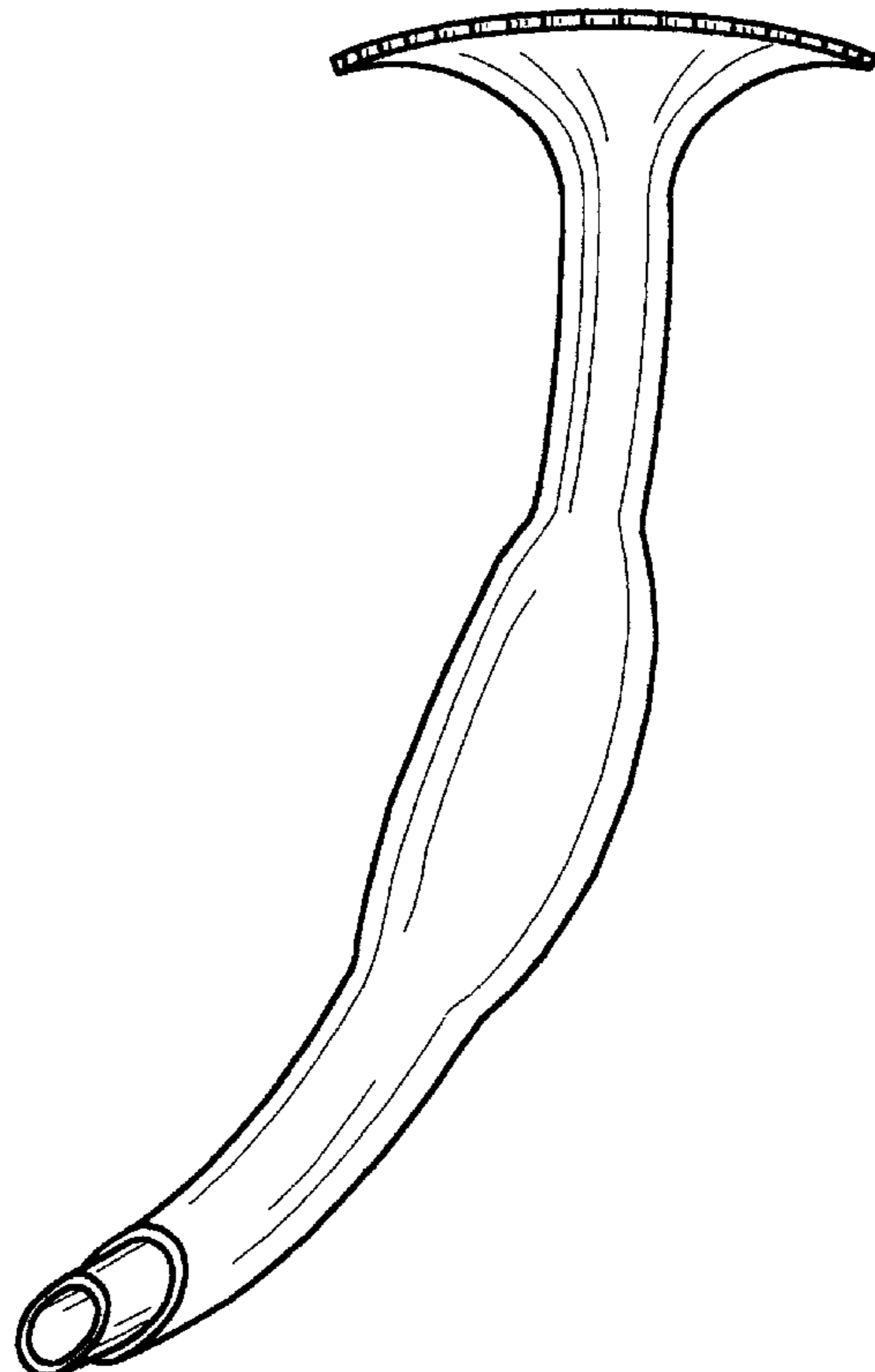
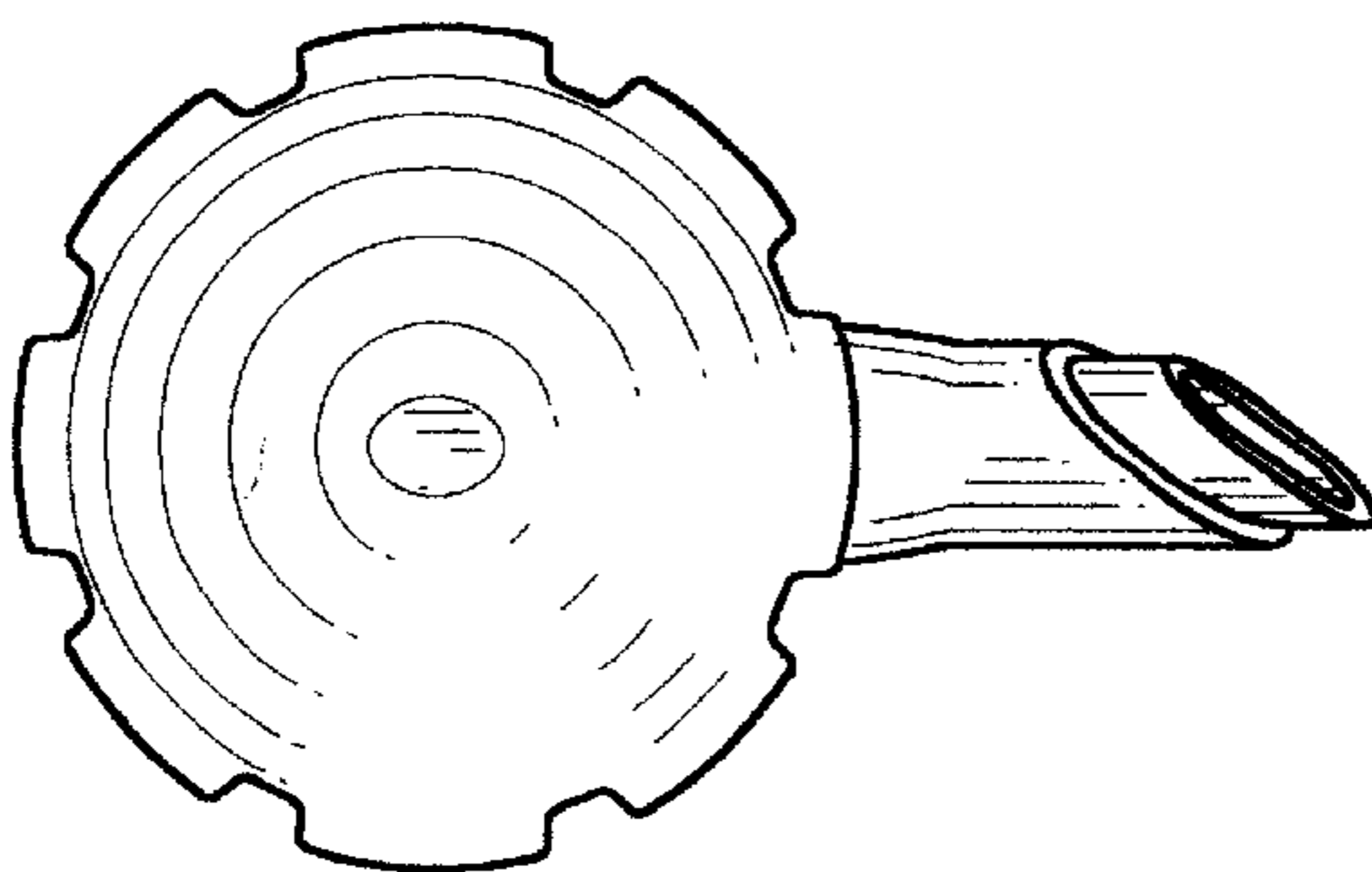
FIG. 3 is a left side view illustrating the anorectal apparatus of FIG. 1.

FIG. 4 is a front side view illustrating the anorectal apparatus of FIG. 1.

FIG. 5 is a right side view illustrating the anorectal apparatus of FIG. 1; and,

FIG. 6 illustrates a bottom view of the anorectal apparatus of FIG. 1.

1 Claim, 2 Drawing Sheets



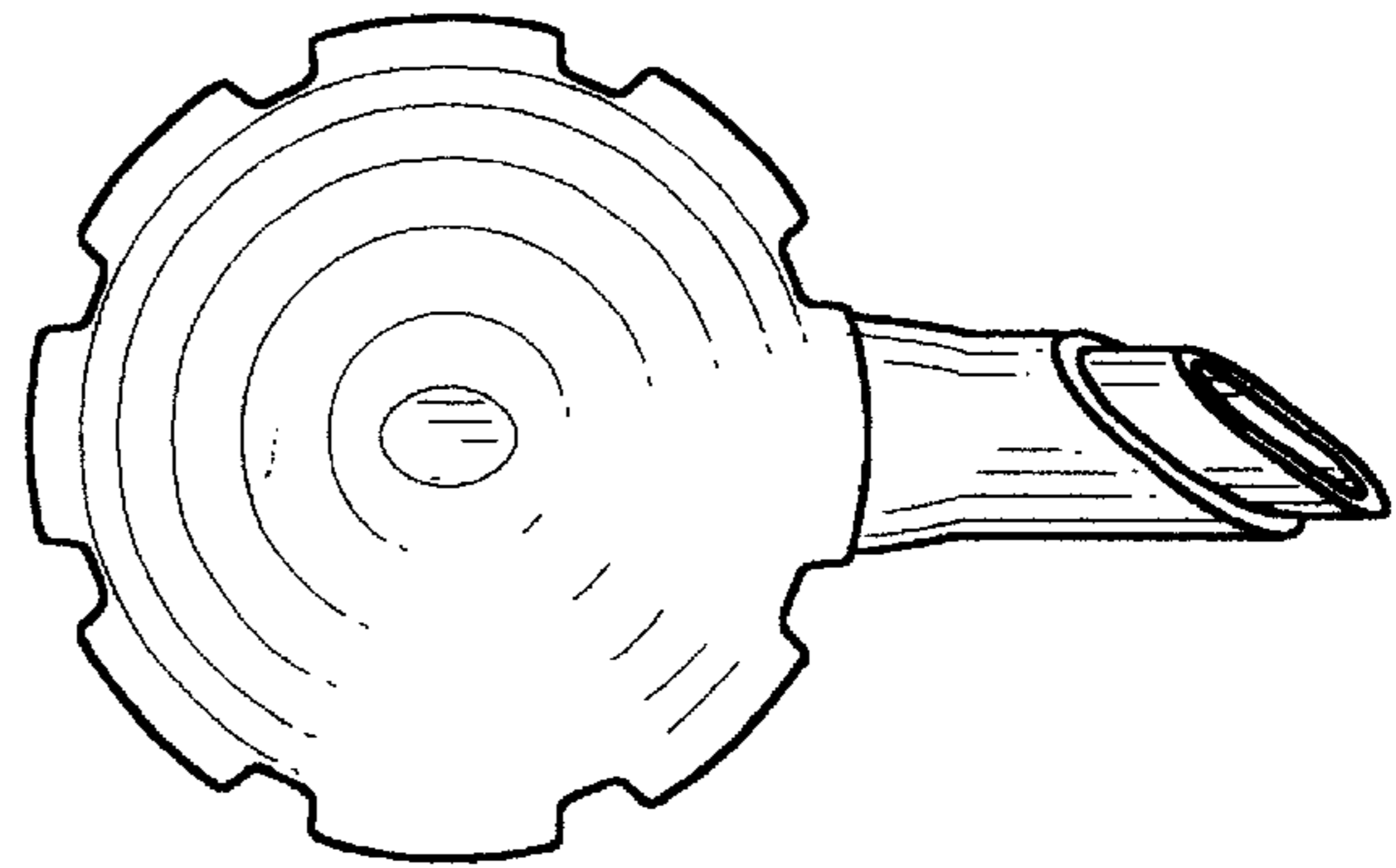


Fig. 1

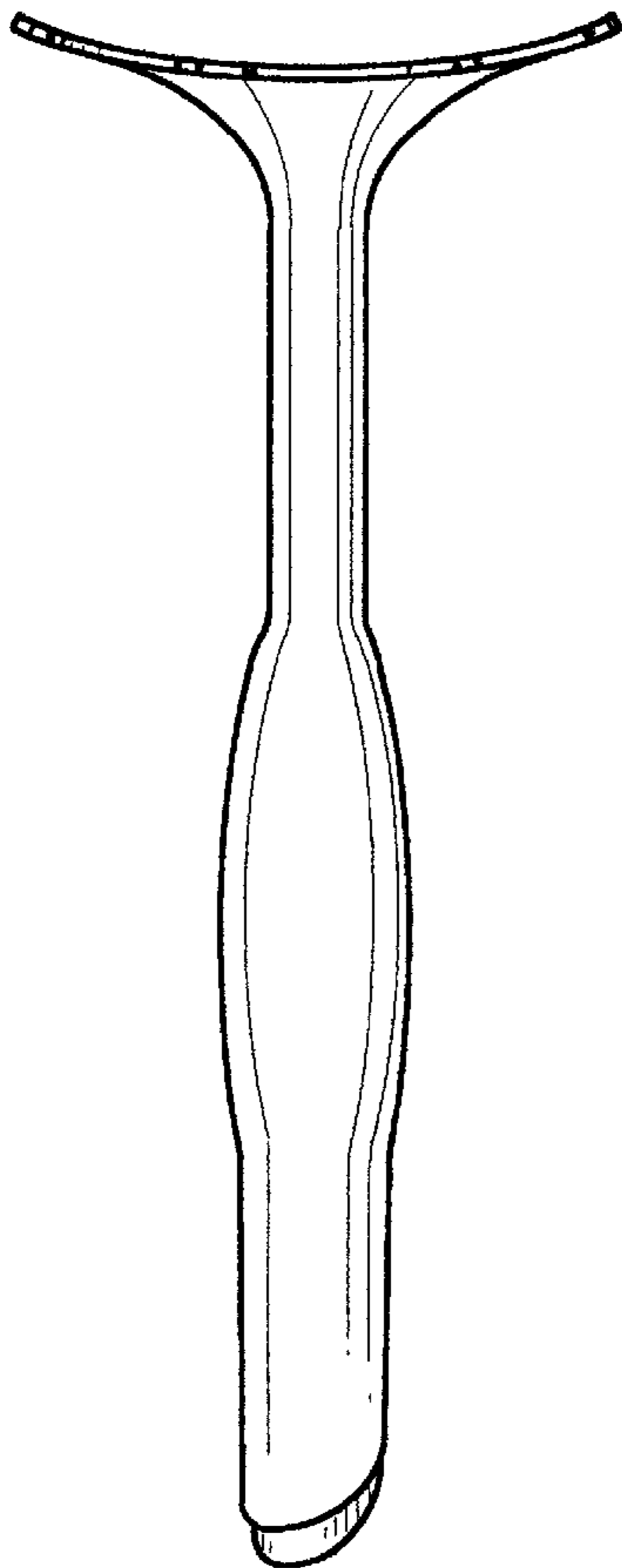


Fig. 2

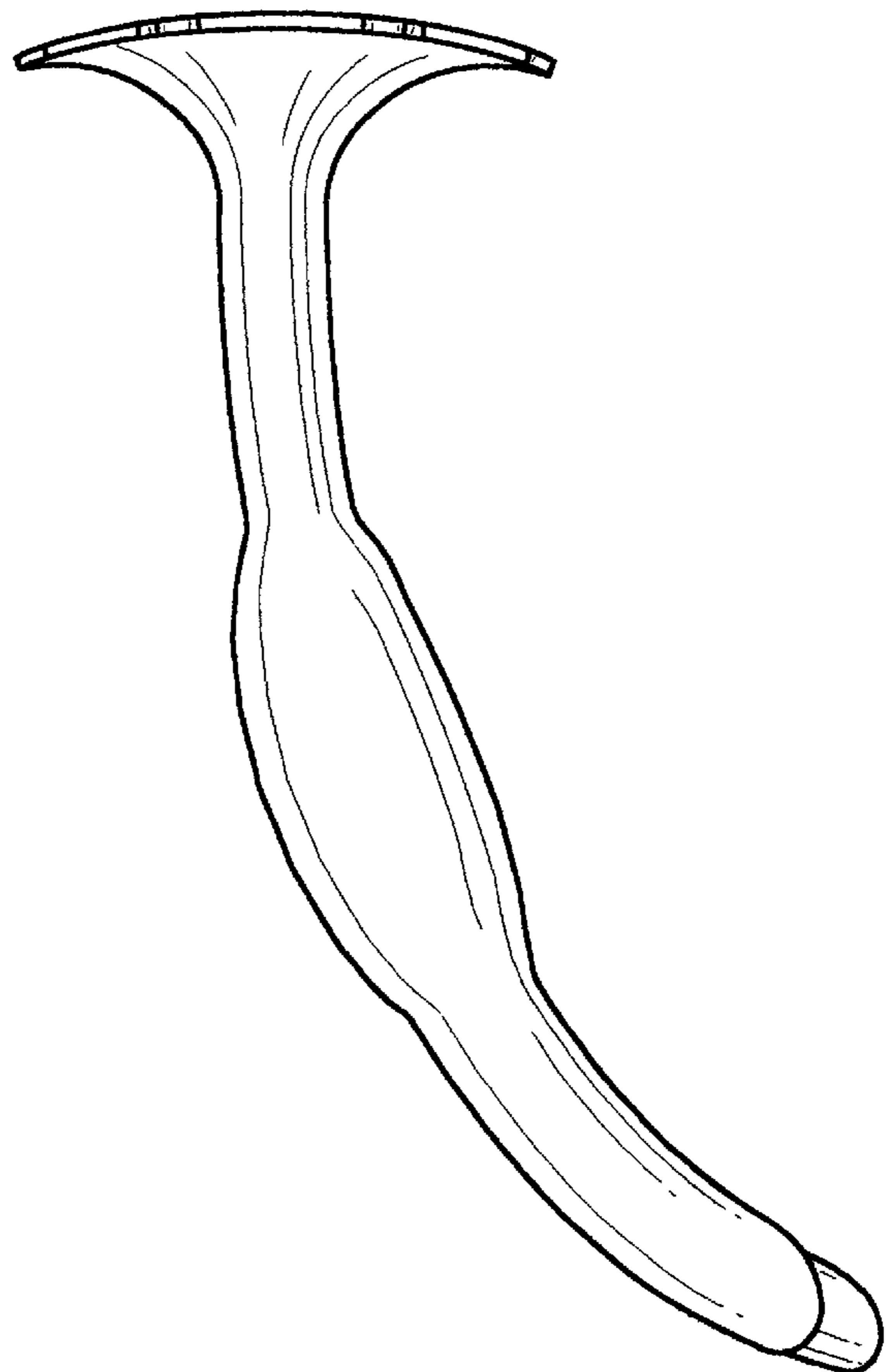


Fig. 3

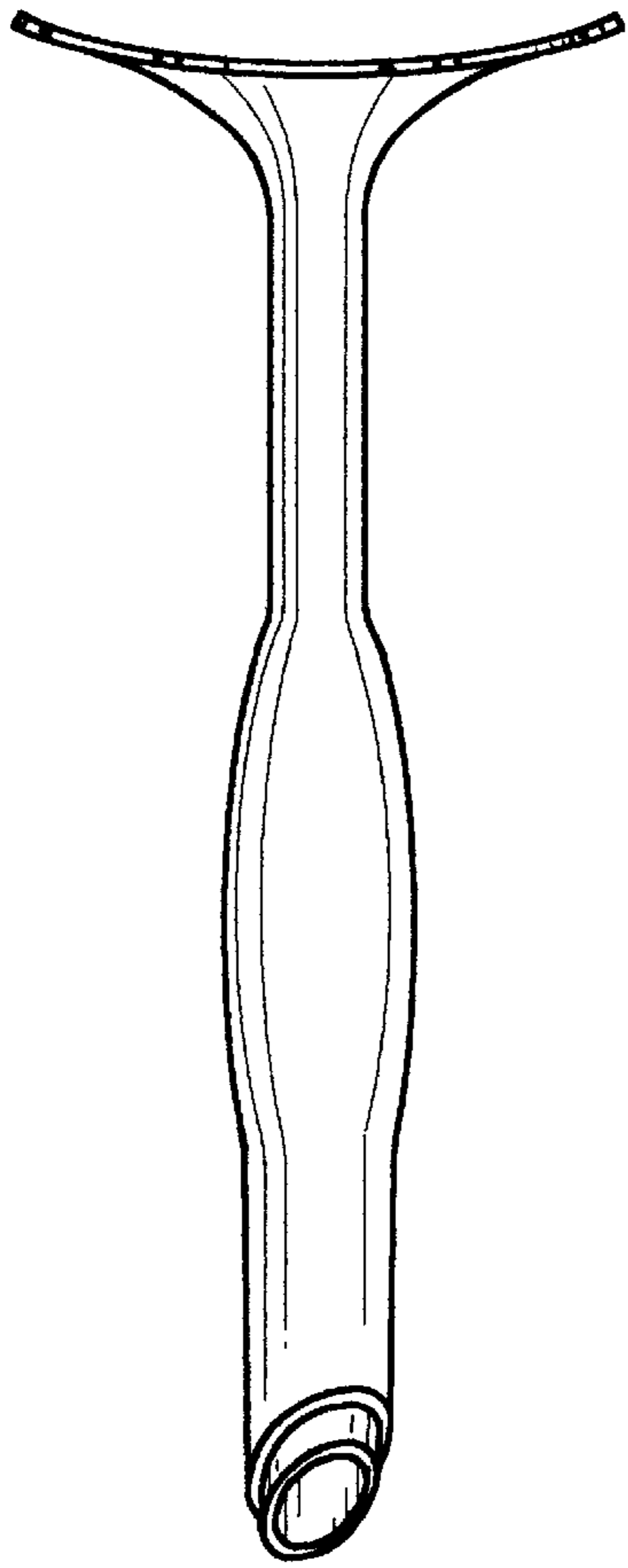


Fig. 4

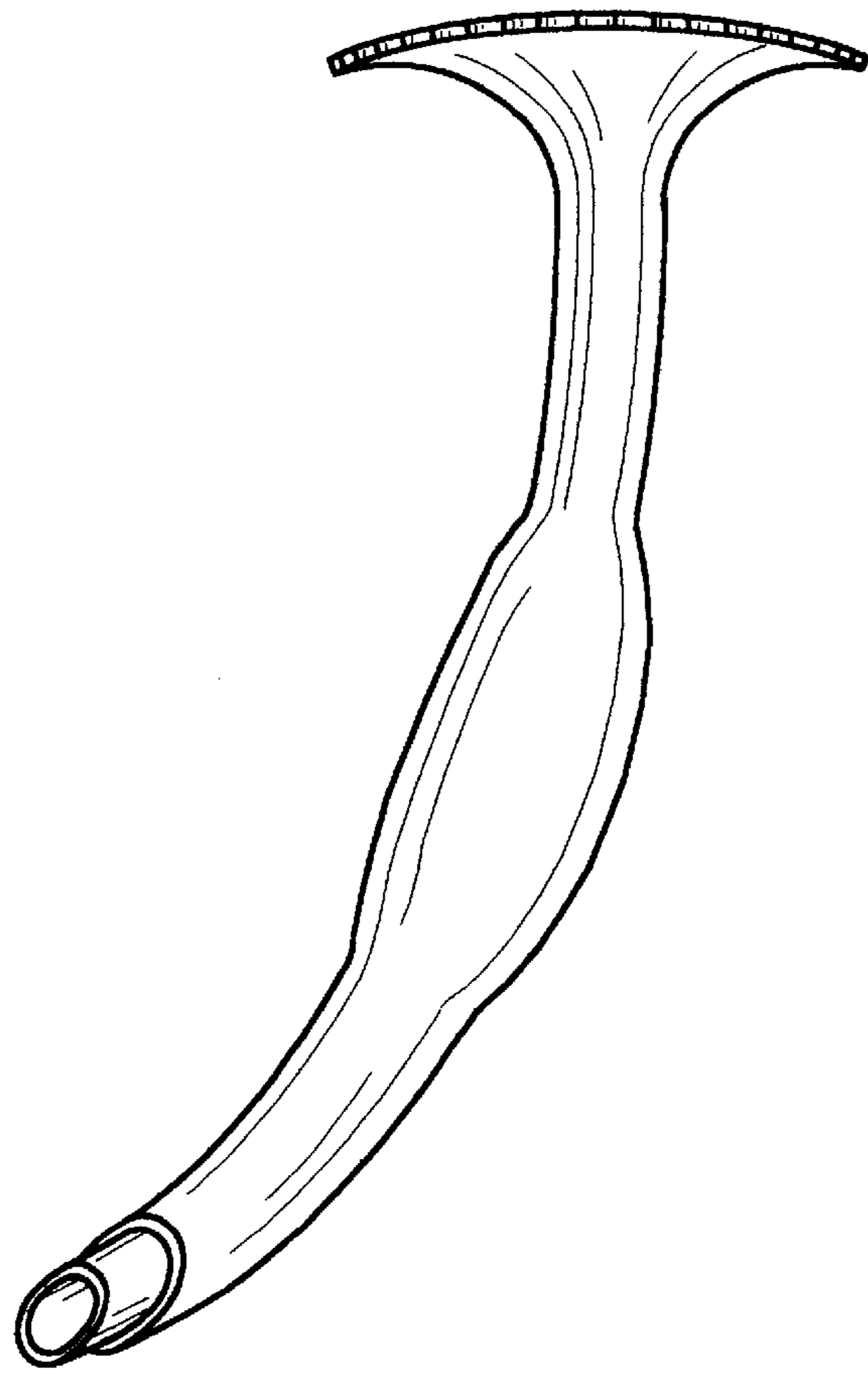


Fig. 5

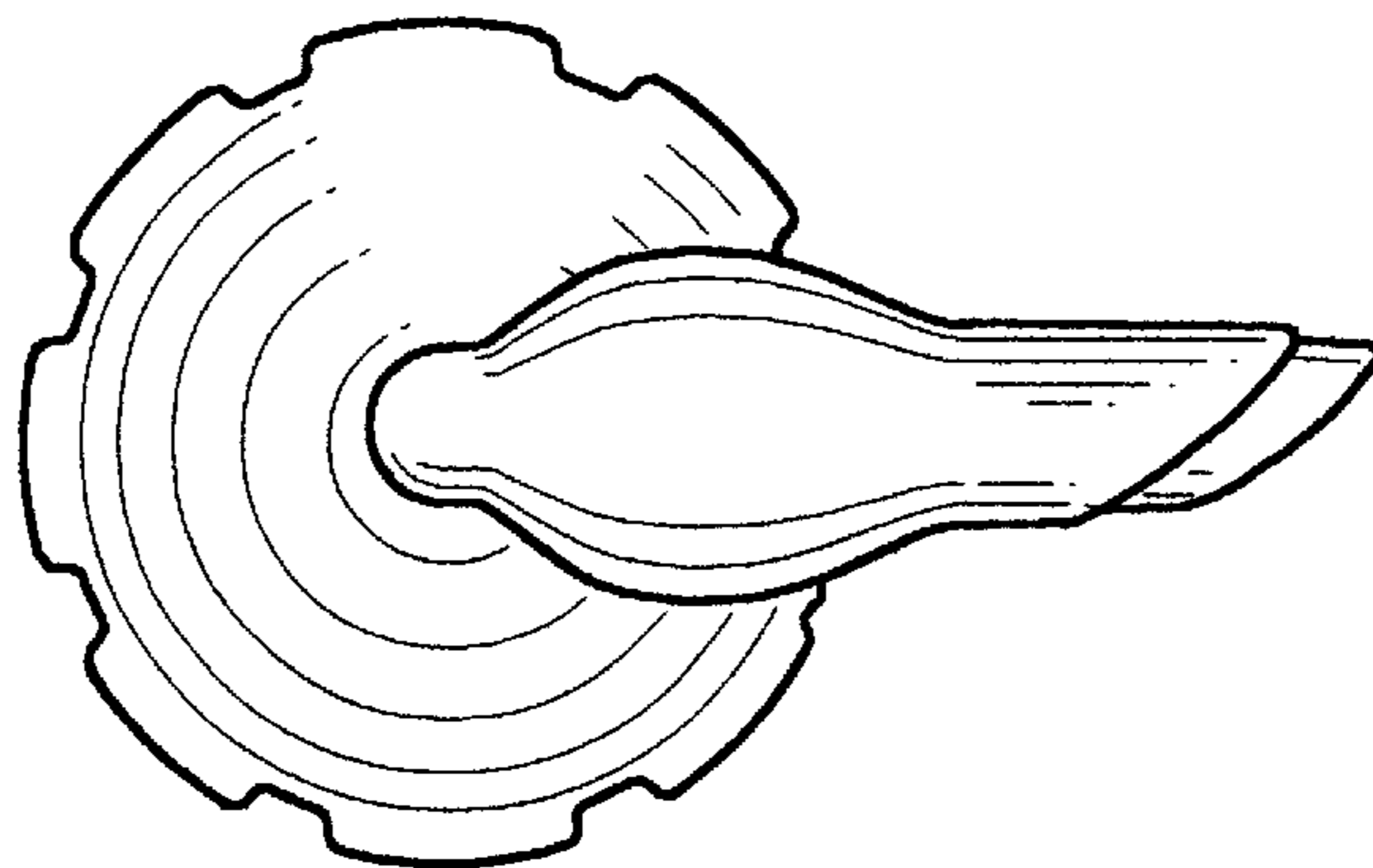


Fig. 6