



US00D446578B1

(12) **United States Design Patent**
Jansen et al.

(10) **Patent No.:** **US D446,578 S**

(45) **Date of Patent:** **** Aug. 14, 2001**

(54) **DRUG CONTAINER HOLDER**

(75) Inventors: **Hubert Jansen, Poisat; Lionel Vedrine,**
Saint Martin d'Herès, both of (FR)

(73) Assignee: **Becton, Dickinson and Company,**
Franklin Lakes, NJ (US)

(**) Term: **14 Years**

4,923,448	5/1990	Ennnis, III .
4,929,230	5/1990	Pfleger .
4,944,431	7/1990	Blake .
4,962,868	10/1990	Borchard .
4,964,866	10/1990	Szwarc .
4,966,535	10/1990	Lina et al. .
4,986,818	1/1991	Imbert et al. .

(List continued on next page.)

FOREIGN PATENT DOCUMENTS

(21) Appl. No.: **29/112,339**

(22) Filed: **Oct. 14, 1999**

(51) **LOC (7) Cl.** **24-02**

(52) **U.S. Cl.** **D24/114; D24/110; D24/128;**
D24/130

(58) **Field of Search** D24/133, 114,
D24/112, 128, 130, 110, 113; 128/200.19,
200.14, 200.22; 604/197, 232, 192, 220,
210, 193, 198

(56) **References Cited**

U.S. PATENT DOCUMENTS

D. 212,991	*	12/1968	Evers et al.	D24/114
D. 226,767	*	4/1973	Dragen	D24/114
D. 328,643	*	8/1992	Mitchell	D24/114
D. 331,106	*	11/1992	Fuchs	D24/110
D. 401,323		11/1998	Ritsche .	
D. 414,555	*	9/1999	Ritsche	D24/110
D. 418,222	*	12/1999	Pellow	D24/130
D. 425,198	*	5/2000	Porta	D24/130
D. 433,123	*	10/2000	Sheppard et al.	D24/110
3,874,380		4/1975	Baum .	
3,874,381		4/1975	Baum .	
4,061,254		12/1977	Nilson .	
4,235,235		11/1980	Bekkering .	
4,344,573		8/1982	De Felice .	
4,405,308		9/1983	Jessup .	
4,599,082		7/1986	Grimard .	
4,613,326		9/1986	Szwarc .	
4,673,110		6/1987	Workum .	
4,767,416		8/1988	Wolf et al. .	
4,883,470		11/1989	Haindl .	
4,919,167		4/1990	Manska .	
4,923,447		5/1990	Morgan .	

0452728 A1	10/1991	(EP) .
0334349 B1	2/1992	(EP) .
0546607 A1	11/1992	(EP) .
0546607 B1	11/1992	(EP) .
0562943 B1	9/1996	(EP) .
0606672 B1	9/1997	(EP) .
0835820 A1	4/1998	(EP) .
0862921 A2	9/1998	(EP) .
0870699 A2	10/1998	(EP) .
0810955 B1	12/1998	(EP) .
0835820 B1	6/1999	(EP) .
2743353	1/1996	(FR) .
2746657 A1	3/1996	(FR) .
2746676 A1	4/1996	(FR) .
2758801	1/1997	(FR) .

(List continued on next page.)

Primary Examiner—Ian Simmons

(74) *Attorney, Agent, or Firm*—Allen W. Wark

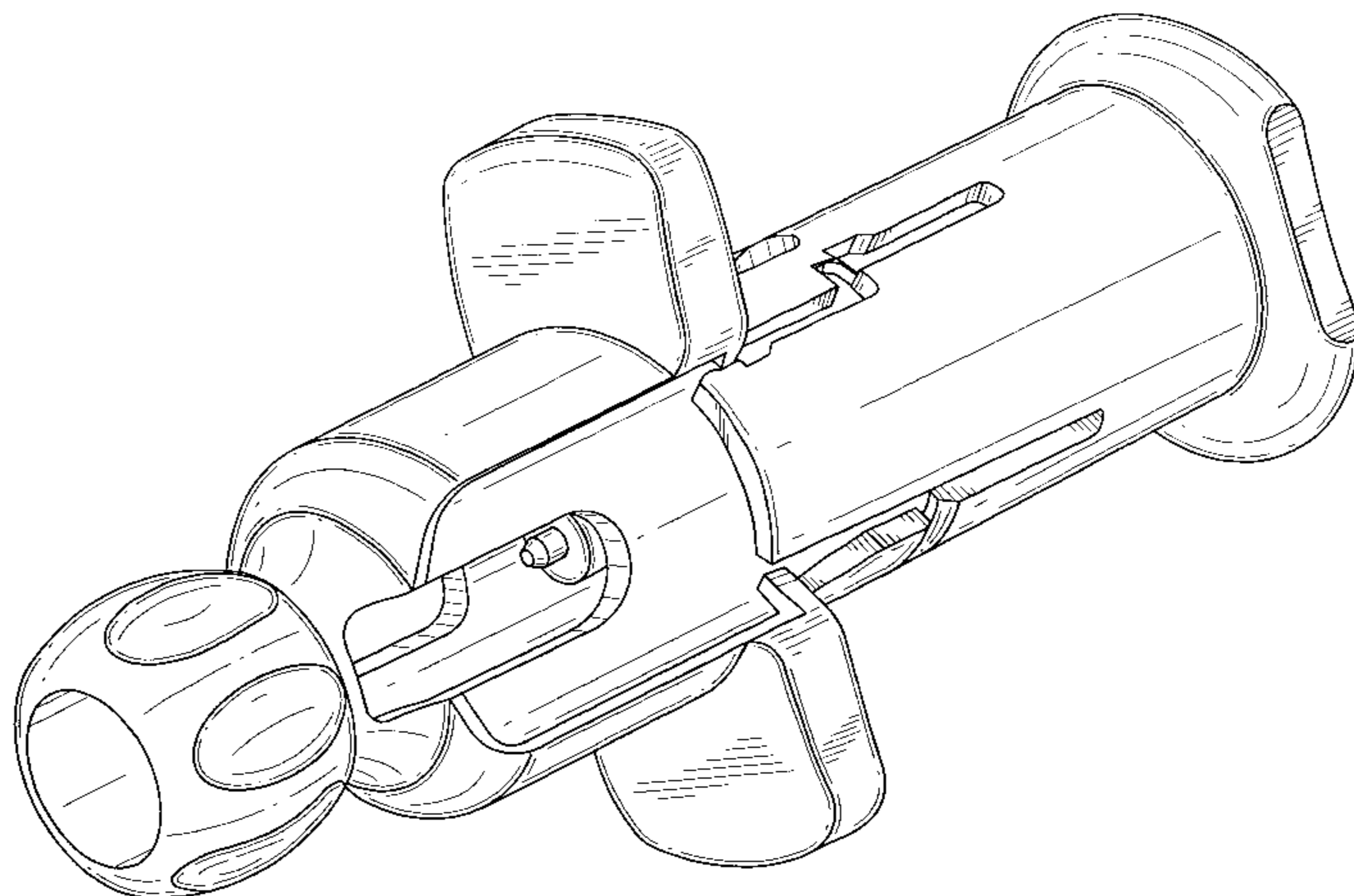
(57) **CLAIM**

The ornamental design for a drug container holder, as shown and described.

DESCRIPTION

FIG. 1 is a top, side and distal end perspective view of a drug container holder showing our new design; FIG. 2 is a distal end view; FIG. 3 is a proximal end view; FIG. 4 is a side elevation view having an opposite side being a mirror image; and, FIG. 5 is a top plan view having a bottom side being a mirror image.

1 Claim, 4 Drawing Sheets



US D446,578 S

Page 2

U.S. PATENT DOCUMENTS

4,994,045 2/1991 Ranford .
5,171,219 12/1992 Fujioka et al. .
5,181,658 1/1993 Behar .
5,284,132 2/1994 Geier .
5,289,818 3/1994 Citterio et al. .
5,427,280 6/1995 Fuchs .
5,447,151 9/1995 Bruna et al. .
5,511,698 4/1996 Salignac .
5,514,107 * 5/1996 Haber et al. 604/232
5,519,980 5/1996 Guentert et al. .
5,584,417 12/1996 Graf et al. .
5,601,077 2/1997 Imbert .
5,607,400 3/1997 Thibault et al. .
5,630,793 5/1997 Rowe .
5,655,689 8/1997 Fuchs et al. .
5,662,098 9/1997 Yoshida .
5,692,650 12/1997 Wolter et al. .
5,769,325 6/1998 Jouillat et al. .
5,813,570 9/1998 Fuchs et al. .
5,860,567 1/1999 Fuchs et al. .
5,862,962 1/1999 Fuchs et al. .
5,875,938 3/1999 Graf et al. .

5,893,484 4/1999 Fuchs et al. .
5,901,883 5/1999 Ritsche .
5,951,526 9/1999 Korisch et al. .

OTHER PUBLICATIONS

2738555 3/1997 (FR) .
2761281 A1 3/1997 (FR) .
2747451 A1 4/1997 (FR) .
2747926 A1 4/1997 (FR) .
2762589 A1 4/1997 (FR) .
2764807 A1 6/1997 (FR) .
2754453 A1 10/1997 (FR) .
2773135 A1 12/1997 (FR) .
2760195 A1 3/1998 (FR) .
2764375 A1 6/1998 (FR) .
2761667 10/1998 (FR) .
09-8545 1/1998 (JP) .
WO 97/01611 1/1997 (WO) .
WO 98/06502 2/1998 (WO) .
WO 98/34732 8/1998 (WO) .

* cited by examiner

FIG. 1

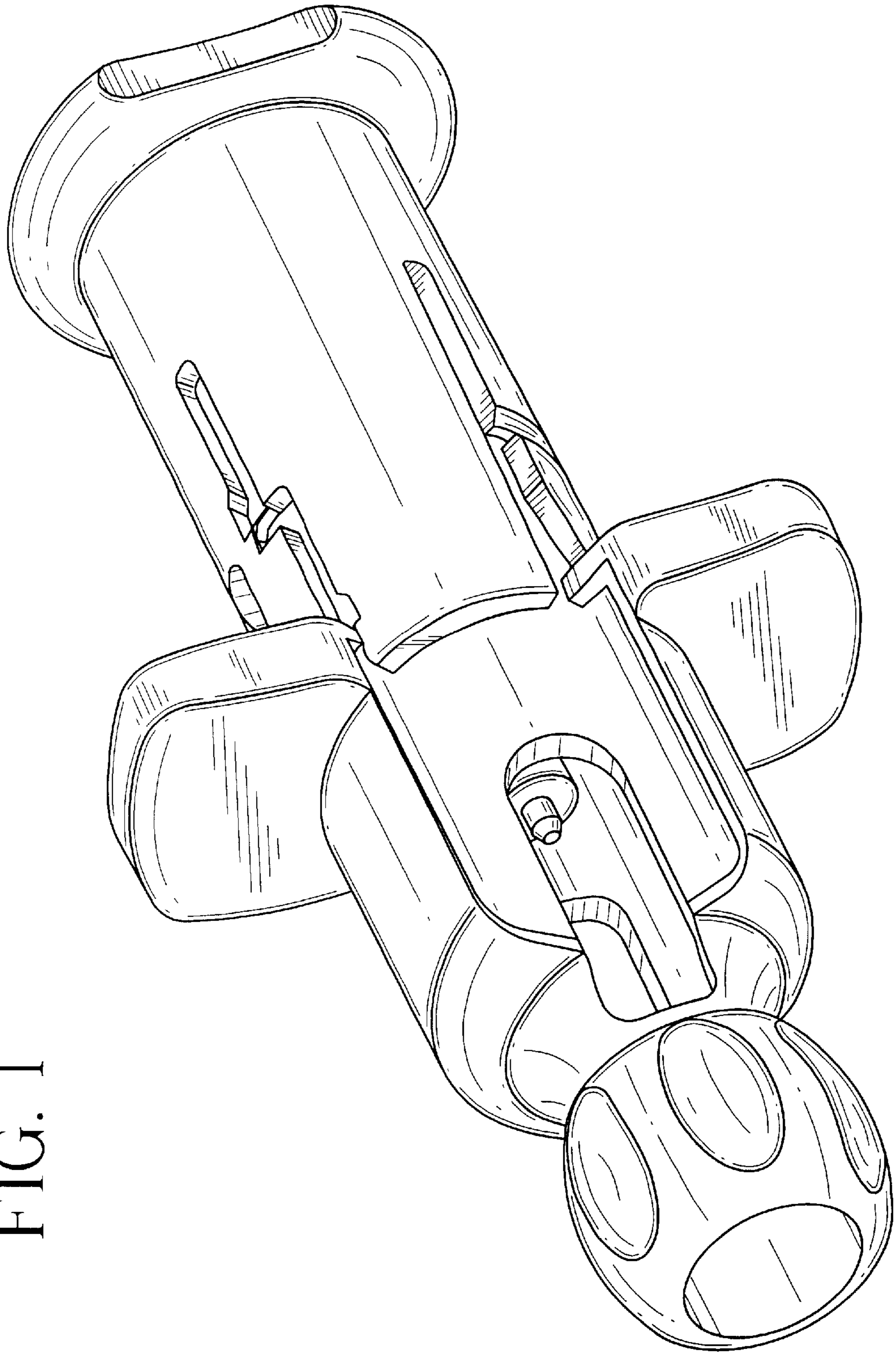


FIG. 3

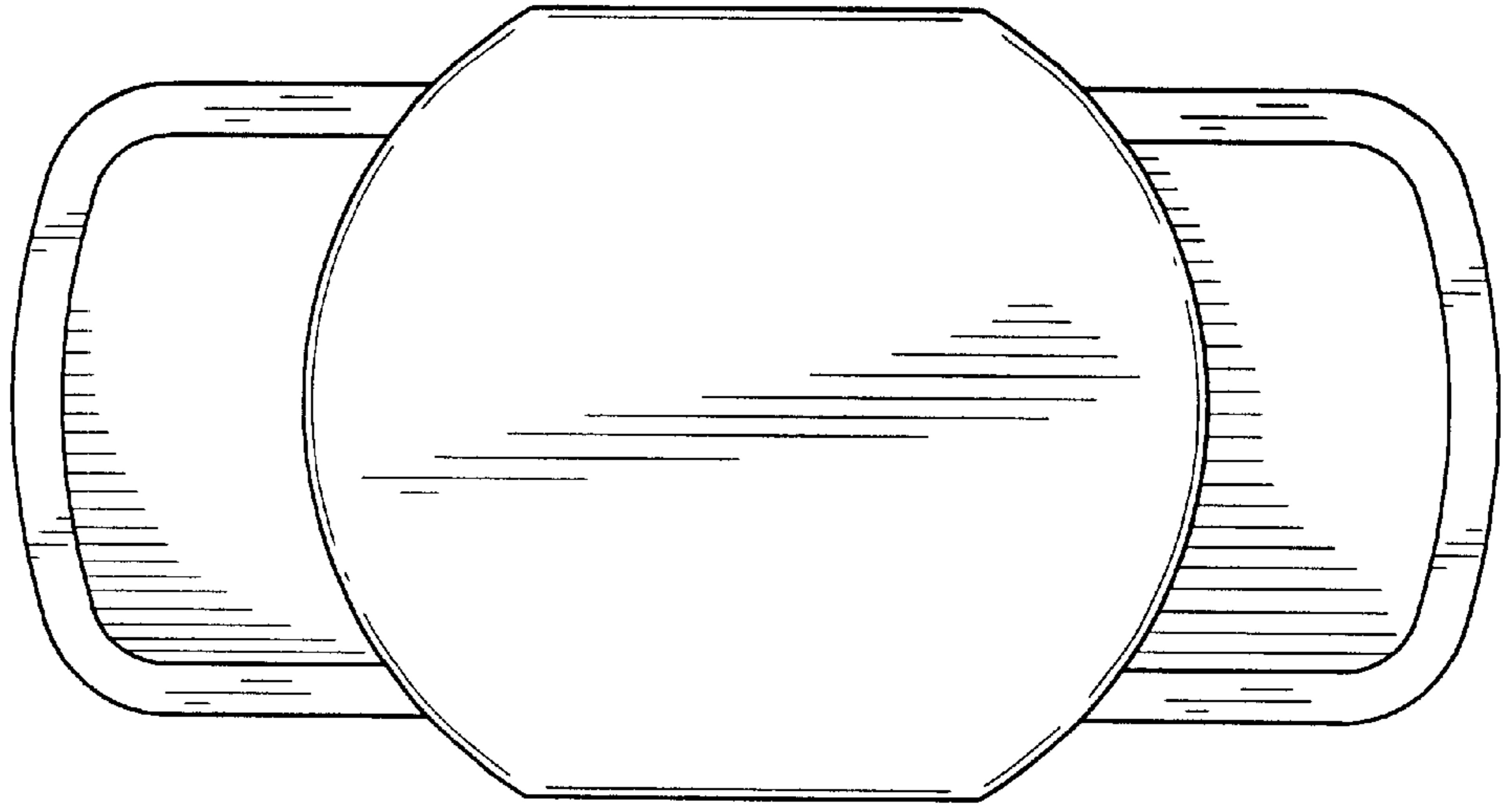
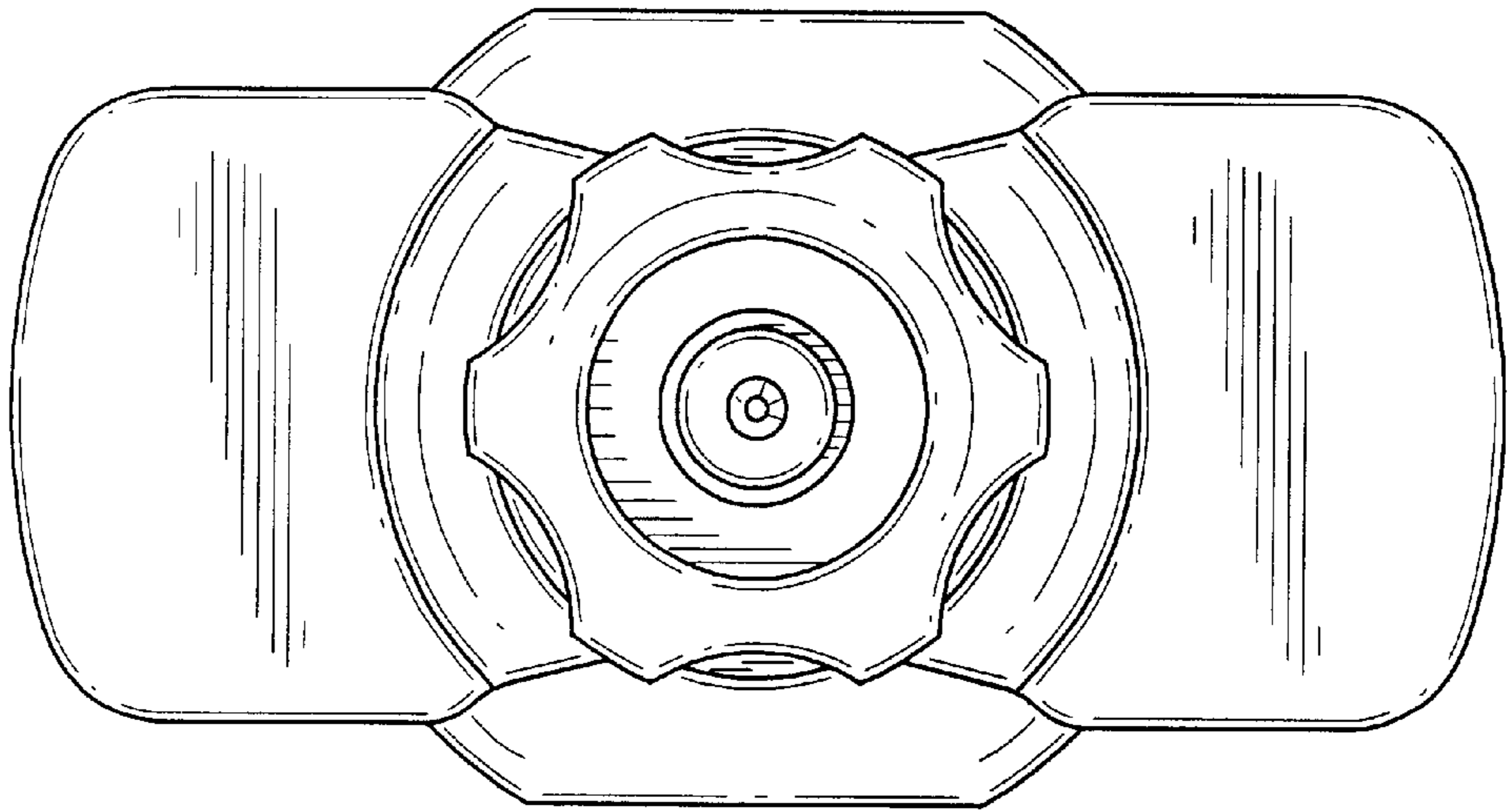


FIG. 2



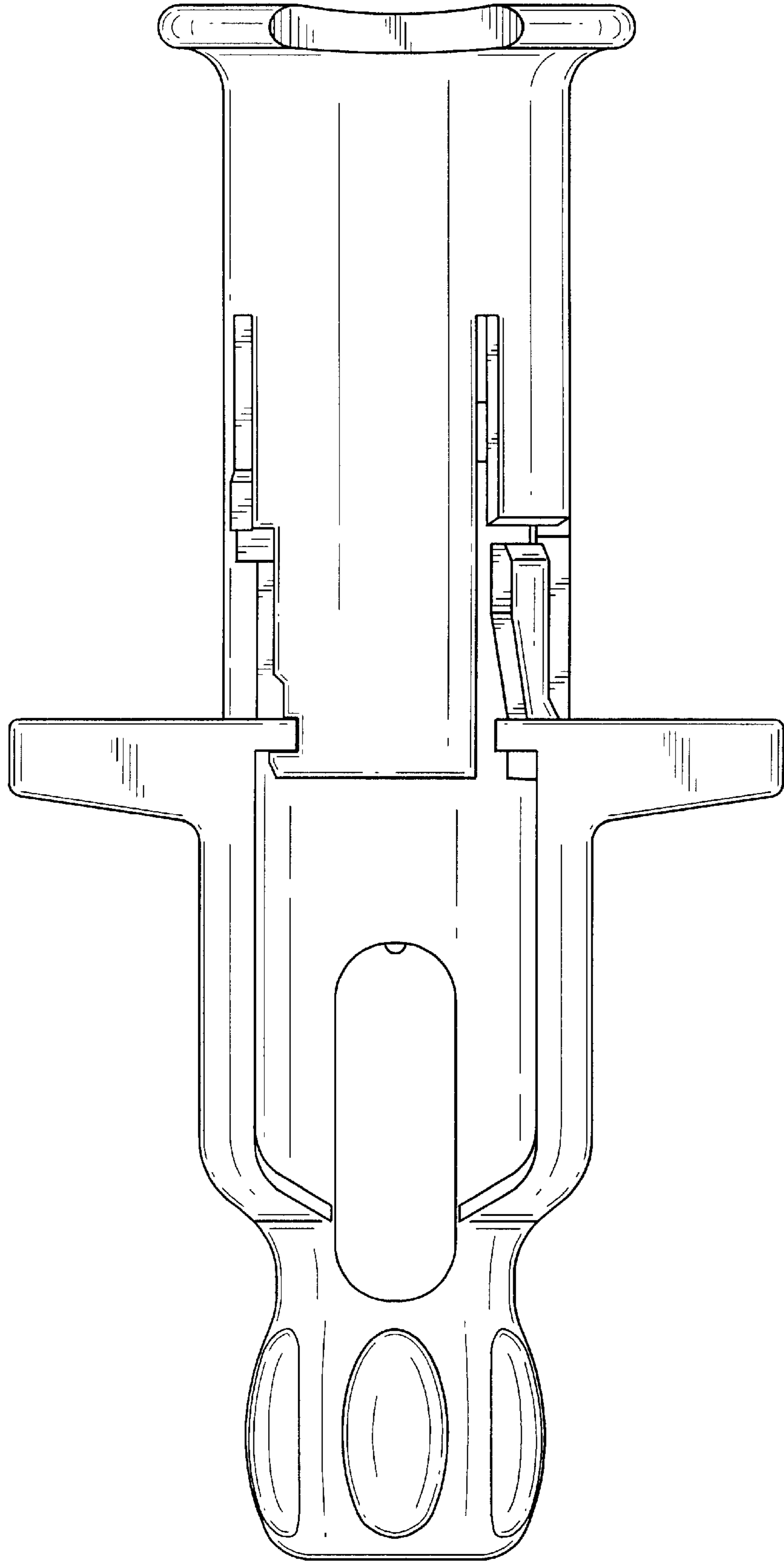


FIG. 4

FIG. 5

