



US00D446575B1

(12) **United States Design Patent**
Ferrer Beltran

(10) **Patent No.:** **US D446,575 S**

(45) **Date of Patent:** **** Aug. 14, 2001**

(54) **WASHBASIN AND FURNITURE STAND**

(75) Inventor: **Jose M^a Ferrer Beltran, Bonrepos (ES)**

(73) Assignee: **Ibergesfer, S.L., Bonrepos (ES)**

(**) Term: **14 Years**

(21) Appl. No.: **29/129,598**

(22) Filed: **Sep. 18, 2000**

(30) **Foreign Application Priority Data**

Mar. 22, 2000 (ES) 147959

(51) **LOC (7) Cl.** **23-02**

(52) **U.S. Cl.** **D23/293.1**

(58) **Field of Search** D23/270, 274,
D23/284-286, 289, 293.1, 303, 308; 4/619,
630-632, 638, 640, 643; D6/396-397, 405,
480, 574; 108/24, 156, 161

(56) **References Cited**

U.S. PATENT DOCUMENTS

- D. 191,432 * 10/1961 Chapman D23/286 X
- D. 231,885 * 6/1974 Kephart D6/480
- D. 326,903 * 6/1992 Reid D23/284
- D. 391,353 * 2/1998 McKeone D23/284
- 3,039,621 * 6/1962 Pilcher D6/479 X

* cited by examiner

Primary Examiner—Louis S. Zarfes

Assistant Examiner—Robert A. Delehanty

(74) *Attorney, Agent, or Firm*—Lackenbach Siegel
Marzullo Aronson & Greenspan

(57) **CLAIM**

The ornamental design for a washbasin and furniture stand,
as shown and described.

DESCRIPTION

FIG. 1 is a top, left, front perspective view of a washbasin and furniture stand showing my new design with the two front rungs shown in cross-section in order to show the profile thereof;

FIG. 2 is a top plan view of the furniture stand shown separately for clarity of illustration;

FIG. 3 is a front elevation view thereof;

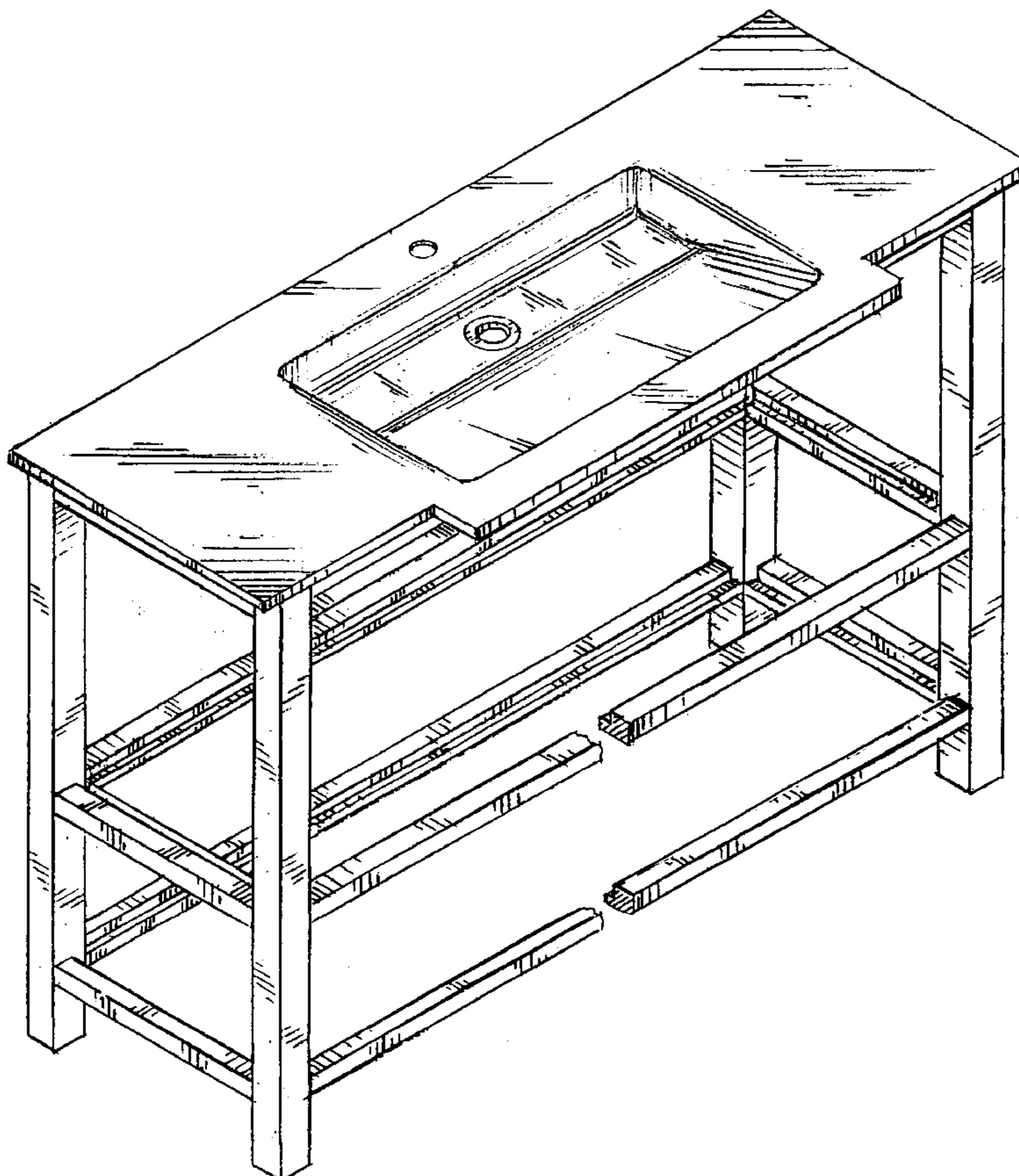
FIG. 4 is a left side elevation view, the right side being a mirror image thereof;

FIG. 5 is a top plan view of the washbasin shown separately on an enlarged scale for clarity of illustration thereof;

FIG. 6 is a left side elevation view shown partially broken away on an enlarged scale for clarity of illustration of the drain opening thereof; and,

FIG. 7 is a rear view shown on an enlarged view thereof.

1 Claim, 3 Drawing Sheets



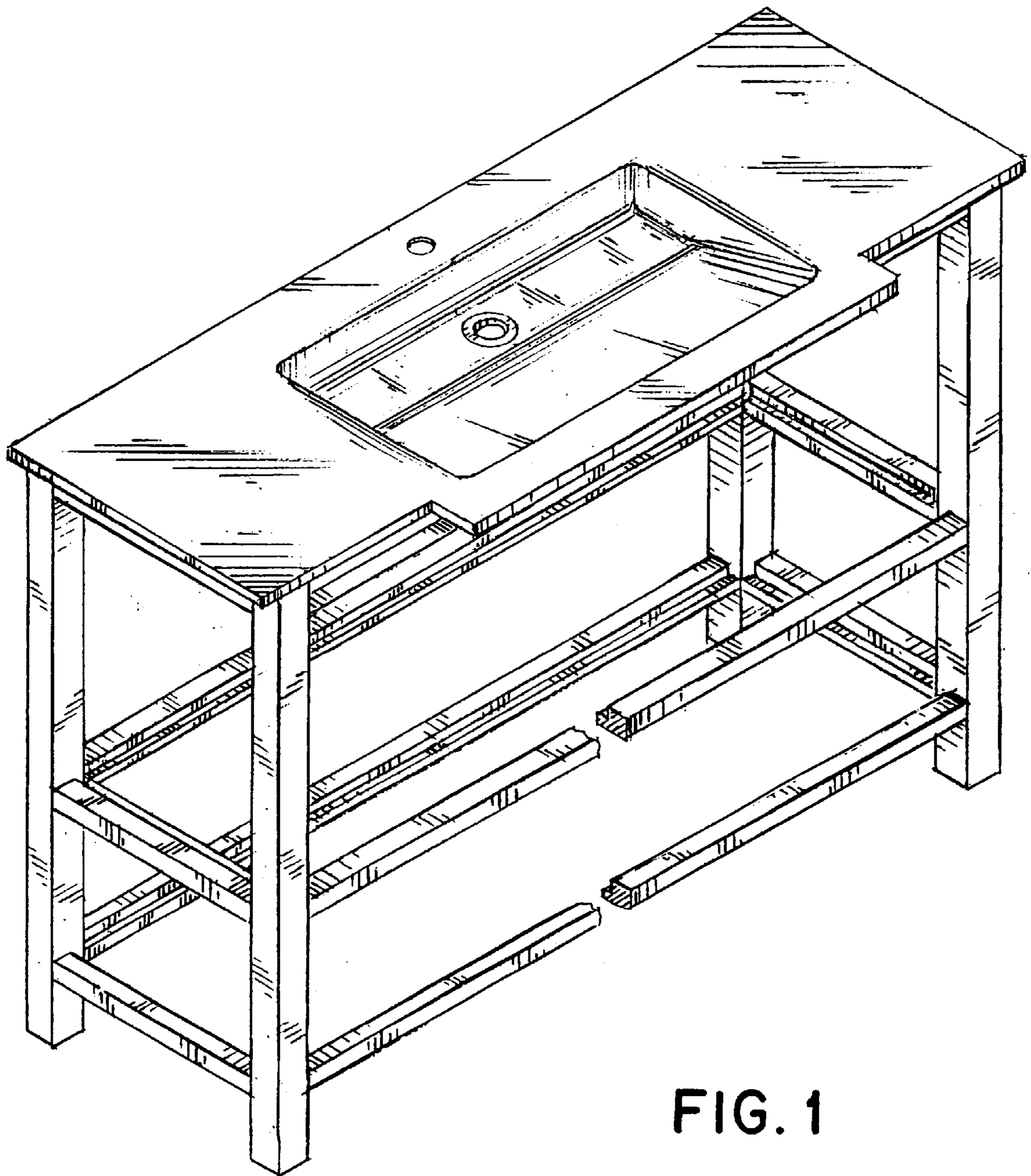


FIG. 1

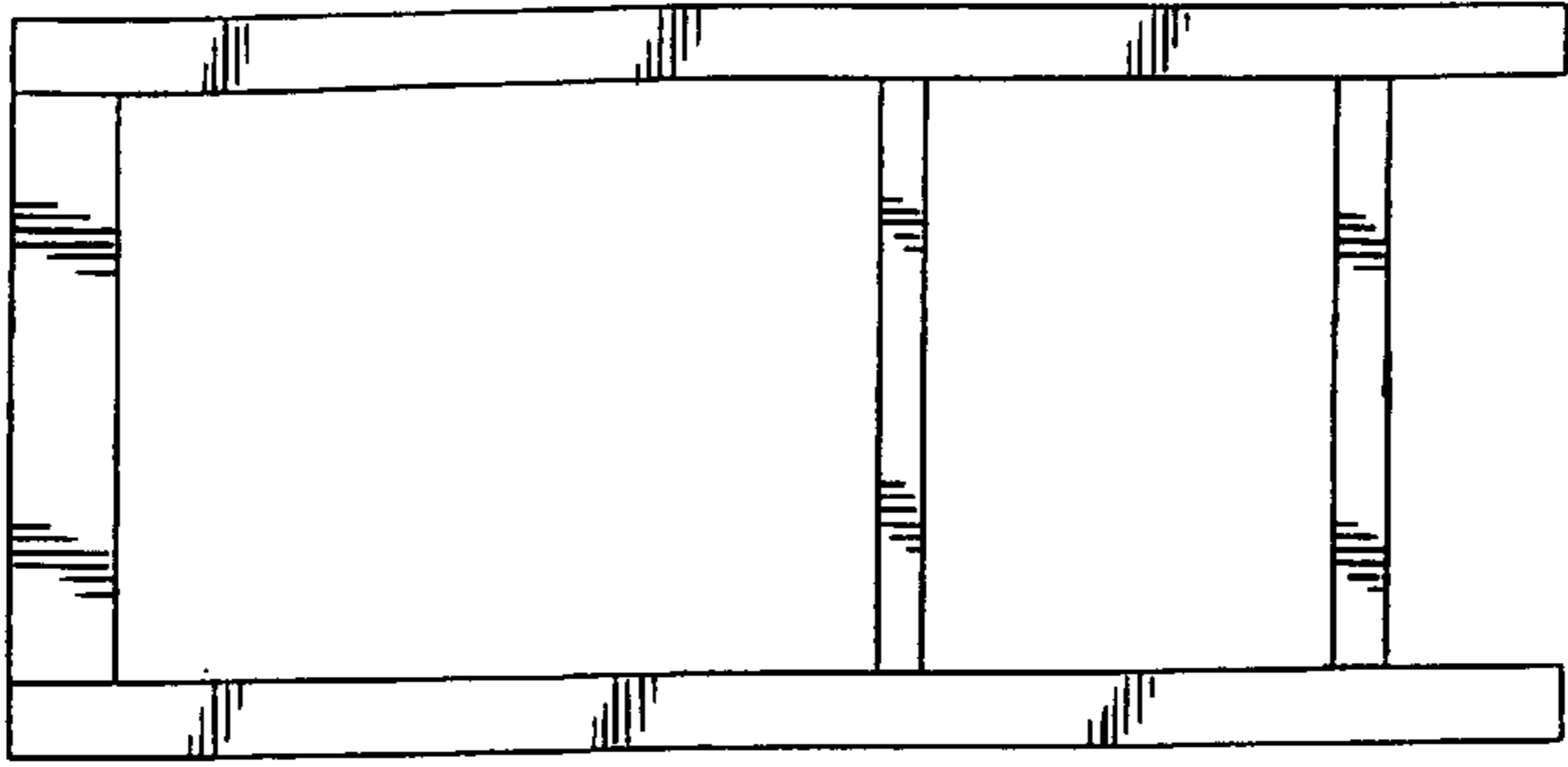


FIG. 4

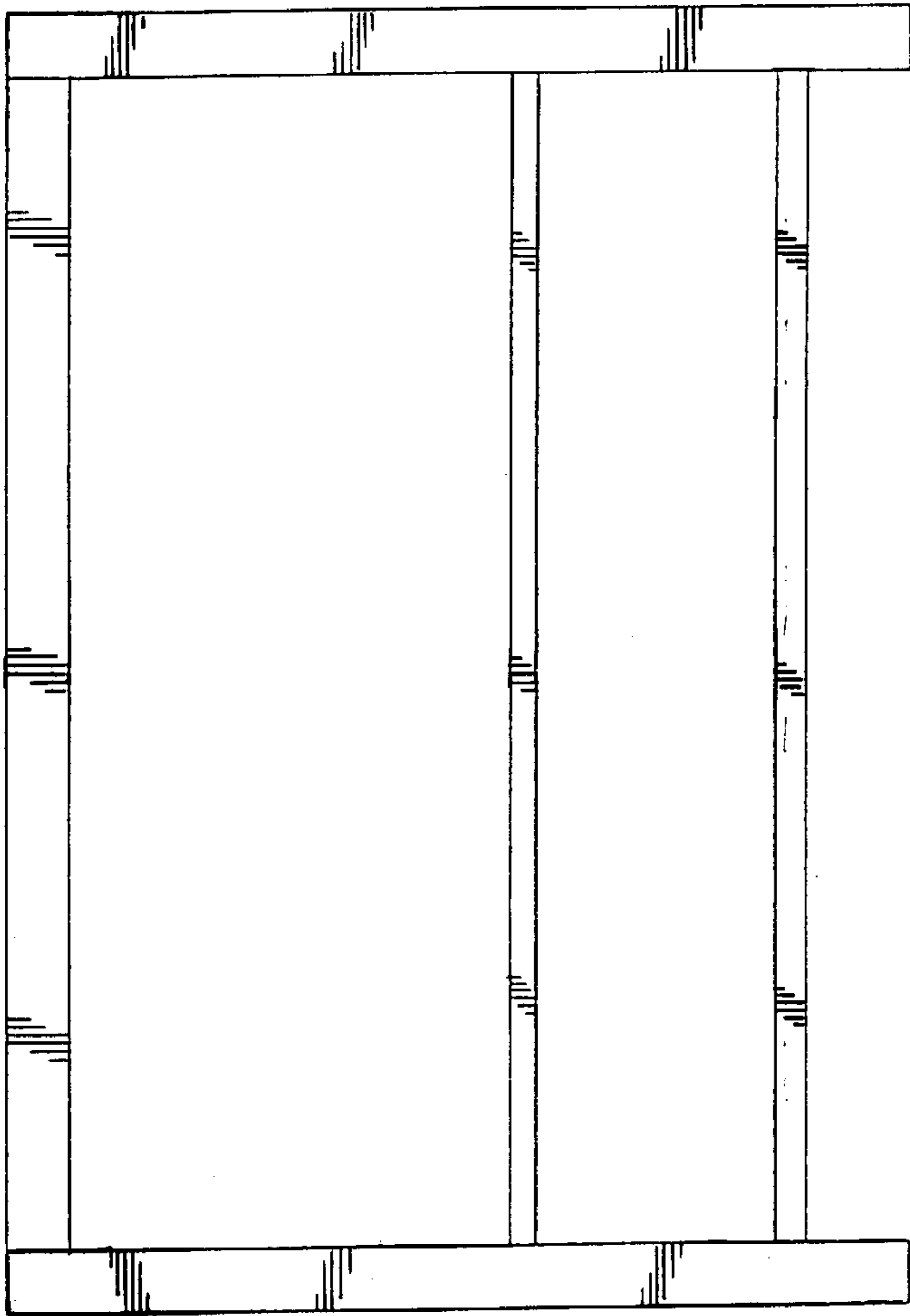


FIG. 3

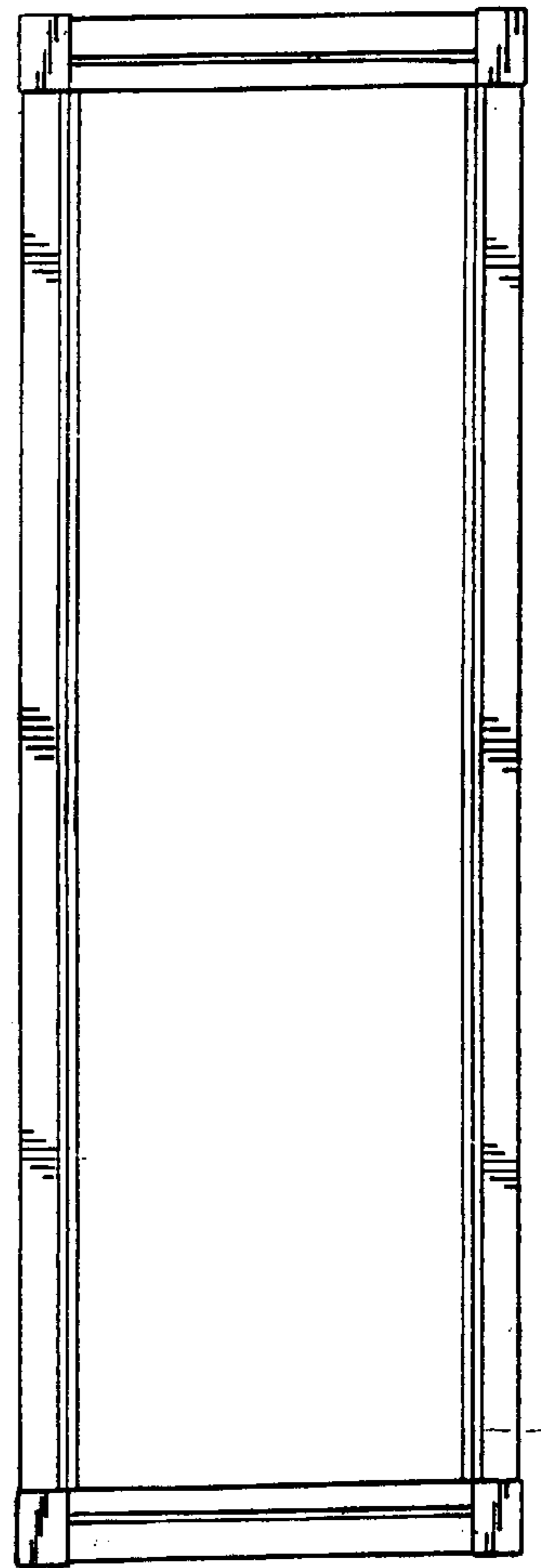


FIG. 2

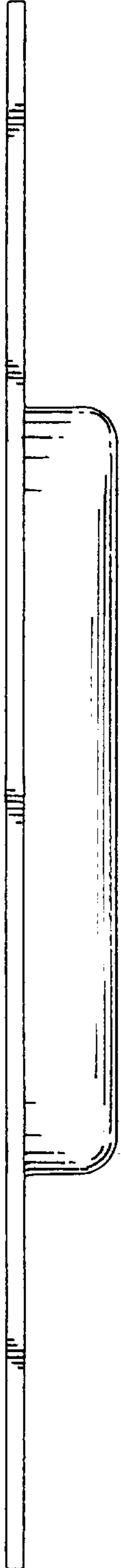


FIG. 7

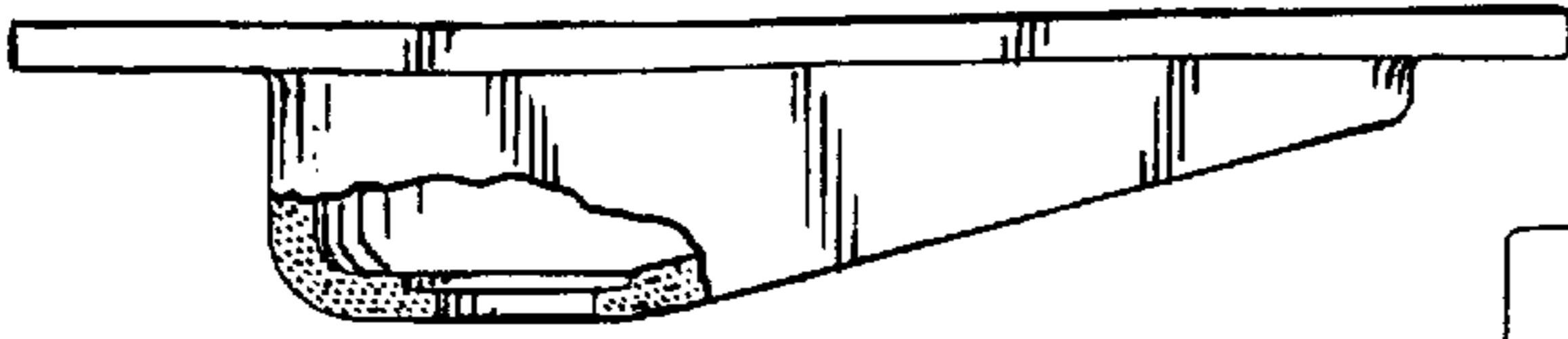


FIG. 6

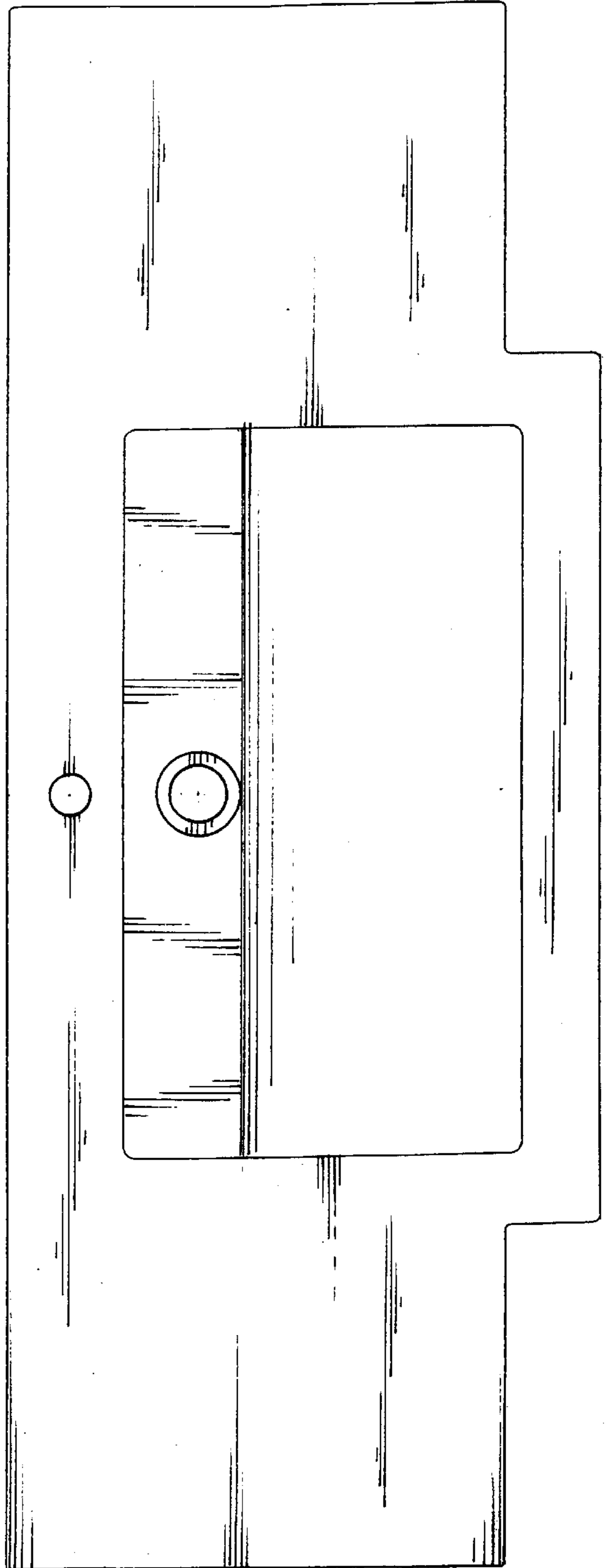


FIG. 5