



US00D446574B1

(12) **United States Design Patent**
Thomas et al.

(10) **Patent No.:** **US D446,574 S**

(45) **Date of Patent:** **** Aug. 14, 2001**

(54) **TUB FOR BATHING**

(75) Inventors: **Carter J. Thomas**, Cedarburg; **David J. O'Connell**; **Mary J. Reid**, both of Sheboygan, all of WI (US)

(73) Assignee: **Kohler Co.**, Kohler, WI (US)

(**) Term: **14 Years**

(21) Appl. No.: **29/127,420**

(22) Filed: **Aug. 4, 2000**

(51) **LOC (7) Cl.** **23-02**

(52) **U.S. Cl.** **D23/280.1**

(58) **Field of Search** D23/275-278,
D23/280.2, 303-307; 4/538, 540, 541.1-541.6,
546, 548, 557, 558, 584, 593

(56) **References Cited**

U.S. PATENT DOCUMENTS

D. 90,640	*	9/1933	Yent	D23/277
D. 221,139	*	7/1971	Diemond et al.	D23/280.1 X
D. 241,643	*	9/1976	Lanzi	D23/280.1
D. 275,783	*	10/1984	McMillan et al.	D23/283
3,020,561	*	2/1962	Cotting	4/595
3,151,341	*	10/1964	King	D23/283 X
5,459,888	*	10/1995	Chen	4/593

* cited by examiner

Primary Examiner—Louis S. Zarfes

Assistant Examiner—Robert A. Delehanty

(74) *Attorney, Agent, or Firm*—Quarles & Brady LLP

(57) **CLAIM**

The ornamental design for a tub for bathing, as shown and described.

DESCRIPTION

In a preferred embodiment, the nature of this product is as a plumbing fixture primarily useful for washing the body of humans.

FIG. 1 is a right, top, front perspective view of a tub for bathing embodying our new design;

FIG. 2 is a top plan view thereof;

FIG. 3 is a front elevational view thereof;

FIG. 4 is a rear elevational view thereof;

FIG. 5 is a left side elevational view thereof;

FIG. 6 is a right side elevational view thereof;

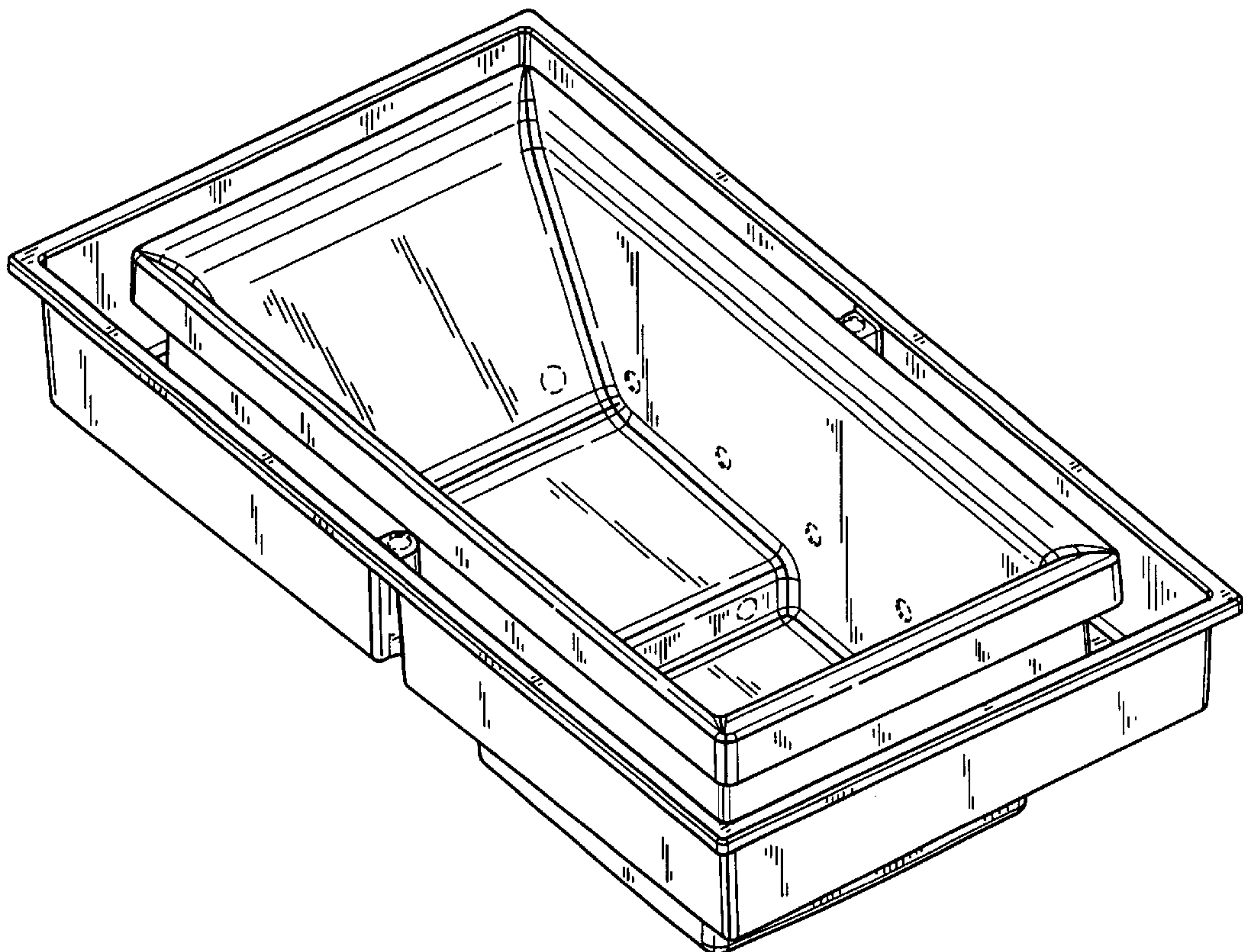
FIG. 7 is a bottom plan view thereof;

FIG. 8 is a cross-sectional view thereof taken along line 8—8 of FIG. 2; and,

FIG. 9 is a cross-sectional view thereof taken along line 9—9 of FIG. 2.

The broken line representations of holes in FIGS. 1-9 are for the purpose of illustration only, and form no part of the claimed design.

1 Claim, 4 Drawing Sheets



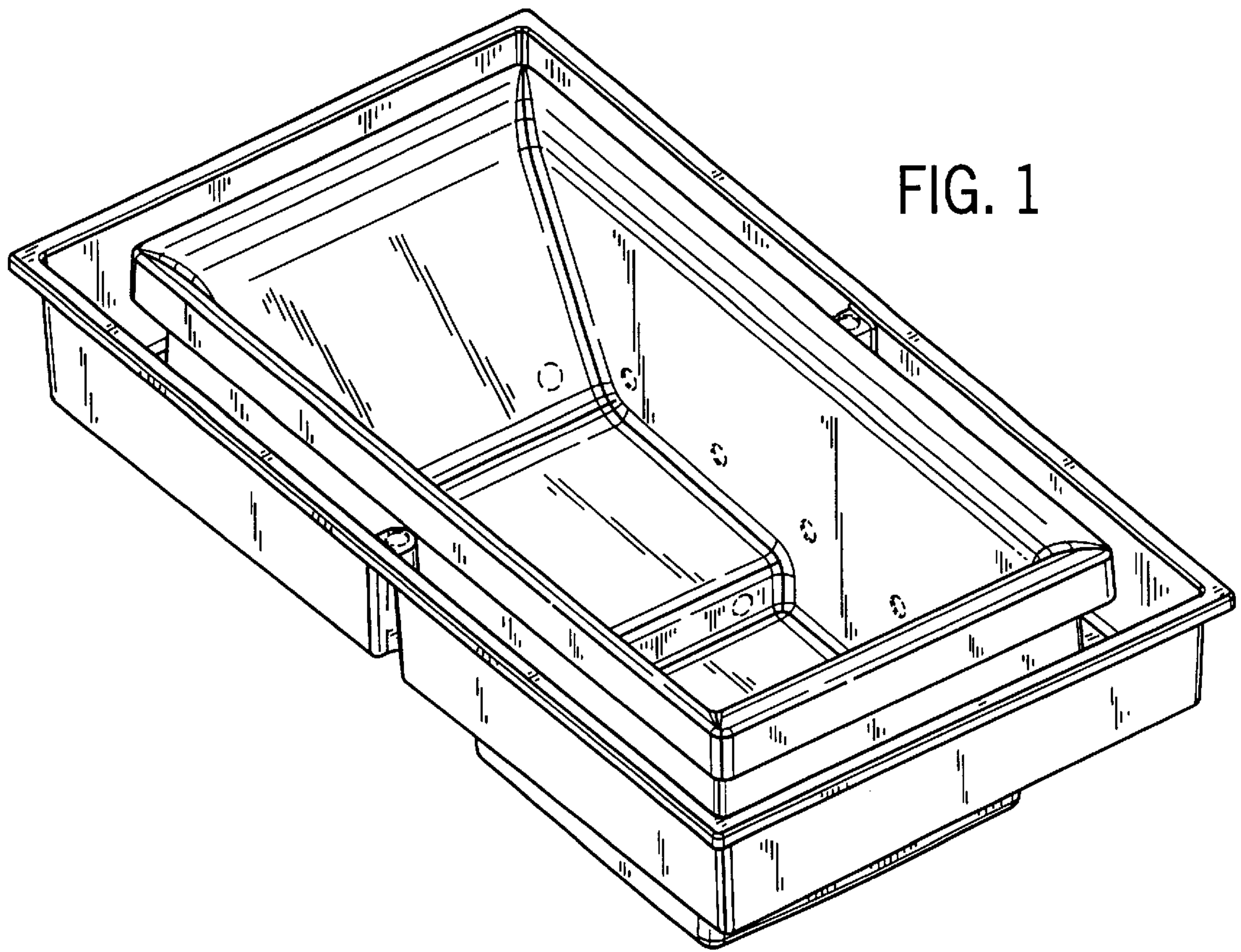


FIG. 2

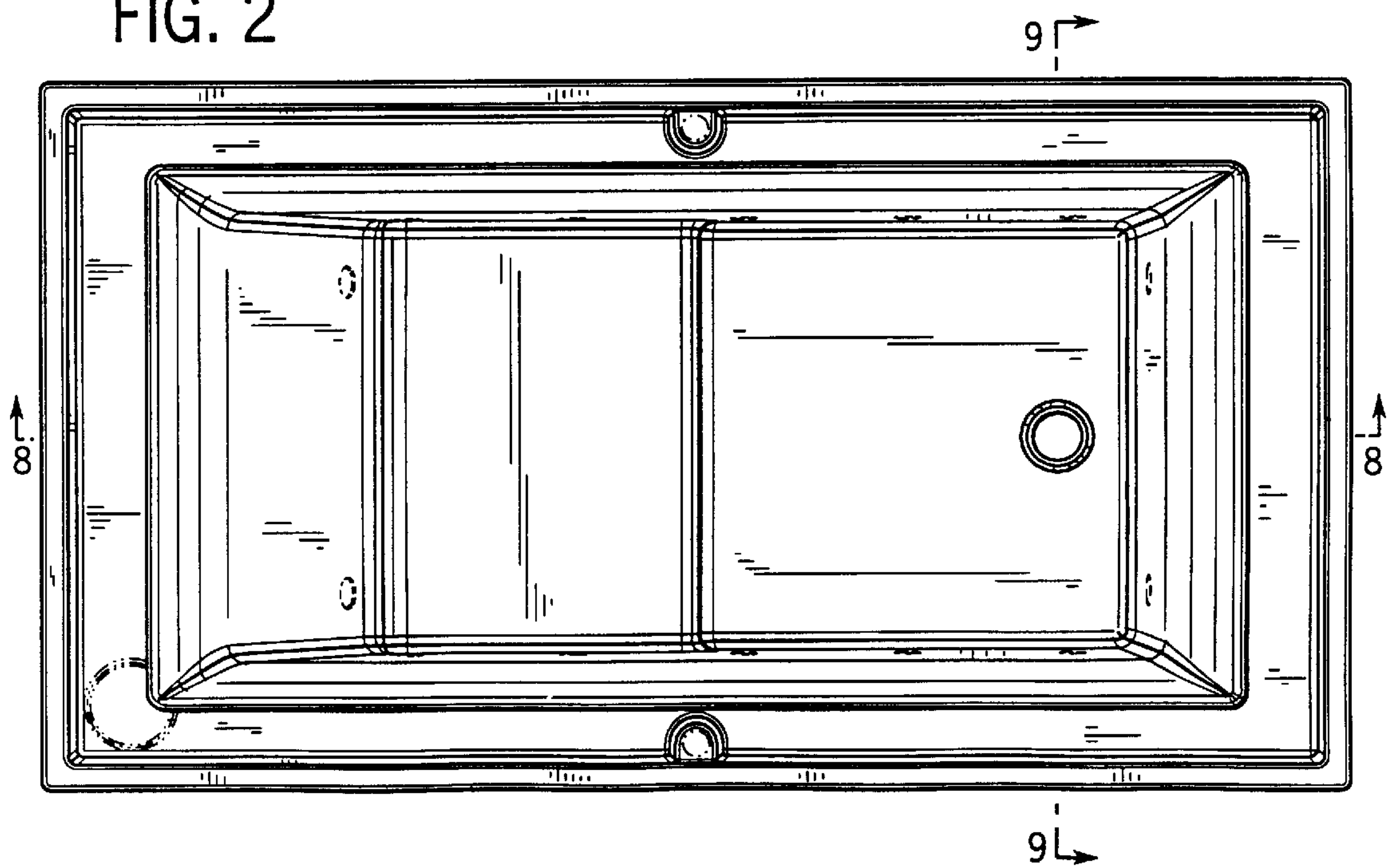


FIG. 3

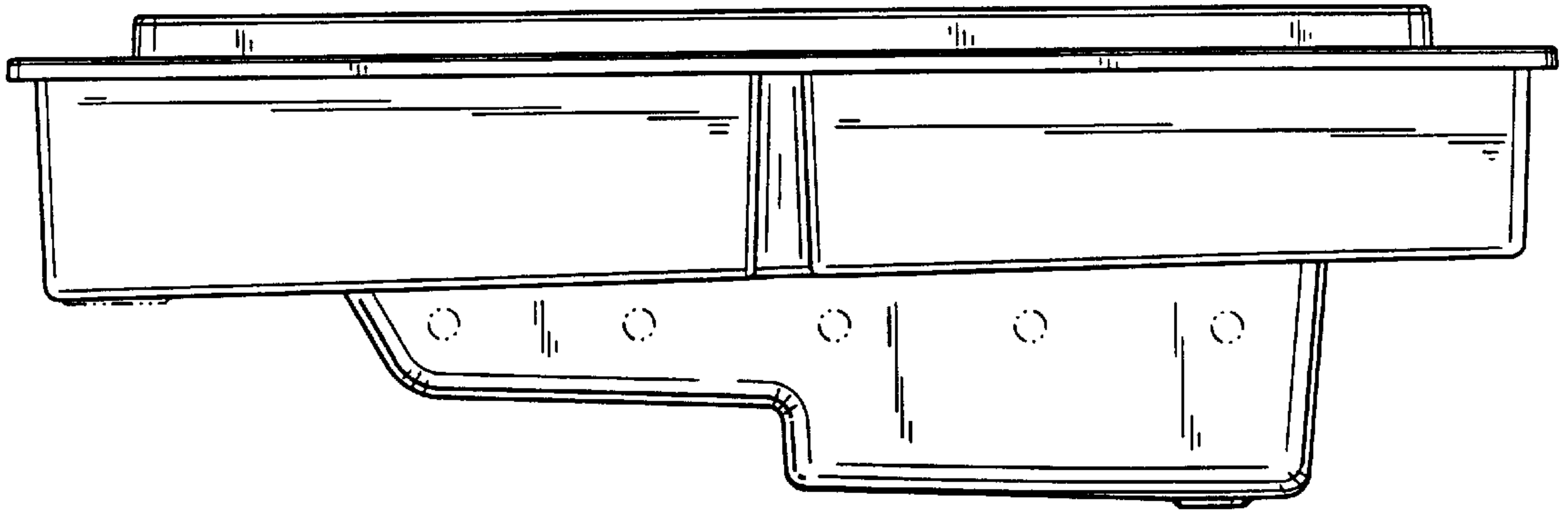


FIG. 4

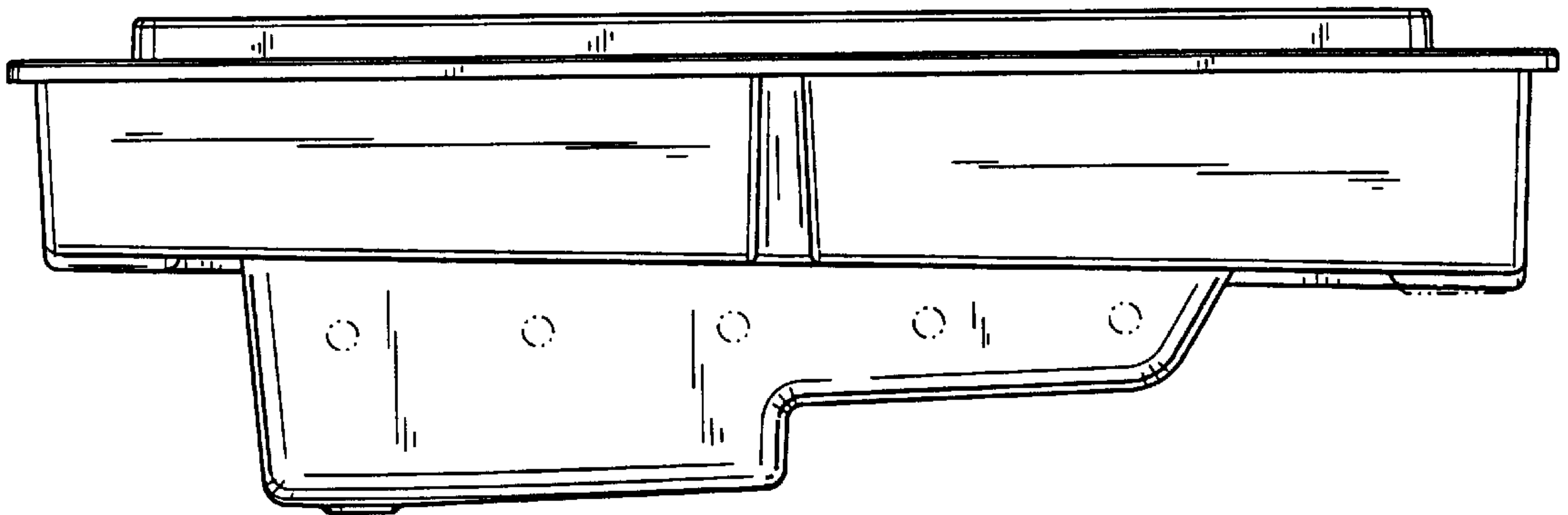


FIG. 5

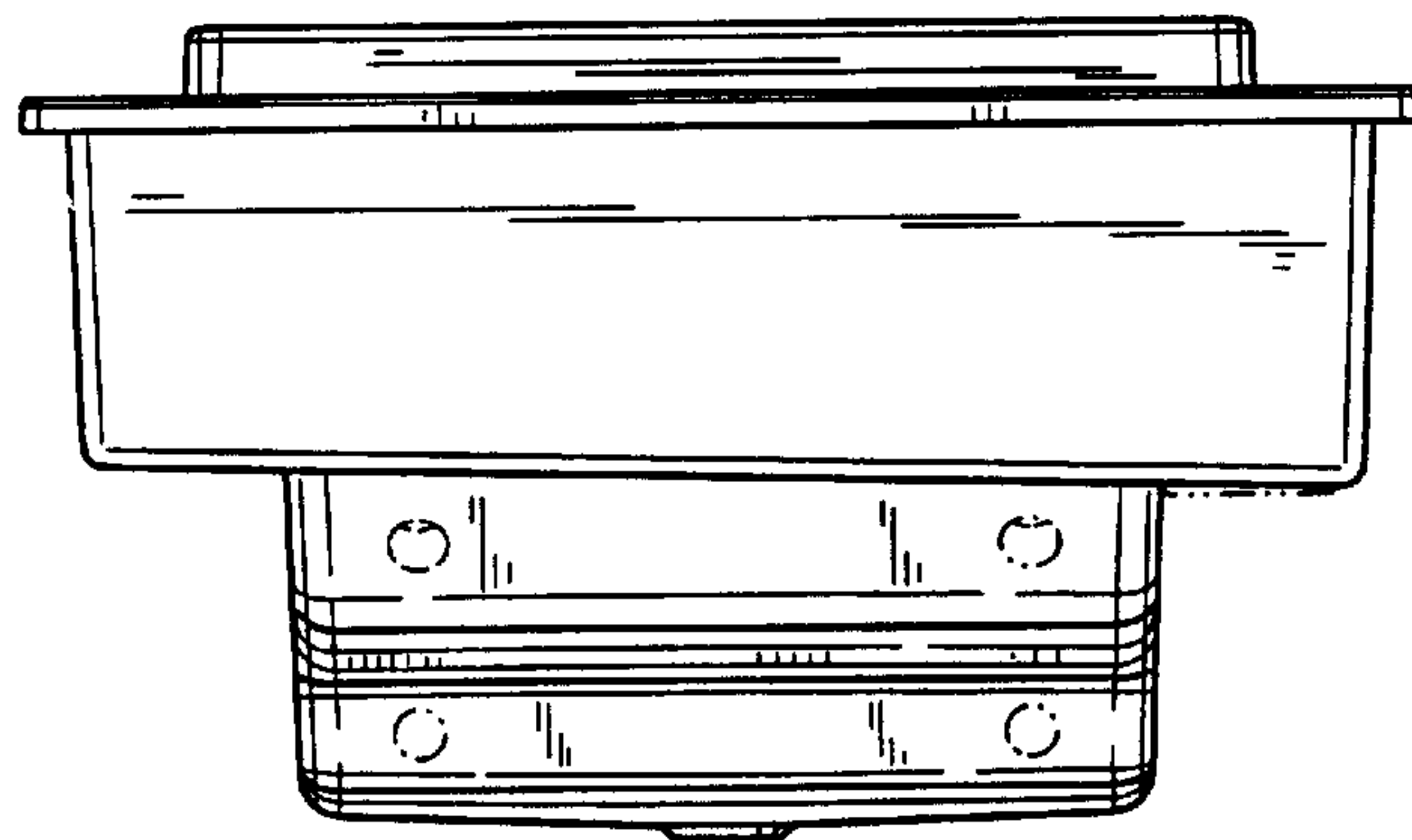


FIG. 6

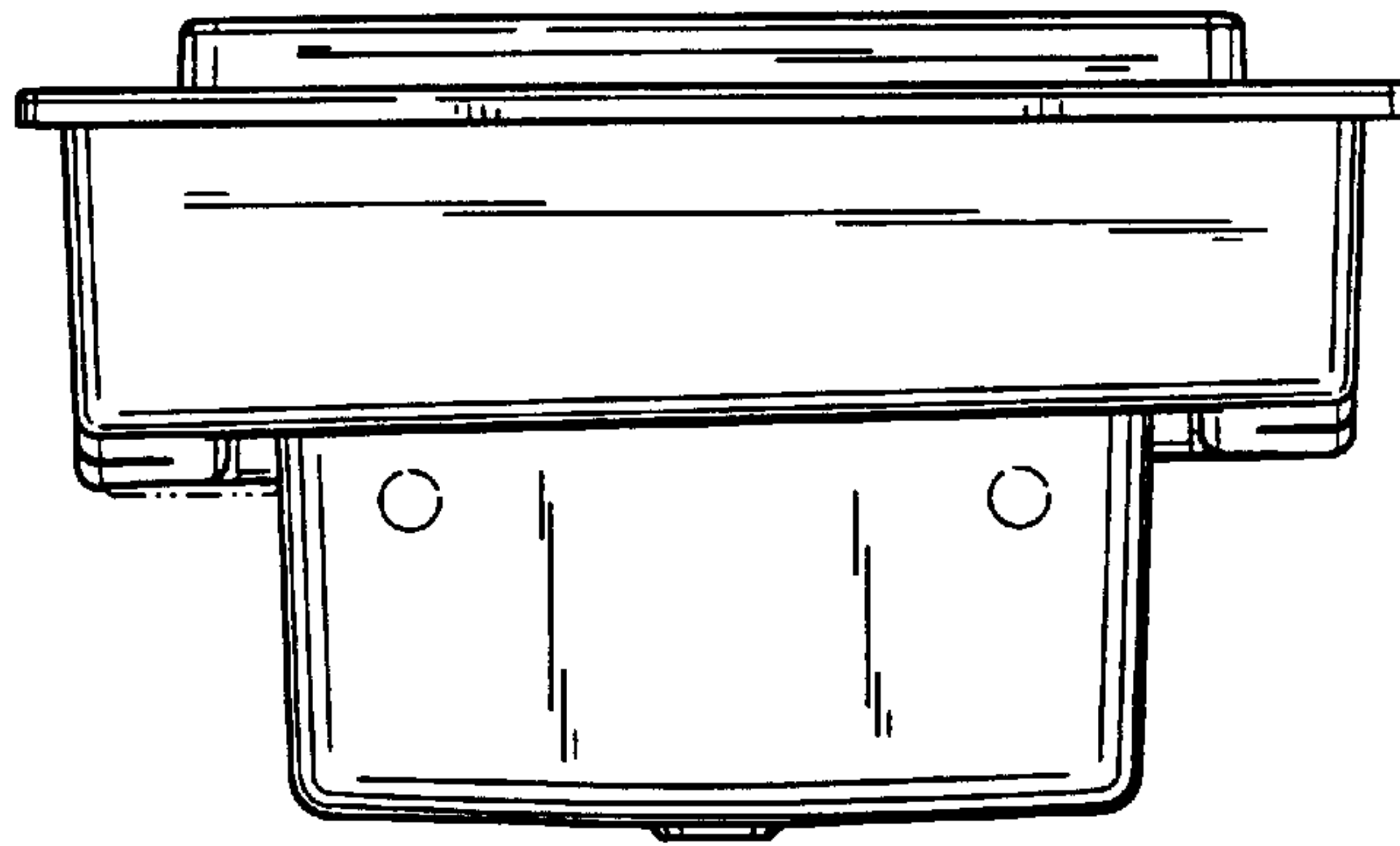


FIG. 7

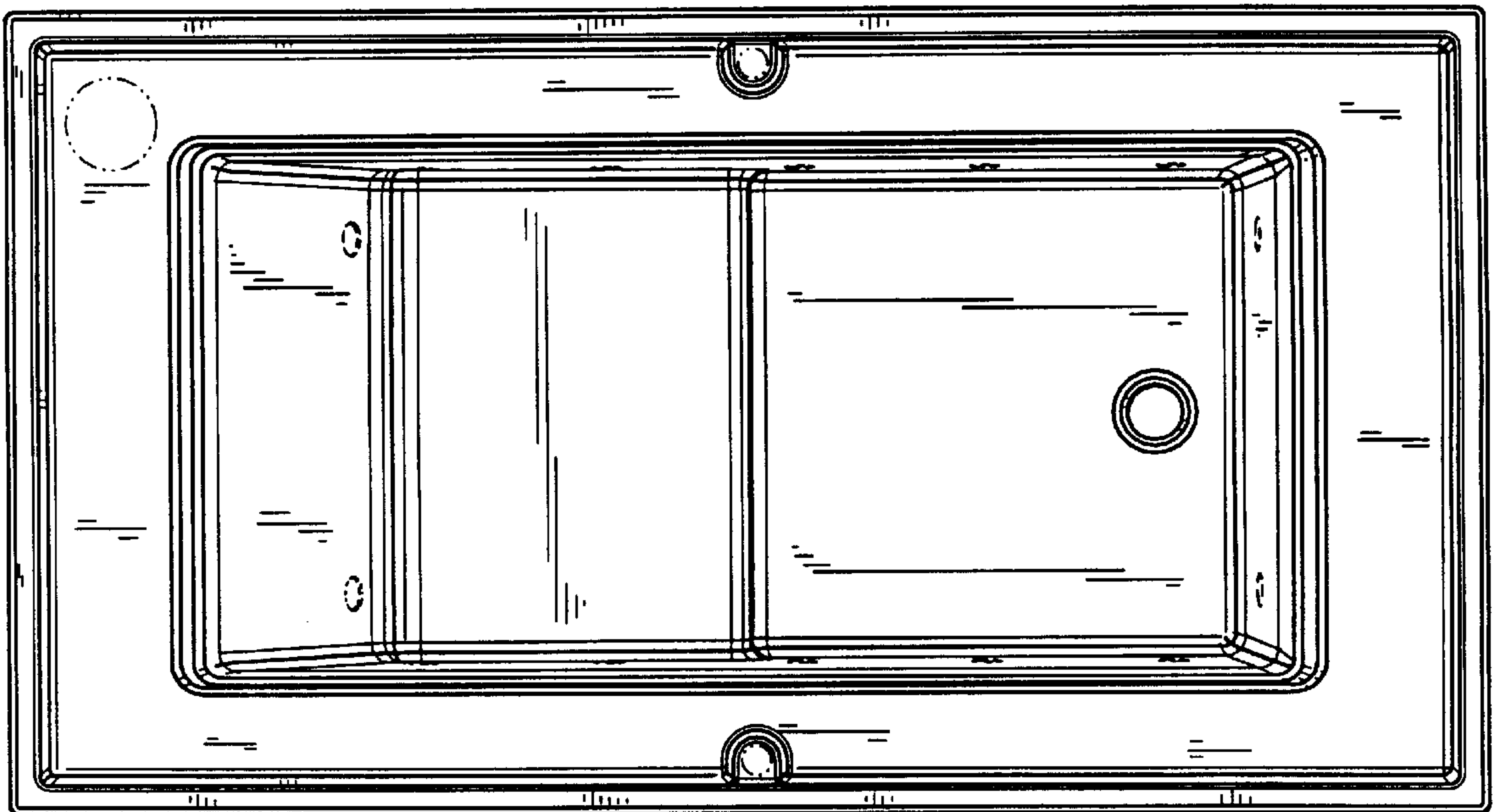


FIG. 8

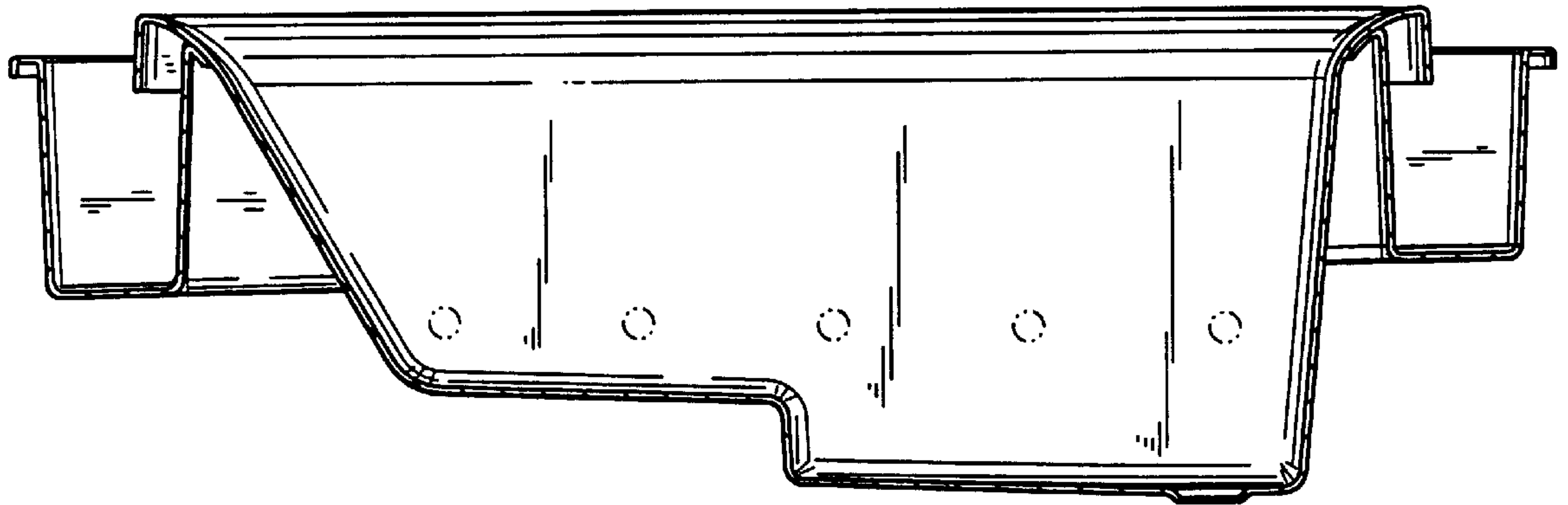


FIG. 9

