



US00D446566B1

(12) **United States Design Patent** (10) **Patent No.:** **US D446,566 S**
McCabe et al. (45) **Date of Patent:** **** Aug. 14, 2001**

(54) **BACK PORTION OF A GOLF CLUB HEAD**

(75) Inventors: **Terrill R. McCabe; Stephen S. Murphy; Eddie G. Perez**, all of Carlsbad, CA (US)

(73) Assignee: **Acushnet Company**, Fairhaven, MA (US)

(**) Term: **14 Years**

(21) Appl. No.: **29/130,629**

(22) Filed: **Oct. 6, 2000**

(51) **LOC (7) Cl.** **21-02**

(52) **U.S. Cl.** **D21/759**

(58) **Field of Search** D21/747-751, D21/753, 759; 473/324, 350, 327, 328

(56) **References Cited**

U.S. PATENT DOCUMENTS

D. 358,188	*	5/1995	Fenton	D21/749
D. 363,332	*	10/1995	Krzynowek et al.	D21/749
D. 416,968	*	11/1999	Gilbert et al.	D21/759
D. 417,248	*	11/1999	Matsuo	D21/748
D. 435,617	*	12/2000	Gilbert	D21/759
D. 437,902	*	2/2001	Persinger	D21/748
2,846,228	*	8/1958	Reach	473/332
5,074,563	*	12/1991	Gorman	473/350

OTHER PUBLICATIONS

Picture of a golf club manufactured by Fourteen Co., Ltd. of Japan, unknown date, one page.

“Golf Equipment Universal Catalogue”, 1991; cover page, p. 315 with Bandit RS club head, p. 416 with Diplomat II club head, and p. 542 with Calculus club head.

“Golf Equipment Universal Catalogue”, 1997; cover page, and p. 670.

“Golf Equipment Universal Catalogue”, 1998; cover page, pp. 61, 142, 183, 302, 372, and 657.

“Golf Equipment Universal Catalogue”, 2000; cover page, pp. 354, 395 and 580.

* cited by examiner

Primary Examiner—Mitchell Siegel

(74) *Attorney, Agent, or Firm*—Pennie & Edmonds LLP

(57) **CLAIM**

The ornamental design for a back portion of a golf club head, as shown and described.

DESCRIPTION

FIG. 1 is a rear, perspective view from the toe of the back portion of a golf club head of the present invention;

FIG. 2 is a rear, elevational, perspective view thereof;

FIG. 3 is a heel view thereof;

FIG. 4 is a bottom view thereof;

FIG. 5 is a bottom, perspective view from the heel thereof;

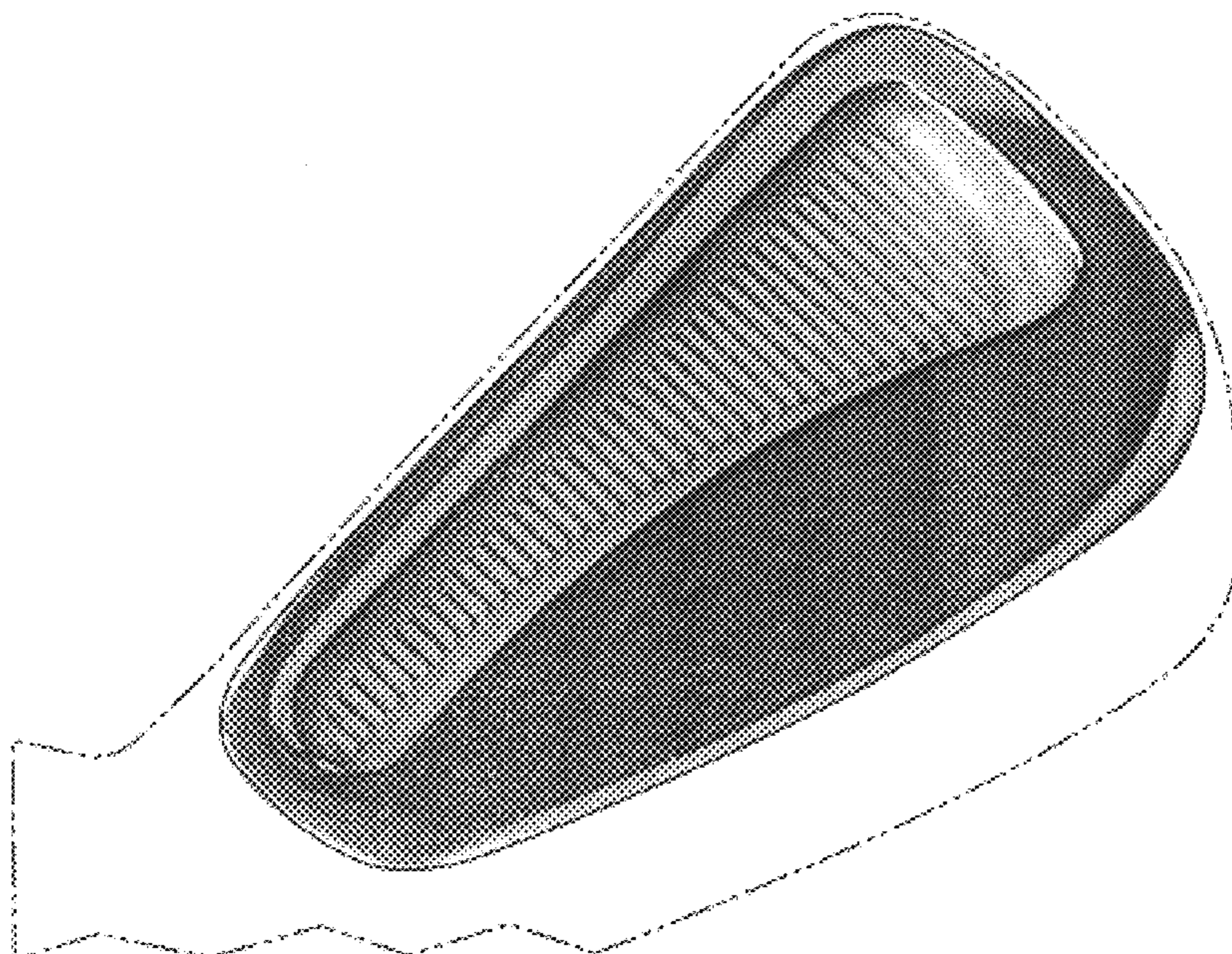
FIG. 6 is a bottom, perspective view from the toe thereof;

FIG. 7 is a rear, perspective view from the heel thereof; and,

FIG. 8 is an enlarged, partial, bottom, perspective view from the heel thereof.

The broken line showing portions of the golf club head in FIGS. 1-8 are for illustrative purposes only and form no part of the claimed design.

1 Claim, 5 Drawing Sheets



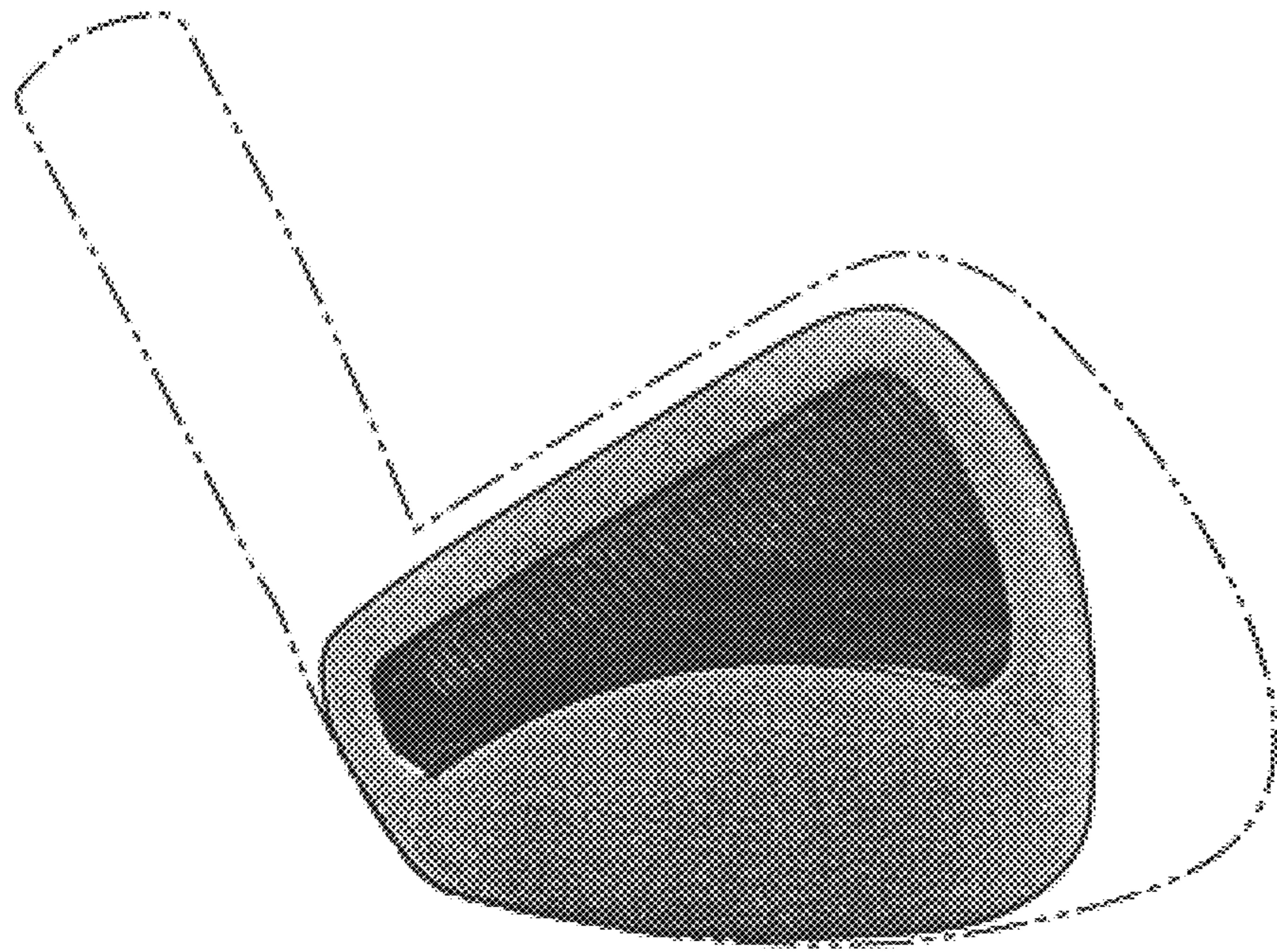


Fig. 1

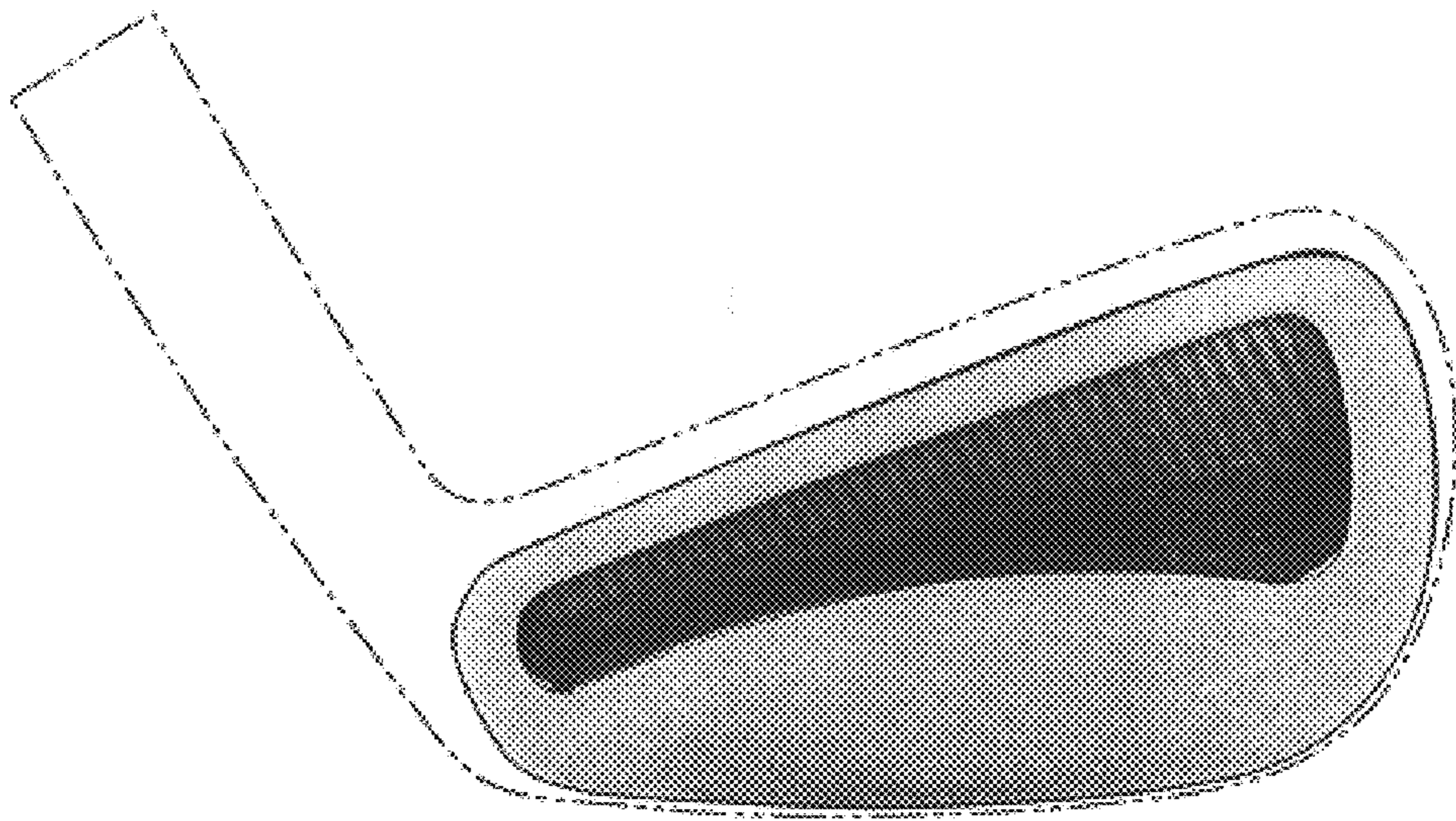


Fig. 2

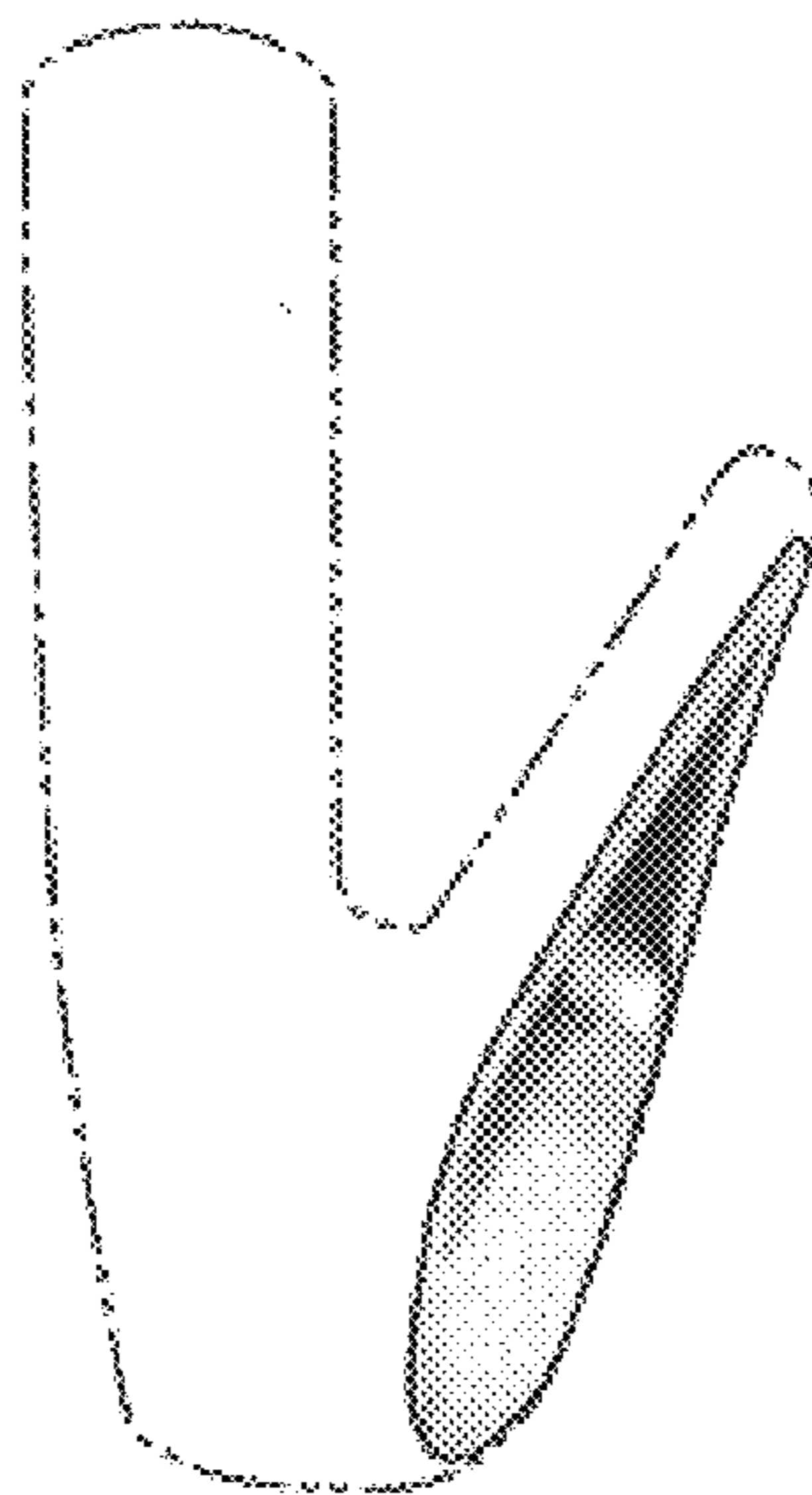


Fig. 3

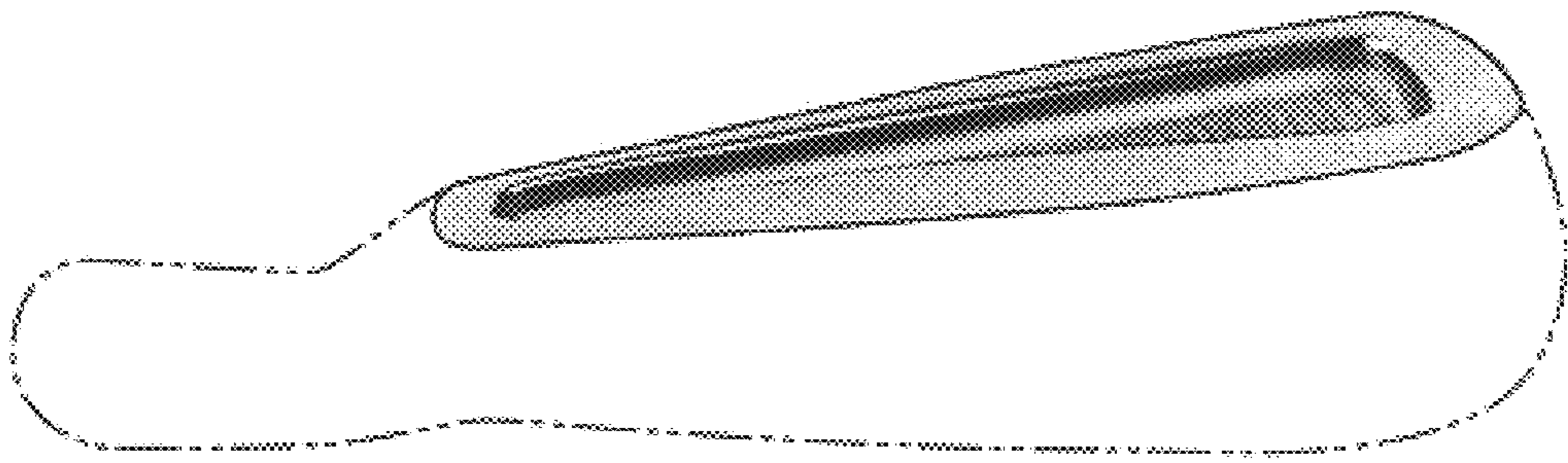


Fig. 4

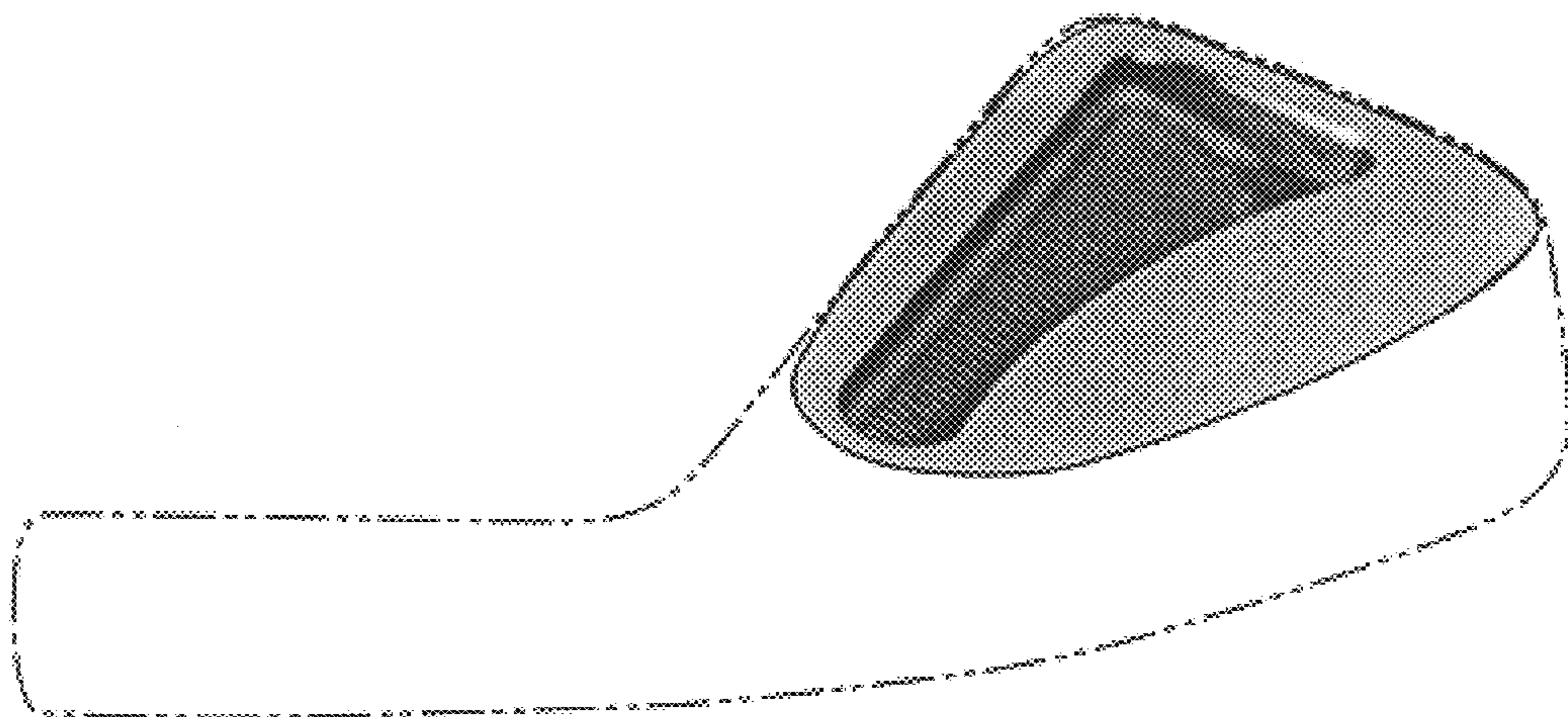


Fig. 5

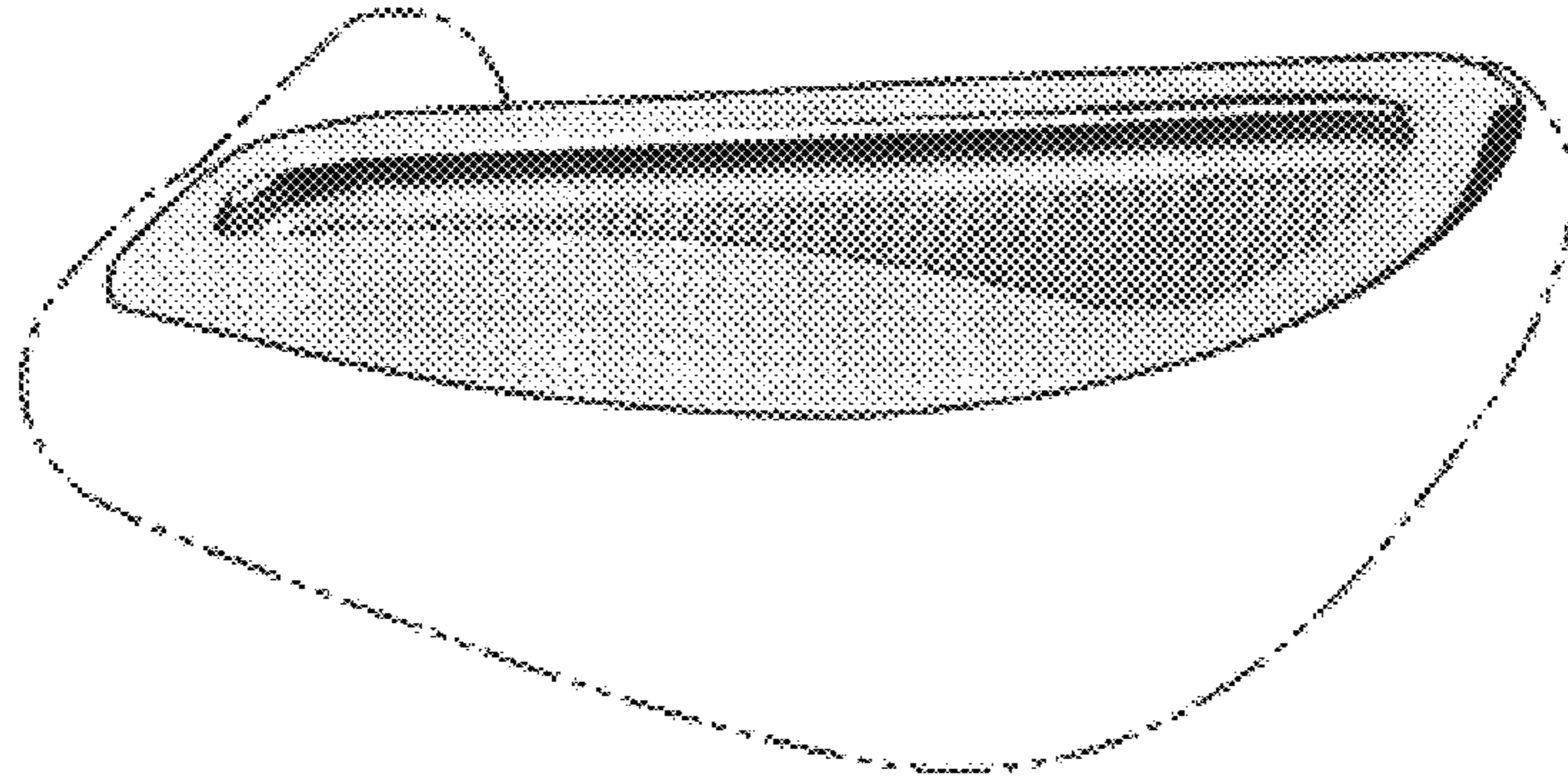


Fig. 6

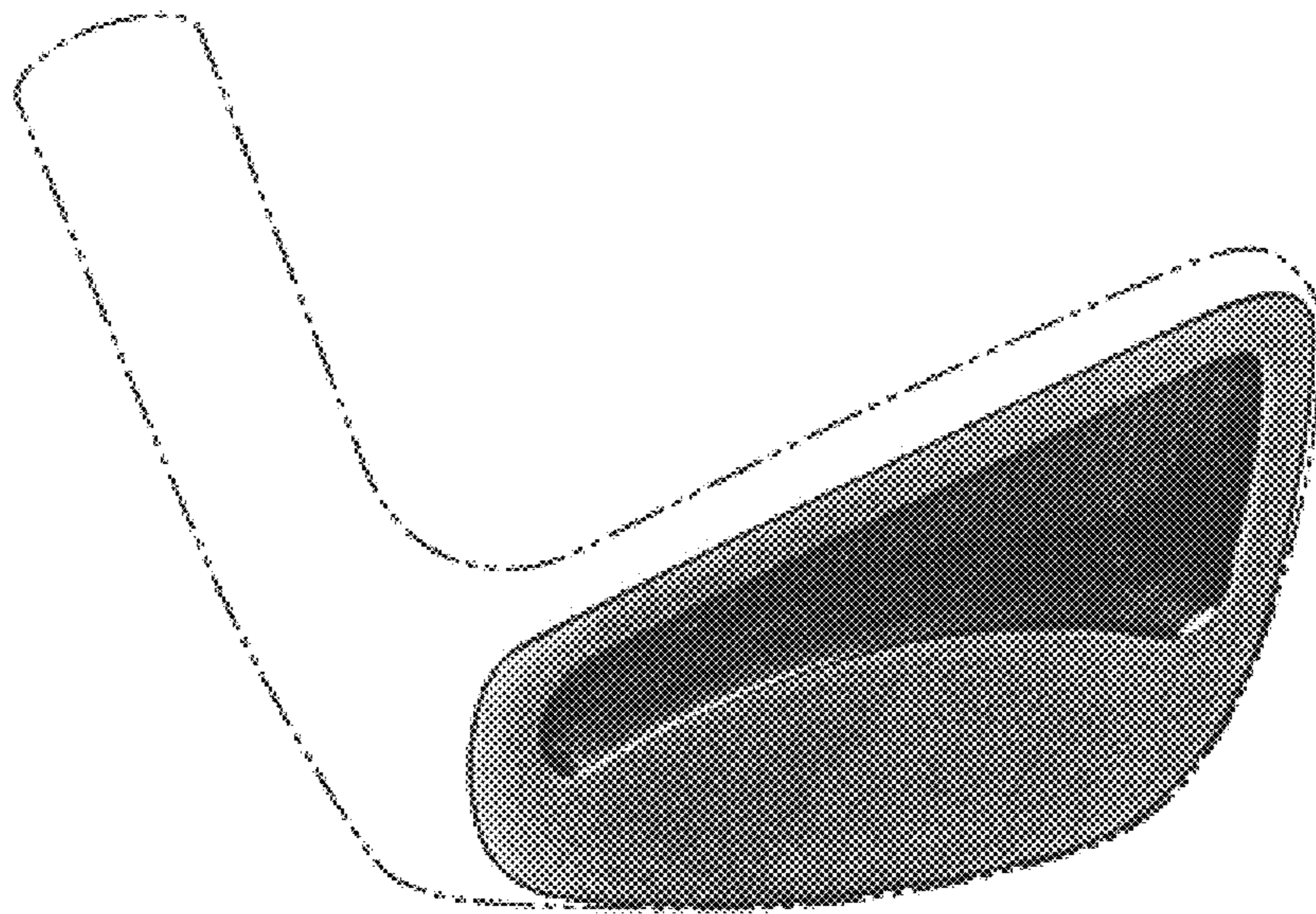


Fig. 7

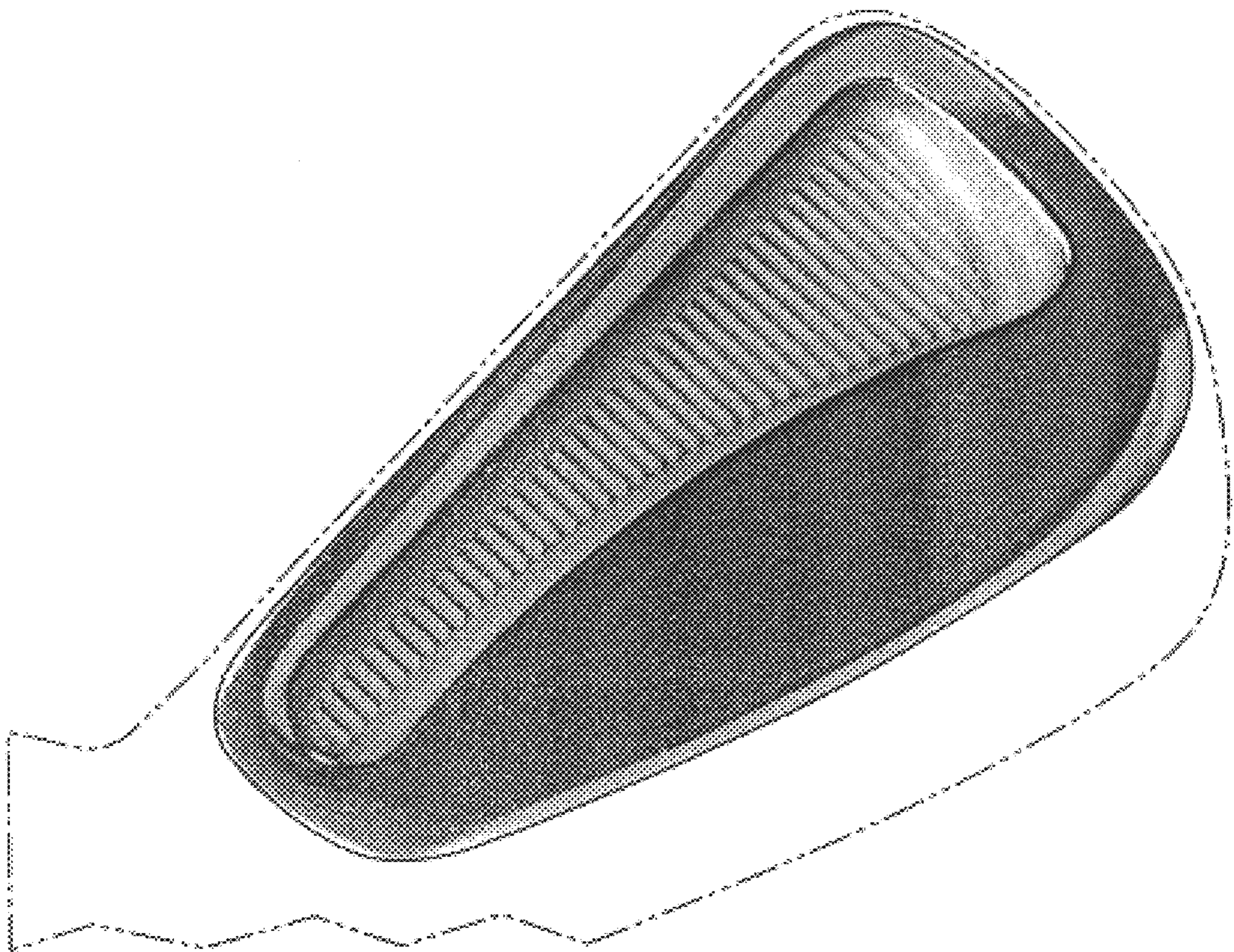


Fig. 8