



US00D446565B1

(12) **United States Design Patent**
Davis

(10) **Patent No.:** **US D446,565 S**

(45) **Date of Patent:** **** Aug. 14, 2001**

(54) **CURVED HANDLE PENDULUM PUTTER**

5,672,117 9/1997 Dar 473/232
5,746,662 5/1998 Squire 473/206

(76) Inventor: **Wayne Davis**, 130 - 37th St. NW.,
Auburn, WA (US) 98001

* cited by examiner

(**) Term: **14 Years**

Primary Examiner—Mitchell Siegel
(74) *Attorney, Agent, or Firm*—Dean A. Craine

(21) Appl. No.: **29/126,998**

(57) **CLAIM**

(22) Filed: **Jul. 28, 2000**

The ornamental design for a curved handle pendulum putter,
as shown and described.

(51) **LOC (7) Cl.** **21-02**

DESCRIPTION

(52) **U.S. Cl.** **D21/757; D21/736**

(58) **Field of Search** D21/736-746,
D21/756, 757; 473/327-328, 340, 341,
251-256, 316-323

FIG. 1 is a perspective view of the curved handle pendulum
putter.

(56) **References Cited**

U.S. PATENT DOCUMENTS

D. 277,594	*	2/1985	Mundt	D21/738
D. 425,951		5/2000	Davis et al.	D21/736
5,088,738		2/1992	Mundt et al.	273/193 B
5,328,185		7/1994	Finnigan et al.	273/186
5,474,300		12/1995	Scalise et al.	273/193
5,595,385		1/1997	Jablonski	473/295

FIG. 2 is a rear plan view of the invention.

FIG. 3 is a front plan view of the invention.

FIG. 4 is a left side elevational view of the invention.

FIG. 5 is a right side elevational view of the invention.

FIG. 6 is a top plan view of the invention; and,

FIG. 7 is a bottom plan view of the invention.

The broken line showing of the putter head is for illustrative
purposes only and forms no part of the claimed design.

1 Claim, 2 Drawing Sheets

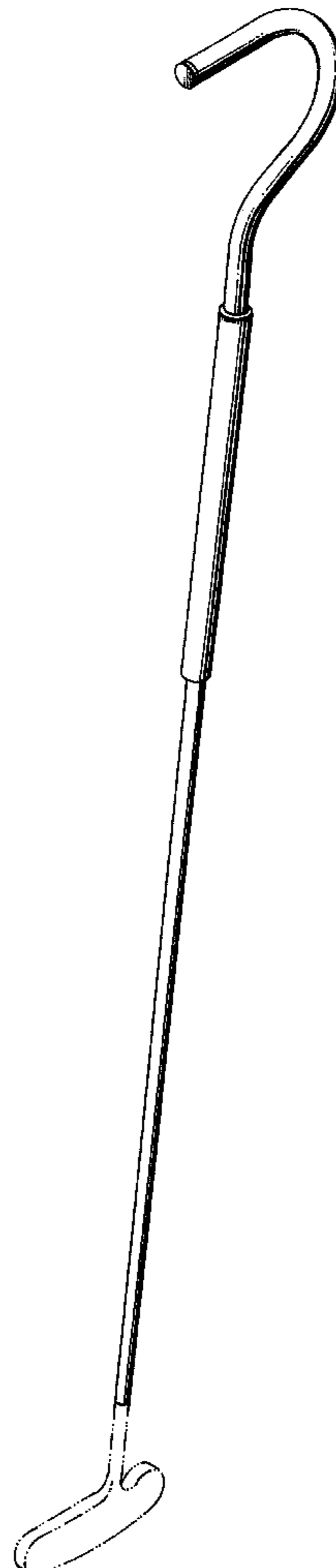




FIG. 3



FIG. 2

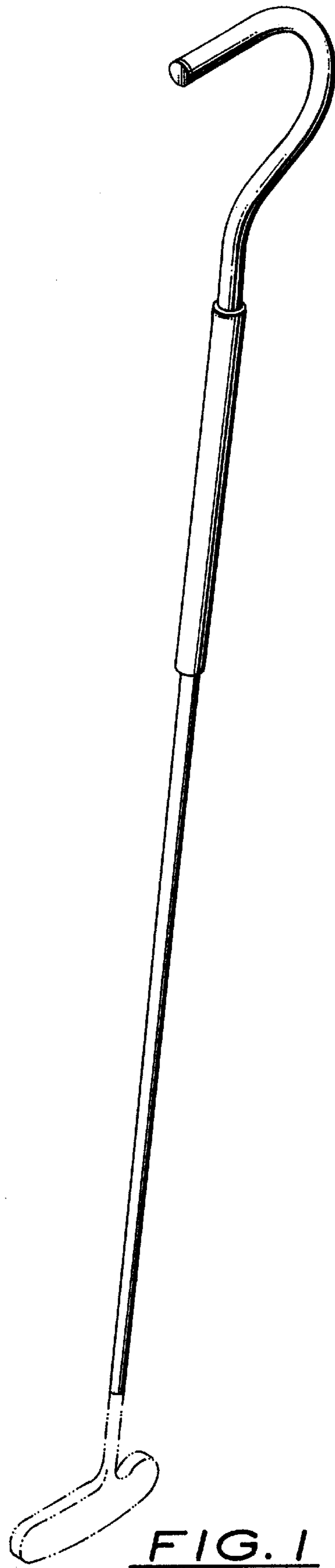


FIG. 1

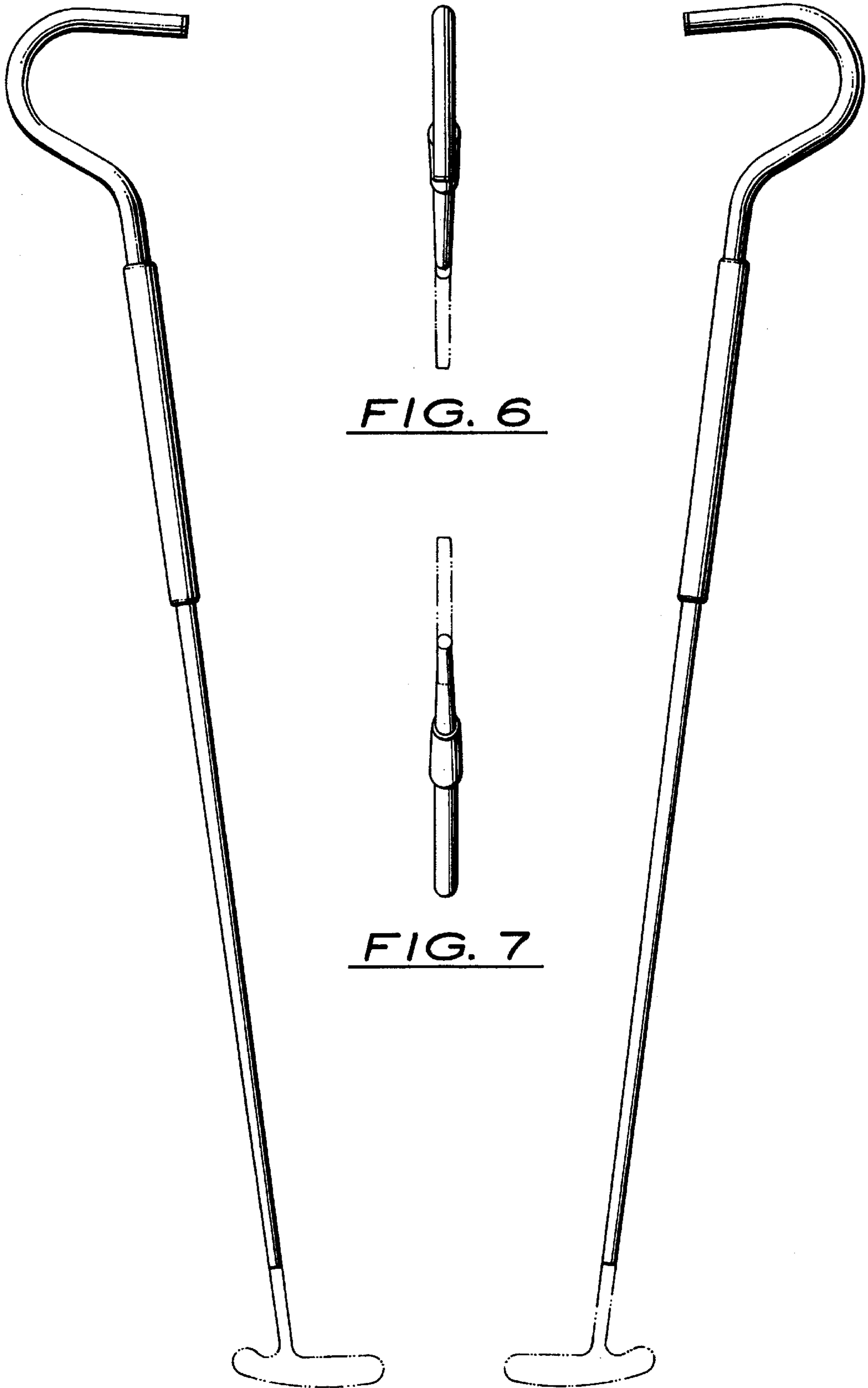


FIG. 6

FIG. 7

FIG. 4

FIG. 5