



US00D446560B1

(12) **United States Design Patent**
Ceppo

(10) **Patent No.:** **US D446,560 S**

(45) **Date of Patent:** **** Aug. 14, 2001**

(54) **SAFETY SPOTTER BOX FOR BARBELLS**

4,368,884 * 1/1983 Colvin 482/104

(76) Inventor: **Louis Ceppo**, 204 Colonial Dr.,
Boynton Beach, FL (US) 33435

* cited by examiner

(**) Term: **14 Years**

Primary Examiner—Philip S. Hyder

(74) *Attorney, Agent, or Firm*—McHale & Slavin

(21) Appl. No.: **29/104,275**

(57) **CLAIM**

(22) Filed: **Apr. 30, 1999**

The ornamental design for a safety spotter box for barbells,
as shown and described.

(51) **LOC (7) Cl.** **21-02**

DESCRIPTION

(52) **U.S. Cl.** **D21/686; D21/662**

(58) **Field of Search** D21/686, 691,
D21/662; 482/104, 106, 92; D6/396, 400

FIG. 1 is a perspective view of the safety spotter box for barbells;

FIG. 2 is a rear elevation view thereof;

FIG. 3 is a left side elevation view thereof;

FIG. 4 is a right side elevation view thereof;

FIG. 5 is a front elevation view thereof;

FIG. 6 is a top plan view thereof; and,

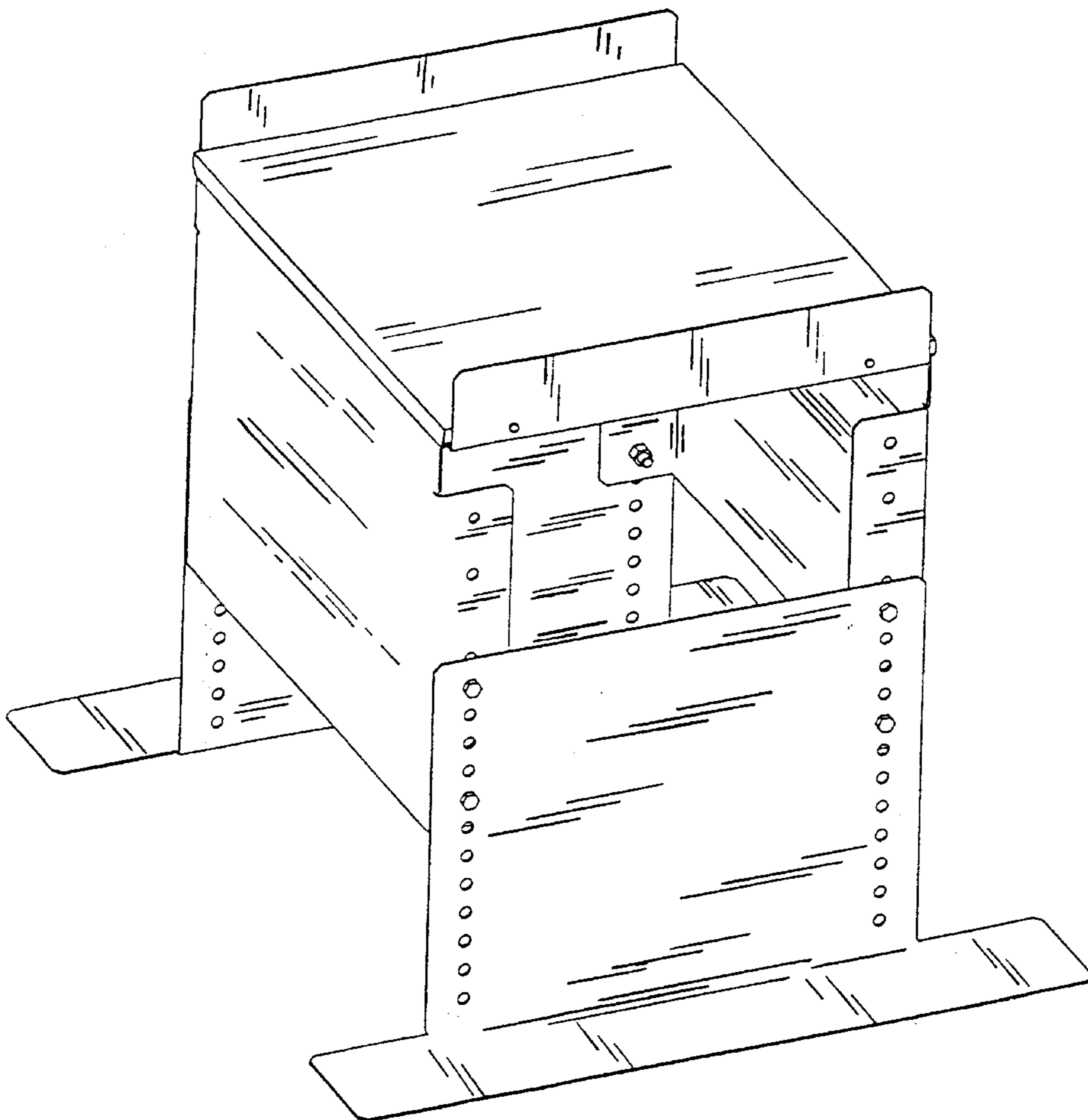
FIG. 7 is a bottom plan view thereof.

(56) **References Cited**

U.S. PATENT DOCUMENTS

- D. 316,440 * 4/1991 Ekern D21/691
- D. 317,031 * 5/1991 Ceppo D21/691
- D. 381,715 * 7/1997 Reeder D21/691
- D. 384,221 * 9/1997 Roeder D6/396
- 4,205,838 * 6/1980 McIntosh 482/104

1 Claim, 7 Drawing Sheets



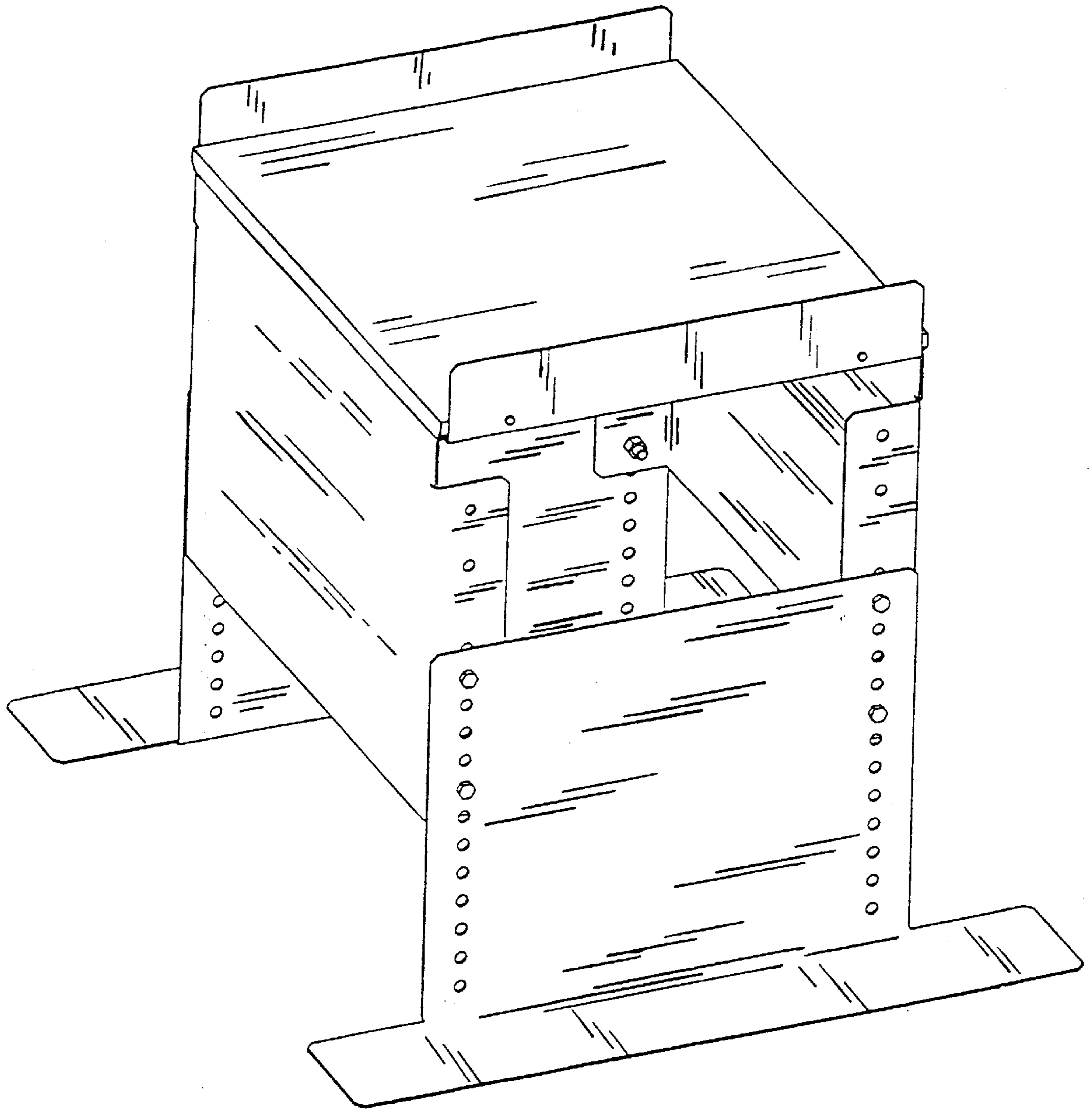


FIG 1

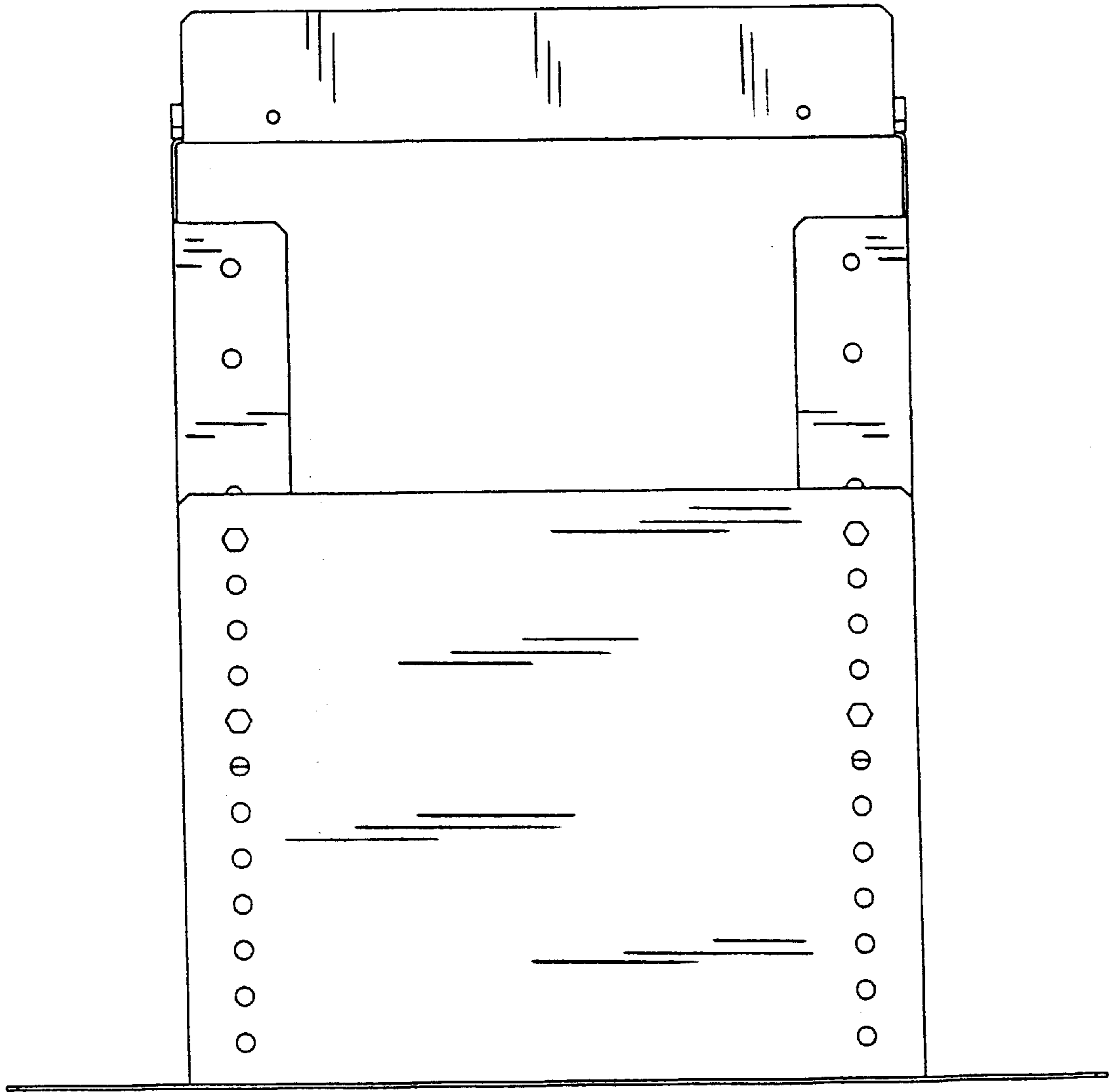


FIG 2

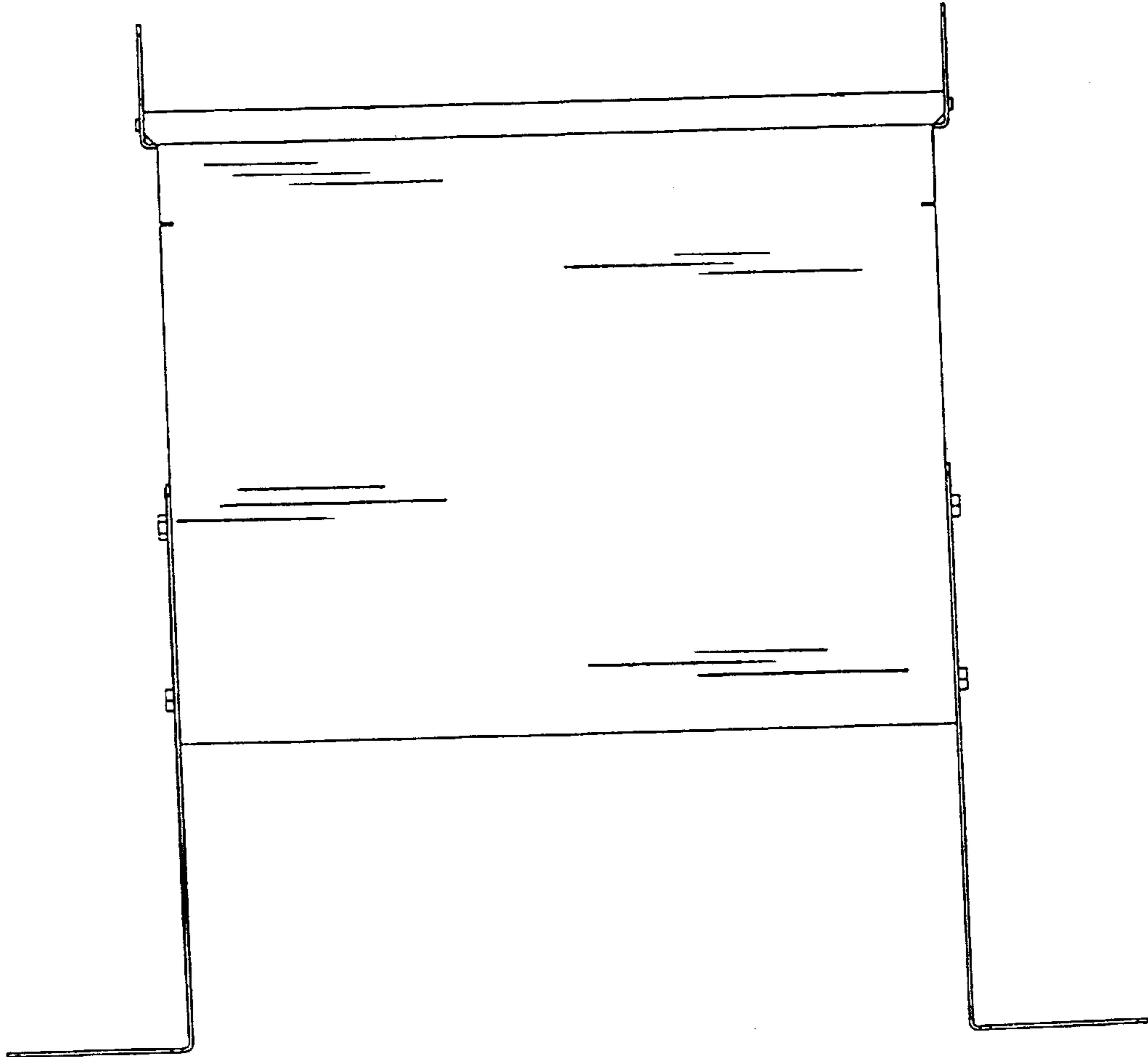


FIG 3

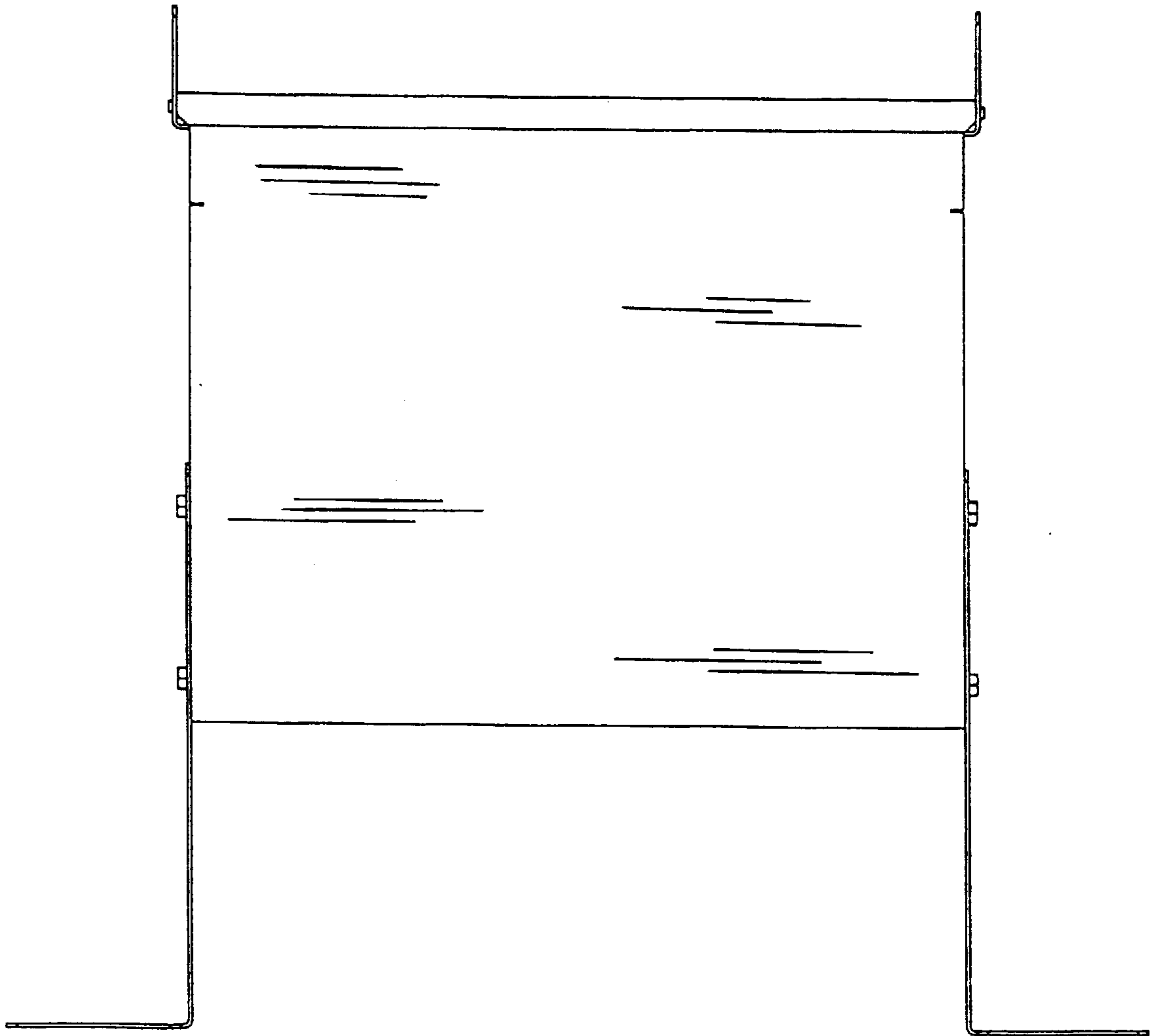


FIG 4

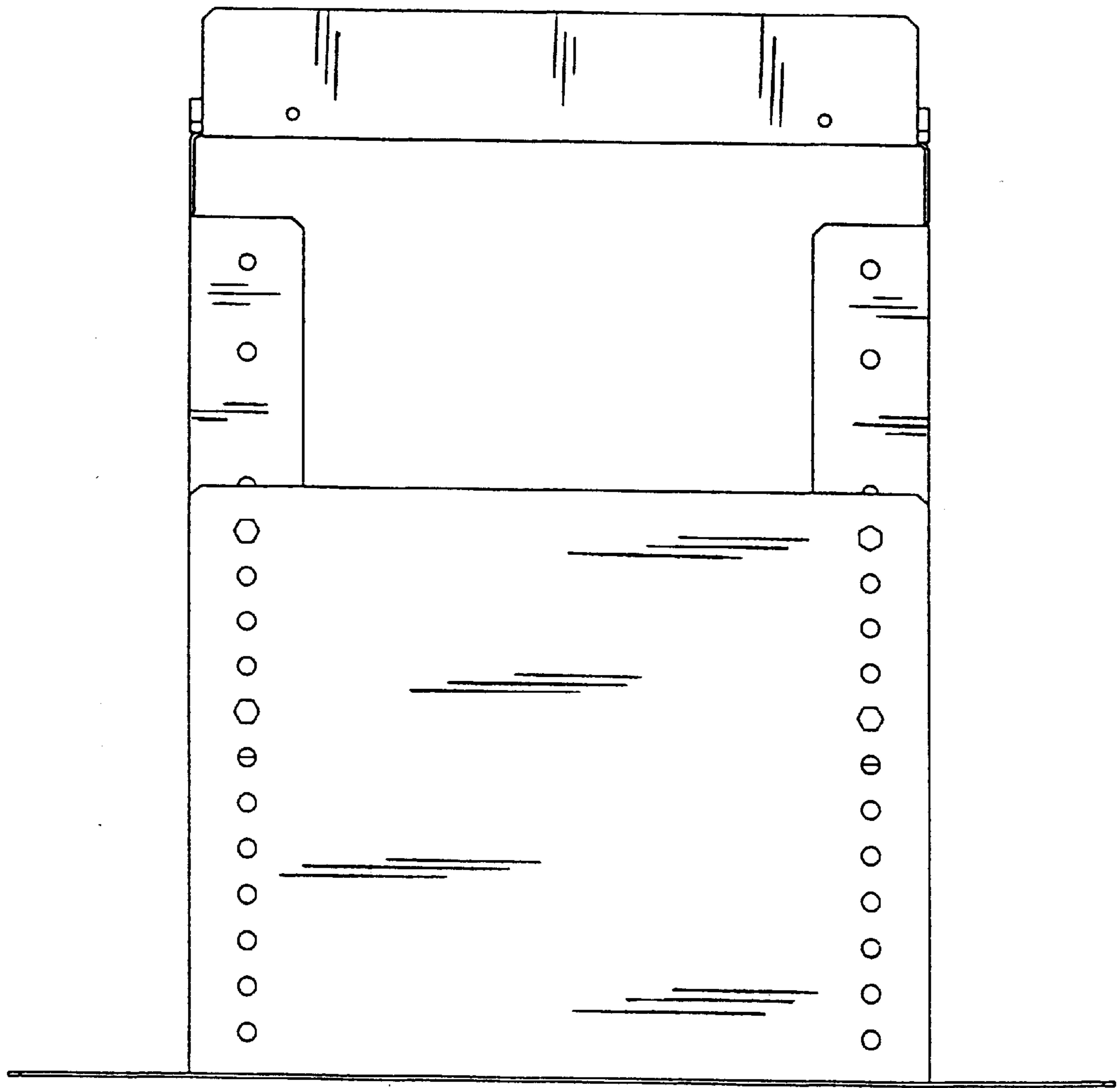


FIG 5

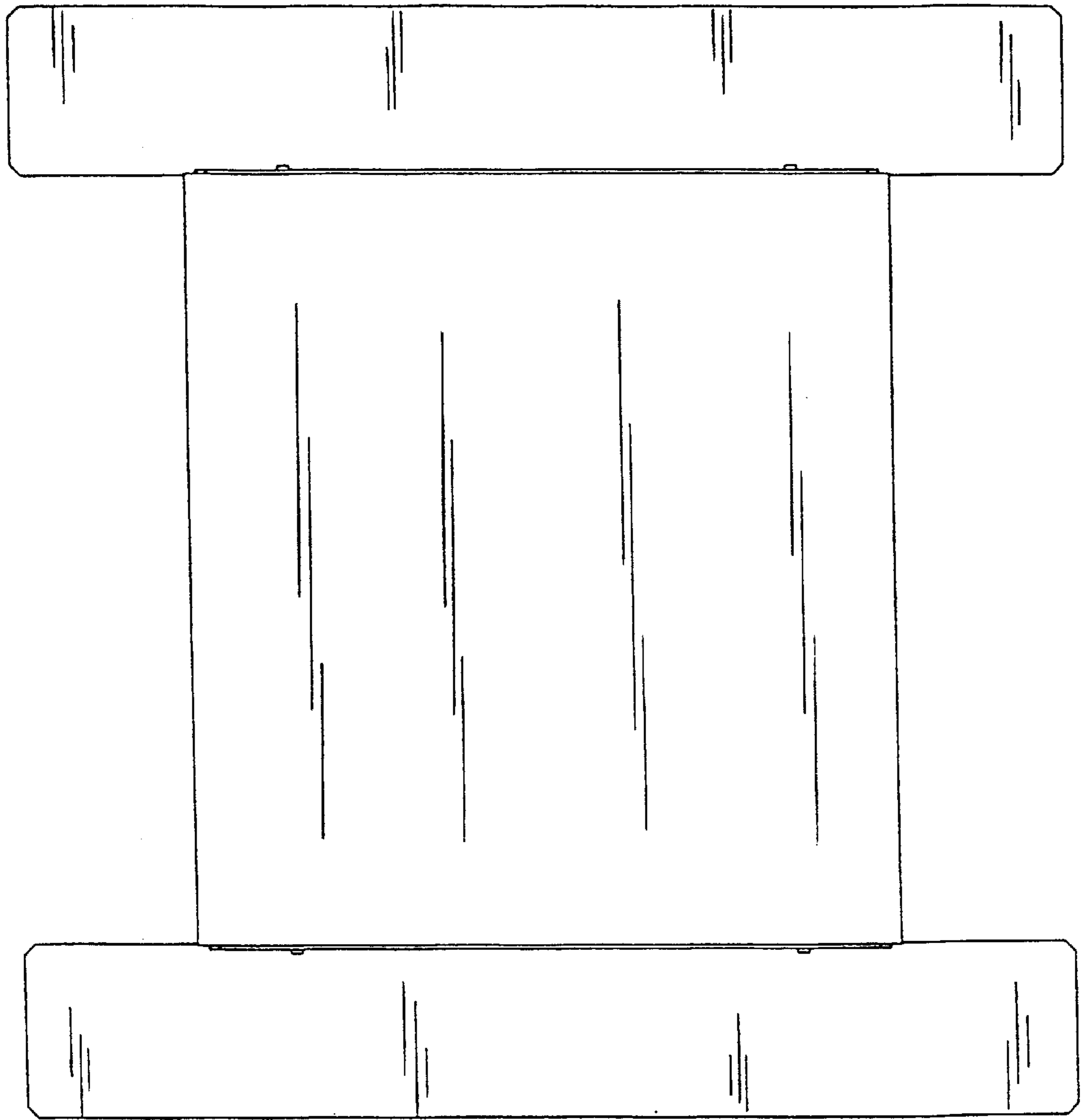


FIG 6

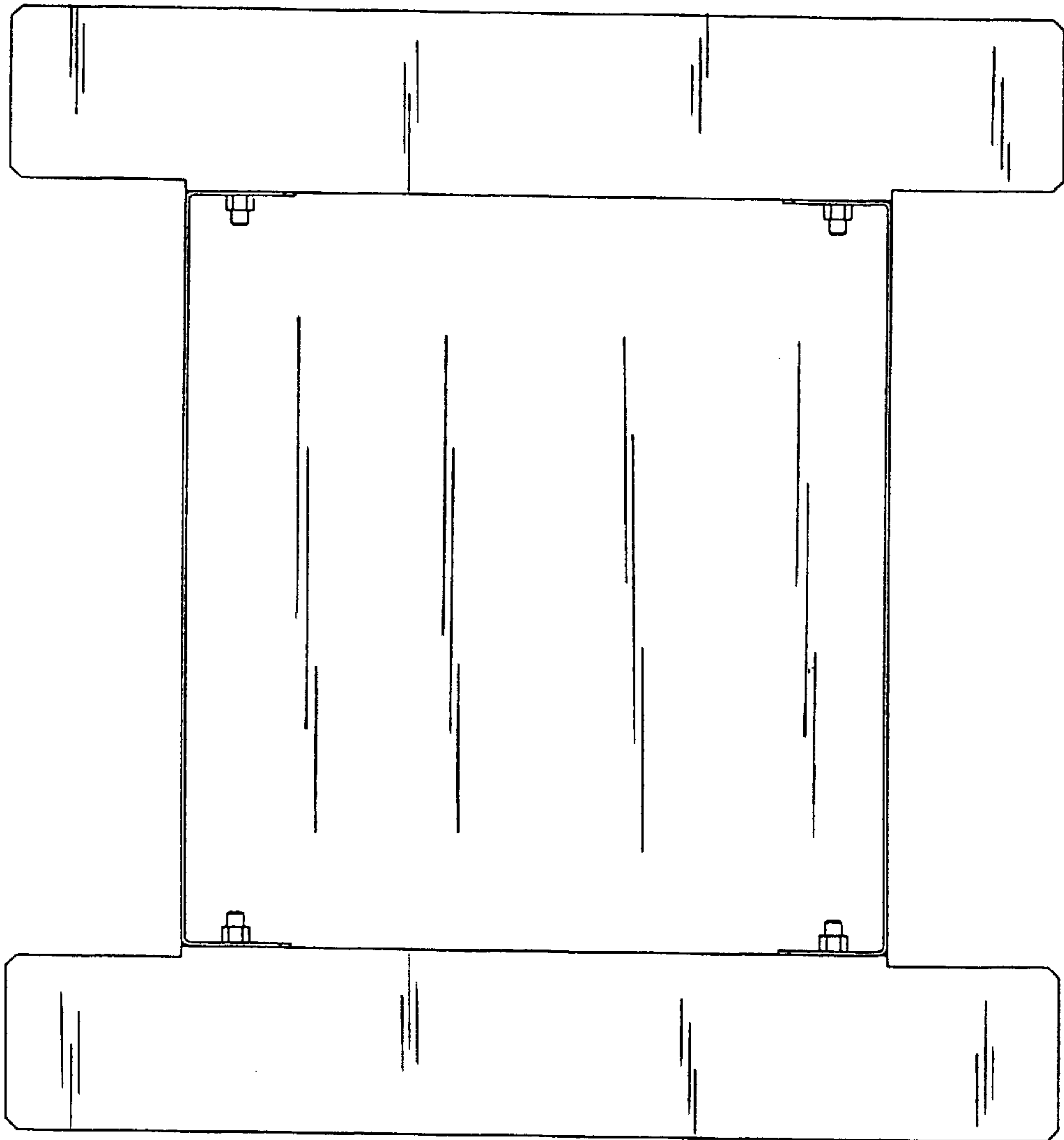


FIG 7