



US00D446559B1

(12) **United States Design Patent**  
**Lincir**

(10) **Patent No.:** **US D446,559 S**

(45) **Date of Patent:** **\*\* Aug. 14, 2001**

(54) **BARBELL PLATE**

(76) Inventor: **Tom I. Lincir**, P.O. Box 1470, San Pedro, CA (US) 90733

(\*\*) Term: **14 Years**

(21) Appl. No.: **29/127,287**

(22) Filed: **Aug. 3, 2000**

**Related U.S. Application Data**

(63) Continuation-in-part of application No. 29/116,964, filed on Jan. 13, 2000.

(51) **LOC (7) Cl.** ..... **21-02**

(52) **U.S. Cl.** ..... **D21/681; D21/680**

(58) **Field of Search** ..... D21/662, 680,  
D21/681, 682, 683, 684; 482/105, 106,  
107, 108, 109

(56) **References Cited**

**U.S. PATENT DOCUMENTS**

D. 278,358 4/1985 Zwilling ..... D21/681

(List continued on next page.)

**OTHER PUBLICATIONS**

Les Fontes Sports, 1930, pp. 3,4,6 & 7, France.

(List continued on next page.)

*Primary Examiner*—Philip S. Hyder

(74) *Attorney, Agent, or Firm*—Edward A. Sokolski

(57) **CLAIM**

The ornamental design for a barbell plate, as shown and described.

**DESCRIPTION**

FIG. 1 is a front elevational view showing a first embodiment of my new design for a barbell plate;

FIG. 2 is a side elevational view of my barbell plate;

FIG. 3 is a cross sectional view of my barbell plate taken along the plane indicated by 3—3 in FIG. 1;

FIG. 4 is a front perspective view of my barbell plate;

FIG. 5 is a front elevational view showing a second embodiment of my new design for a barbell plate;

FIG. 6 is a side elevational view of my barbell plate;

FIG. 7 is a cross sectional view of my barbell plate taken along the plane indicated by 7—7 in FIG. 5;

FIG. 8 is a front perspective view of my barbell plate;

FIG. 9 is a front elevational view showing a third embodiment of my new design for a barbell plate;

FIG. 10 is a side elevational view of my barbell plate;

FIG. 11 is a cross sectional view of my barbell plate taken along the plane indicated by 11—11 in FIG. 9;

FIG. 12 is a front perspective view of my barbell plate;

FIG. 13 is a front elevational view showing a fourth embodiment of my new design for a barbell plate;

FIG. 14 is a side elevational view of my barbell plate;

FIG. 15 is a cross sectional view of my barbell plate taken along the plane indicated by 15—15 in FIG. 13;

FIG. 16 is a front perspective view of my barbell plate;

FIG. 17 is a front elevational view showing a fifth embodiment of my new design for a barbell plate;

FIG. 18 is a side elevational view of my barbell plate;

FIG. 19 is a cross sectional view of my barbell plate taken along the plane indicated by 19—19 in FIG. 17;

FIG. 20 is a front perspective view of my barbell plate;

FIG. 21 is a front elevational view showing a sixth embodiment of my new design for a barbell plate;

FIG. 22 is a side elevational view of my barbell plate;

FIG. 23 is a cross sectional view of my barbell plate taken along the plane indicated by 23—23 in FIG. 21;

FIG. 24 is a front perspective view of my barbell;

FIG. 25 is a front elevational view showing a seventh embodiment of my new design for a barbell plate;

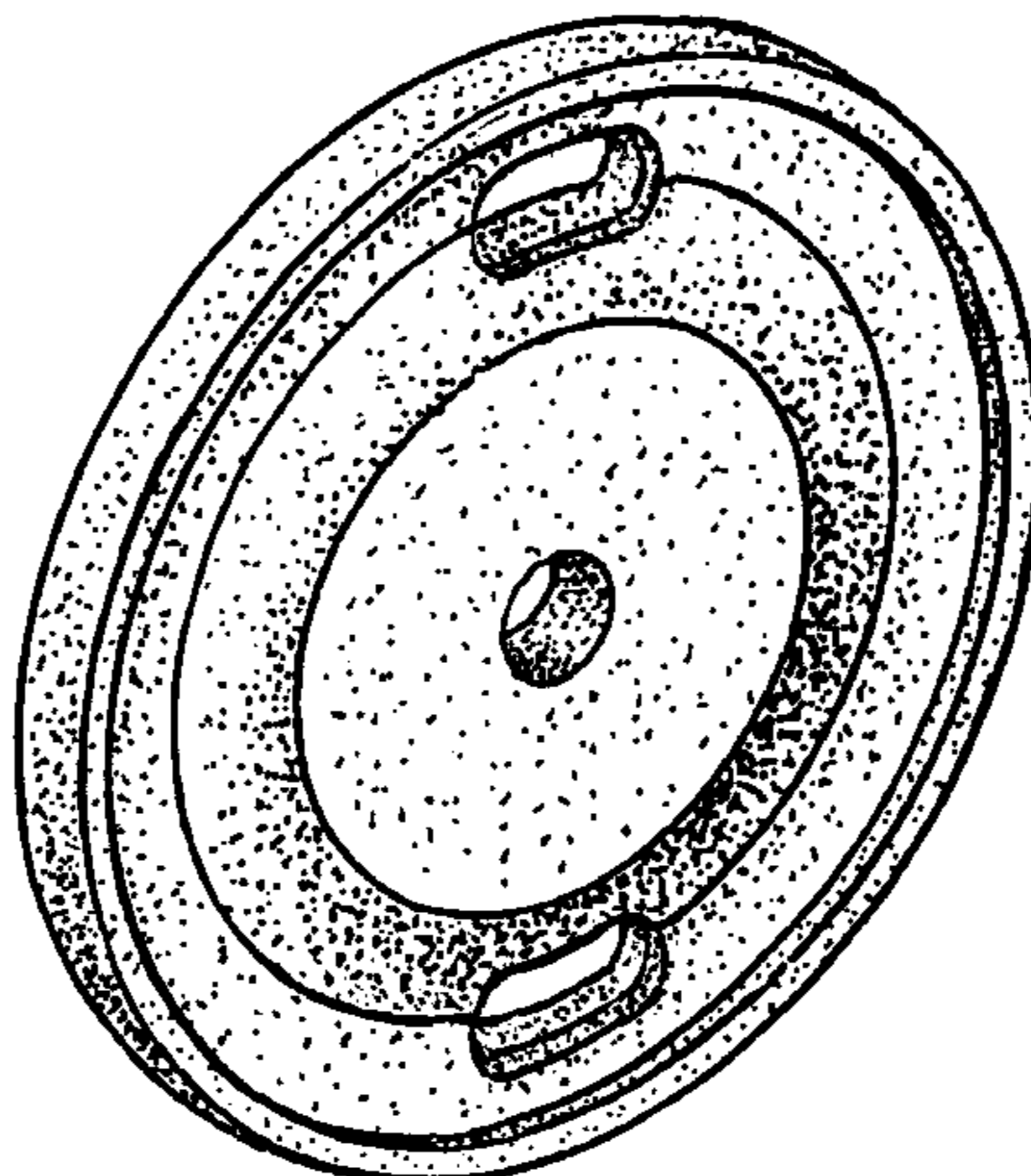
FIG. 26 is a side elevational view of my barbell plate;

FIG. 27 is a cross sectional view of my barbell plate taken along the plane indicated by 27—27 in FIG. 25; and,

FIG. 28 is a front perspective view of my barbell plate.

The opposite side of the barbell plate shown in FIG. 1,5,9, 13,17,21 & 25 is the mirror image thereof.

**1 Claim, 7 Drawing Sheets**



# US D446,559 S

Page 2

---

## U.S. PATENT DOCUMENTS

D. 354,322 1/1995 Vodhanel, Jr. .... D21/681  
D. 355,007 1/1995 Rojas et al. .... D21/681  
D. 394,685 5/1998 Eckmann ..... D21/68  
D. 406,183 2/1999 Zovich ..... D21/681  
D. 409,695 5/1999 Rojas et al. .... D21/681  
D. 421,076 2/2000 Lincir ..... D21/681  
D. 424,639 \* 5/2000 Rojas et al. .... D21/680  
D. 428,947 \* 8/2000 Harms et al. .... D21/680  
D. 432,602 \* 10/2000 Savage ..... D21/680  
D. 433,721 \* 11/2000 Rojas et al. .... D21/680  
D. 434,090 \* 11/2000 Wallace et al. .... D21/680  
1,047,212 12/1912 Hamilton .  
4,482,151 11/1984 Zwilling .

4,618,142 10/1986 Joseph, Jr. .  
5,137,502 \* 8/1992 Anastasi ..... 482/106  
5,692,996 \* 12/1997 Widerman ..... 482/93

## OTHER PUBLICATIONS

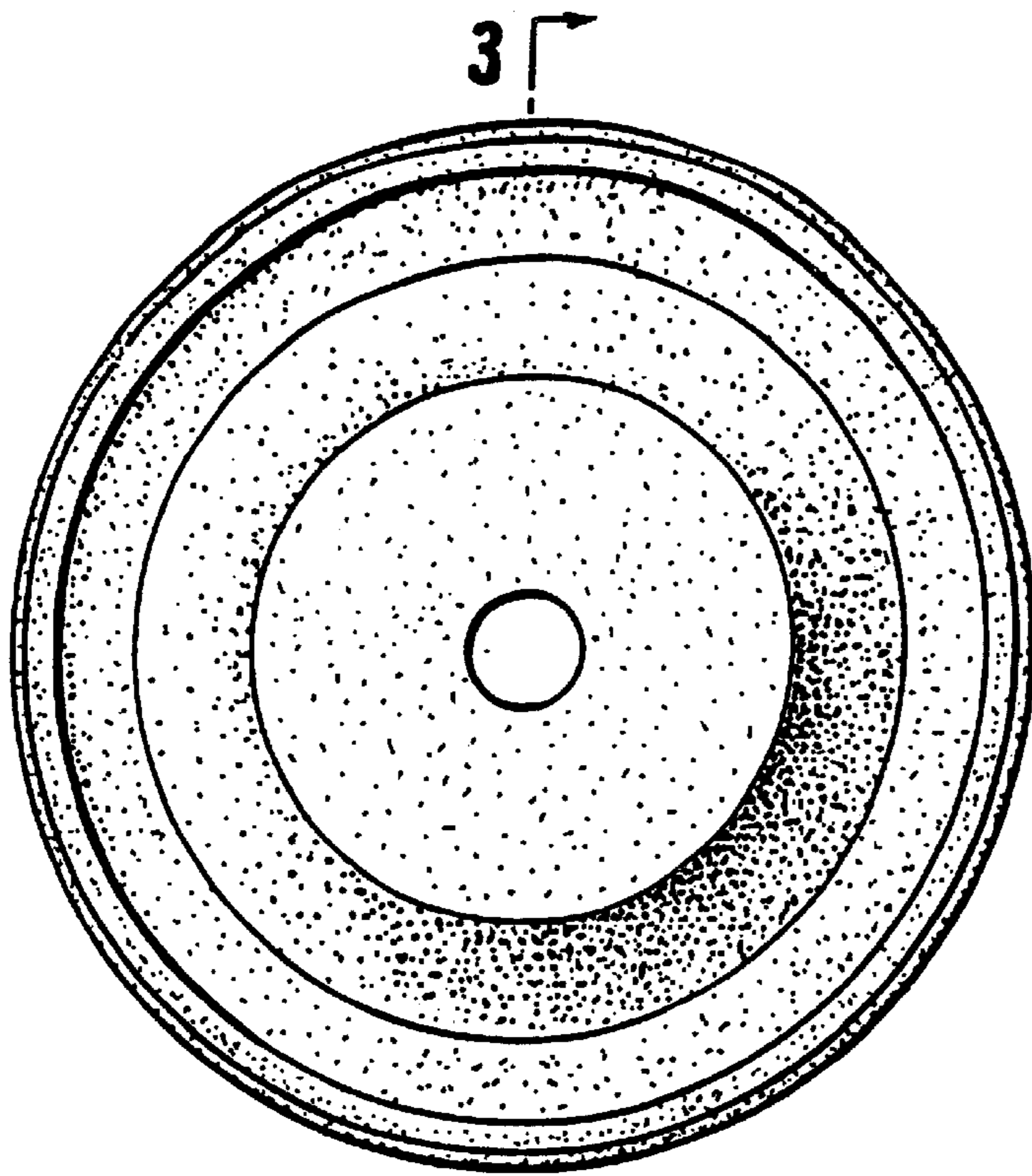
International Powerlifter, Jun./Aug. 1982, vol. 1 No. 4, p. 25  
United States.

The Powerlifter, Jan./Feb. 1986, vol. 1 No. 1, cover page  
England.

Strength Athlete, Dec. 87/Jan. 88, No. 243, back cover page  
England.

Strength Athlete, Oct./Nov. 1988, No. 248, p. 49 England.

\* cited by examiner



3  
FIG. 1



FIG. 2



FIG. 3

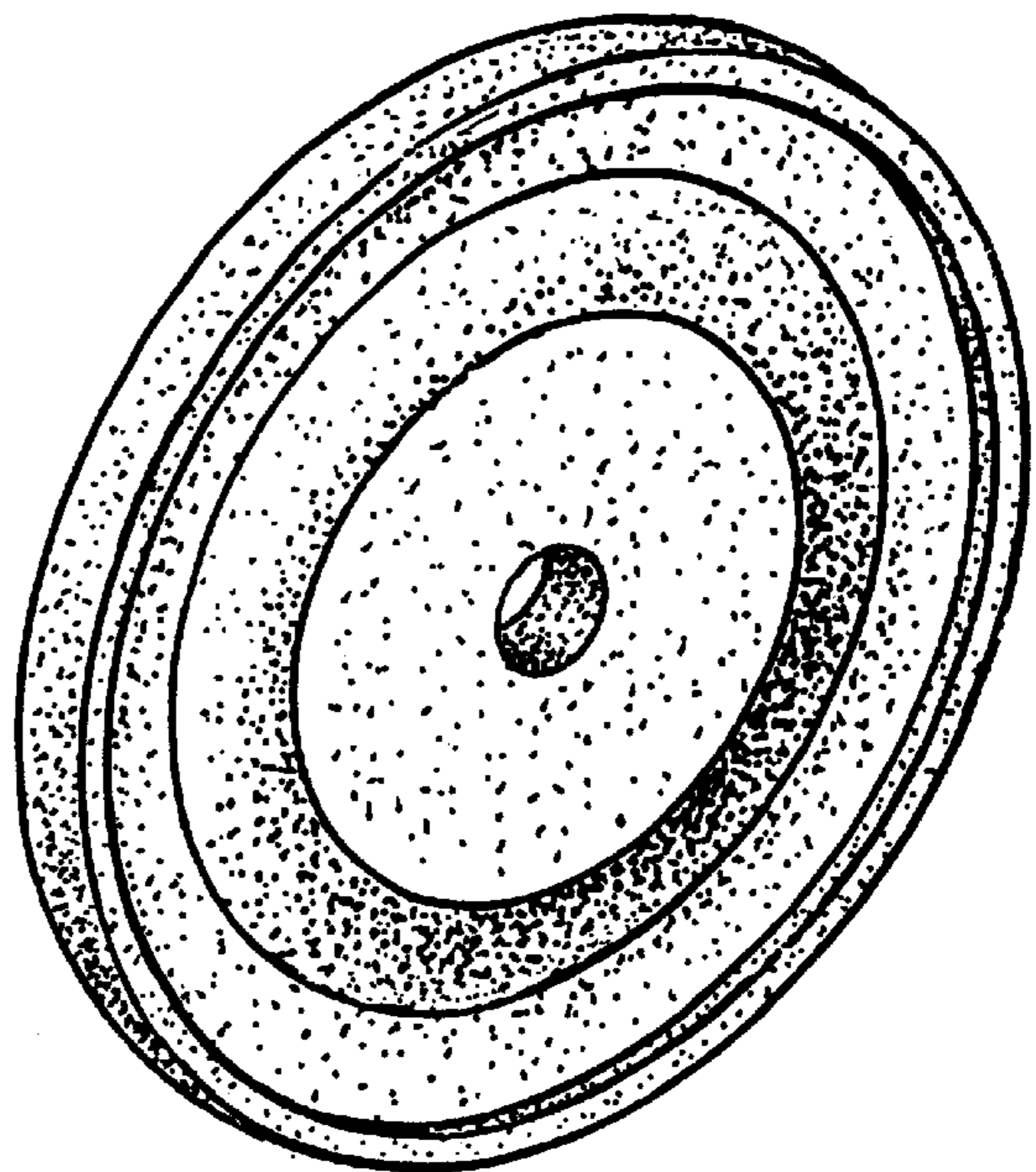


FIG. 4

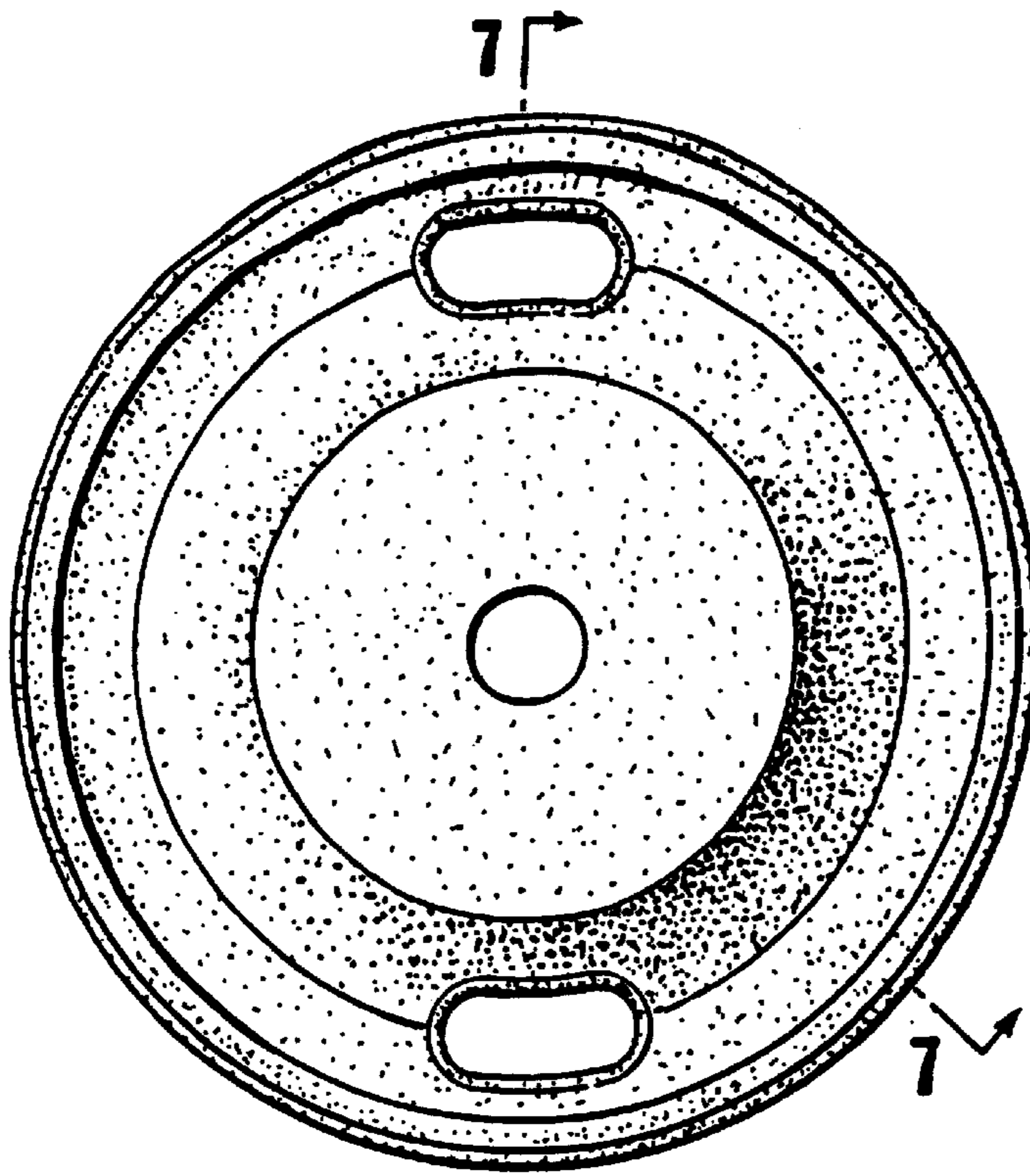


FIG. 5



FIG. 6

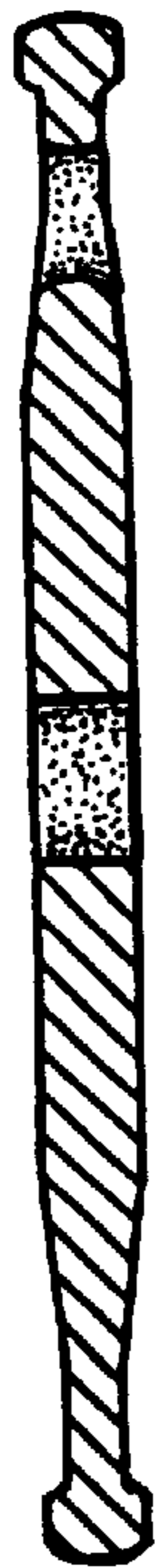


FIG. 7

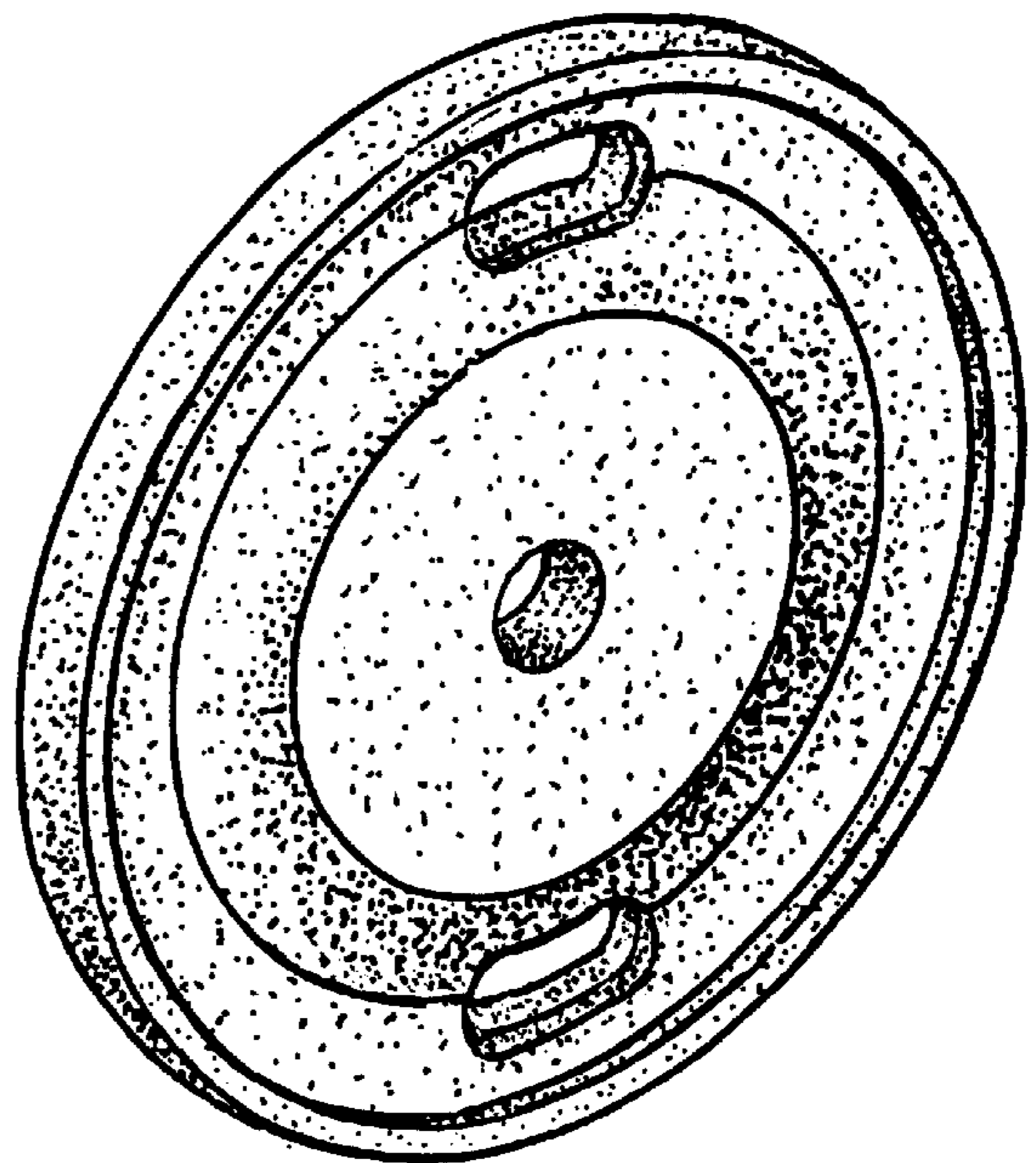
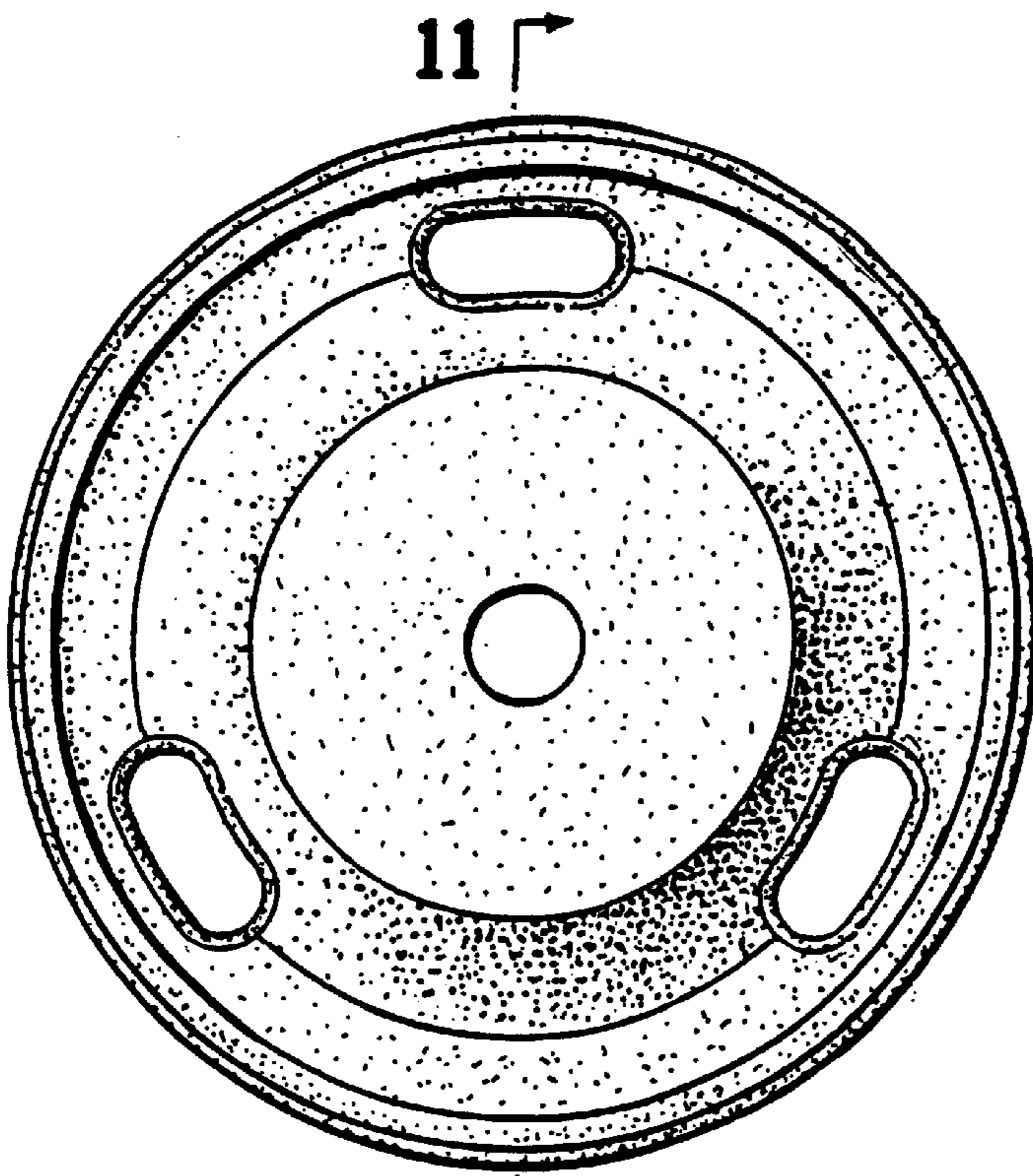


FIG. 8



11  
FIG. 9



FIG. 10

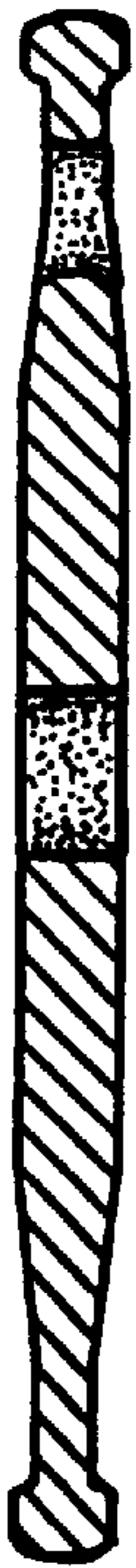


FIG. 11

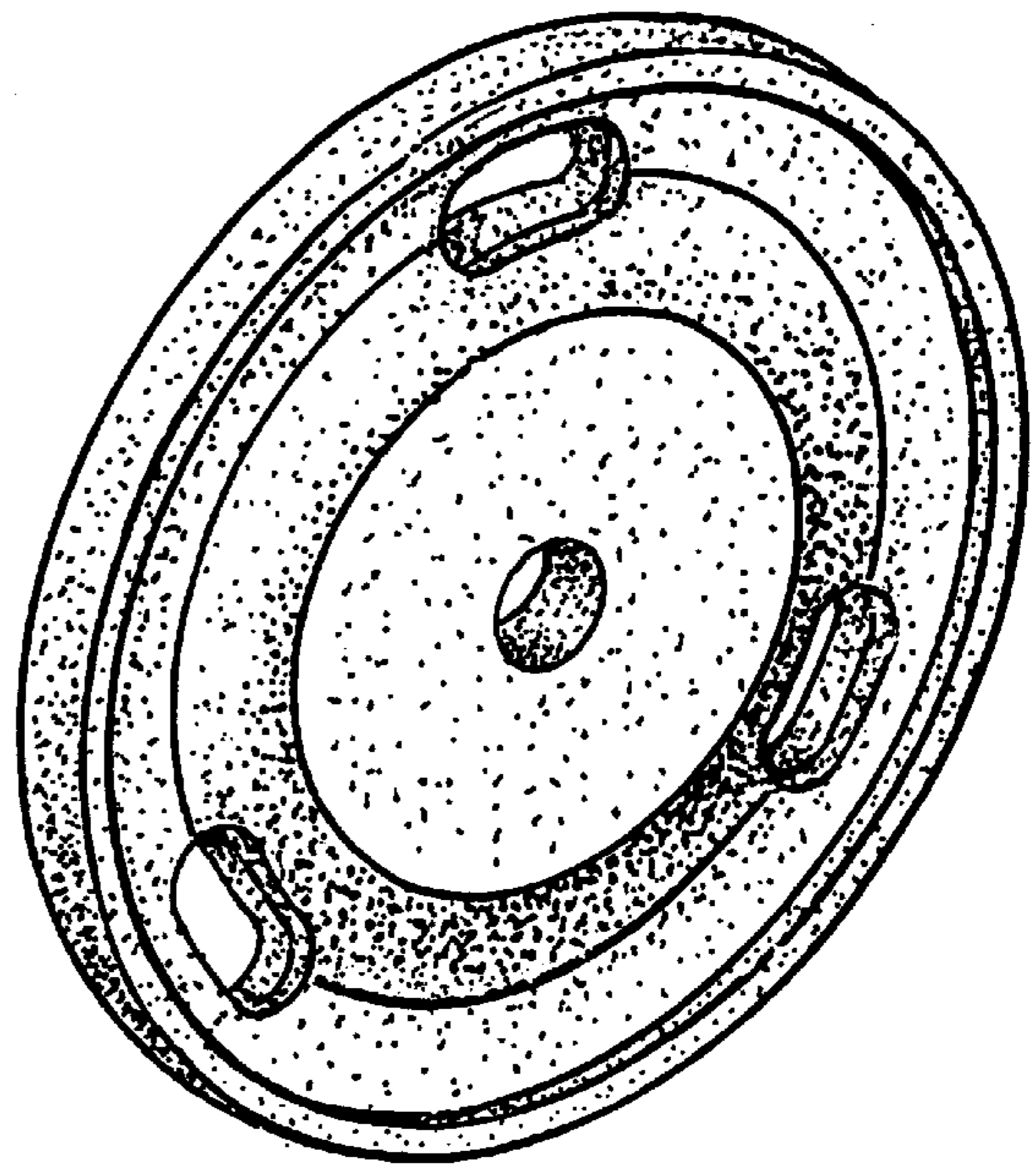


FIG. 12

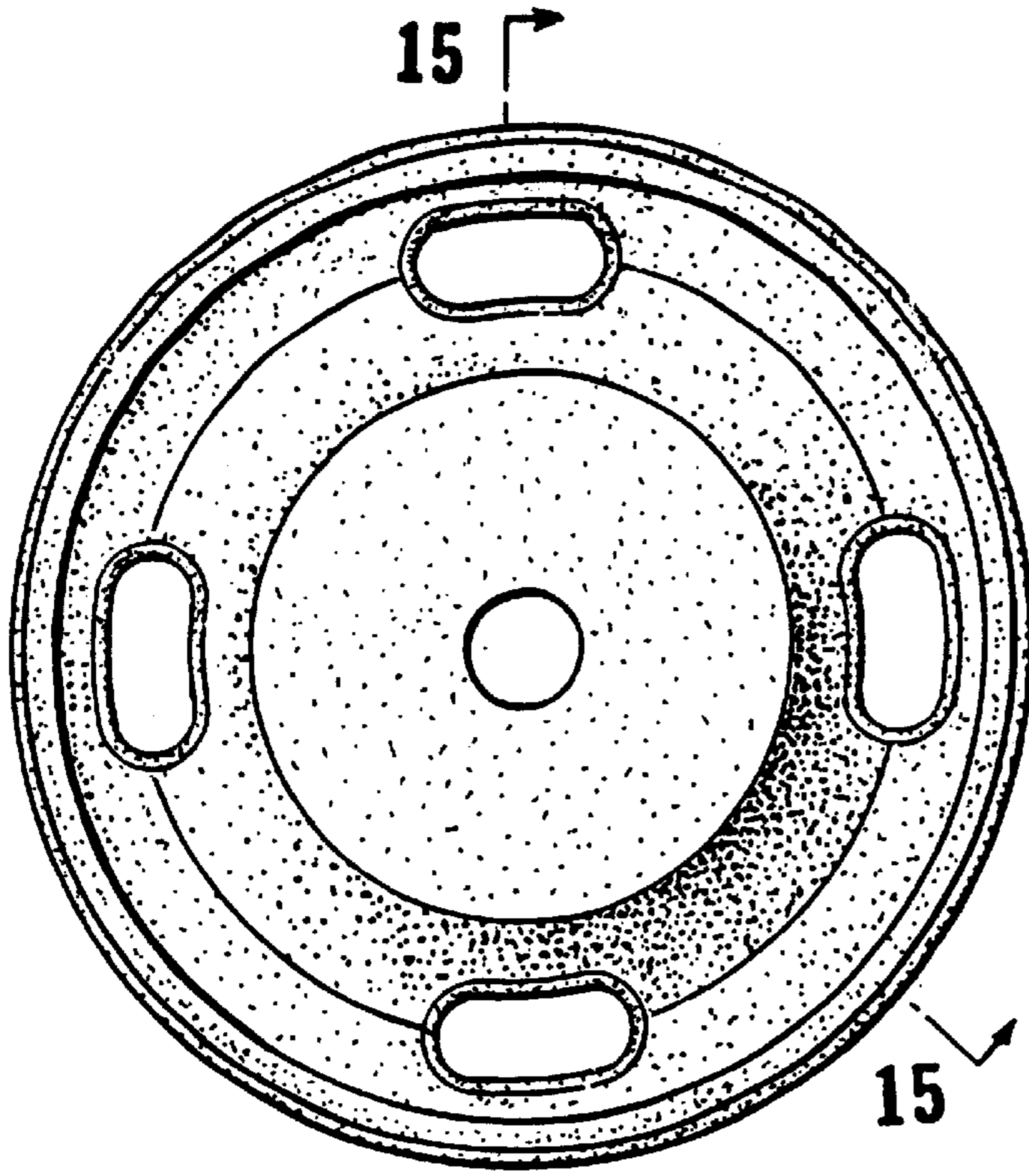


FIG. 13



FIG. 14



FIG. 15

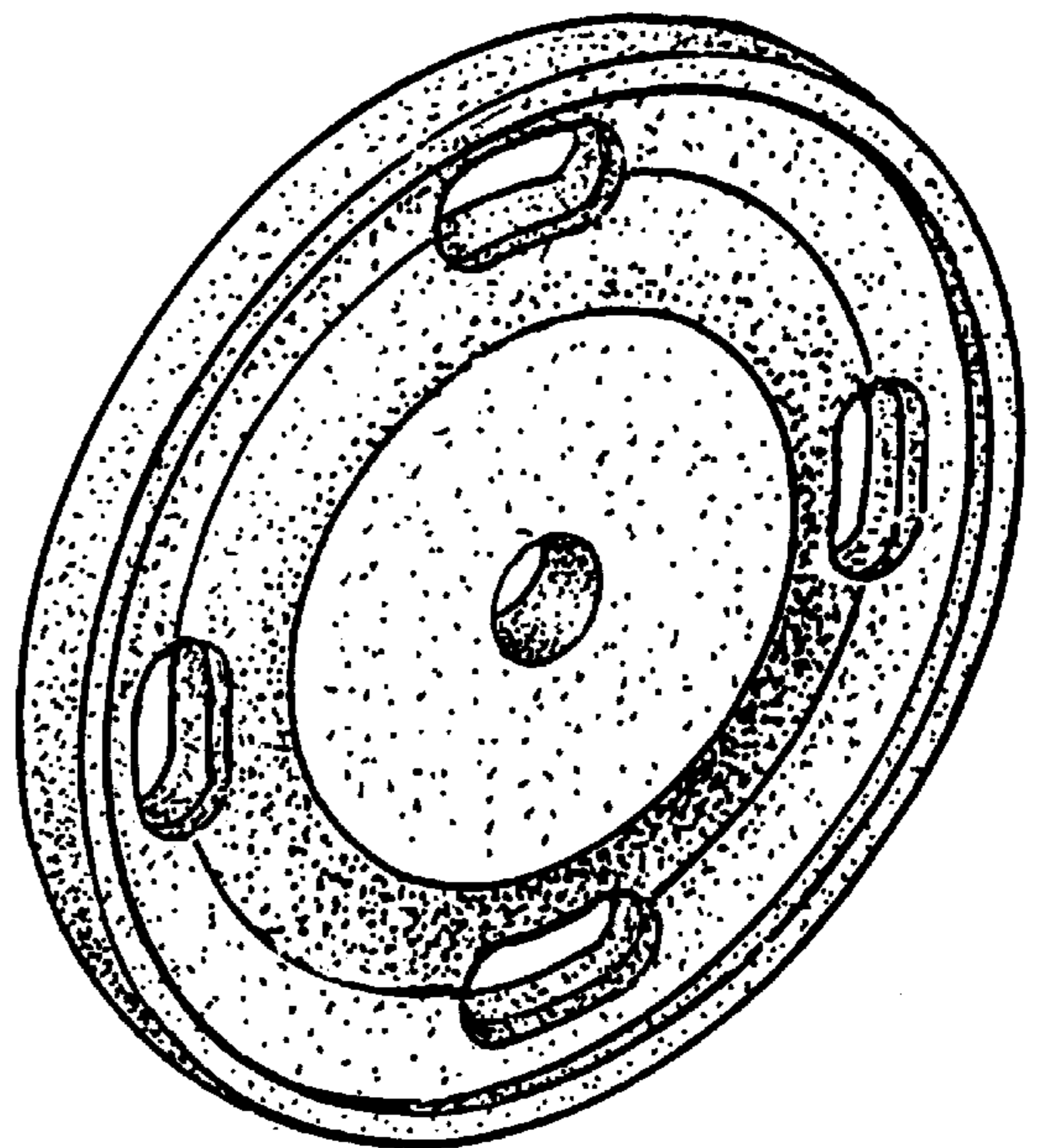
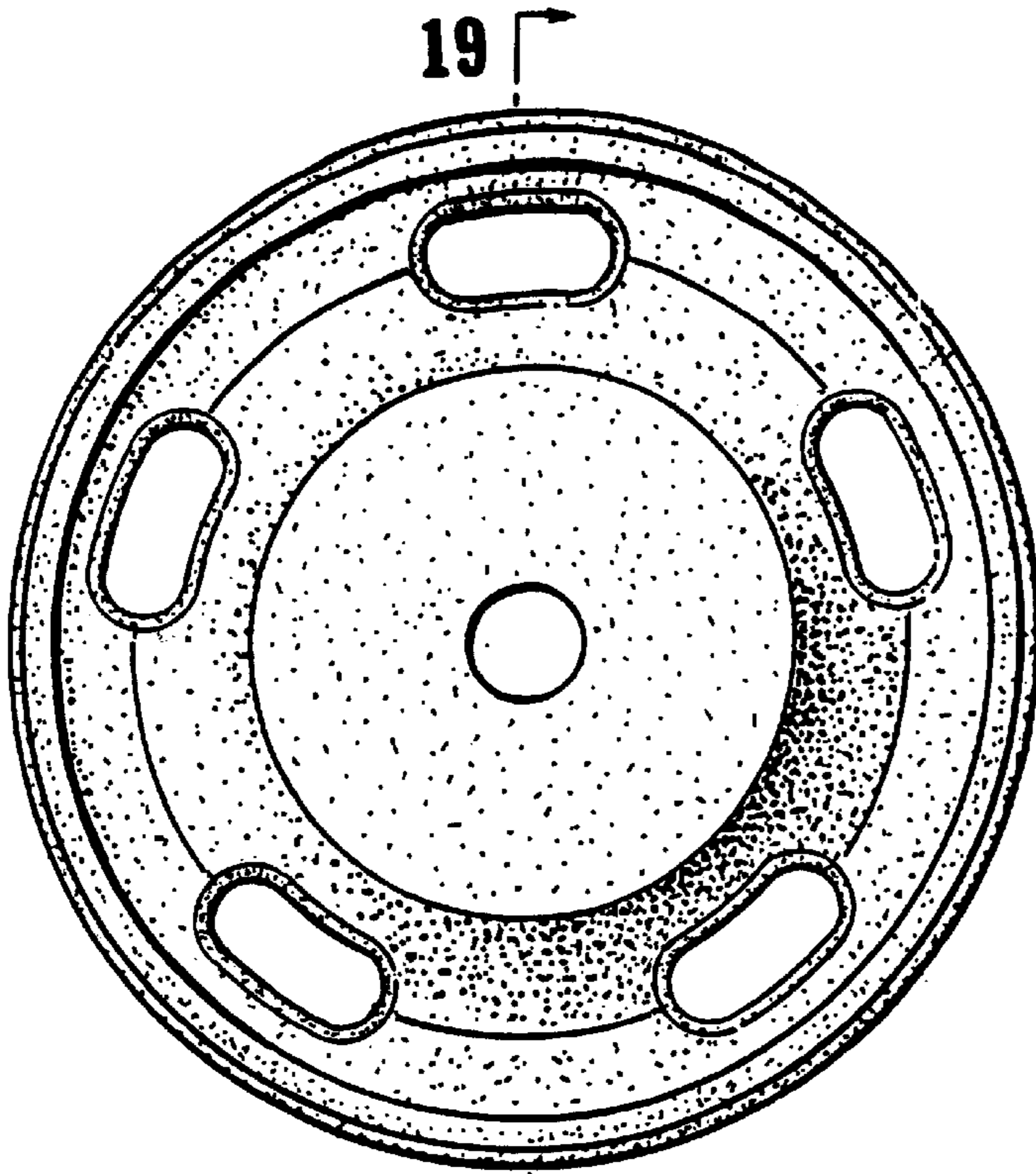


FIG. 16



19  
FIG. 17



FIG. 18



FIG. 19

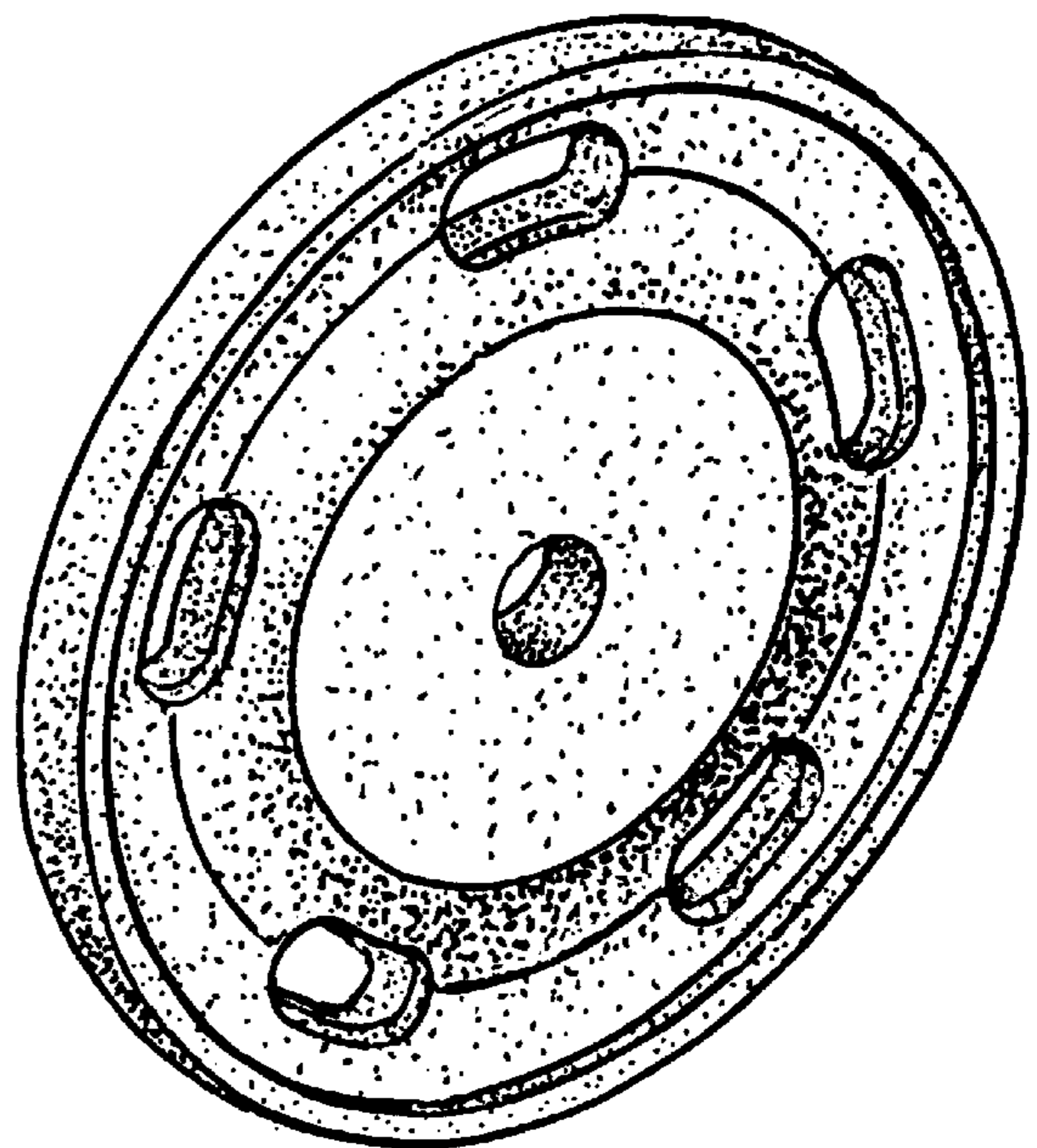


FIG. 20

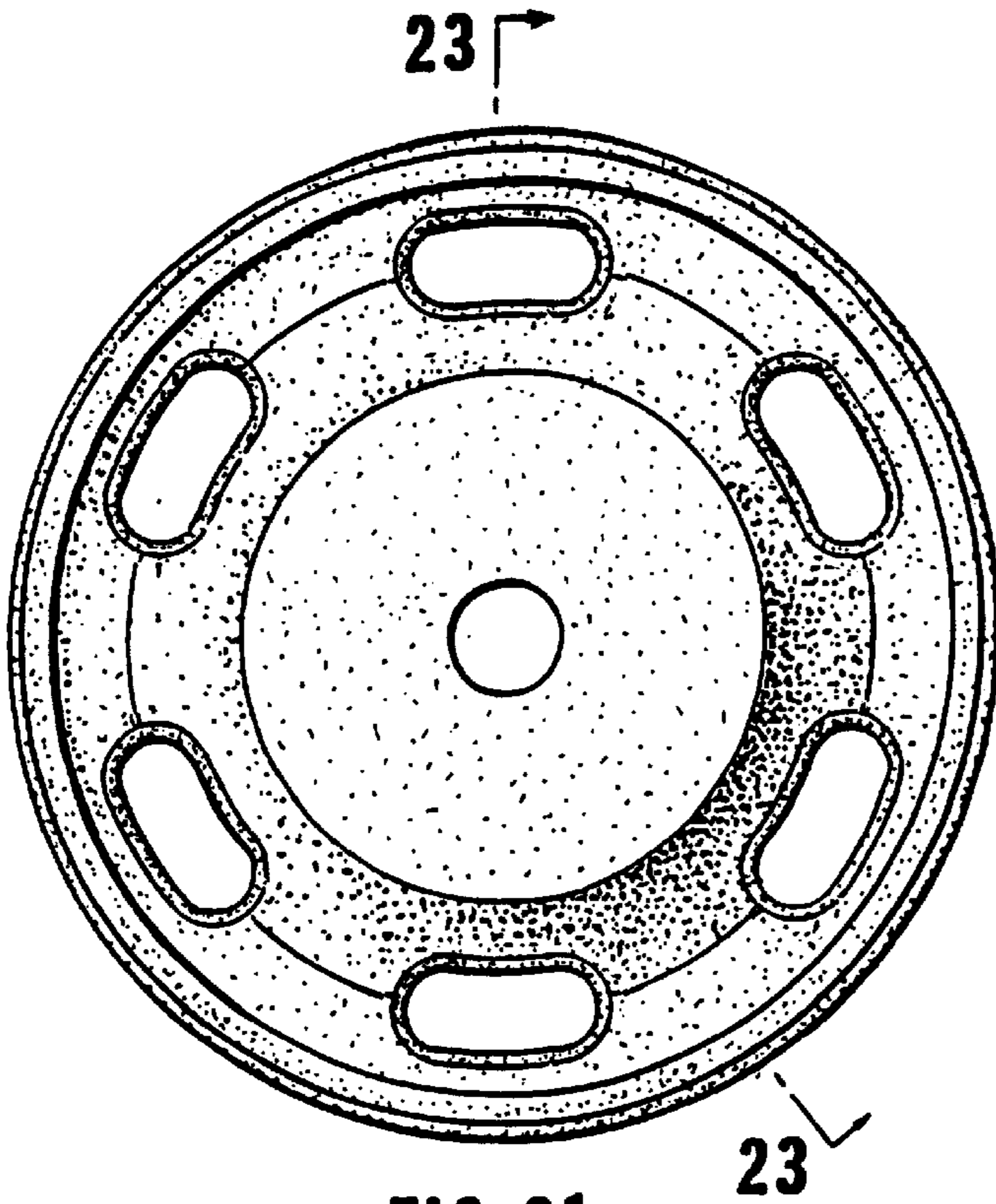


FIG. 21



FIG. 22



FIG. 23

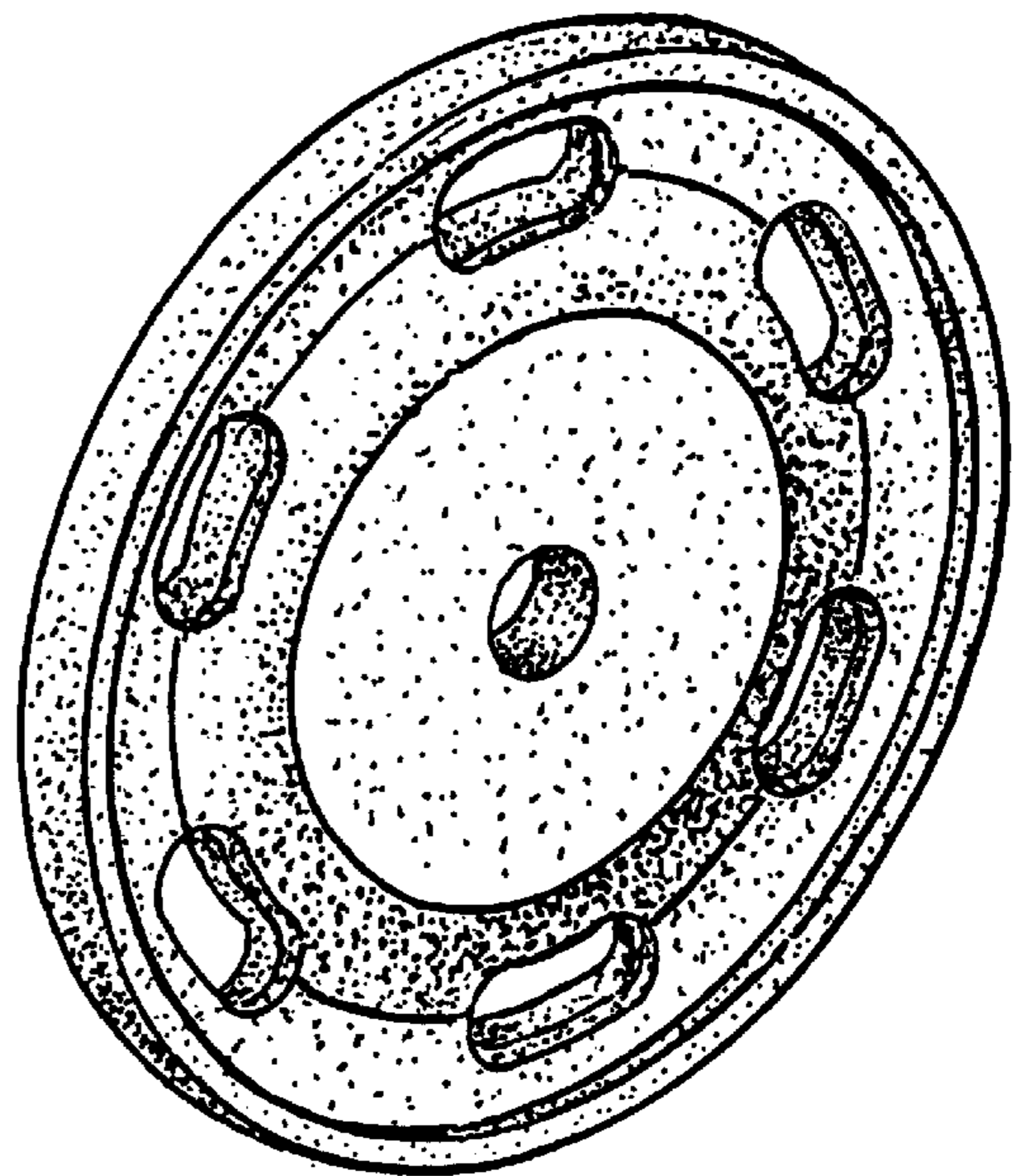
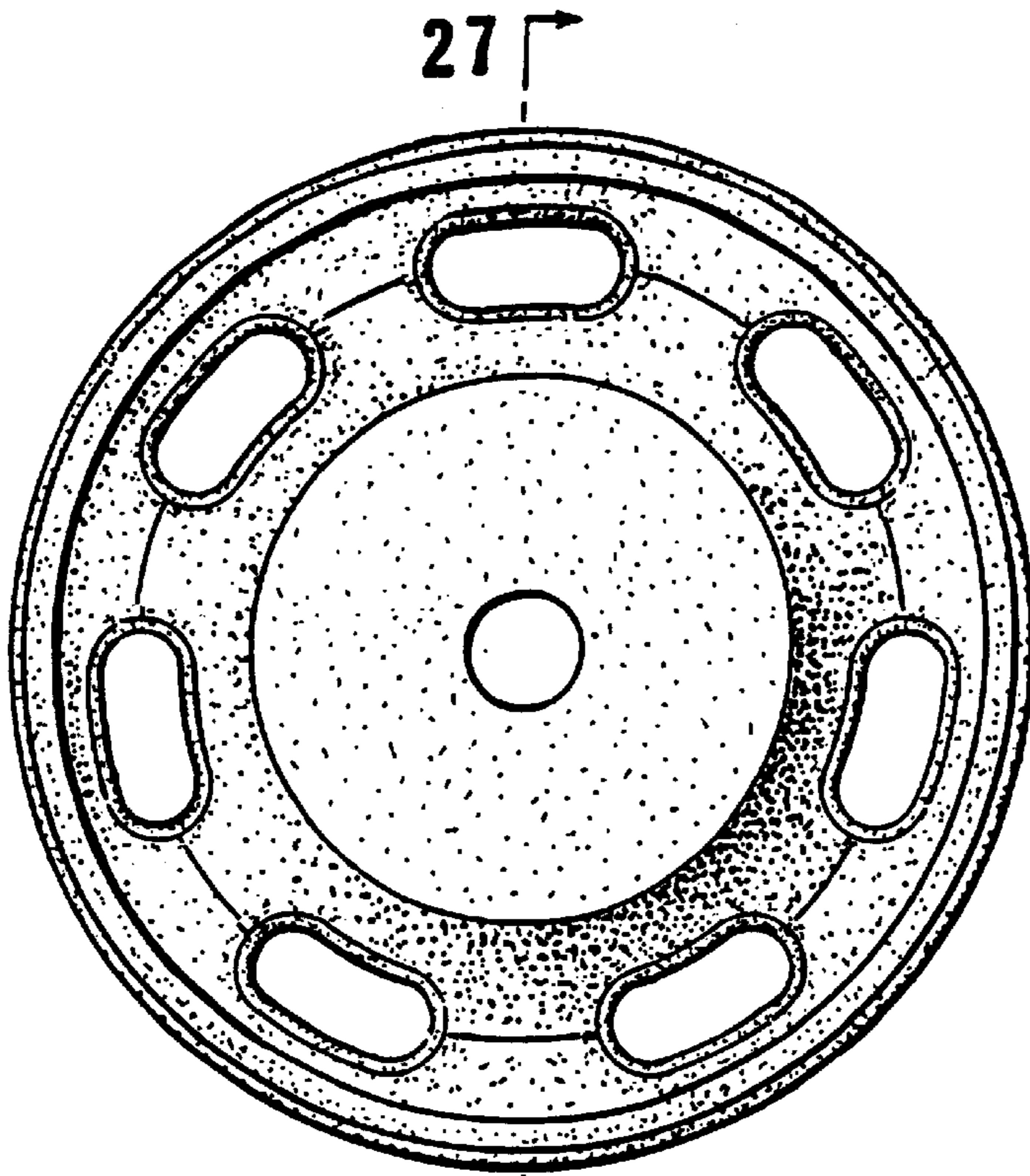


FIG. 24





27 ↗

27 ↘

FIG. 25



FIG. 26



FIG. 27

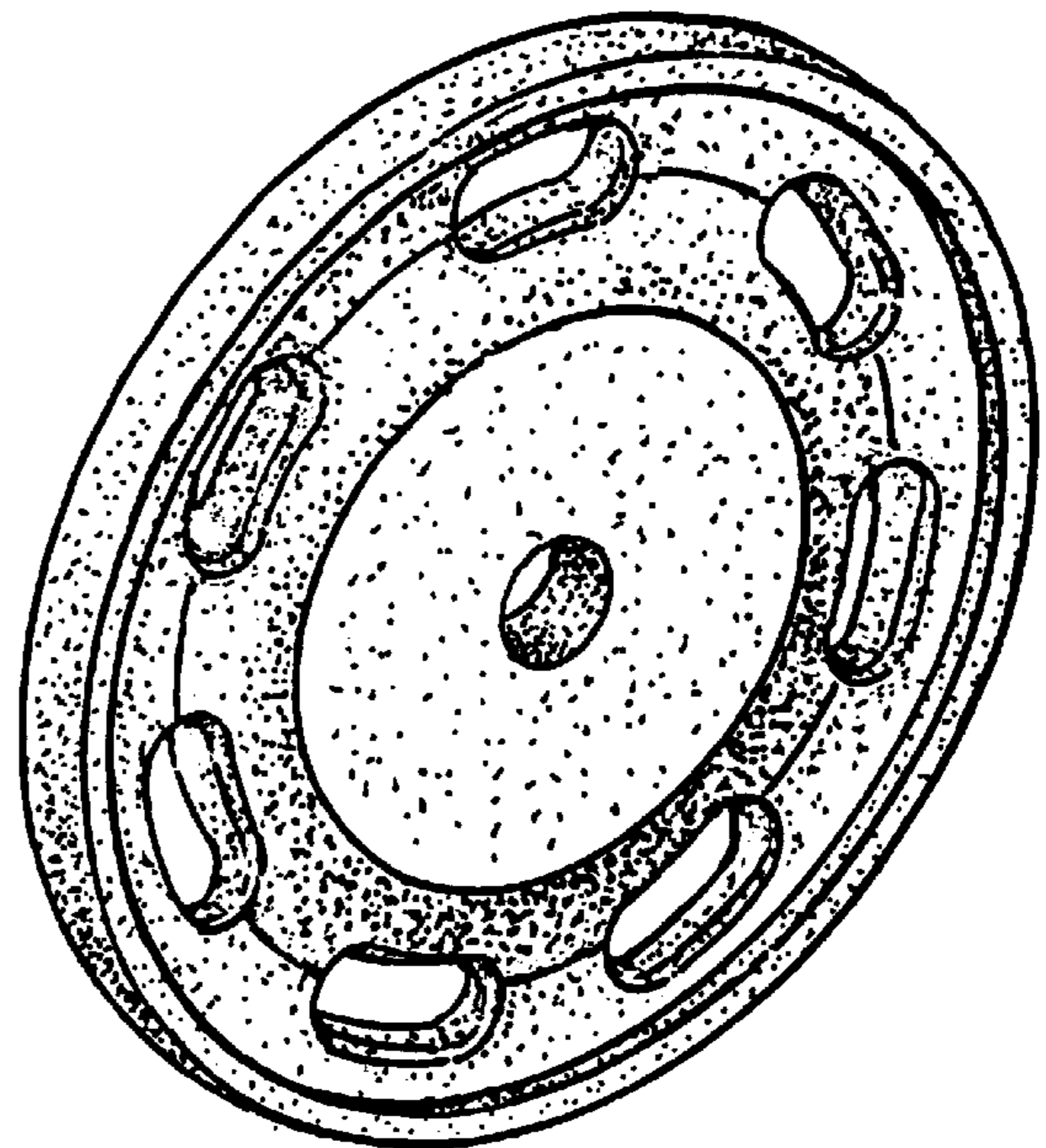


FIG. 28