



US00D446555B1

(12) **United States Design Patent**  
**Bang**

(10) **Patent No.:** **US D446,555 S**

(45) **Date of Patent:** **\*\* Aug. 14, 2001**

- (54) **TRICK BAR FOR FOOT SCOOTER**
- (76) Inventor: **Richard Michael Bang**, 1562 Palisades Dr., Pacific Palisades, CA (US) 90272
- (\*\*) Term: **14 Years**
- (21) Appl. No.: **29/138,096**
- (22) Filed: **Mar. 6, 2001**
- (51) **LOC (7) Cl.** ..... **21-01**
- (52) **U.S. Cl.** ..... **D21/423**
- (58) **Field of Search** ..... D21/419, 421, D21/423, 424, 426, 435, 533, 760, 765, 771; D12/107, 110-112, 117; 280/87.01, 87.041, 87.042, 87.05, 278, 287, 221; 180/180, 181, 219, 216

- 5,927,734 \* 7/1999 Horton et al. .... 280/87.042
- 6,120,044 \* 9/2000 Tsai ..... 280/87.05

\* cited by examiner

*Primary Examiner*—Raphael Barkai  
(74) *Attorney, Agent, or Firm*—Kelly Bauersfeld Lowry & Kelley, LLP

(57) **CLAIM**

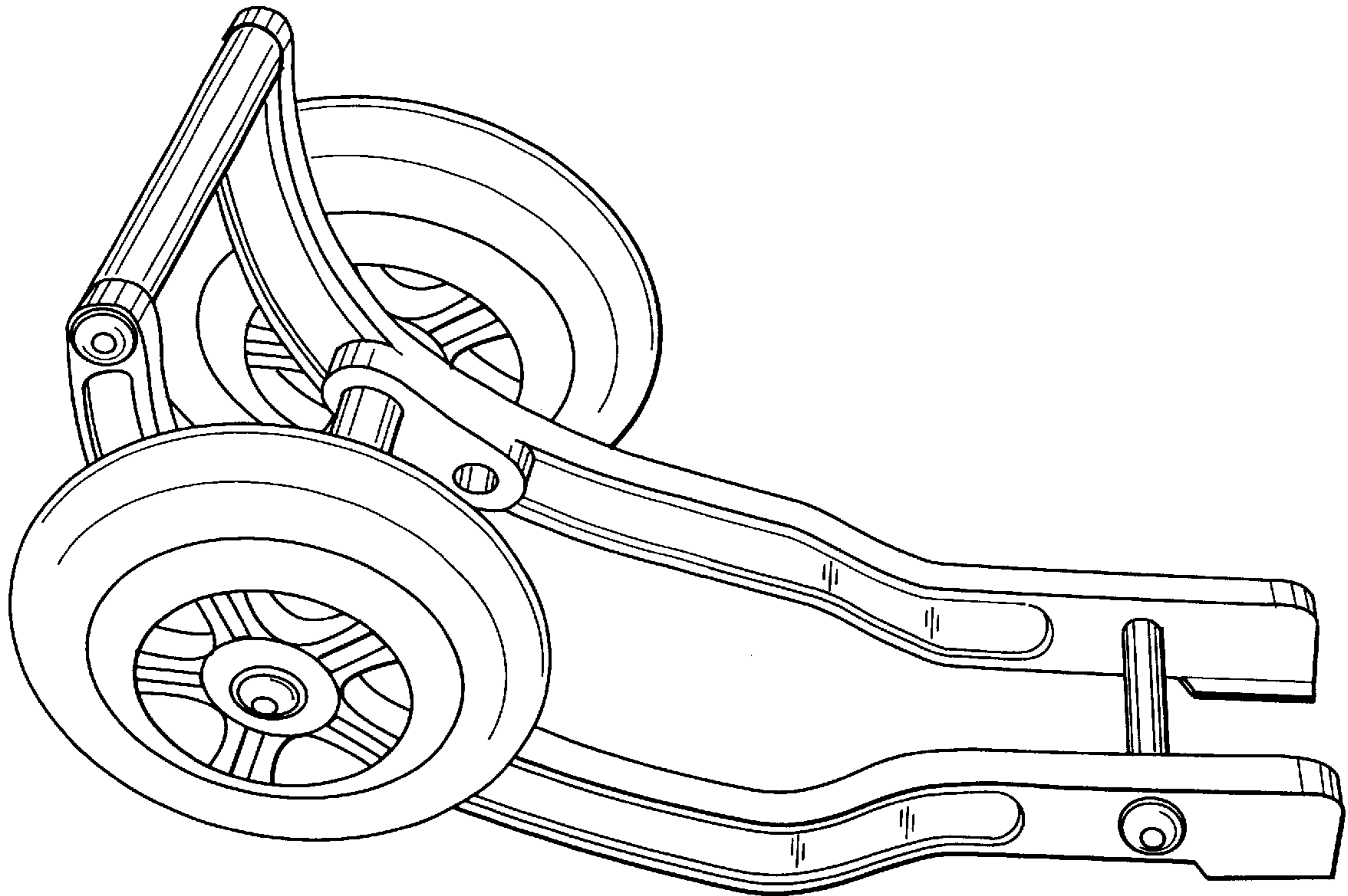
The ornamental design for a trick bar for foot scooter, as shown and described.

**DESCRIPTION**

FIG. 1 is a top and right side perspective view of a trick bar for foot scooter embodying my new design; FIG. 2 is a front elevational view thereof; FIG. 3 is a rear elevational view thereof; FIG. 4 is a right side elevational view thereof, the left side elevational view being a mirror image; FIG. 5 is a top plan view thereof; and, FIG. 6 is a bottom plan view thereof.

- (56) **References Cited**
- U.S. PATENT DOCUMENTS**
- 3,992,029 \* 11/1976 Washizawa ..... 280/221
- 5,927,733 \* 7/1999 Banda ..... 280/87.041

**1 Claim, 4 Drawing Sheets**



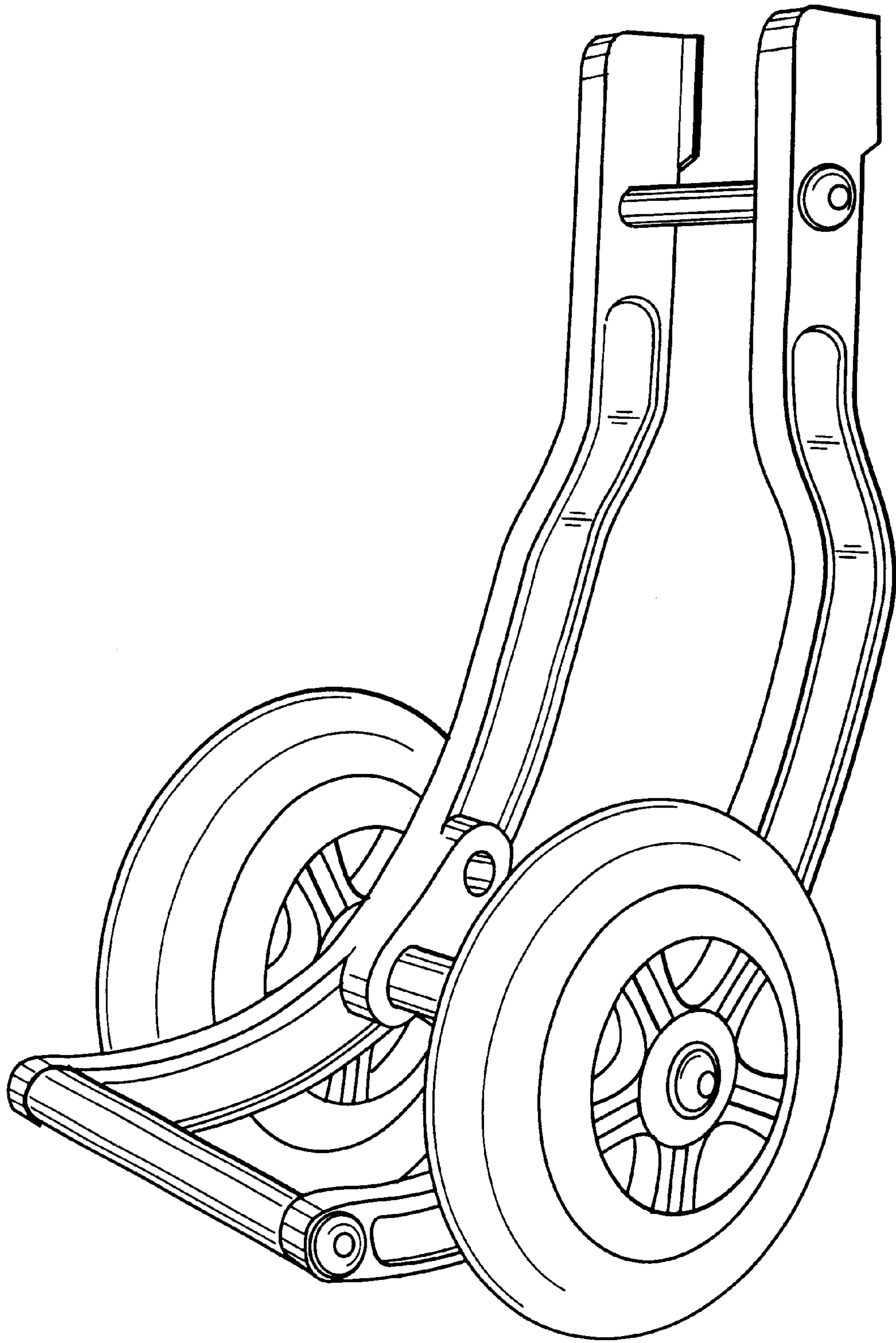


FIG. 1

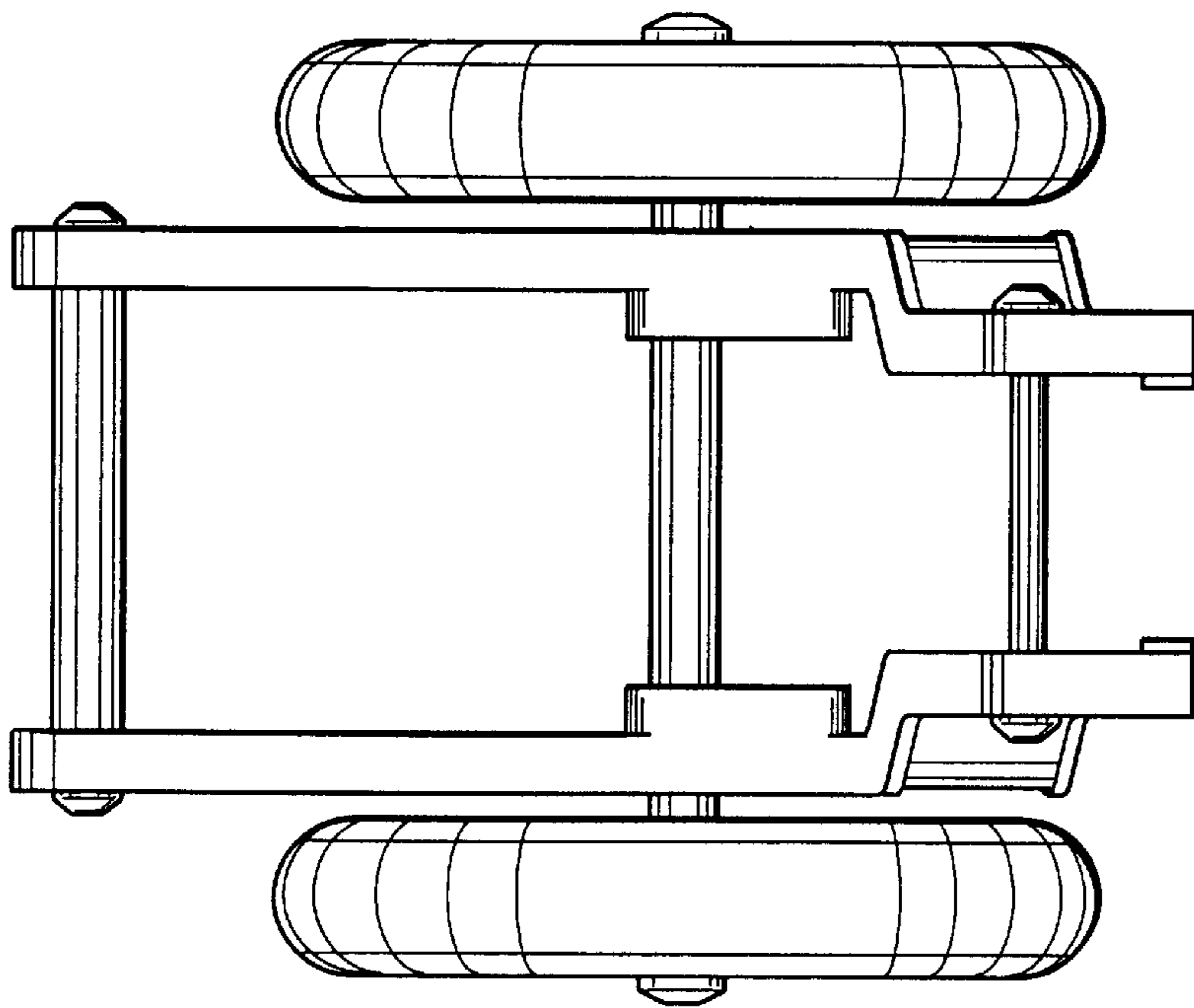


FIG. 2

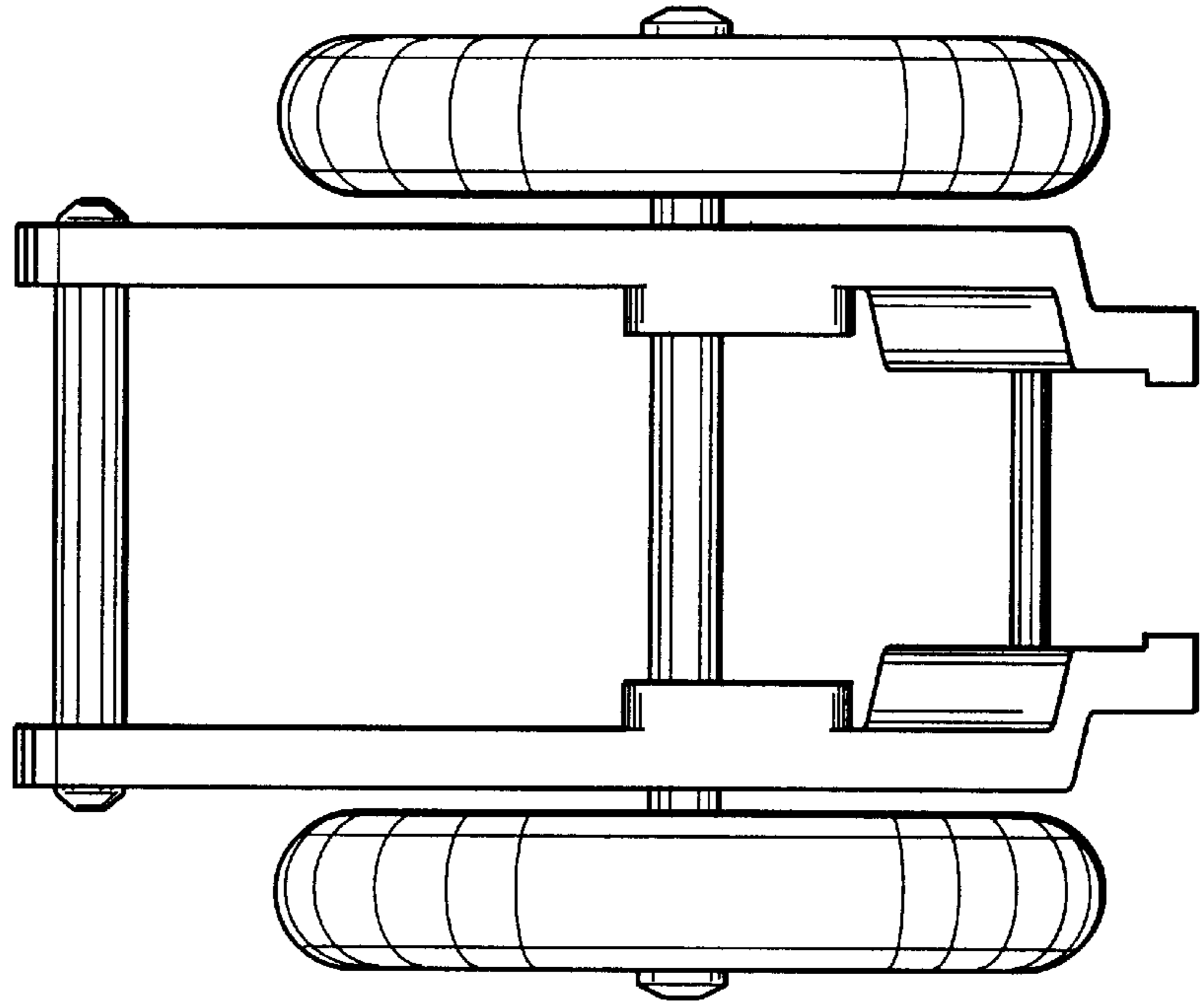


FIG. 3

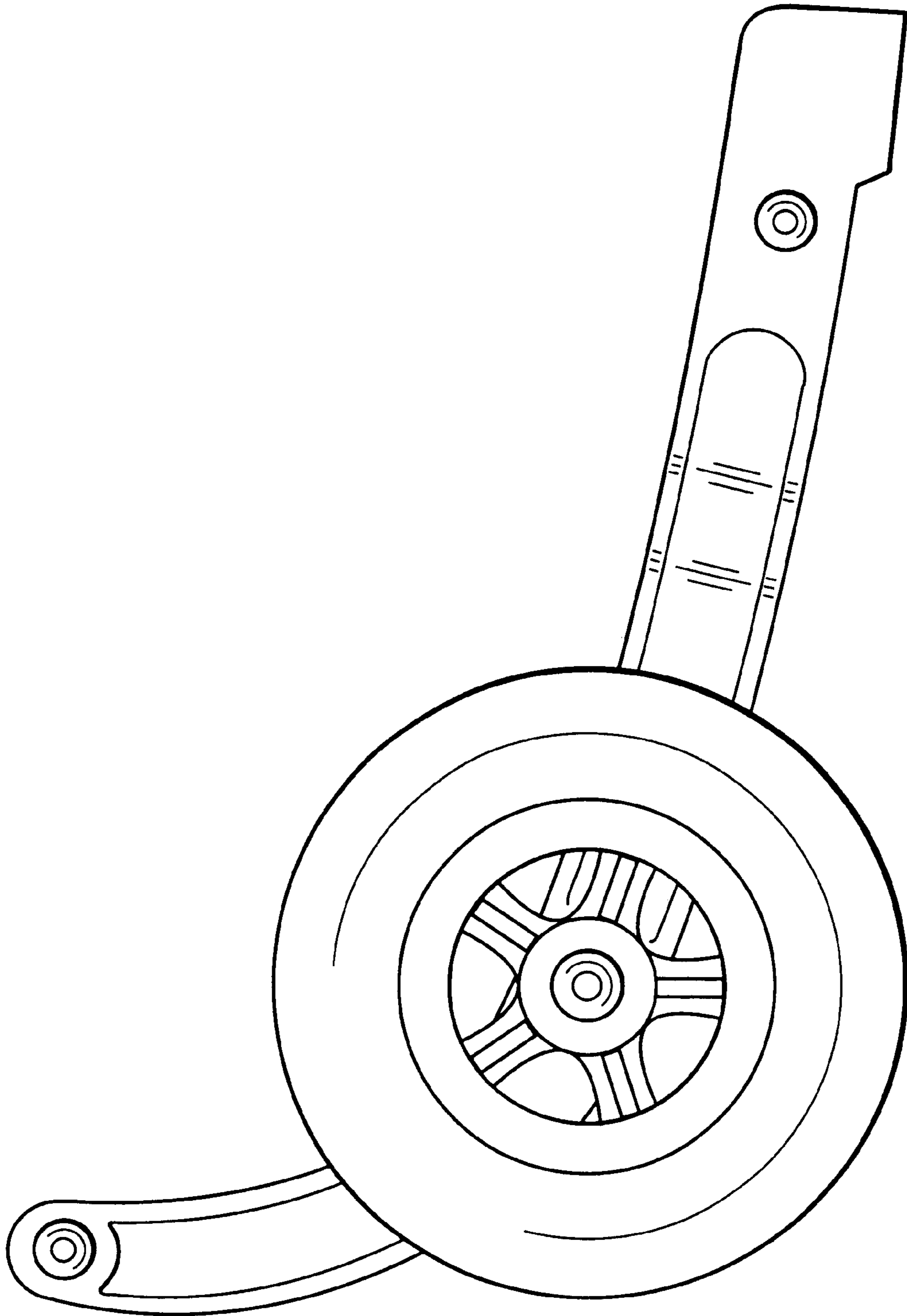


FIG. 4

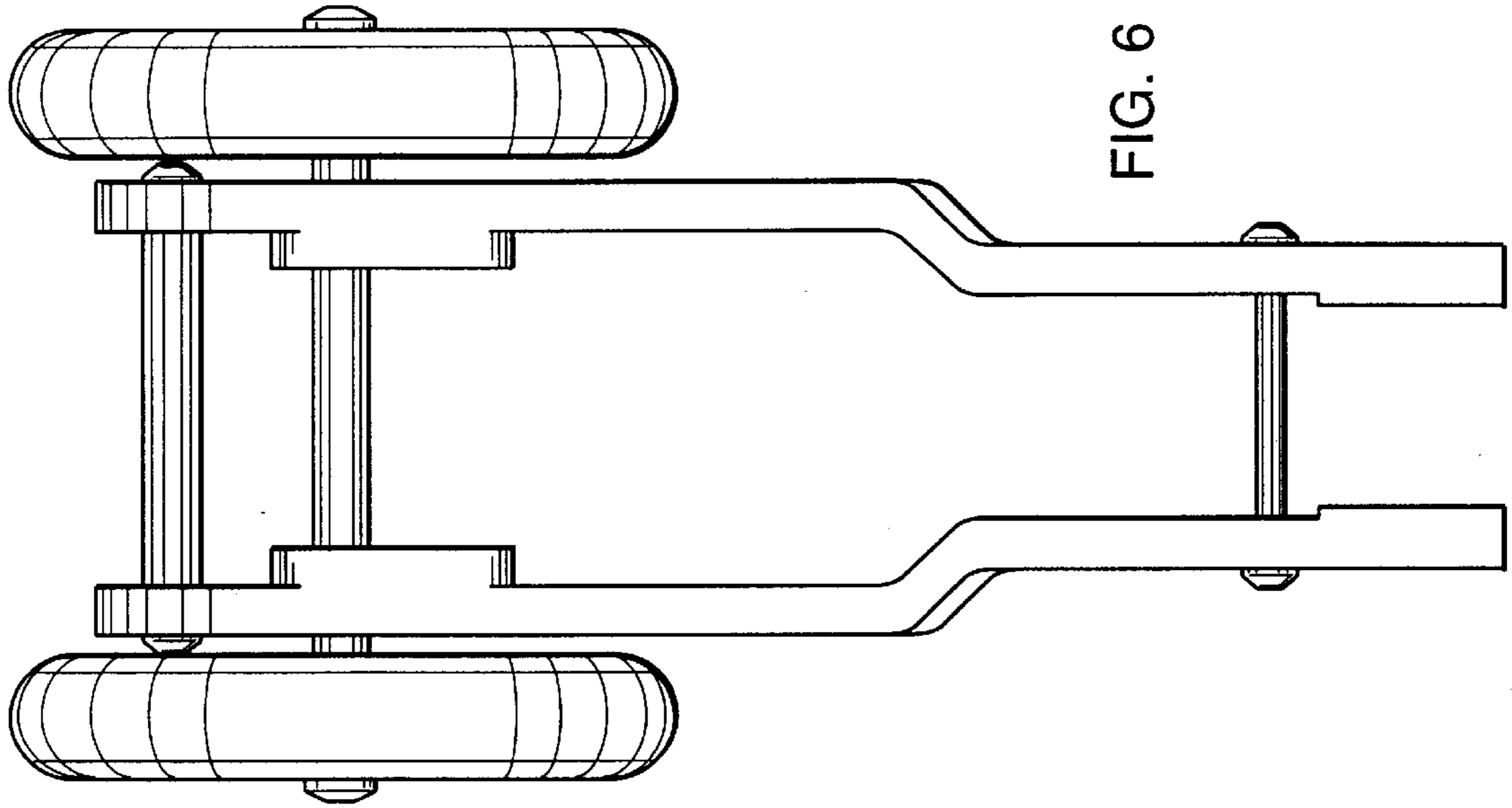


FIG. 6

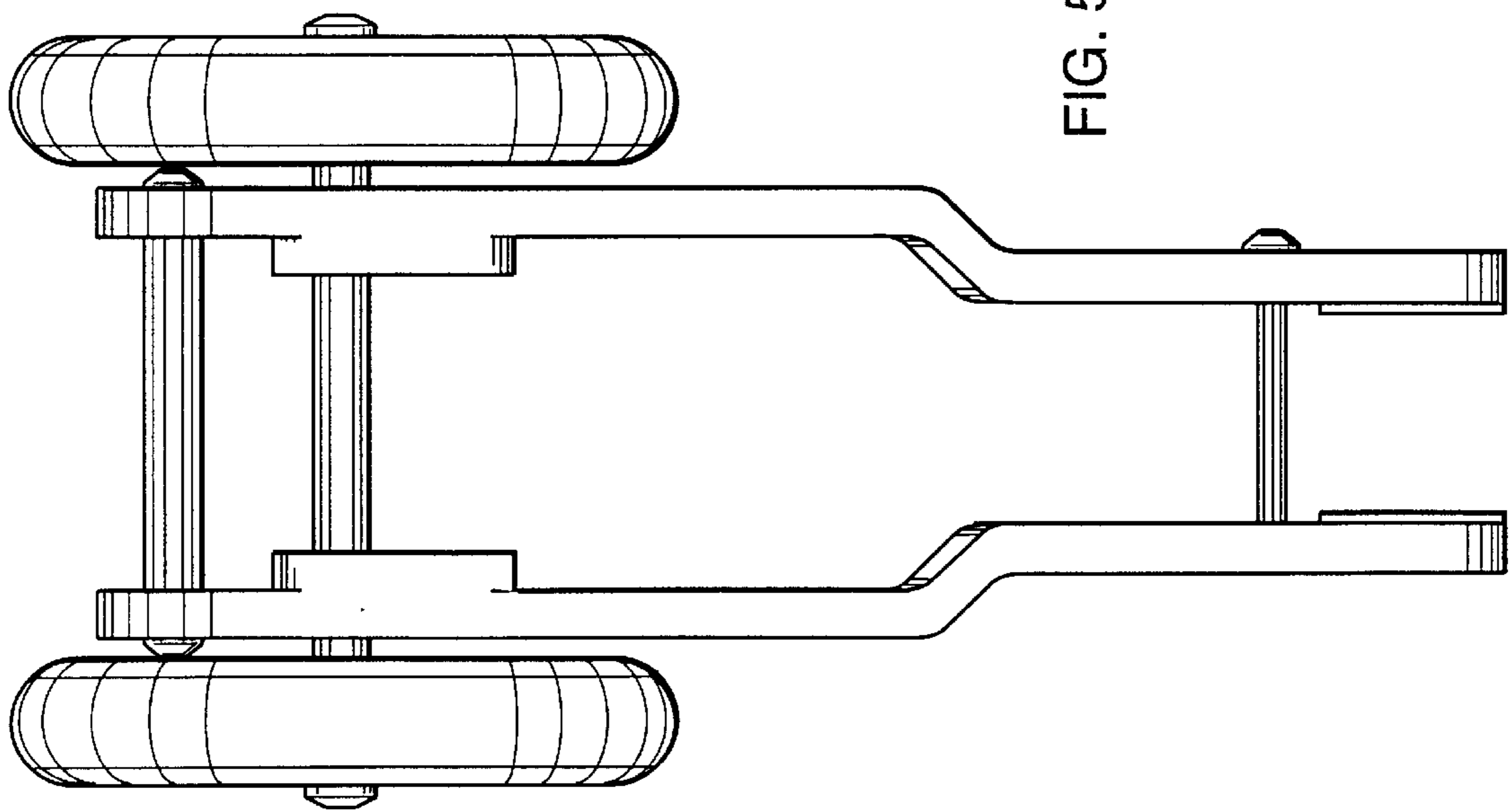


FIG. 5