



US00D446546B1

(12) **United States Design Patent**
Tarento

(10) **Patent No.:** **US D446,546 S**

(45) **Date of Patent:** **** Aug. 14, 2001**

(54) **COMBINATION WRITING INSTRUMENT
AND MINIATURE MECHANICAL CUE**

4,541,630 * 9/1985 Dirks 273/144 B
4,748,460 * 5/1988 Piatt et al. 401/195 X

(76) **Inventor:** **Jacques Tarento**, Unit 3, Steadfast
House, 239 Magill Road, Maylands,
South Australia, 5069 (AU)

* cited by examiner

Primary Examiner—Martie K. Holtje
(74) *Attorney, Agent, or Firm*—Woodbridge & Associates,
P.C.; Richard C. Woodbridge

(**) **Term:** **14 Years**

(57) **CLAIM**

(21) **Appl. No.:** **29/131,596**

The ornamental design for a combination writing instrument
and miniature mechanical cue, substantially as shown and
described.

(22) **Filed:** **Oct. 25, 2000**

(51) **LOC (7) Cl.** **19-06**

(52) **U.S. Cl.** **D19/36; D19/51; D19/56**

(58) **Field of Search** D19/35, 36, 41-51,
D19/53-58, 81-85; 401/52, 195; 273/144 B;
473/13, 15, 44; D21/782, 783, 784

DESCRIPTION

(56) **References Cited**

U.S. PATENT DOCUMENTS

- 128,557 * 7/1872 Meyer 473/13
- D. 329,823 * 9/1992 Francisco D10/104
- D. 341,623 * 11/1993 Chuang D19/36
- D. 379,472 * 5/1997 Smith D19/36
- 2,215,084 * 9/1940 Neal 401/88
- 3,228,378 * 1/1966 Rohrmuller 401/195 X
- 4,314,575 * 2/1982 Kuo 473/46

FIG. 1 is a rear elevational view of a combination writing
instrument and miniature mechanical cue showing my new
design;
FIG. 2 is a side elevational view thereof;
FIG. 3 is a bottom plan view thereof;
FIG. 4 is a top plan view thereof;
FIG. 5 is a front elevational view thereof;
FIG. 6 is a perspective view of the barrel portion of the
design shown separately for ease of illustration; and,
FIG. 7 is a perspective view of the cap portion also shown
separately for ease of illustration.

1 Claim, 2 Drawing Sheets

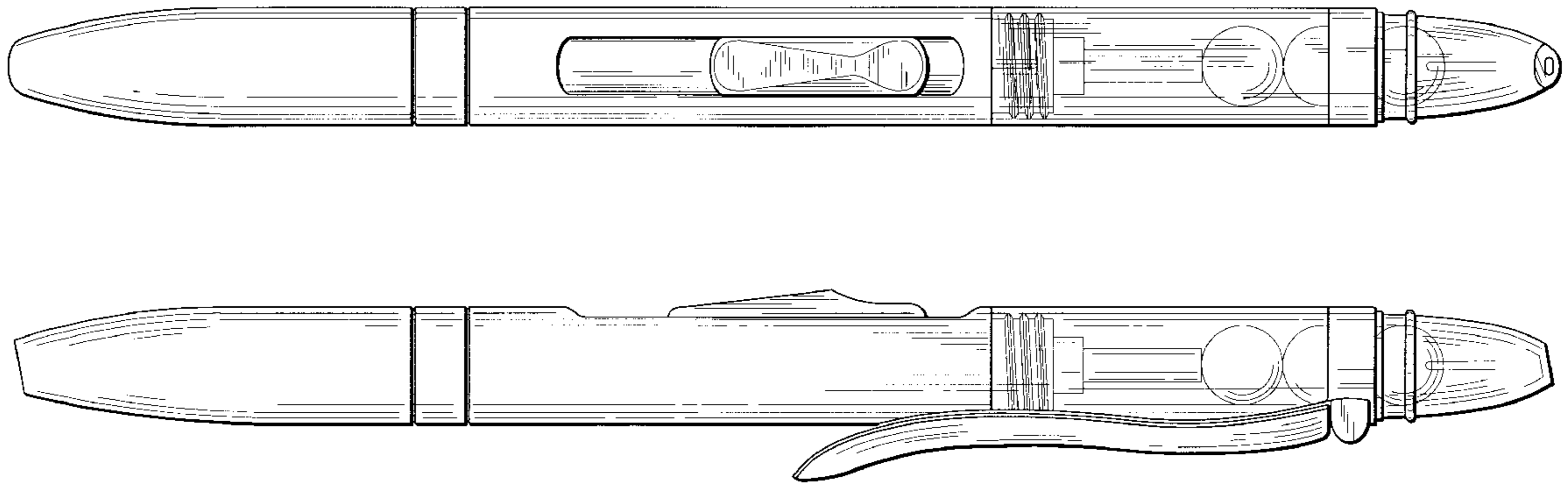


FIG. 1

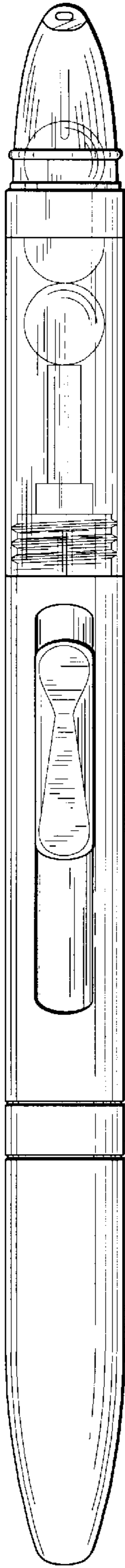


FIG. 2

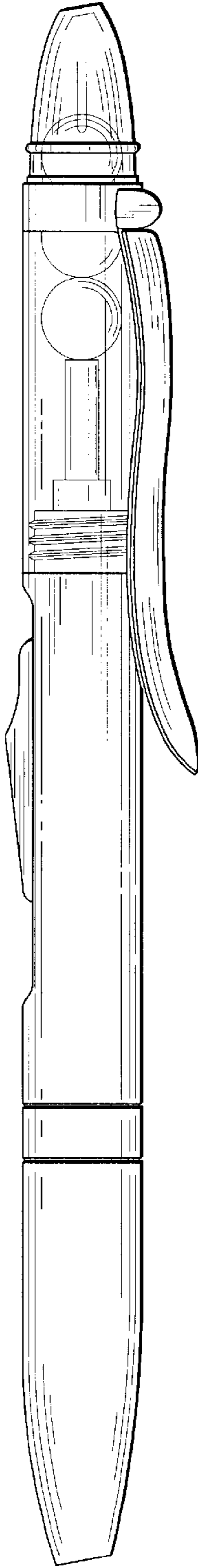


FIG. 3

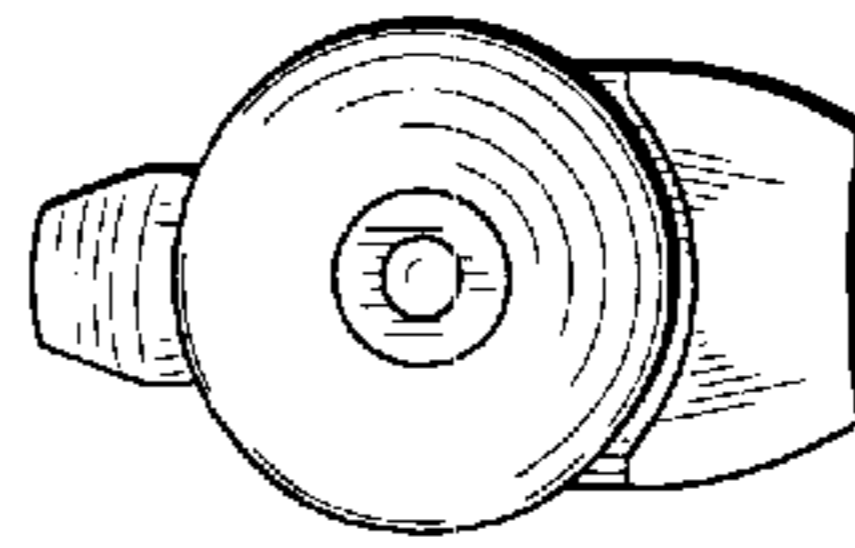


FIG. 4

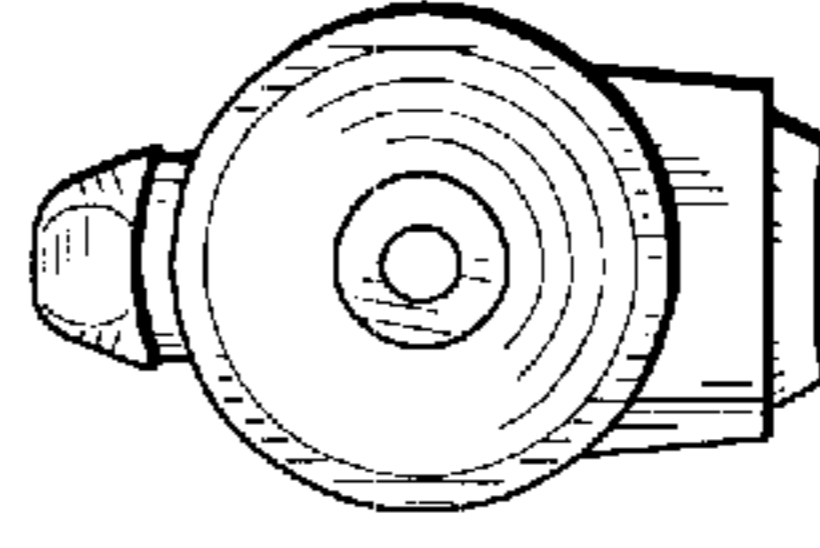
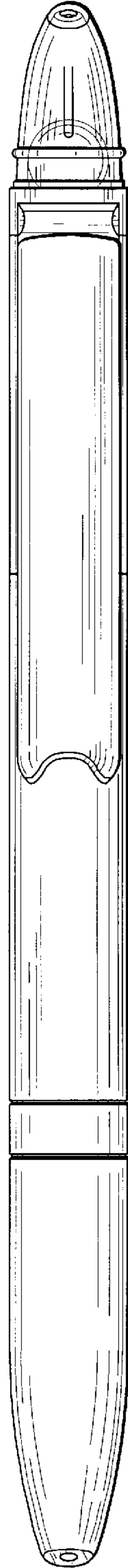


FIG. 5



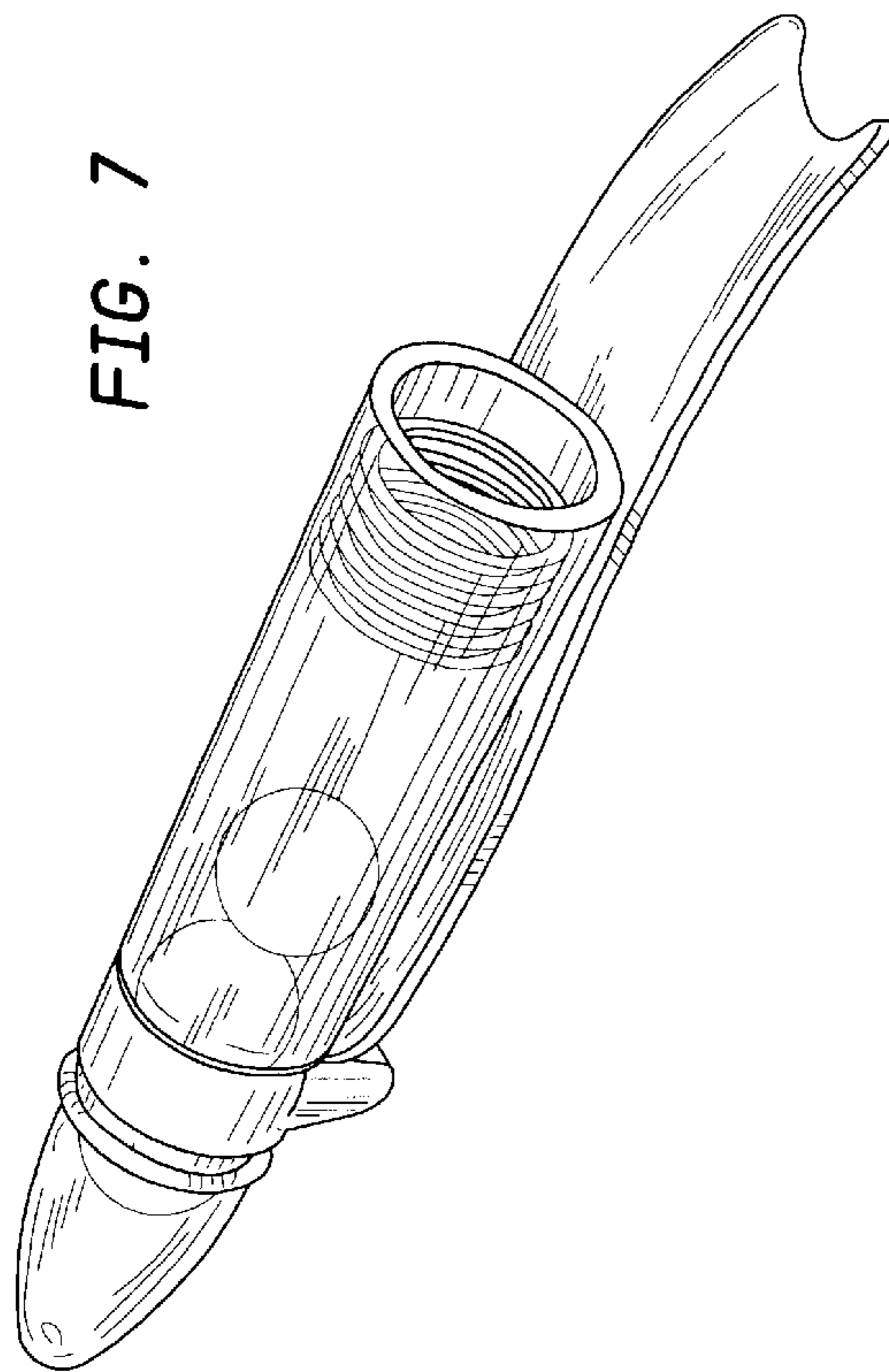
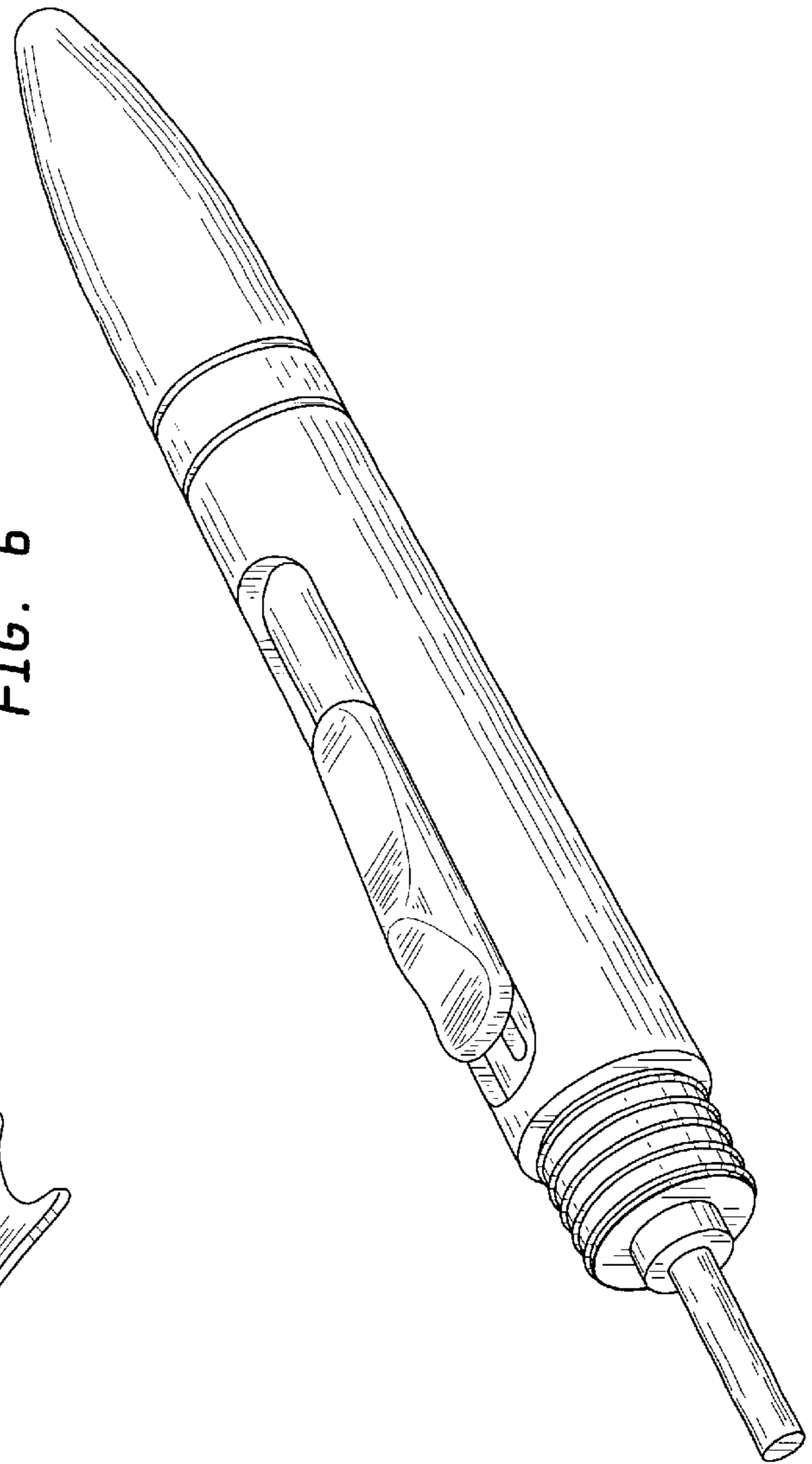


FIG. 6



UNITED STATES PATENT AND TRADEMARK OFFICE
CERTIFICATE OF CORRECTION

PATENT NO. : Des 446,546 S
DATED : August 14, 2001
INVENTOR(S) : Jacques Tarento

Page 1 of 1

It is certified that error appears in the above-identified patent and that said Letters Patent is hereby corrected as shown below:


Title page,

Item [73], Assignee should appear as follows: -- **PenPool International Pty Ltd.** --

Signed and Sealed this

Twentieth Day of August, 2002

Attest:

A handwritten signature in black ink, appearing to read "James E. Rogan", written over a horizontal line.

Attesting Officer

JAMES E. ROGAN
Director of the United States Patent and Trademark Office