



US00D446545B1

(12) **United States Design Patent**
Tanaka

(10) **Patent No.:** **US D446,545 S**

(45) **Date of Patent:** **** Aug. 14, 2001**

(54) **INK CARTRIDGE**

(75) Inventor: **Koichi Tanaka, Niigata (JP)**

(73) Assignee: **NEC Corporation, Tokyo (JP)**

(**) Term: **14 Years**

(21) Appl. No.: **29/125,185**

(22) Filed: **Jun. 20, 2000**

(30) **Foreign Application Priority Data**

Dec. 22, 1999 (JP) 11-35628

(51) **LOC (7) Cl.** **18-02**

(52) **U.S. Cl.** **D18/56; 347/86**

(58) **Field of Search** **D18/56; 347/86,**
347/87

(56) **References Cited**

U.S. PATENT DOCUMENTS

D. 319,070	*	8/1991	Lavander	D18/56
D. 346,179	*	4/1994	Haida	D18/56
D. 351,190	*	10/1994	Oshima et al.	D18/56
D. 361,591	*	8/1995	Tokuda et al.	D18/56
D. 390,259	*	2/1998	Inoue et al.	D18/56
D. 392,671	*	3/1998	Sasaki	D18/56
D. 407,746	*	4/1999	Fujii et al.	D18/56
D. 419,592	*	1/2000	Nakazawa et al.	D18/56
D. 425,110	*	5/2000	Dietl et al.	D18/56
5,541,631	*	7/1996	Hashimoto	347/86

5,953,030	*	9/1999	Ishinaga et al.	347/86
5,984,462	*	11/1999	DeFilippis	347/86
6,012,793	*	1/2000	Haigo	347/7
6,042,224	*	3/2000	Oda et al.	347/86
6,070,976	*	6/2000	Takagi et al.	347/86
6,074,049	*	6/2000	Machler	347/86
6,082,852	*	7/2000	Soga et al.	347/86
6,099,114	*	8/2000	Sasaki	347/86
6,099,115	*	8/2000	Faoro	347/86
6,106,111	*	8/2000	Taneya et al.	347/86
6,137,513	*	10/2000	Pawlowski, Jr. et al.	347/86

* cited by examiner

Primary Examiner—Cathy Anne MacCormac

(74) *Attorney, Agent, or Firm*—Sughrue, Mion, Zinn, Macpeak & Seas, PLLC

(57) **CLAIM**

The ornamental design for an ink cartridge, as shown.

DESCRIPTION

FIG. 1 is a perspective view of the front, bottom and right side of an ink cartridge showing my new design; FIG. 2 is a top plan view thereof; FIG. 3 is a bottom plan view thereof; FIG. 4 is a left side elevational view thereof; FIG. 5 is a front elevational view thereof; FIG. 6 is a right side elevational view thereof; and, FIG. 7 is a rear elevational view thereof.

1 Claim, 4 Drawing Sheets

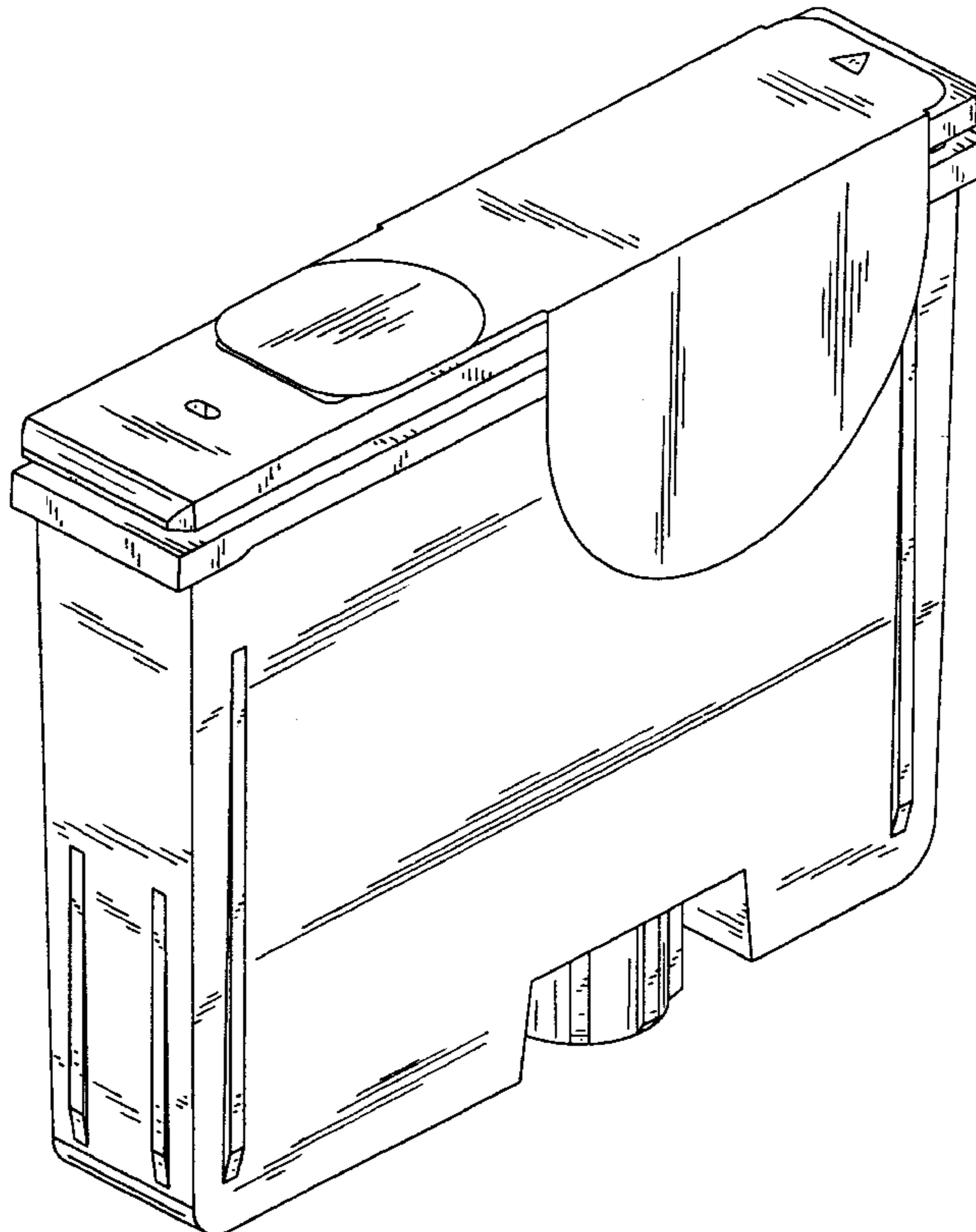


FIG. 1

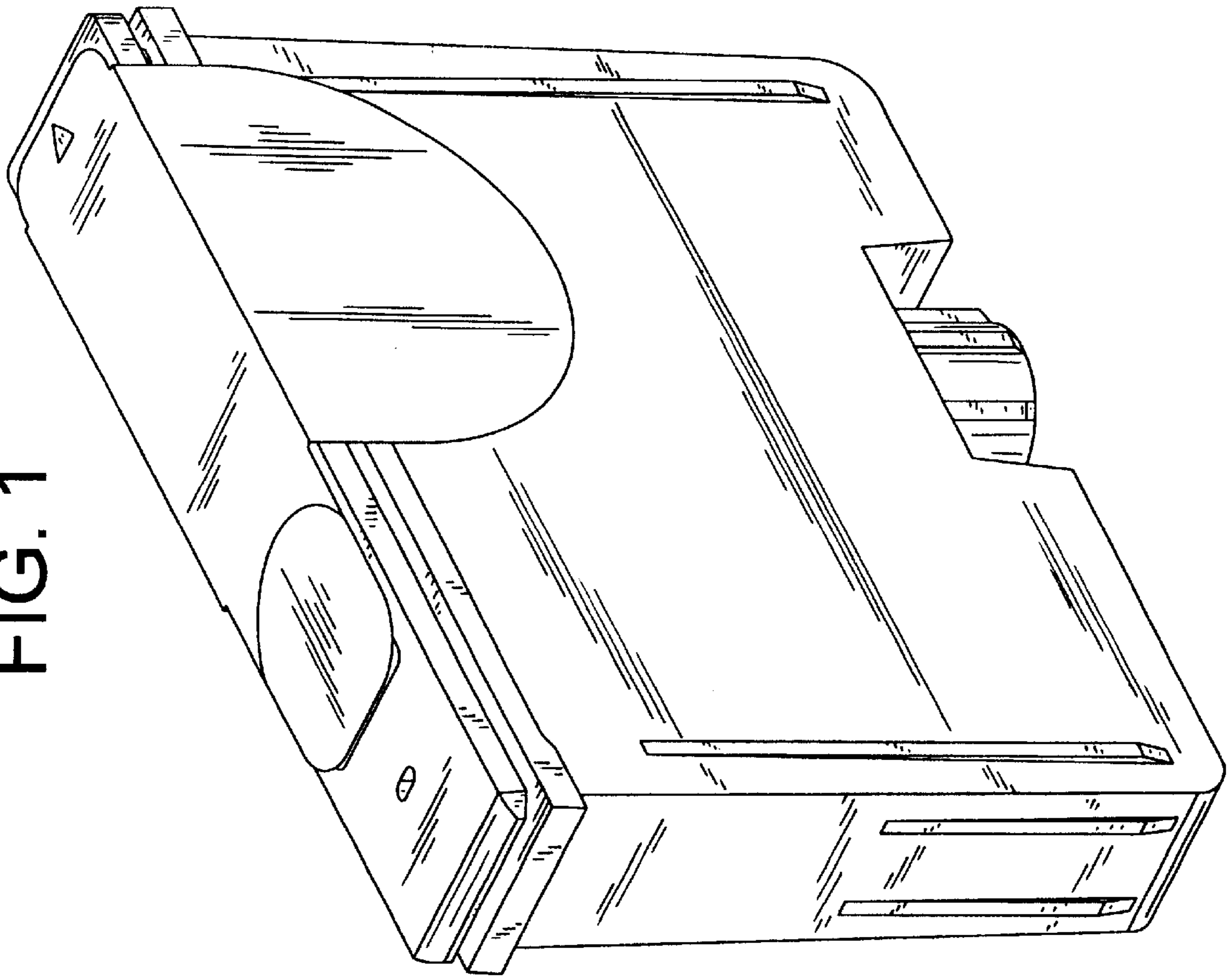


FIG. 3

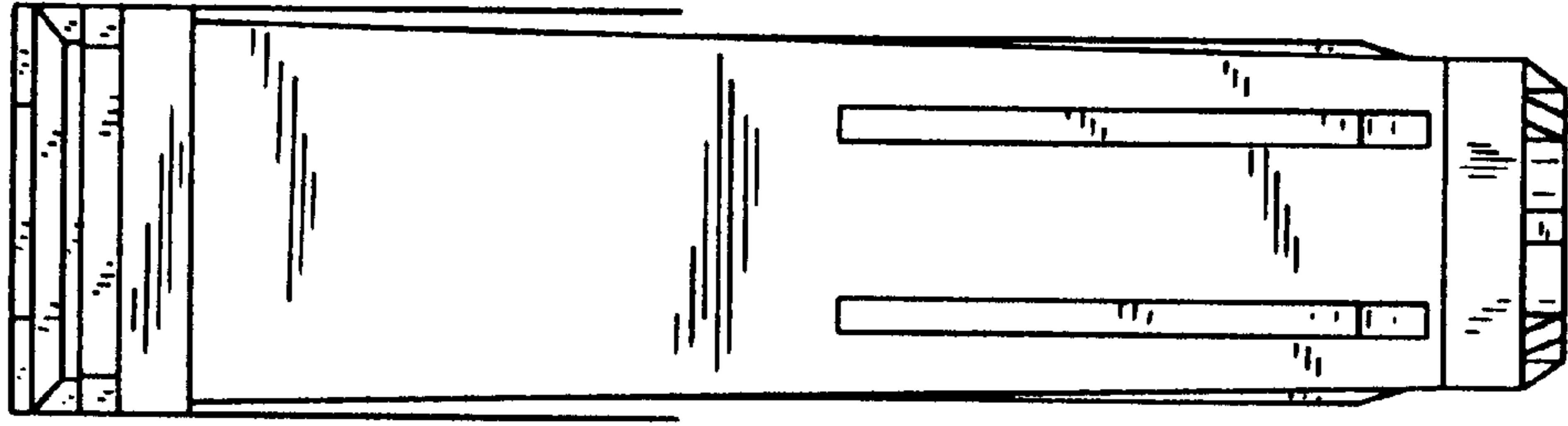


FIG. 2

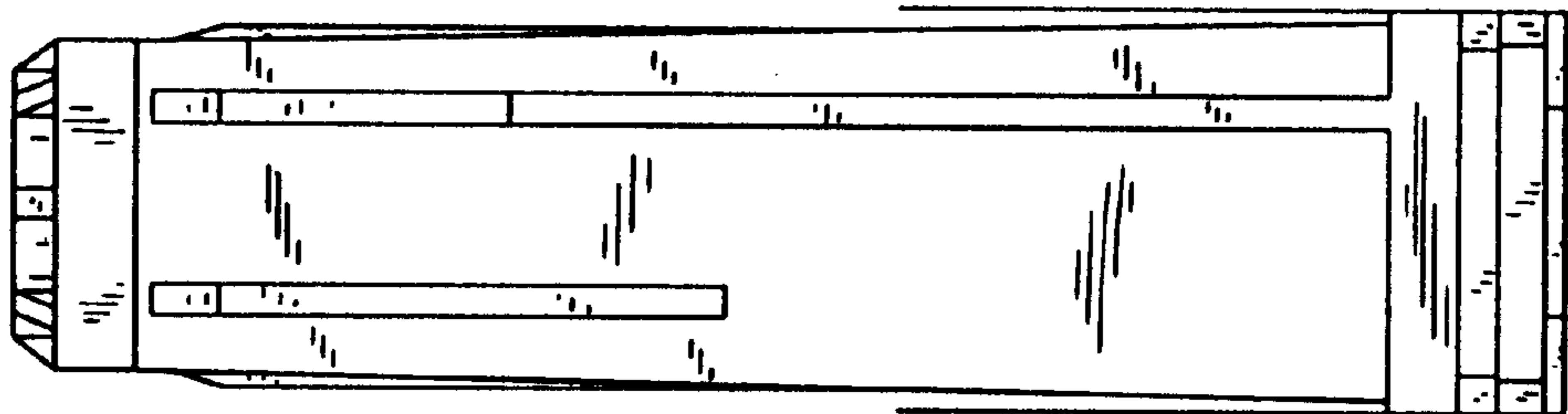


FIG. 5

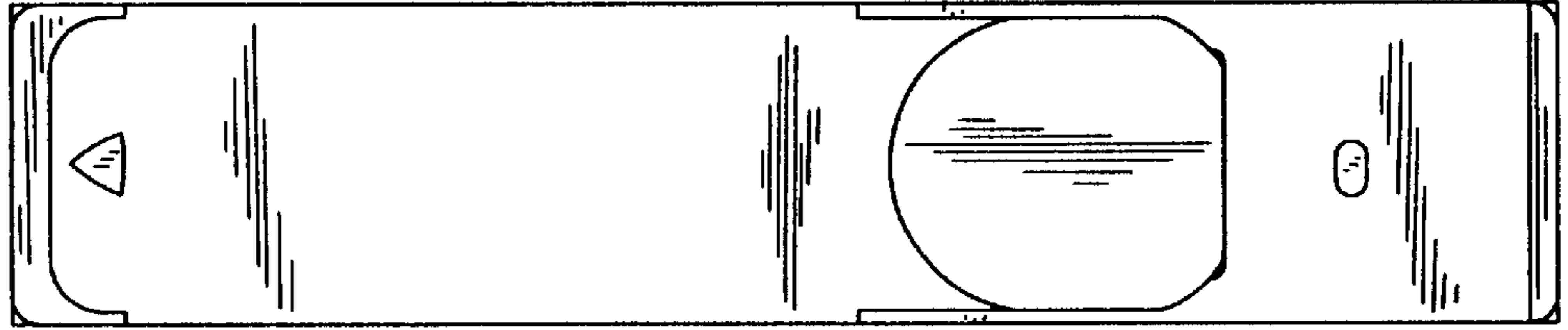


FIG. 4

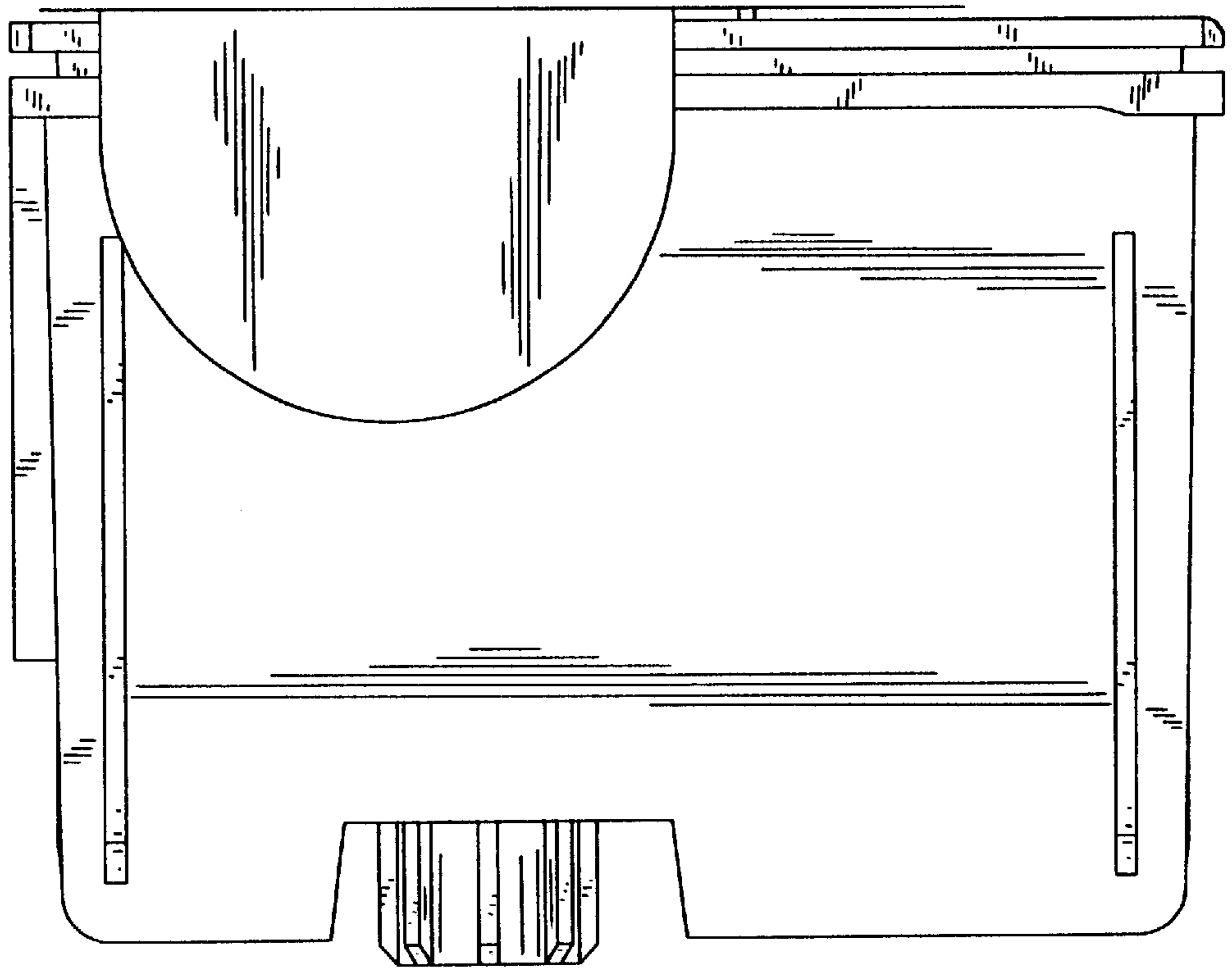


FIG. 7

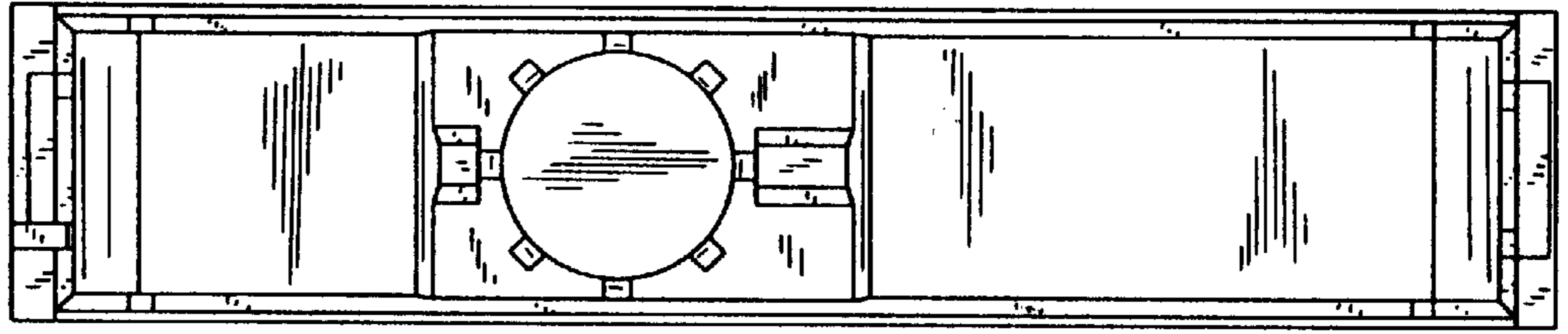


FIG. 6

