



US00D446544B1

(12) **United States Design Patent**  
**Platner et al.**

(10) **Patent No.: US D446,544 S**

(45) **Date of Patent: \*\* Aug. 14, 2001**

(54) **CARD PRINTER HOUSING**

D. 431,261 \* 9/2000 Haas et al. .... D18/50

(75) Inventors: **Thomas C. Platner**, Eden Prairie;  
**James R. Meier**, St. Paul; **Donald L. Swetala**, Richfield; **Thomas A. Tedham**, Eden Prairie; **Ben G. Rogowski**, Richfield, all of MN (US)

(73) Assignee: **Fargo Electronics, Inc.**, Eden Prairie, MN (US)

(\*\*) Term: **14 Years**

(21) Appl. No.: **29/126,363**

(22) Filed: **Jul. 12, 2000**

(51) **LOC (7) Cl. .... 14-02**

(52) **U.S. Cl. .... D18/50**

(58) **Field of Search** ..... D18/36-39, 50,  
D18/53, 54-55; 400/613, 613.1-613.4,  
691-694, 690.1-690.4

(56) **References Cited**

**U.S. PATENT DOCUMENTS**

- D. 293,113 \* 12/1987 Foy ..... D18/54
- D. 293,245 \* 12/1987 Hujimori et al. .... D18/55
- D. 350,364 \* 9/1994 Kawashima et al. .... D18/50
- D. 378,378 \* 3/1997 Nakazawa et al. .... D18/54
- D. 425,552 \* 5/2000 Kobayashi et al. .... D18/54

**OTHER PUBLICATIONS**

- Brochure on Models HDP710 and HDP720, 2000.
- Brochure on Model Pro-L, 2000.
- Brochure on Models DTC710 and DTC720, 2000.
- Brochure on Persona C15 and C25 Card Printers, 2000.
- Brochure on Persona M10 and C10 Card Printers, 2000.
- Data Sheet on the Persona ID Card Printer, 1994, 2 pages.

\* cited by examiner

*Primary Examiner*—Cathy Anne MacCormac

(74) *Attorney, Agent, or Firm*—Westman, Champlin & Kelly, P.A.

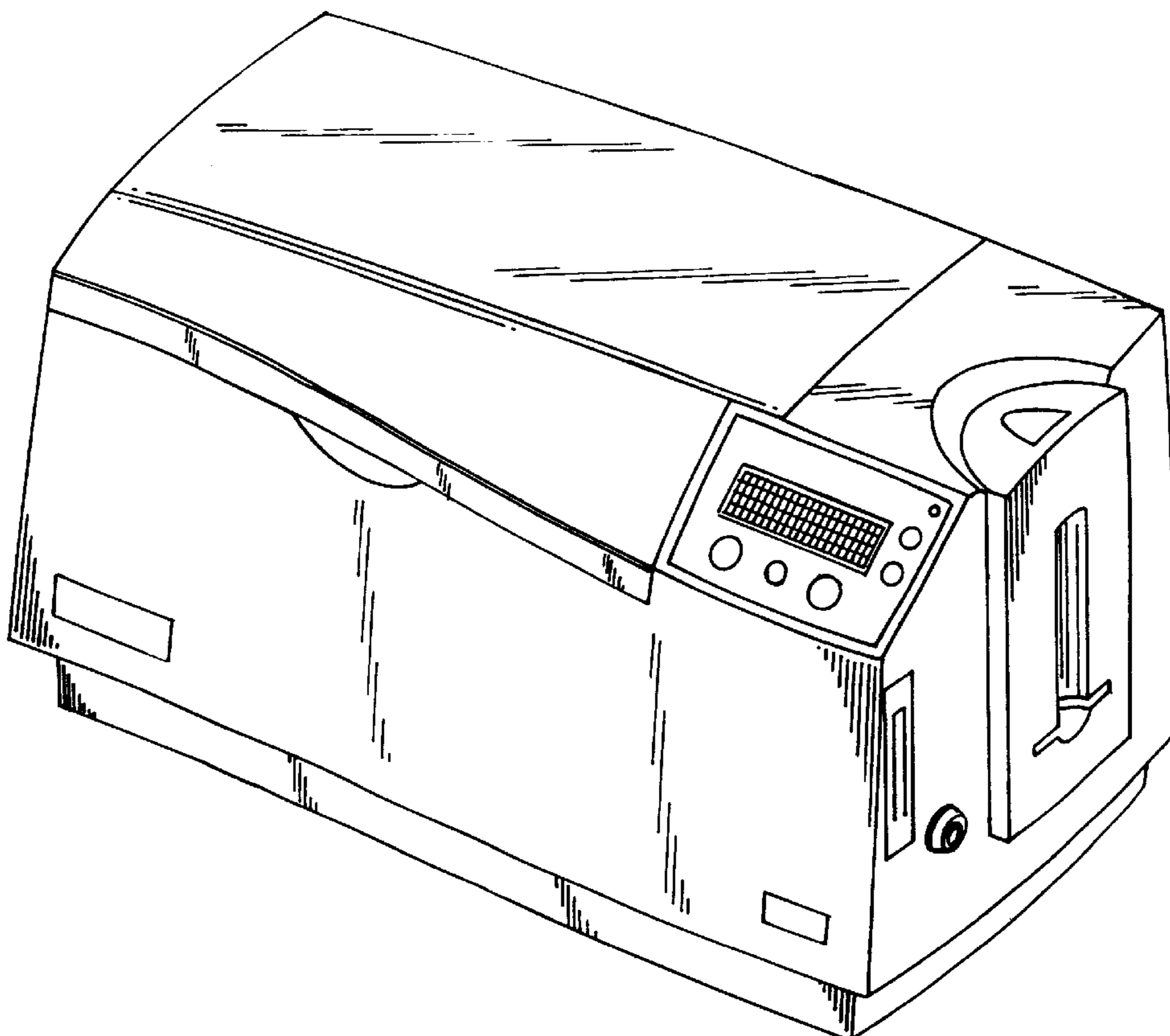
(57) **CLAIM**

The ornamental design for a card printer housing, as shown.

**DESCRIPTION**

- FIG. 1 is a front perspective view of a card printer housing embodying our new design;
- FIG. 2 is a top plan view thereof;
- FIG. 3 is a front elevational view thereof;
- FIG. 4 is a right end elevational view thereof;
- FIG. 5 is a left end elevational view thereof;
- FIG. 6 is a rear view thereof; and,
- FIG. 7 is a bottom plan view thereof.

**1 Claim, 7 Drawing Sheets**



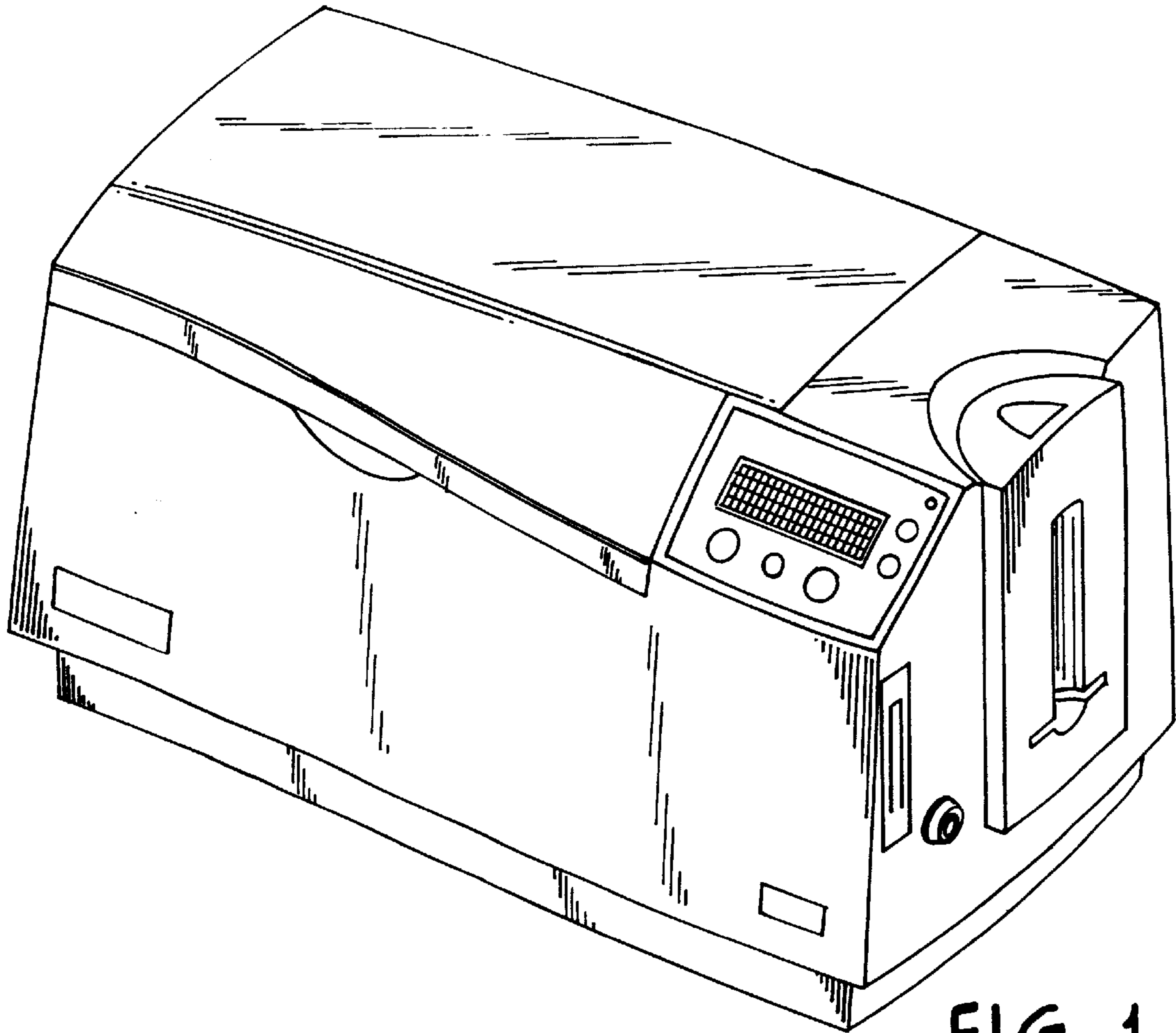


FIG. 1

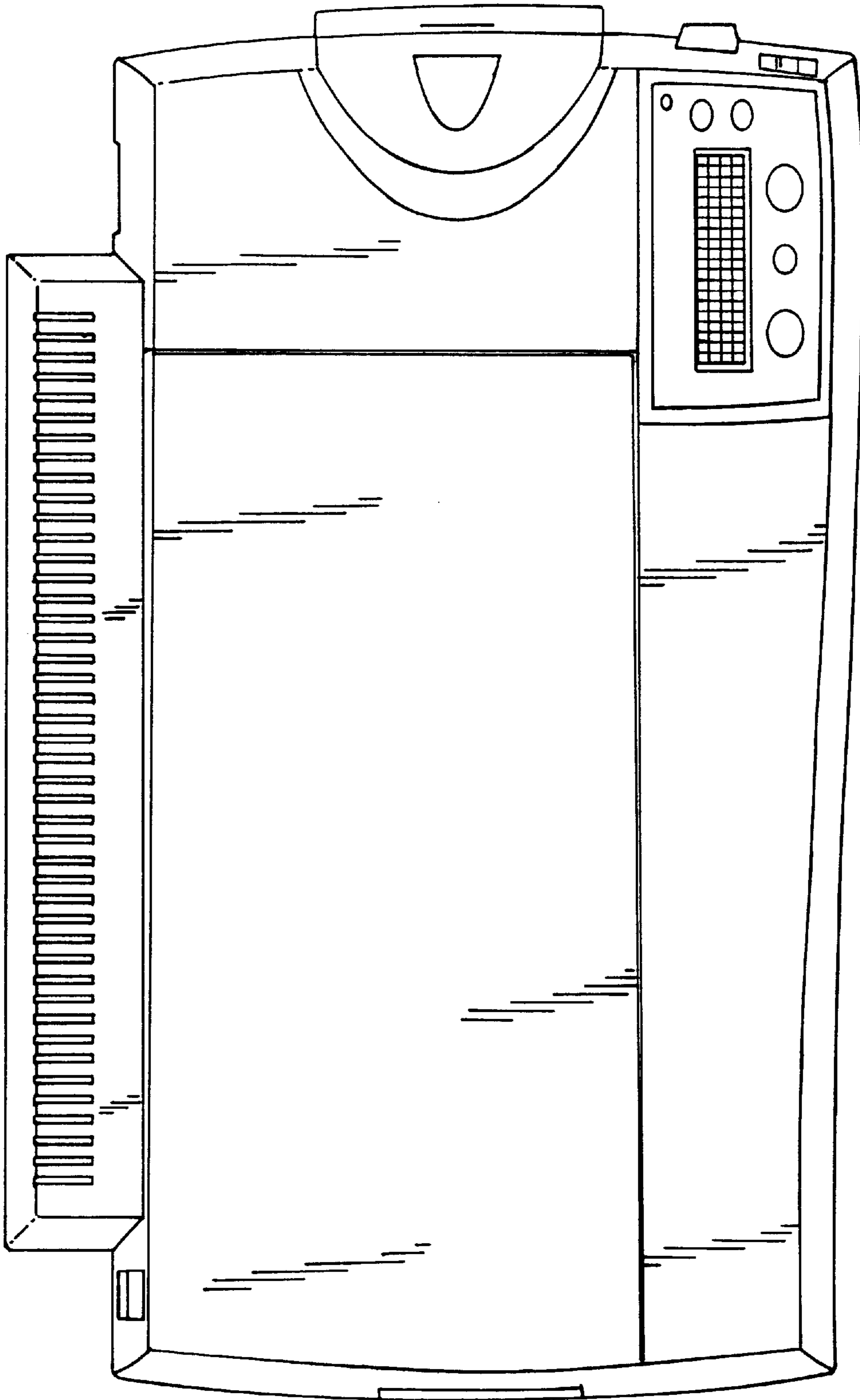
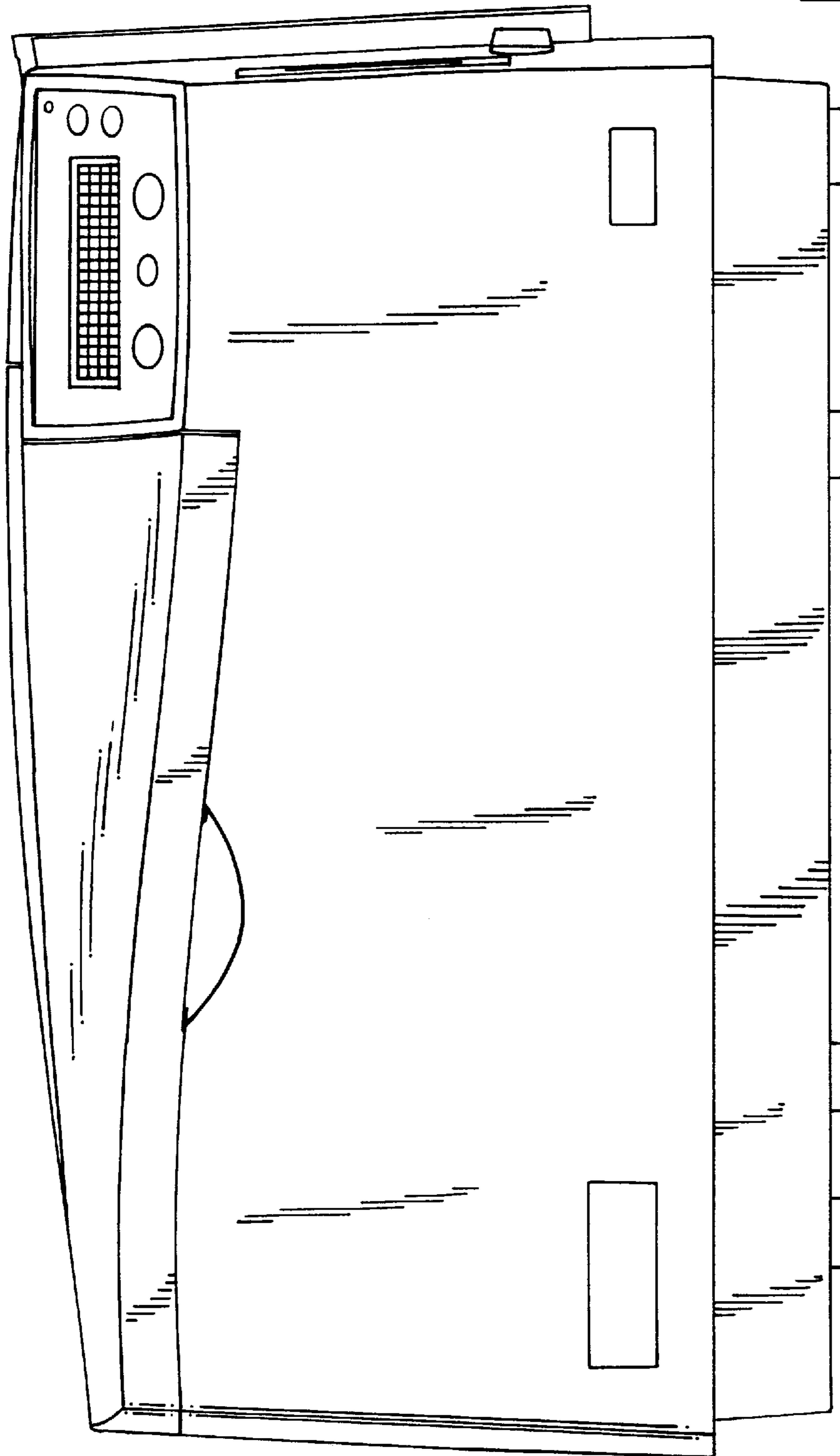


FIG. 2

FIG. 3



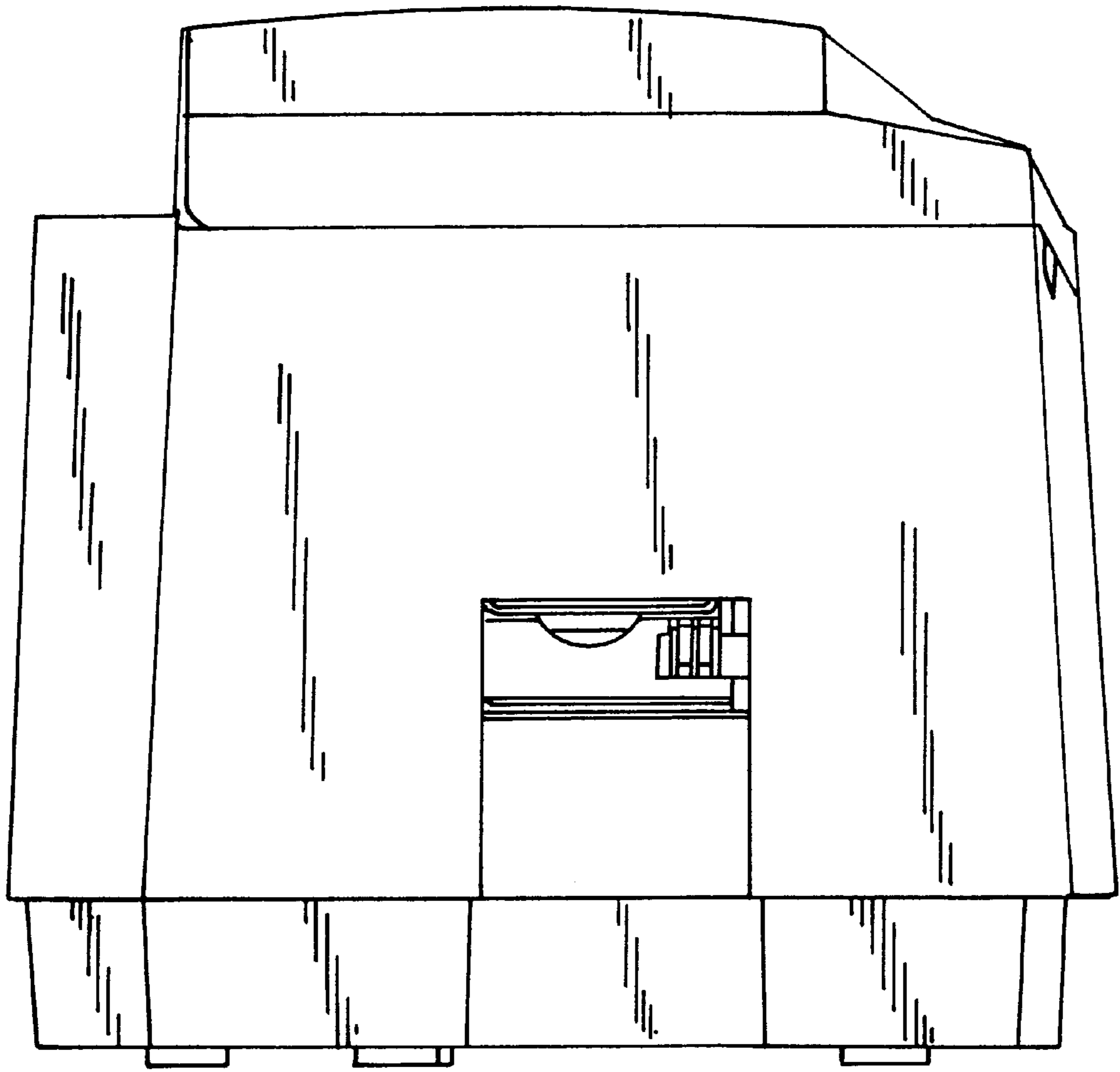


FIG. 4

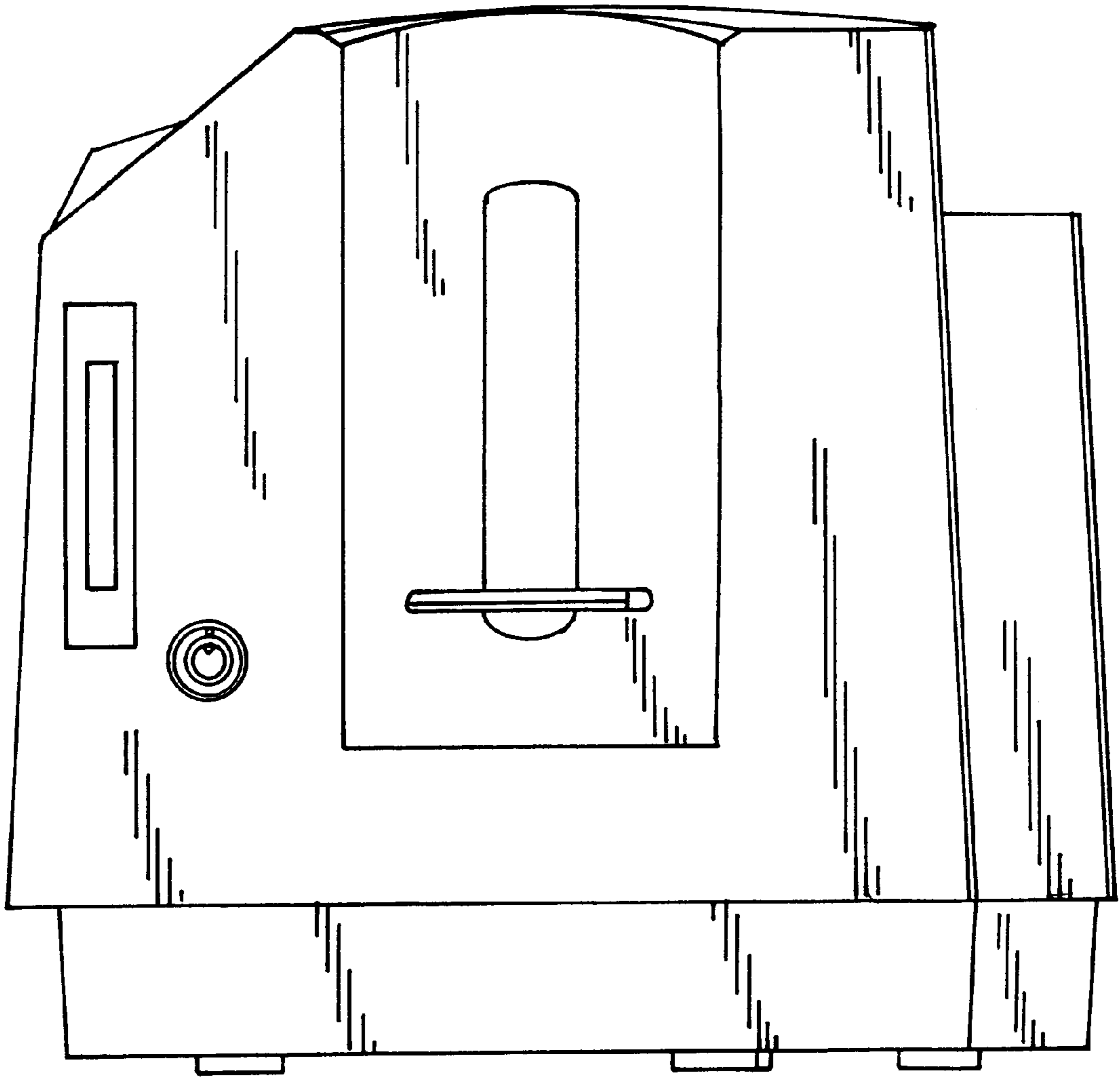


FIG. 5

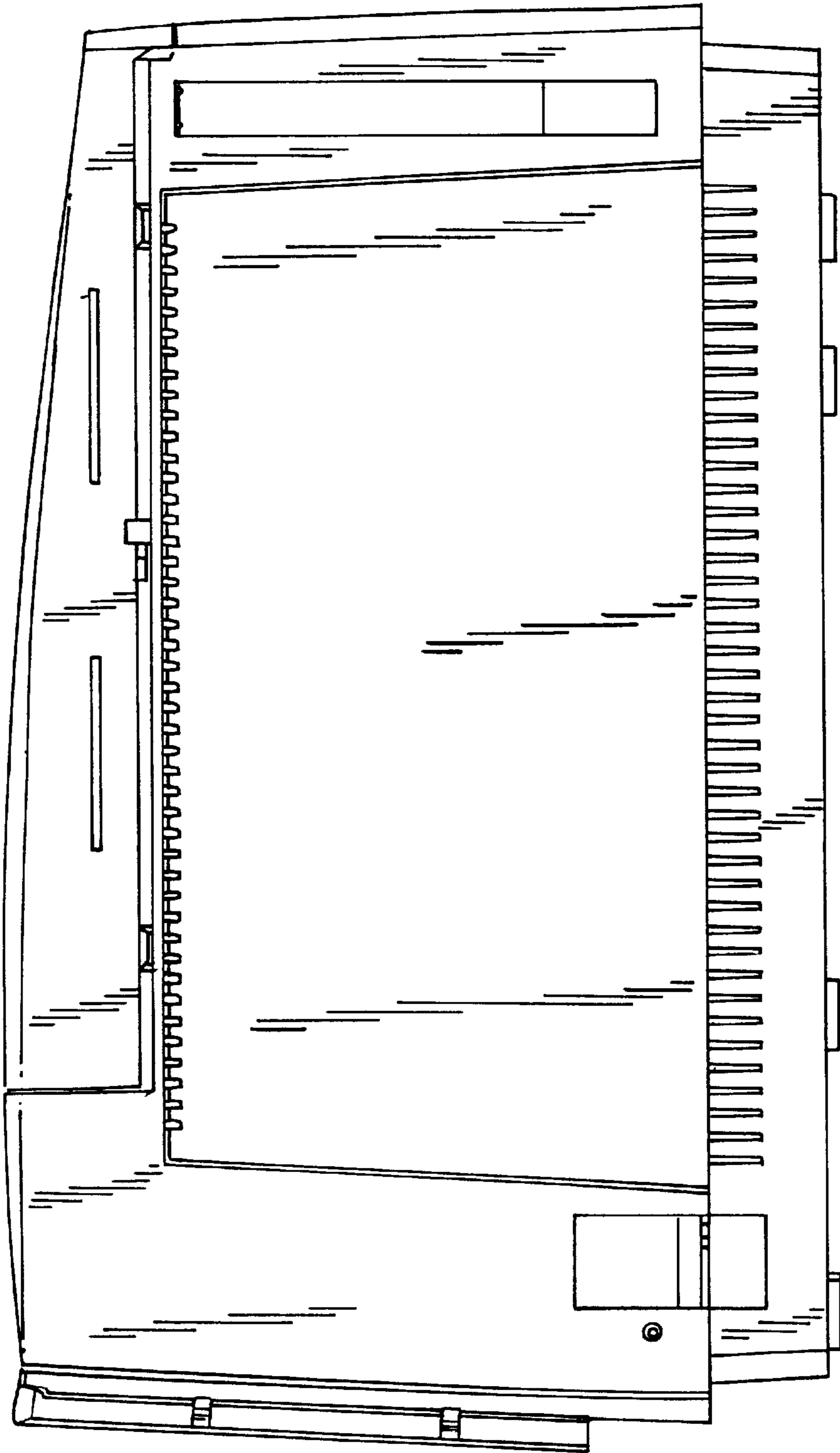


FIG. 6

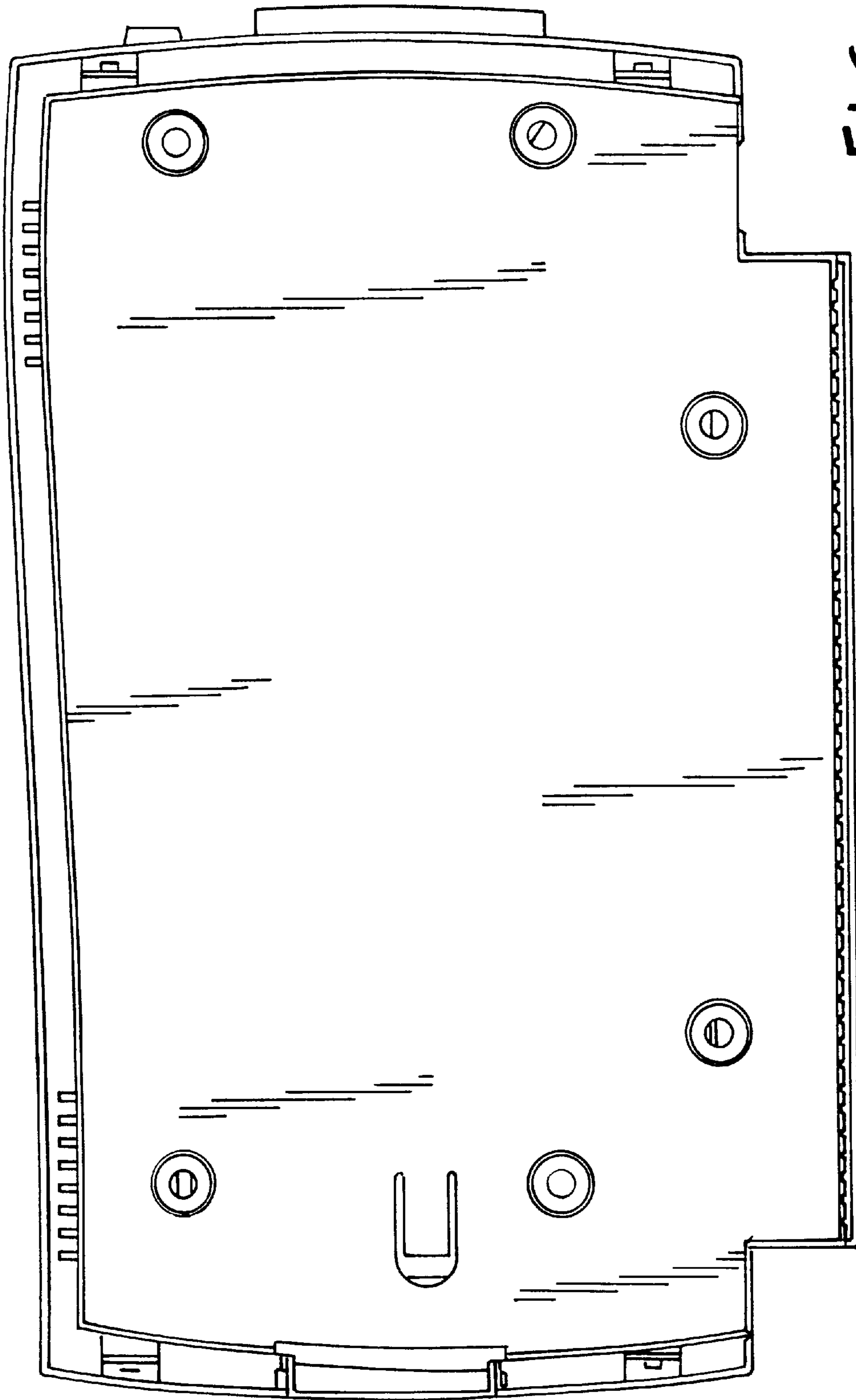


FIG. 7