



US00D446542B1

(12) **United States Design Patent**
Suto

(10) **Patent No.:** **US D446,542 S**

(45) **Date of Patent:** **** Aug. 14, 2001**

(54) **STAMP RECEIVER**

(75) Inventor: **Kaoru Suto**, Nagoya (JP)
(73) Assignee: **Shachihata Inc.**, Nagoya (JP)
(**) Term: **14 Years**

(21) Appl. No.: **29/120,916**
(22) Filed: **Mar. 29, 2000**

(30) **Foreign Application Priority Data**

Oct. 1, 1999 (JP) 11-26790

(51) **LOC (7) Cl.** **19-02**
(52) **U.S. Cl.** **D18/18**
(58) **Field of Search** D18/14-18; D19/70;
118/264, 268; 101/103, 125, 327, 333,
334, 368, 371-373, 376, 405, 406

(56) **References Cited**

U.S. PATENT DOCUMENTS

D. 35,676 * 2/1902 Eustis .
D. 408,052 4/1999 Hayashi .
1,342,824 * 8/1920 Pratt .
1,421,952 * 4/1922 Kee et al. .

FOREIGN PATENT DOCUMENTS

1022031 7/1988 (JP) .
853056 8/1992 (JP) .

OTHER PUBLICATIONS

Guernsey Office Products' 2001 General Line catalog©
2000, p. 1000, Item "D"—XpeDater w/base.*
Millers Office Products catalog© 1998 p. 928, Item "H"—
XpeDater Stamp Base.*

* cited by examiner

Primary Examiner—Alan P. Doulgas

Assistant Examiner—Clare E. Heflin

(74) *Attorney, Agent, or Firm*—Jacobson Holman, PLLC

(57) **CLAIM**

The ornamental design for a stamp receiver, as shown and
described.

DESCRIPTION

FIG. 1 is a perspective view of a stamp receiver taken from
front and above;
FIG. 2 is a perspective view of the stamp receiver taken from
front and under;
FIG. 3 is a front view of the stamp receiver and a rear view
of the stamp receiver is the same as the front view;
FIG. 4 is a right side view of the stamp receiver and a left
side view is the same as the right side view;
FIG. 5 is a plan view of the stamp receiver;
FIG. 6 is a bottom view of the stamp receiver; and,
FIG. 7 is a reference cross section of the stamp receiver in
which a stamp is received.

The broken line showing of the stamp is for illustrative
purposes only and forms no part of the claimed design.

1 Claim, 4 Drawing Sheets

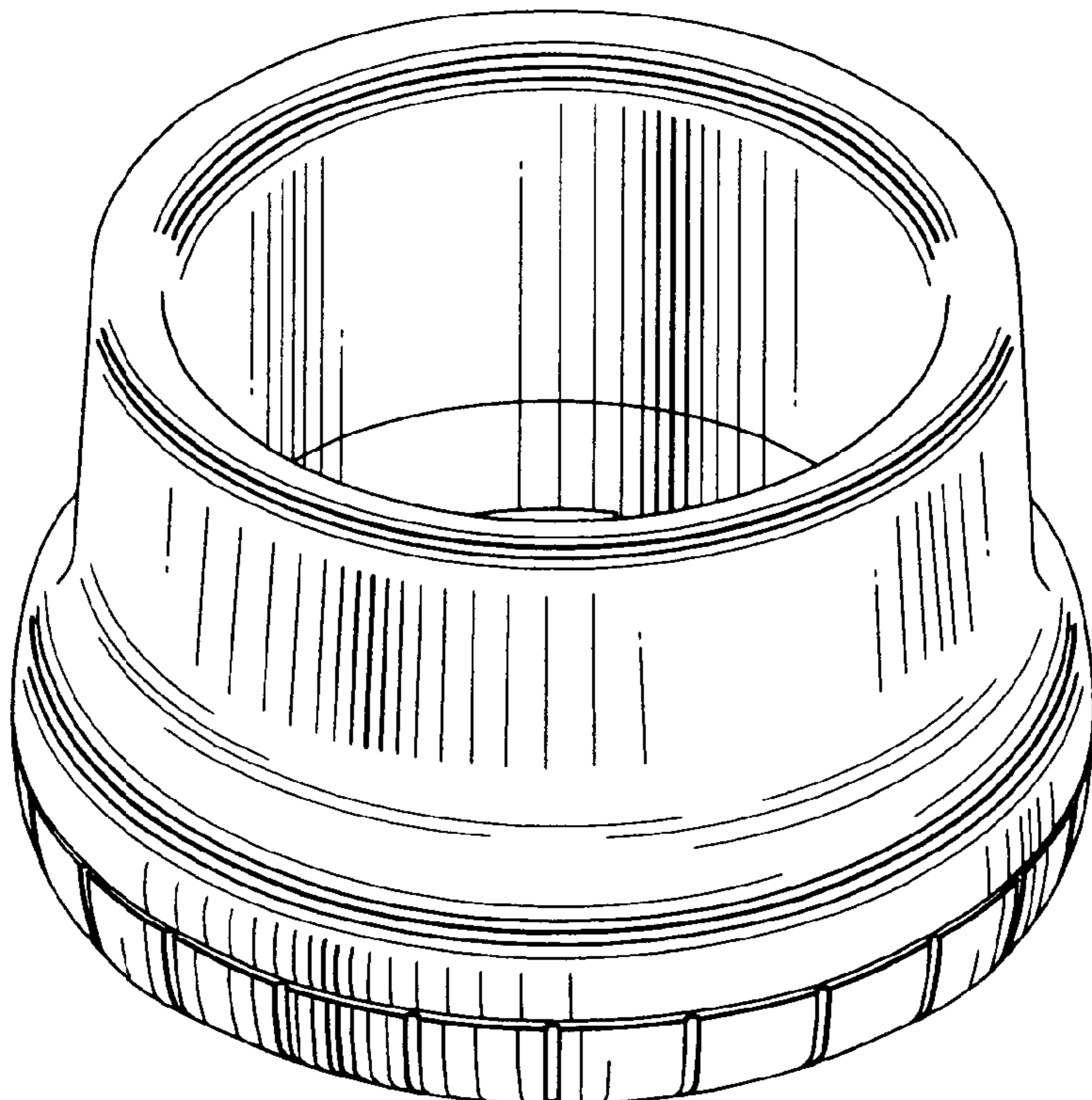


FIG. 1

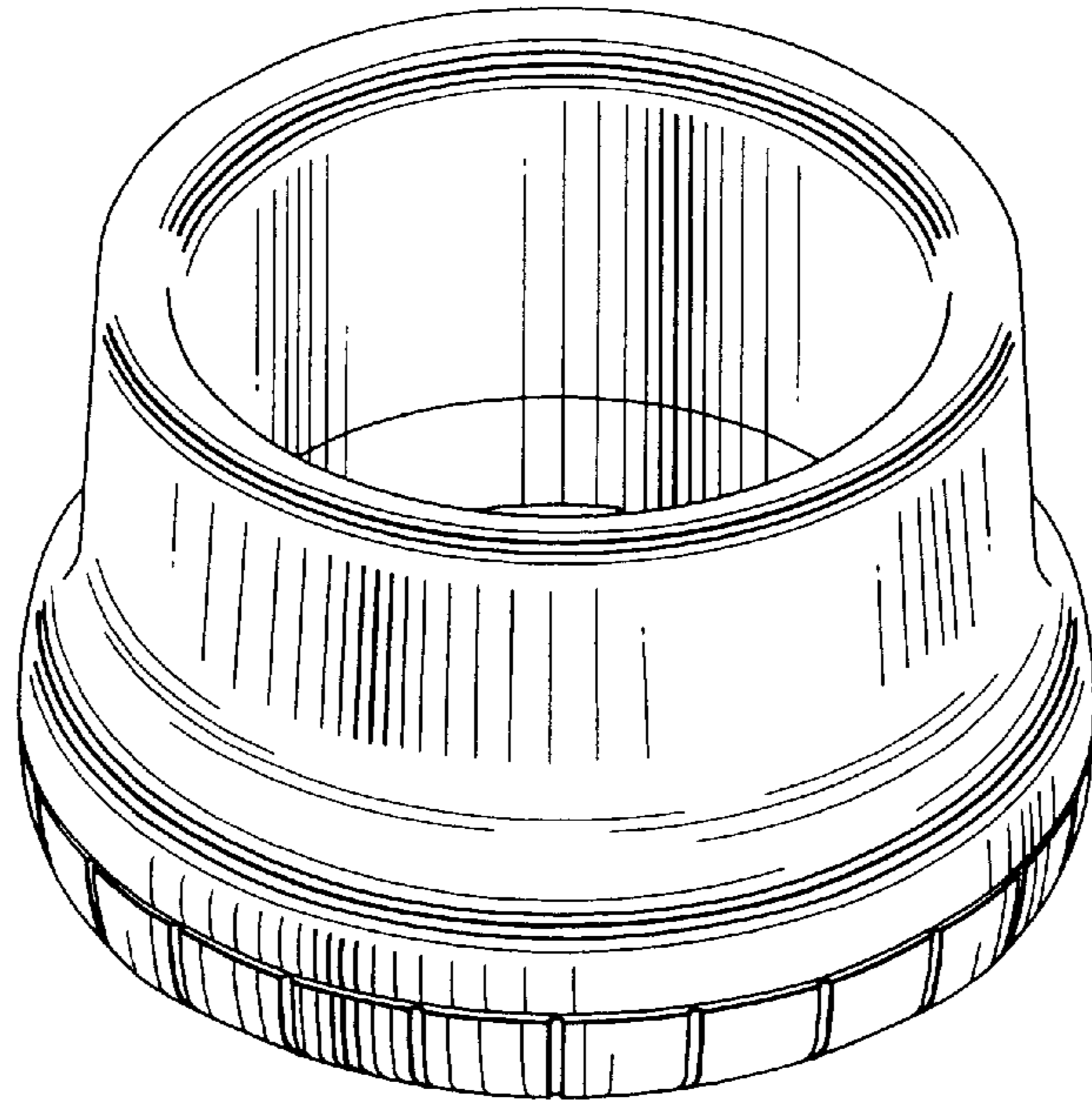


FIG. 2

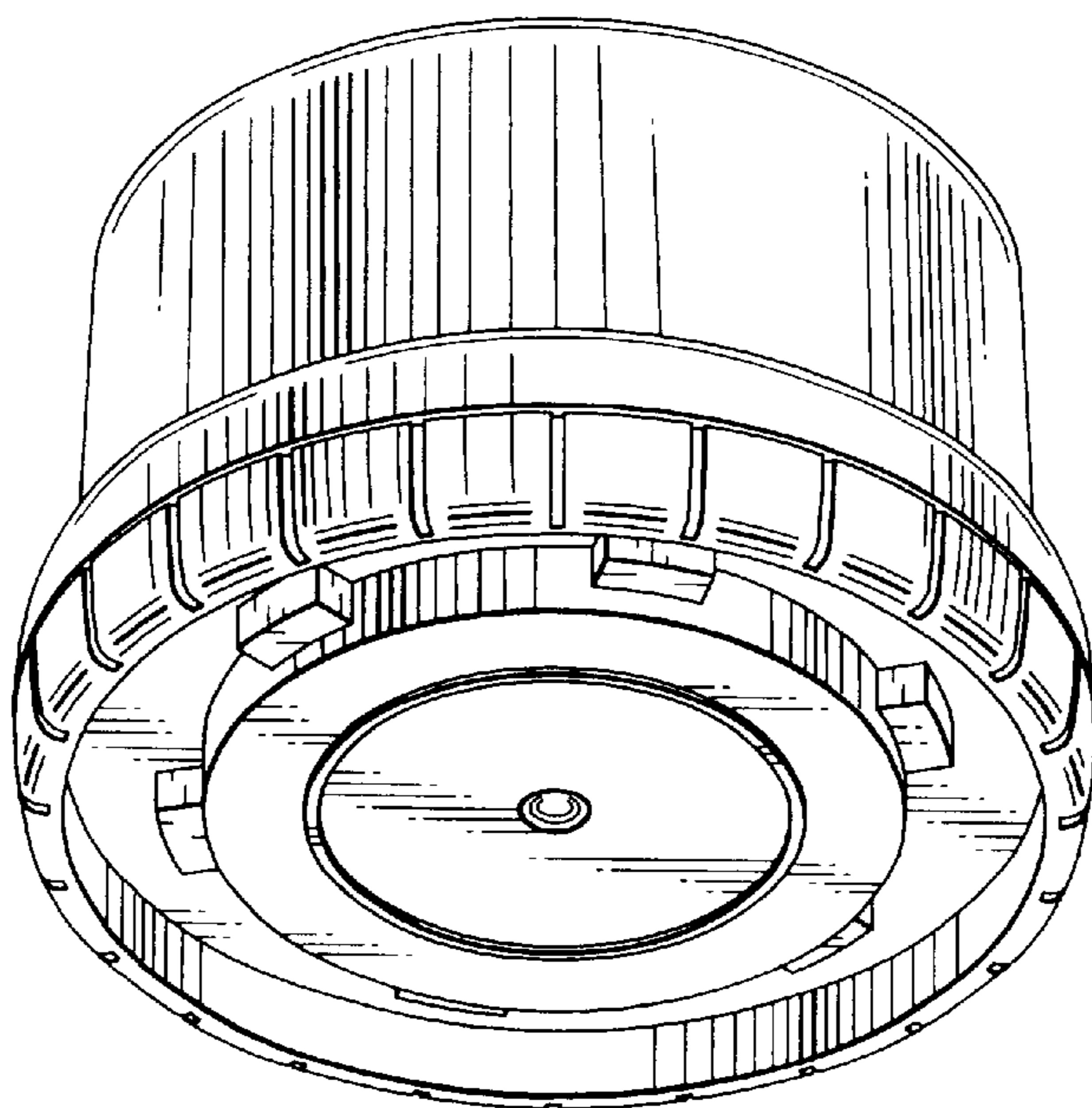


FIG. 3

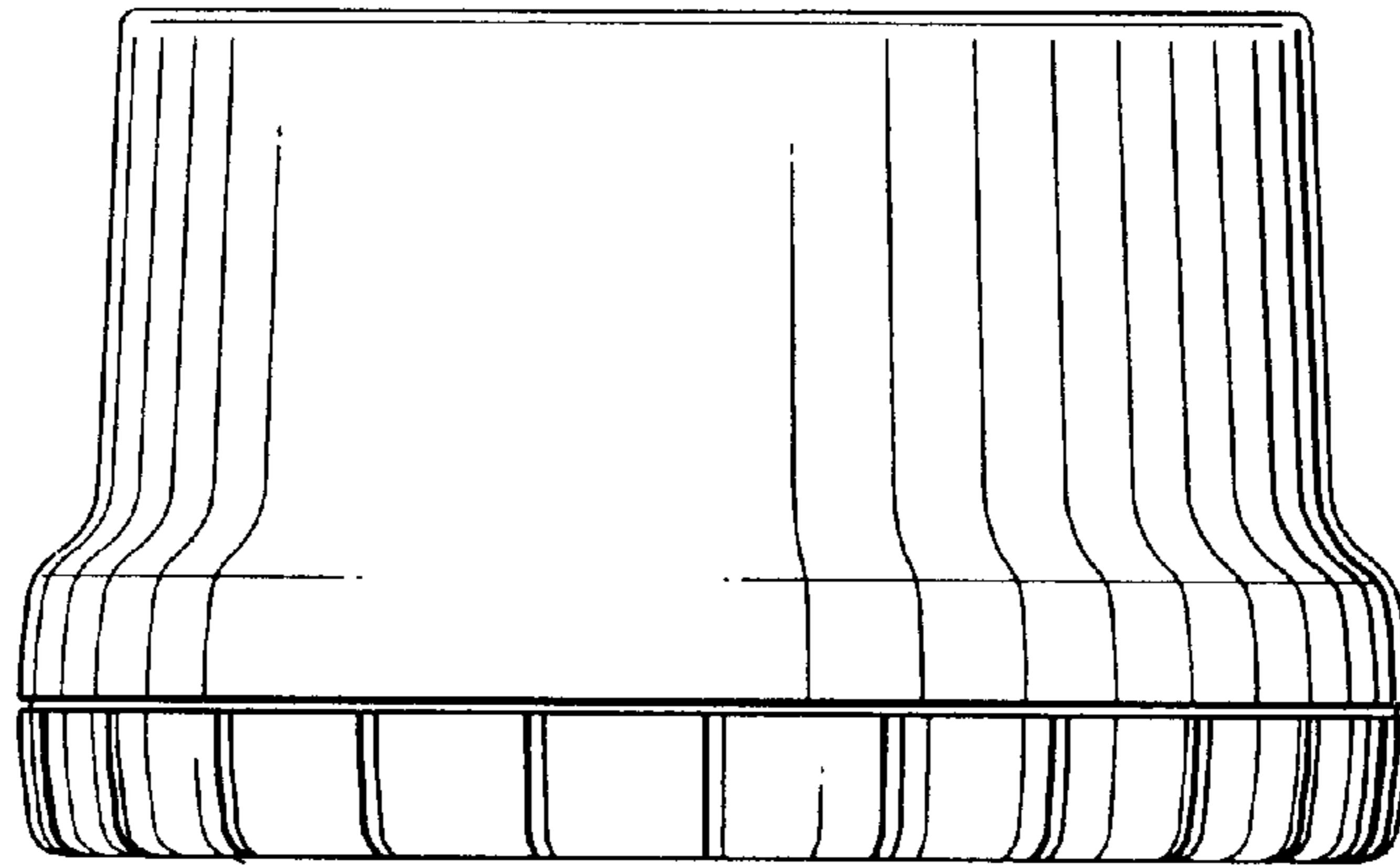


FIG. 4

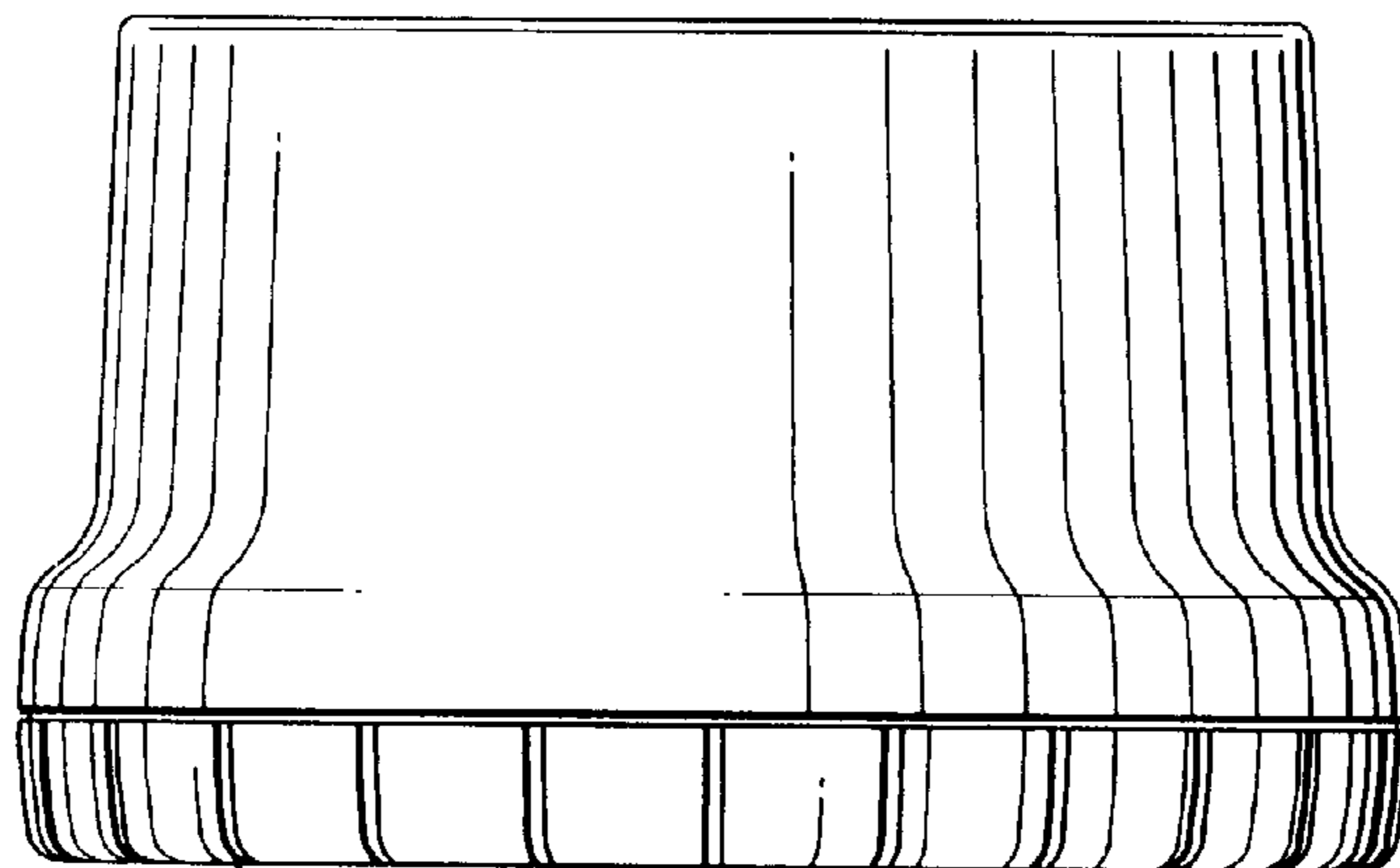


FIG. 5

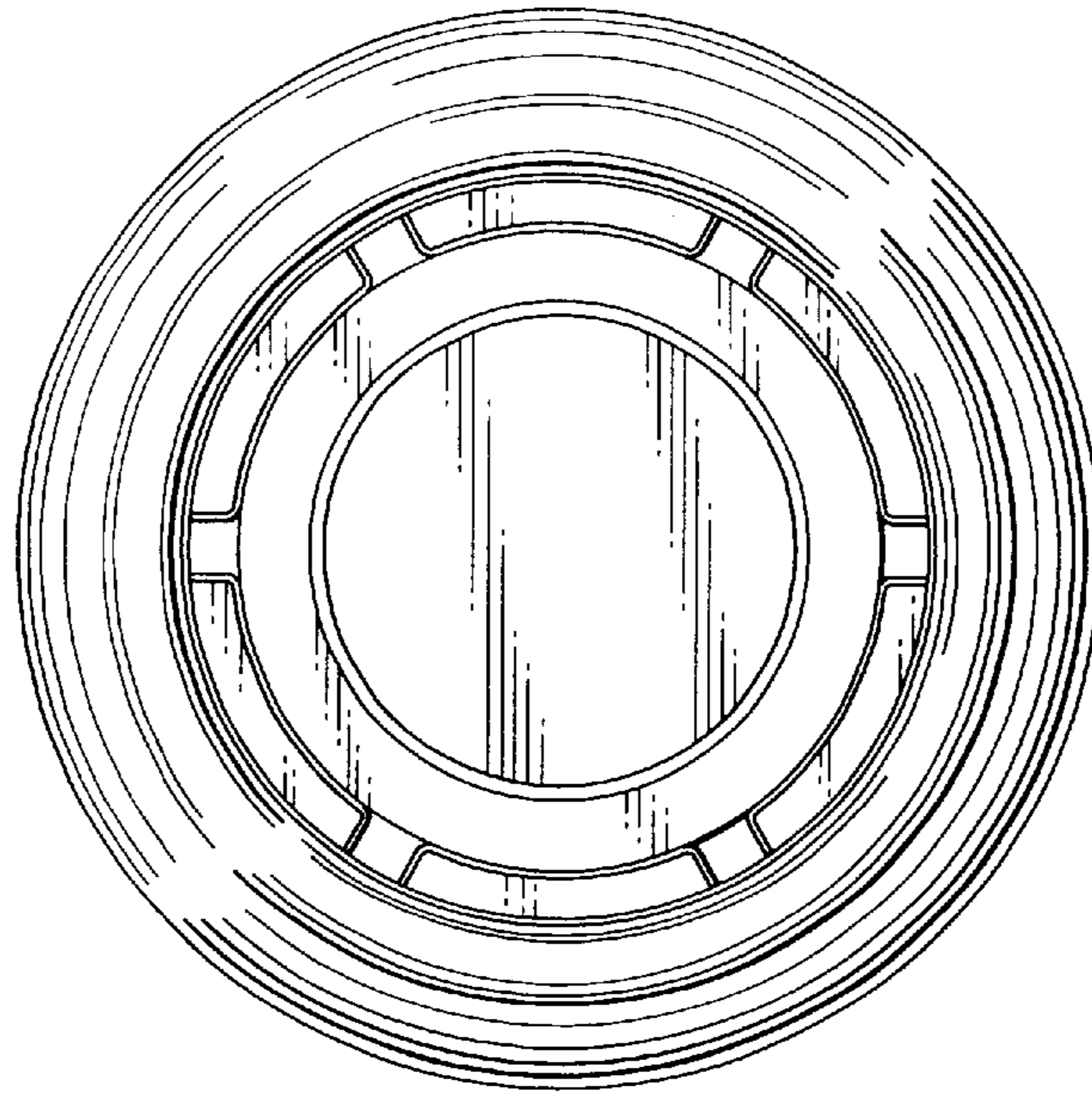


FIG. 6

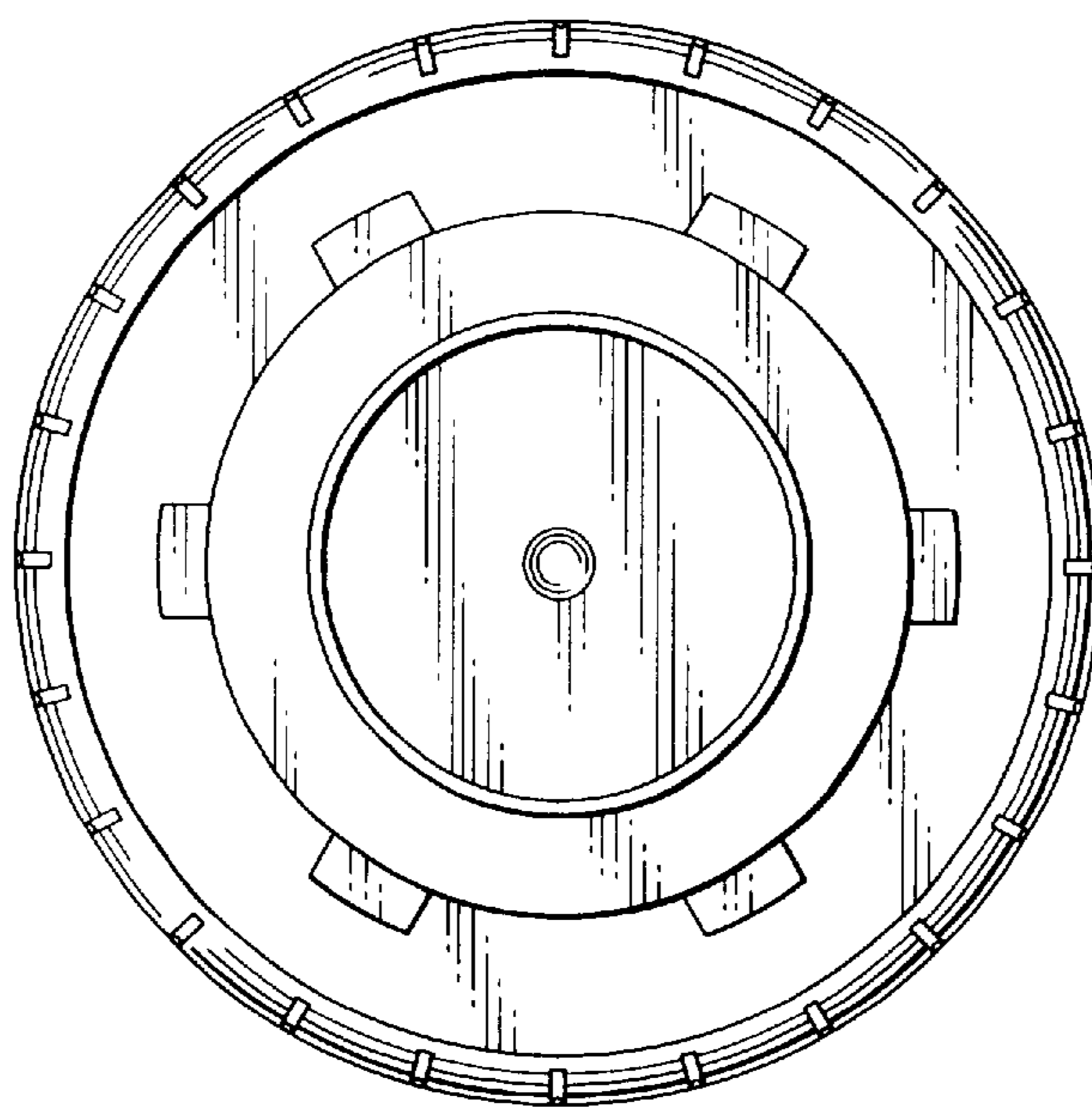


FIG. 7

