



US00D446540B1

(12) **United States Design Patent**
Elliott

(10) **Patent No.:** **US D446,540 S**

(45) **Date of Patent:** **** Aug. 14, 2001**

- (54) **CAPO**
- (76) Inventor: **Phill Elliott**, 7110 Alissa, Rowlett, TX
(US) 75089
- (**) Term: **14 Years**
- (21) Appl. No.: **29/130,418**
- (22) Filed: **Oct. 2, 2000**
- (51) **LOC (7) Cl.** **17-03**
- (52) **U.S. Cl.** **D17/20; 84/318**
- (58) **Field of Search** **D17/20, 21, 99;**
84/317-319

4,793,234 * 12/1988 Geis 84/318

* cited by examiner

Primary Examiner—Adir Aronovich
(74) *Attorney, Agent, or Firm*—Christopher A. Holland;
Robert J. Veal; Burr & Forman LLP

(57) **CLAIM**

The ornamental design for a capo, as shown and described.

DESCRIPTION

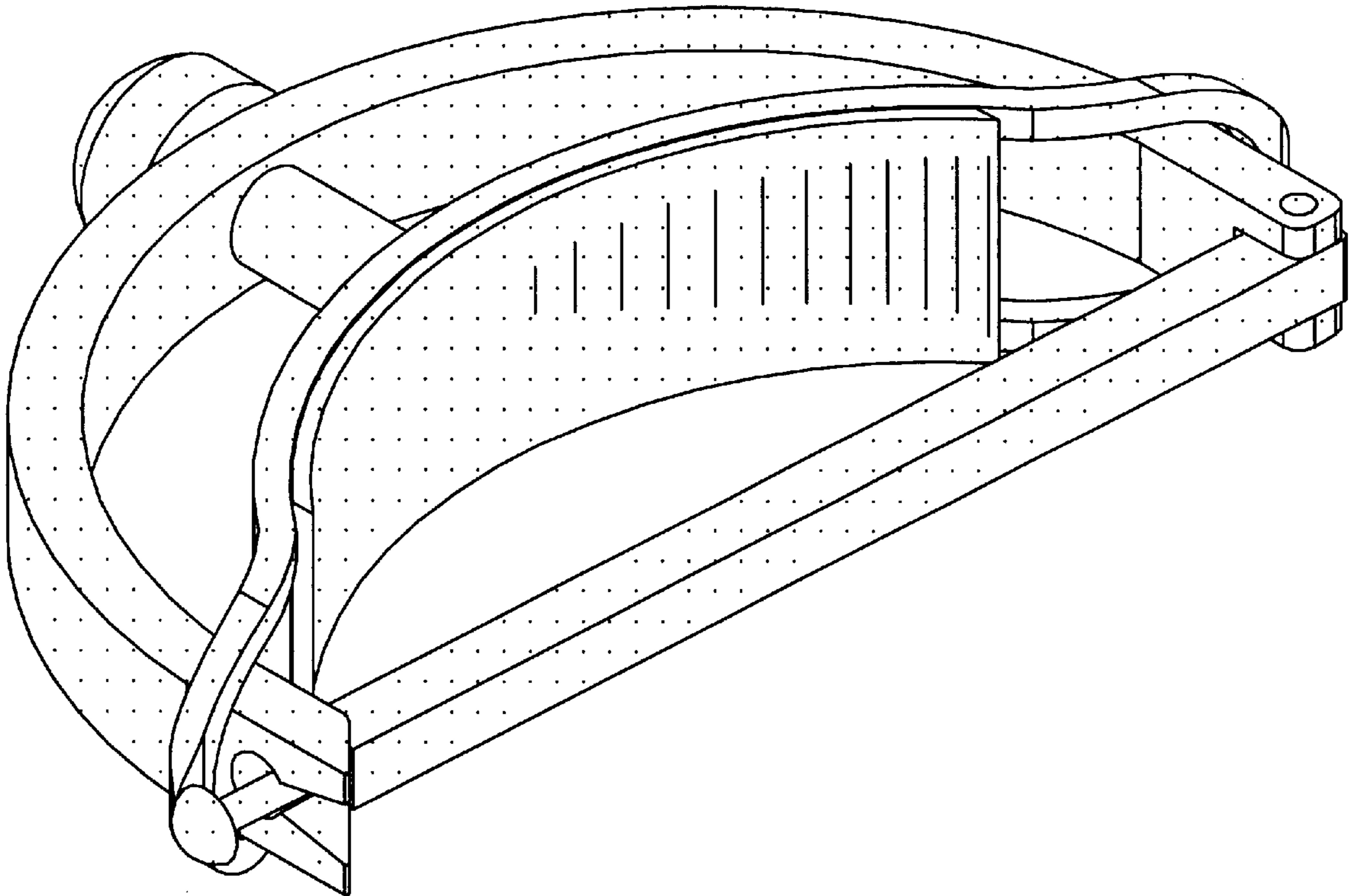
FIG. 1 is a front view of the capo showing my new design;
FIG. 2 is an isometric view with closed arm;
FIG. 3 is an isometric view with opened arm;
FIG. 4 is a top view;
FIG. 5 is a bottom view;
FIG. 6 is a left side view; and,
FIG. 7 is a right side view.

(56) **References Cited**

U.S. PATENT DOCUMENTS

D. 257,988	*	1/1981	Nakamoto	D17/20
3,823,247	*	7/1974	Bauerfeind	84/318
4,048,894	*	9/1977	Myerson et al.	84/318
4,149,443	*	4/1979	Bringe	84/318

1 Claim, 7 Drawing Sheets



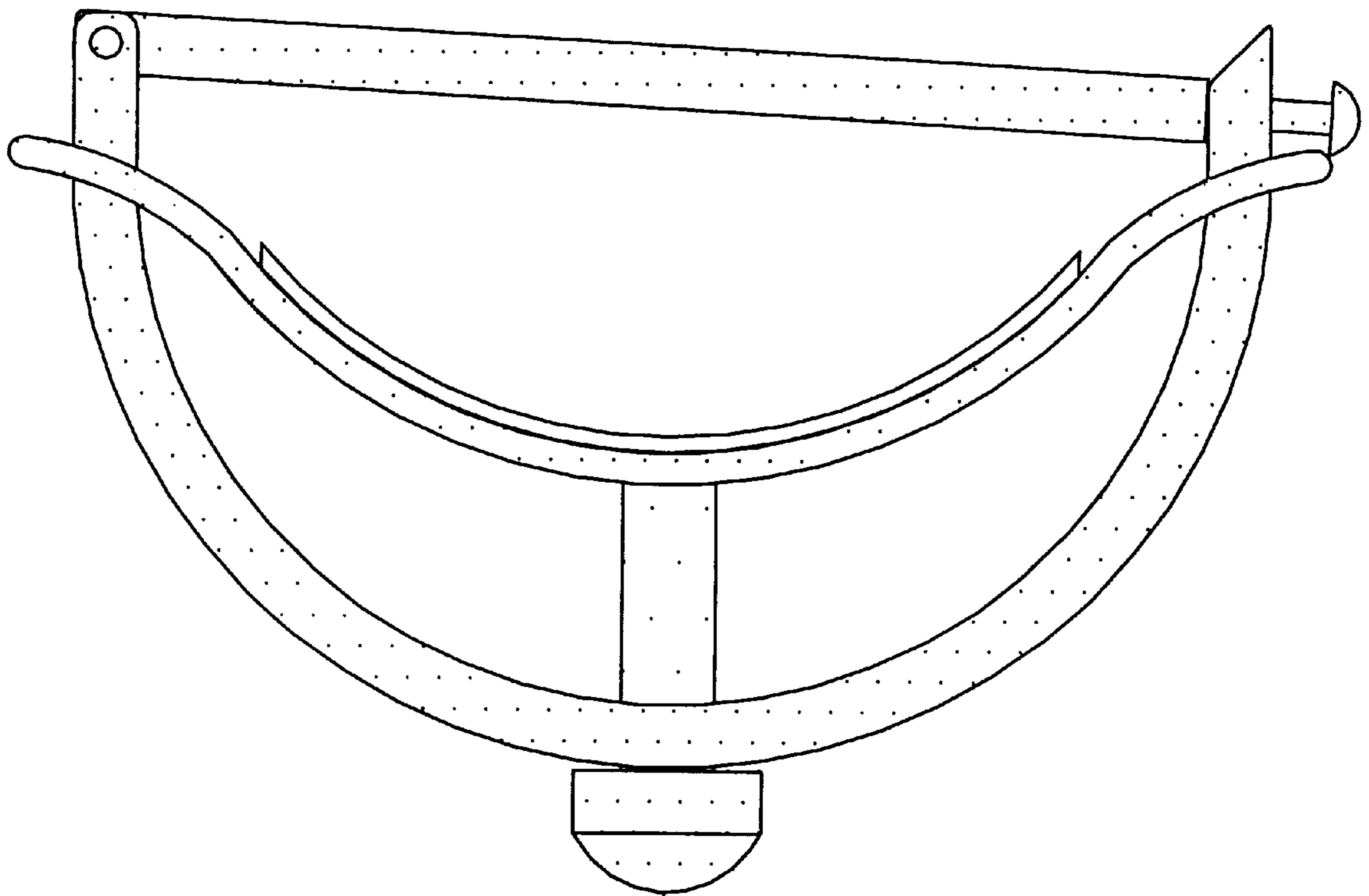


FIG. 1

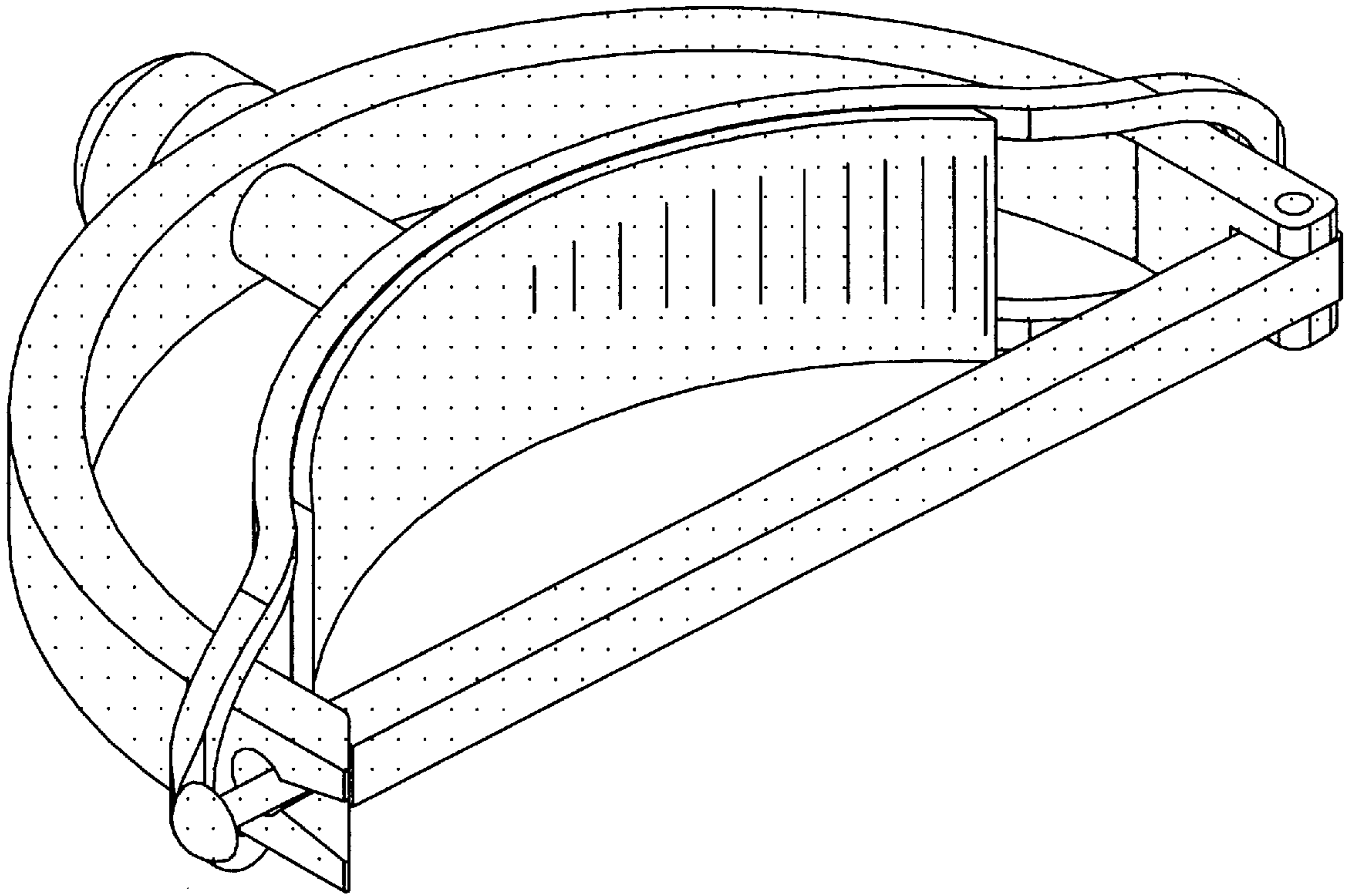


FIG. 2

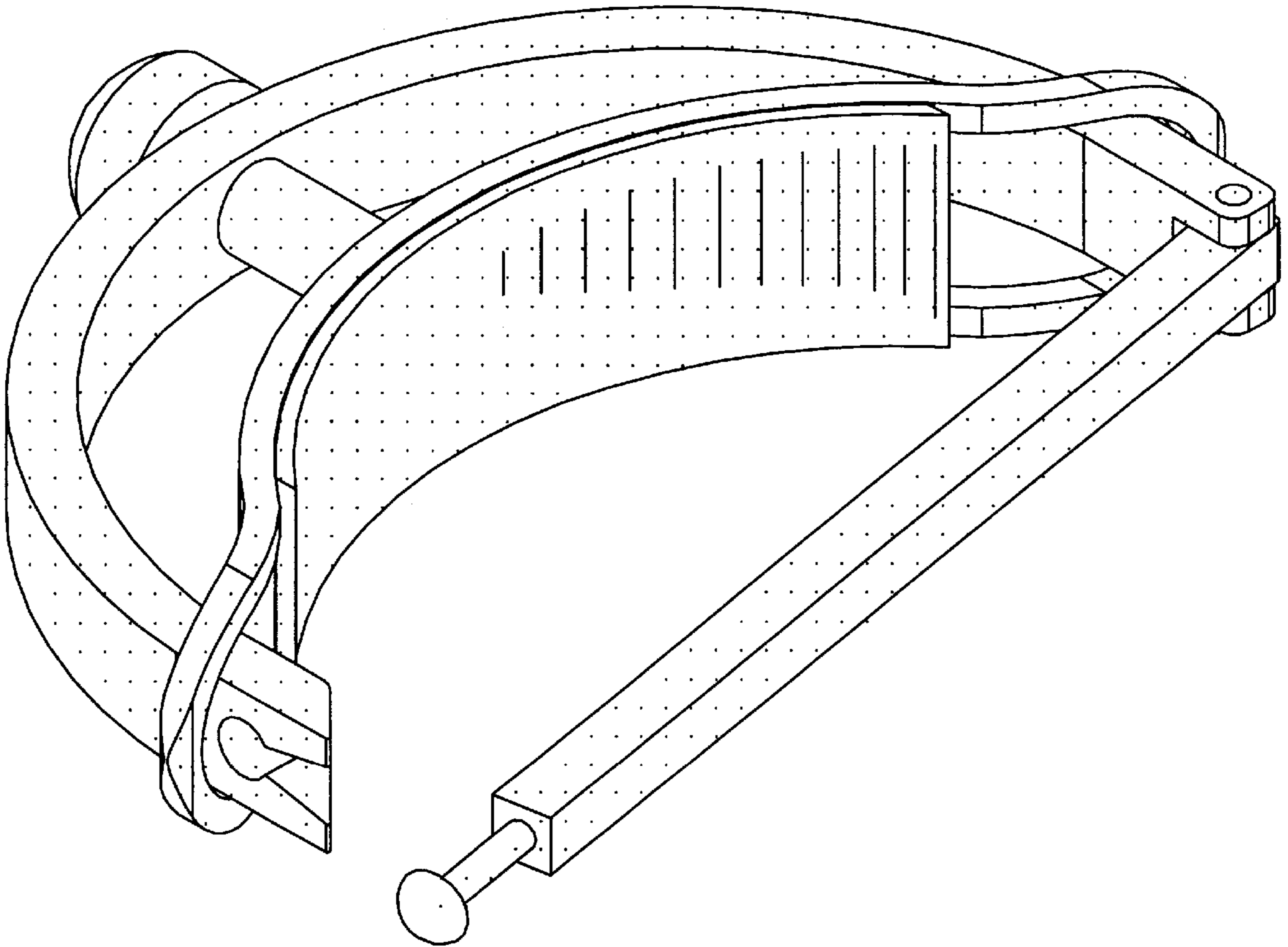


FIG. 3

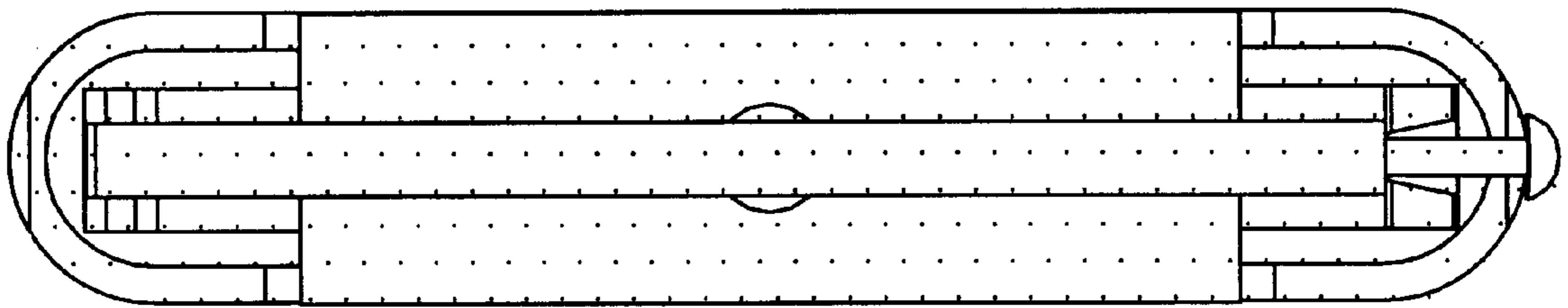


FIG. 4

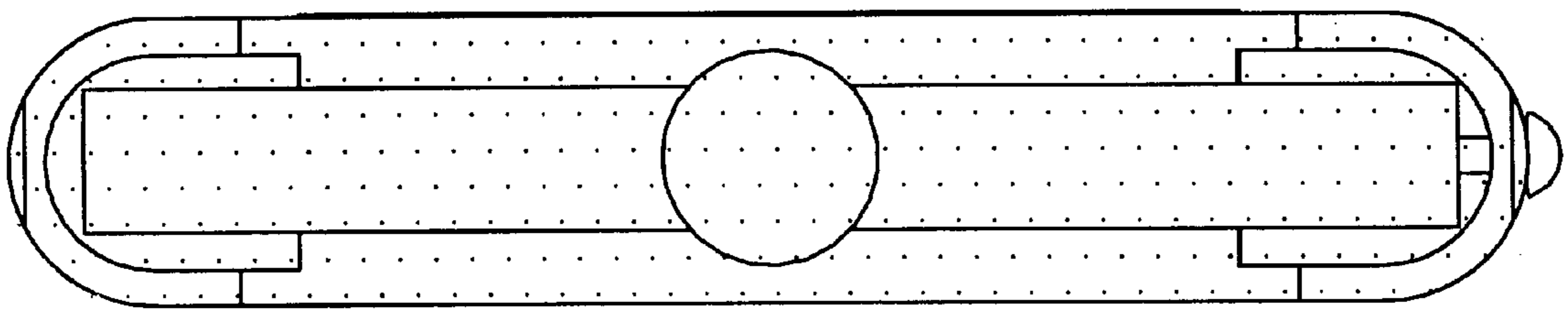


FIG. 5

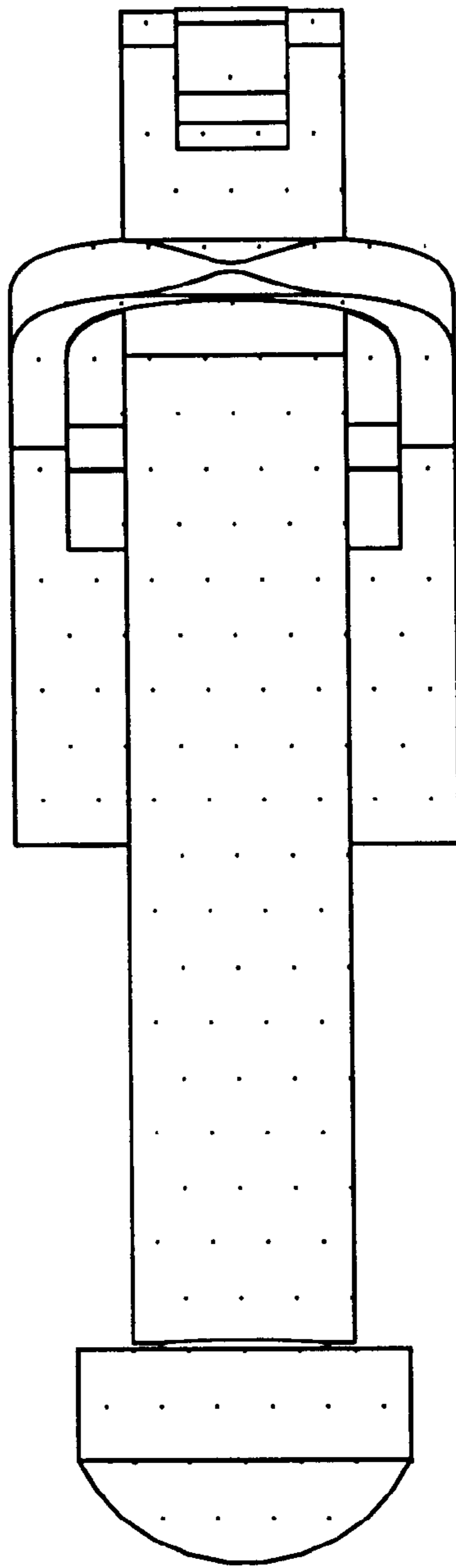


FIG. 6

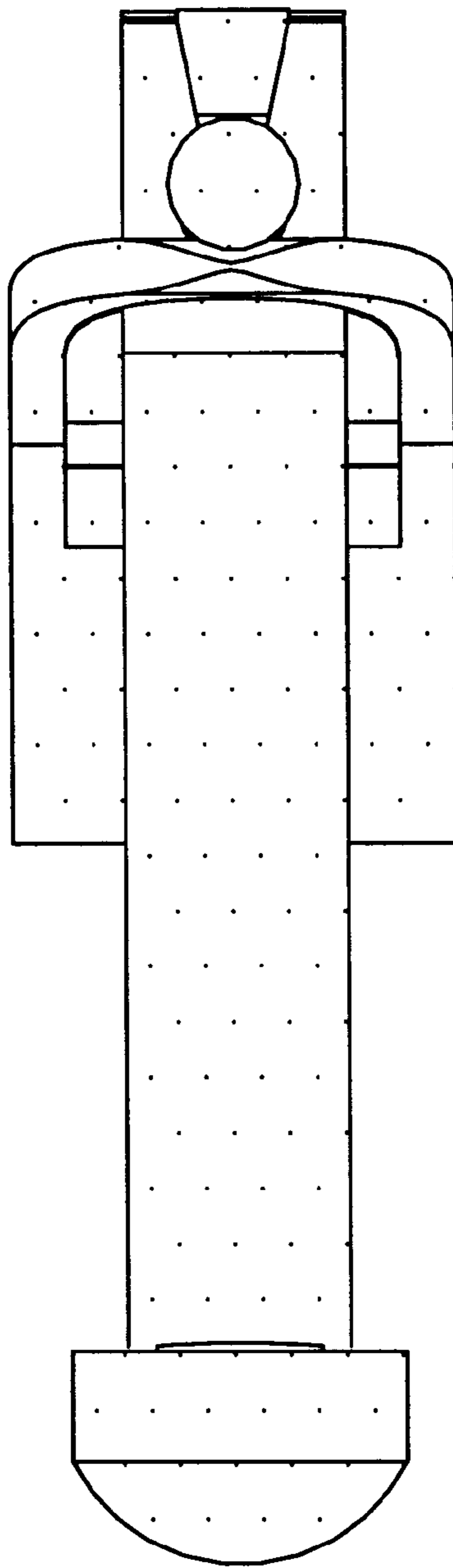


FIG. 7