



US00D446539B1

(12) **United States Design Patent**  
**Gotham, Sr. et al.**

(10) **Patent No.:** **US D446,539 S**

(45) **Date of Patent:** **\*\* Aug. 14, 2001**

(54) **DIGITAL FILM SCANNER**

5,973,729 \* 10/1999 Washizu ..... 348/96

6,078,409 \* 6/2000 Kunishige ..... 358/474

6,178,016 \* 1/2001 Ashe et al. .... 358/474

(75) Inventors: **David R. Gotham, Sr.; Alex B. Vayntrub; Richard L. Hill**, all of Rochester, NY (US)

\* cited by examiner

(73) Assignee: **Eastman Kodak Company**, Rochester, NY (US)

*Primary Examiner*—Adir Aronovich

(74) *Attorney, Agent, or Firm*—Roland R. Schindler, II

(\*\*) Term: **14 Years**

(57) **CLAIM**

The ornamental design for a digital film scanner, as shown and described.

(21) Appl. No.: **29/129,092**

(22) Filed: **Sep. 7, 2000**

**DESCRIPTION**

(51) **LOC (7) Cl.** ..... **16-04**

FIG. 1 is a front, top, right side perspective view of a digital film scanner showing our new design;

(52) **U.S. Cl.** ..... **D16/246; D14/421**

FIG. 2 is a back, bottom, left perspective view thereof;

(58) **Field of Search** ..... D14/421; D16/246–250; D18/36–39; 348/96–98; 355/64, 65; 358/408, 474, 497

FIG. 3 is a front elevation view thereof;

FIG. 4 is a back elevation view thereof;

FIG. 5 is a top plan view thereof;

FIG. 6 is a bottom plan view thereof;

FIG. 7 is a right elevation view thereof; and,

FIG. 8 is a left elevation view thereof.

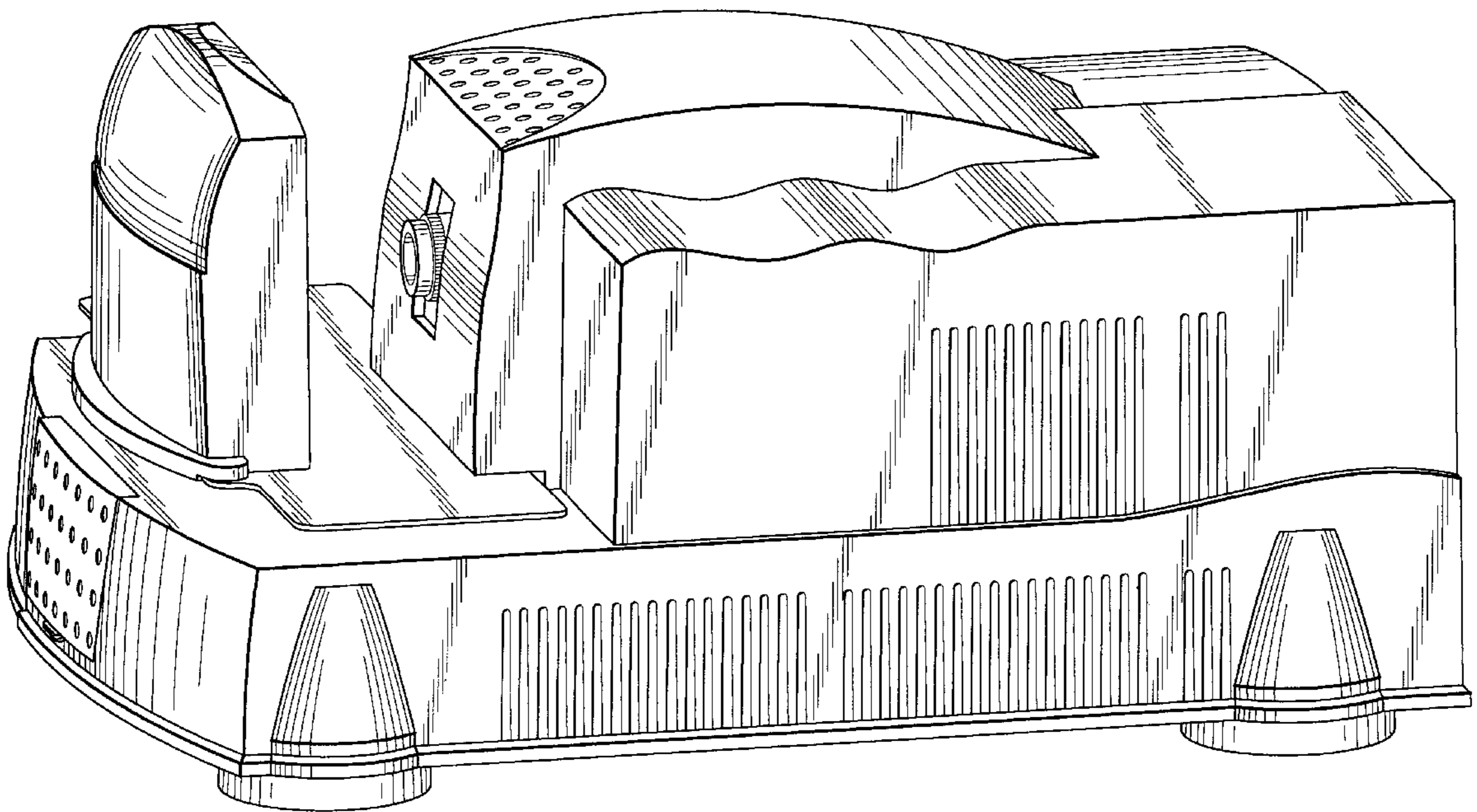
(56) **References Cited**

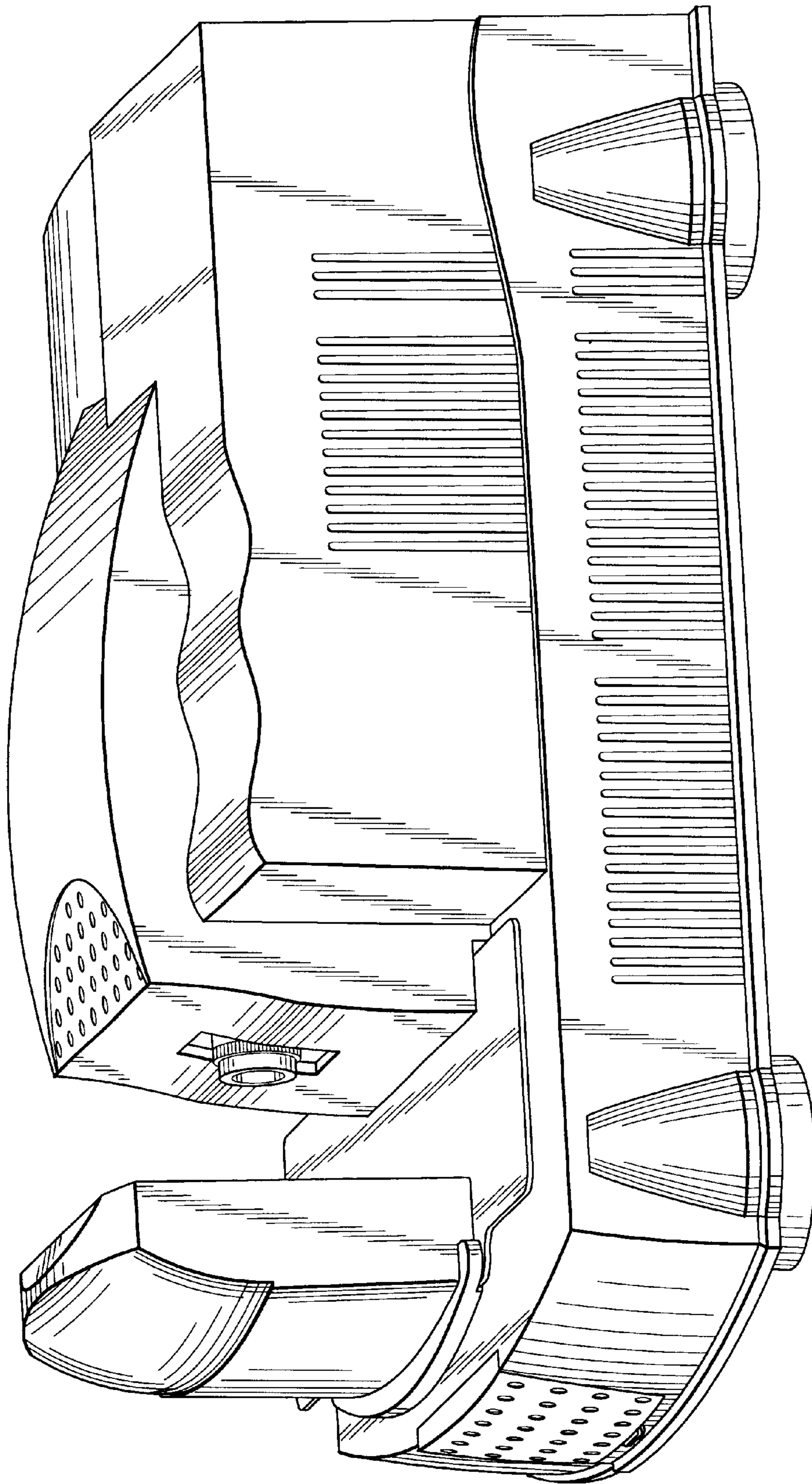
**U.S. PATENT DOCUMENTS**

D. 386,776 \* 11/1997 Hirabayashi ..... D16/246

D. 412,339 \* 7/1999 Sakata ..... D16/246

**1 Claim, 8 Drawing Sheets**





*FIG. 1*

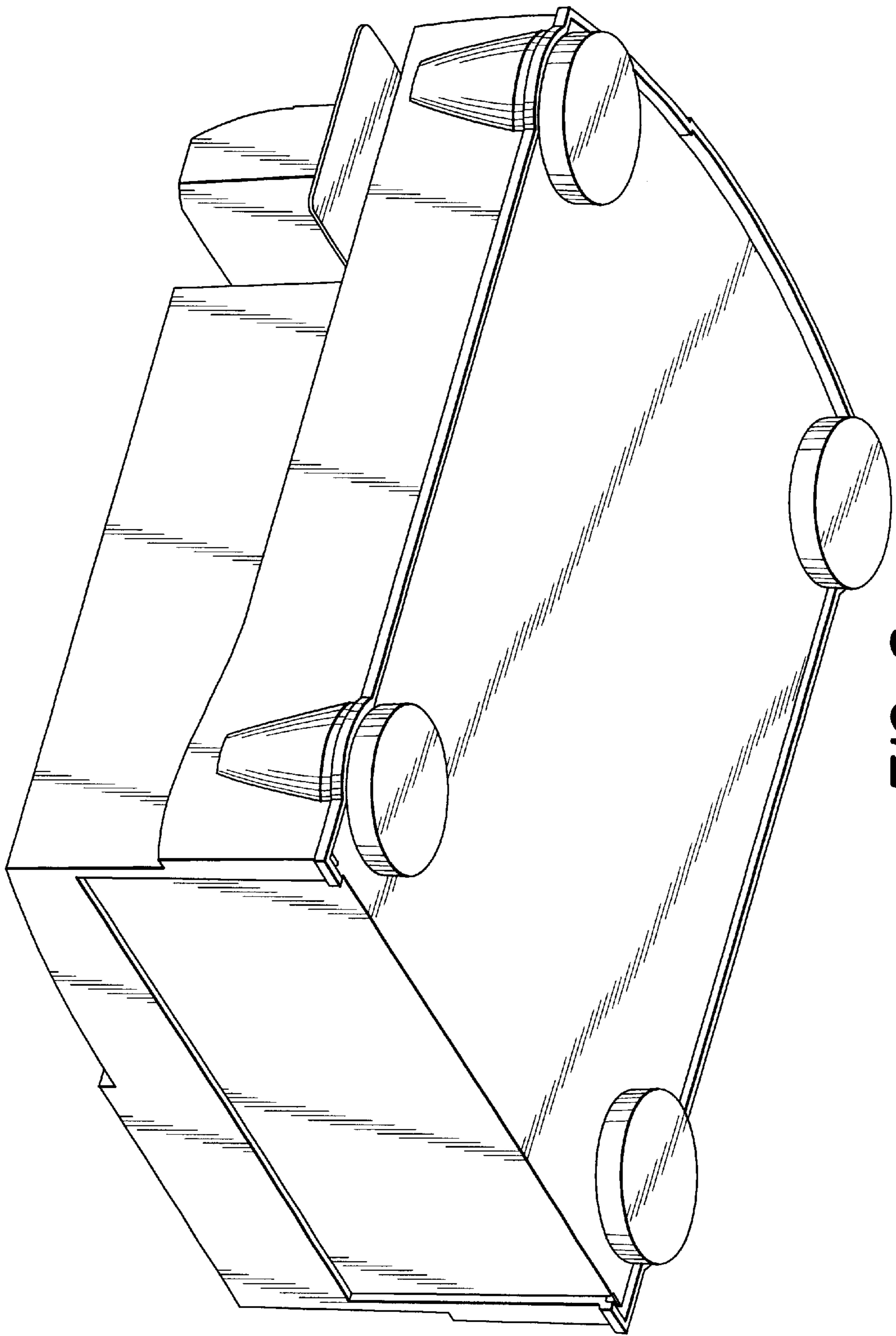


FIG. 2

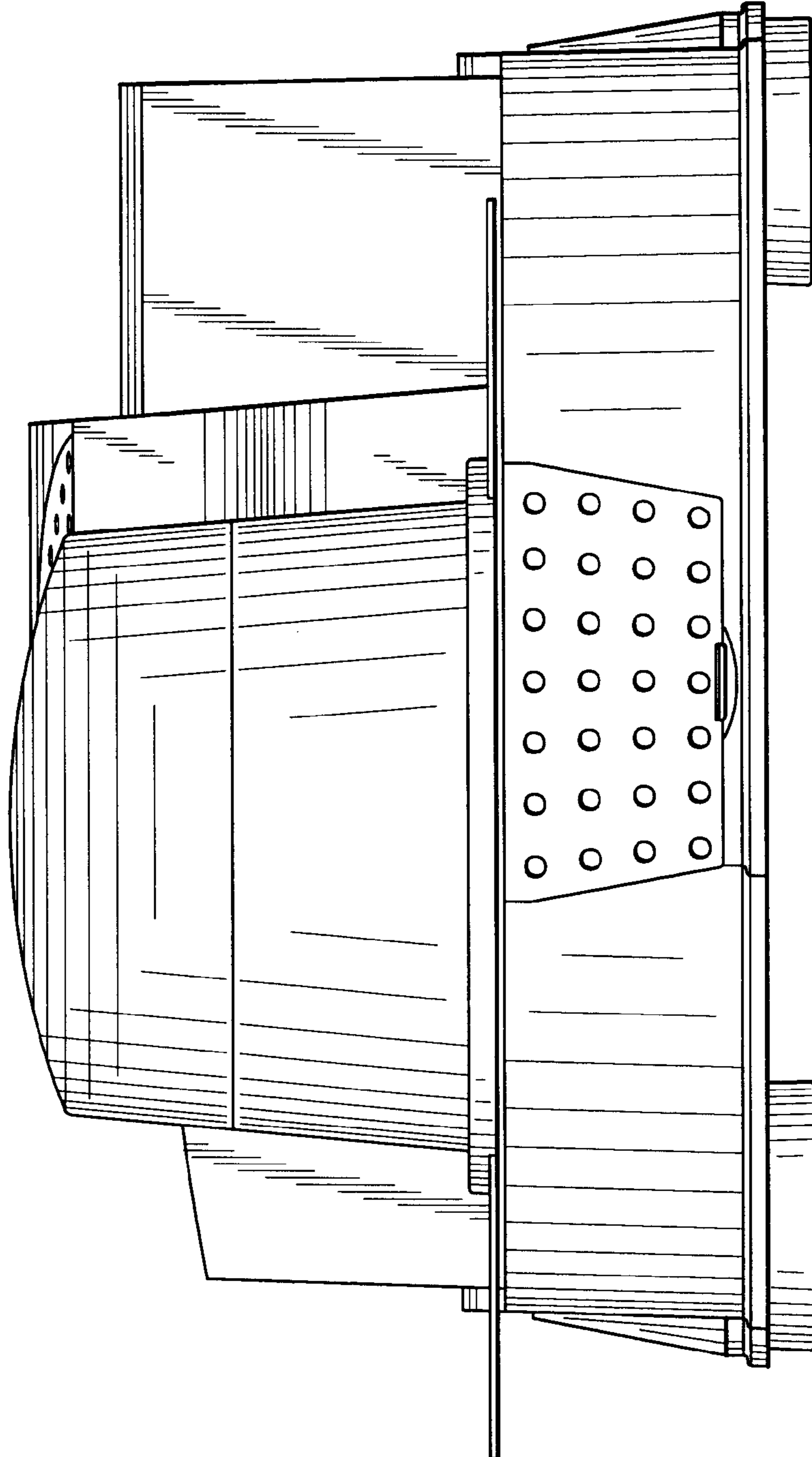
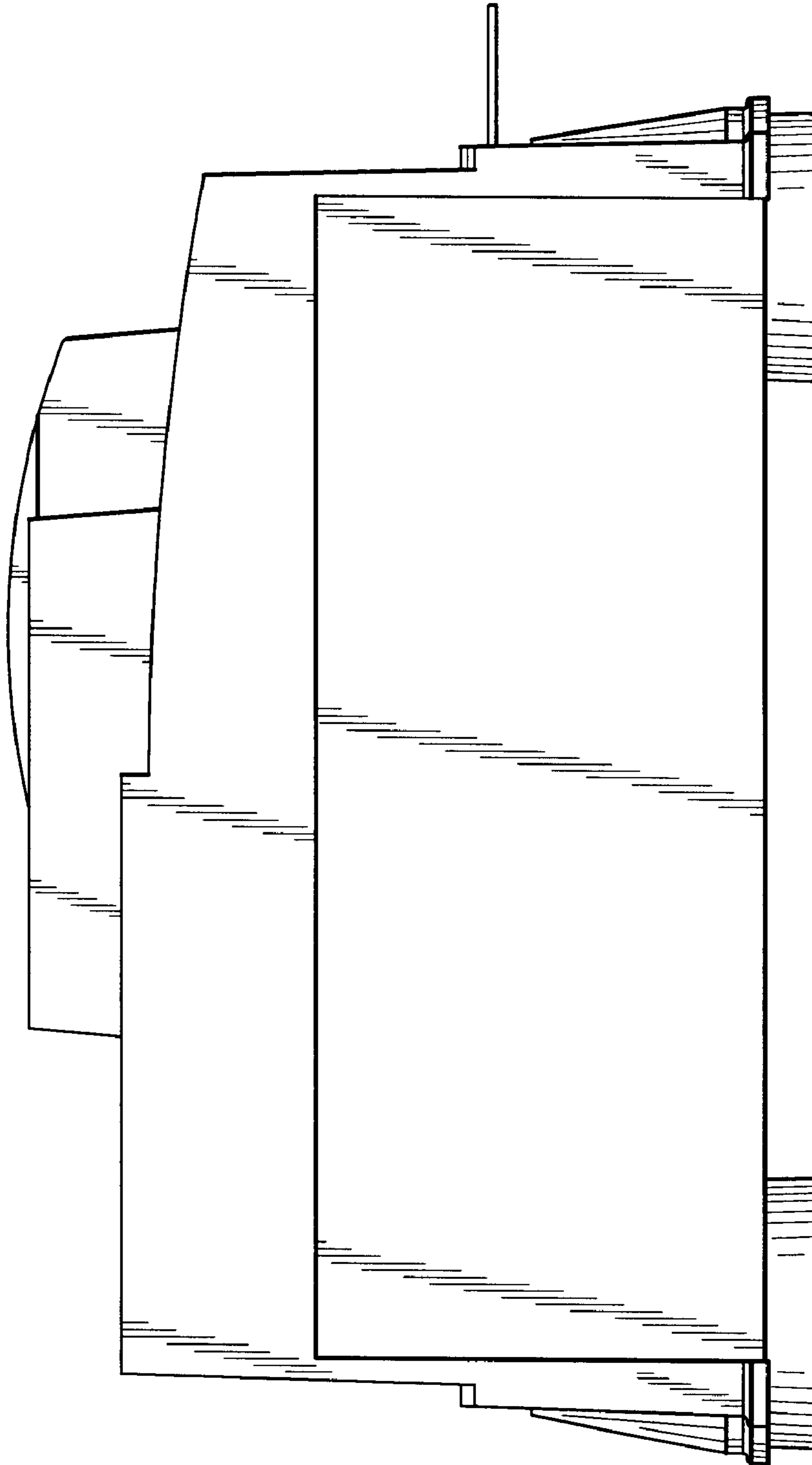


FIG. 3



**FIG. 4**

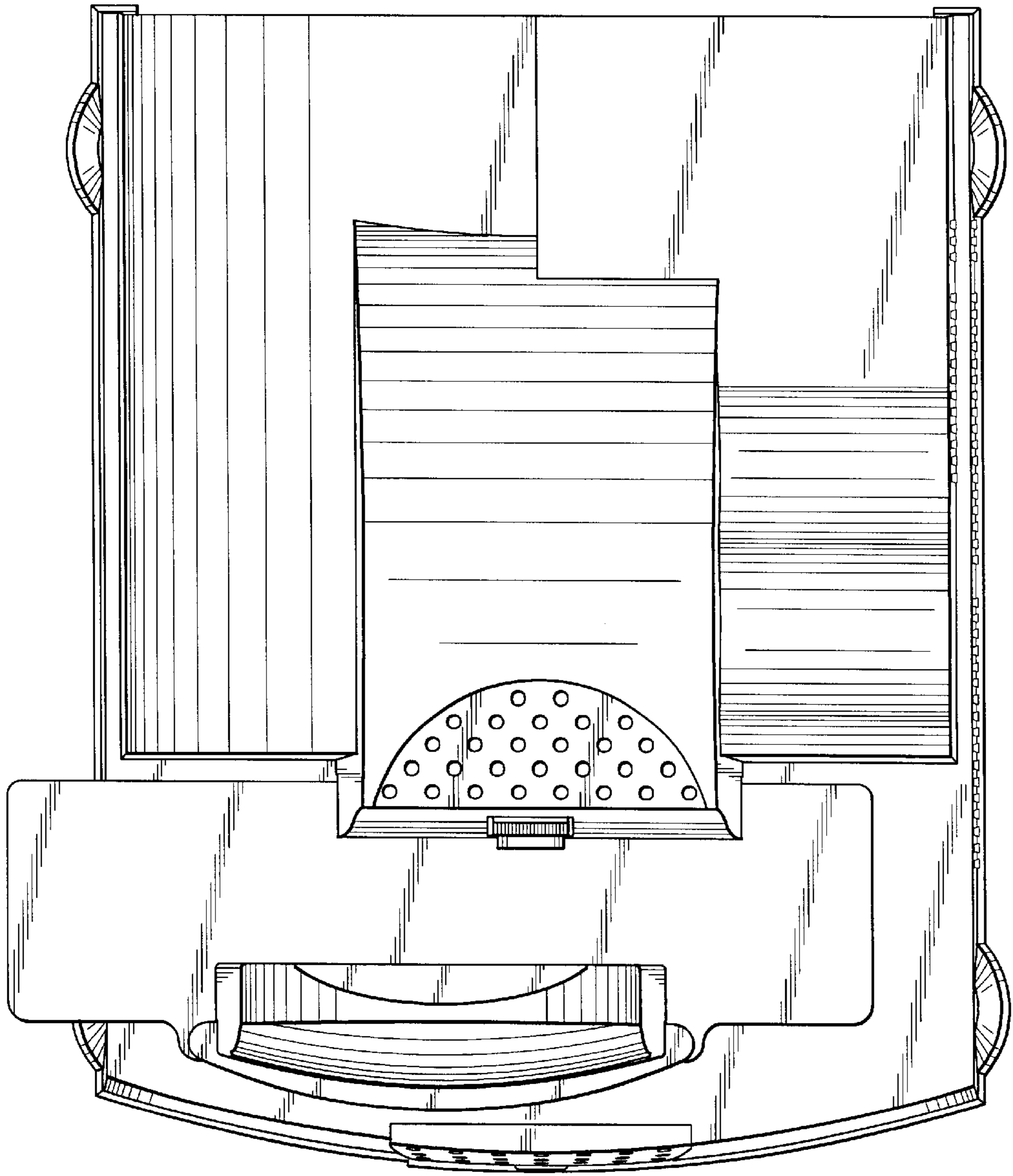
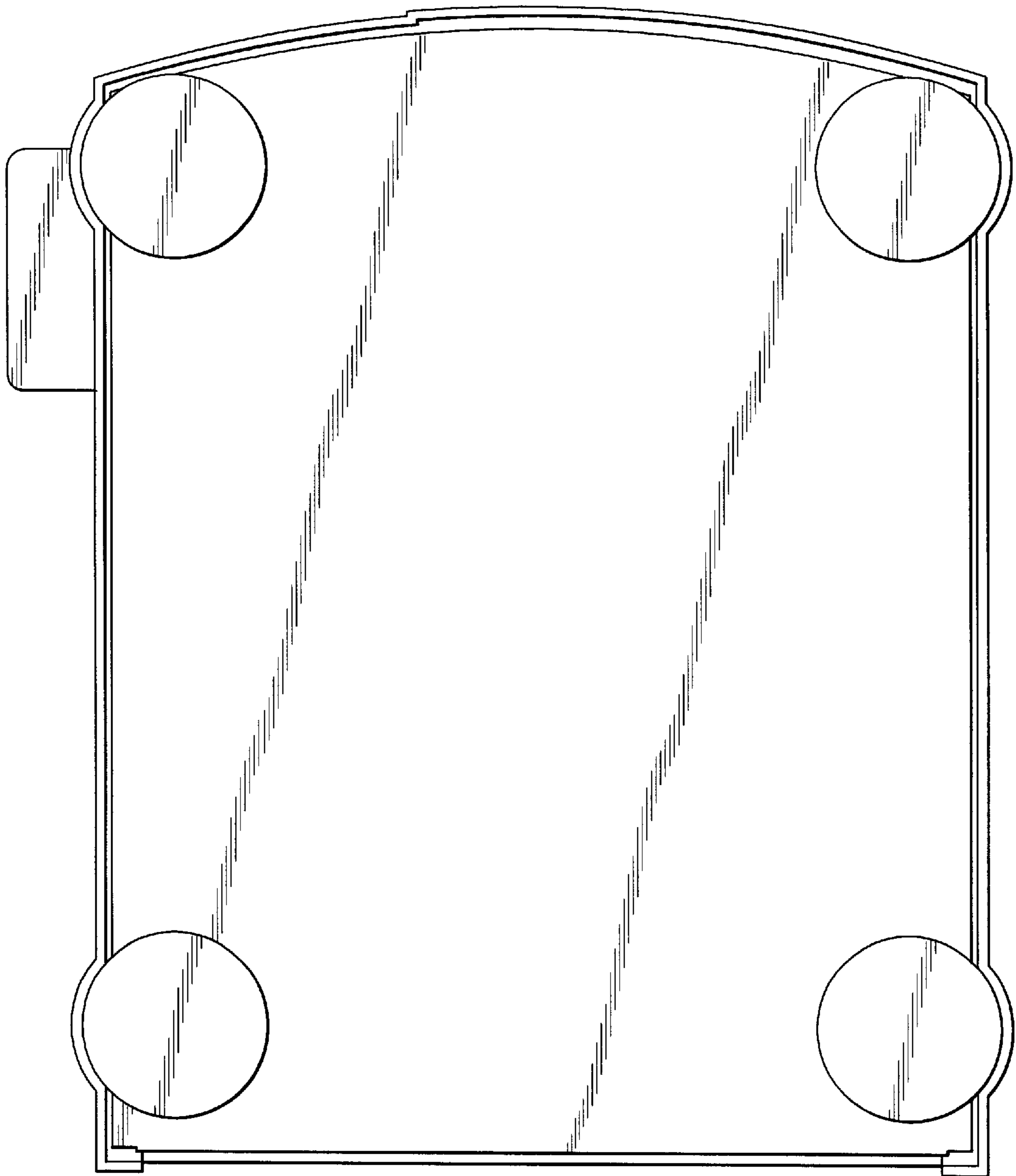


FIG. 5



**FIG. 6**

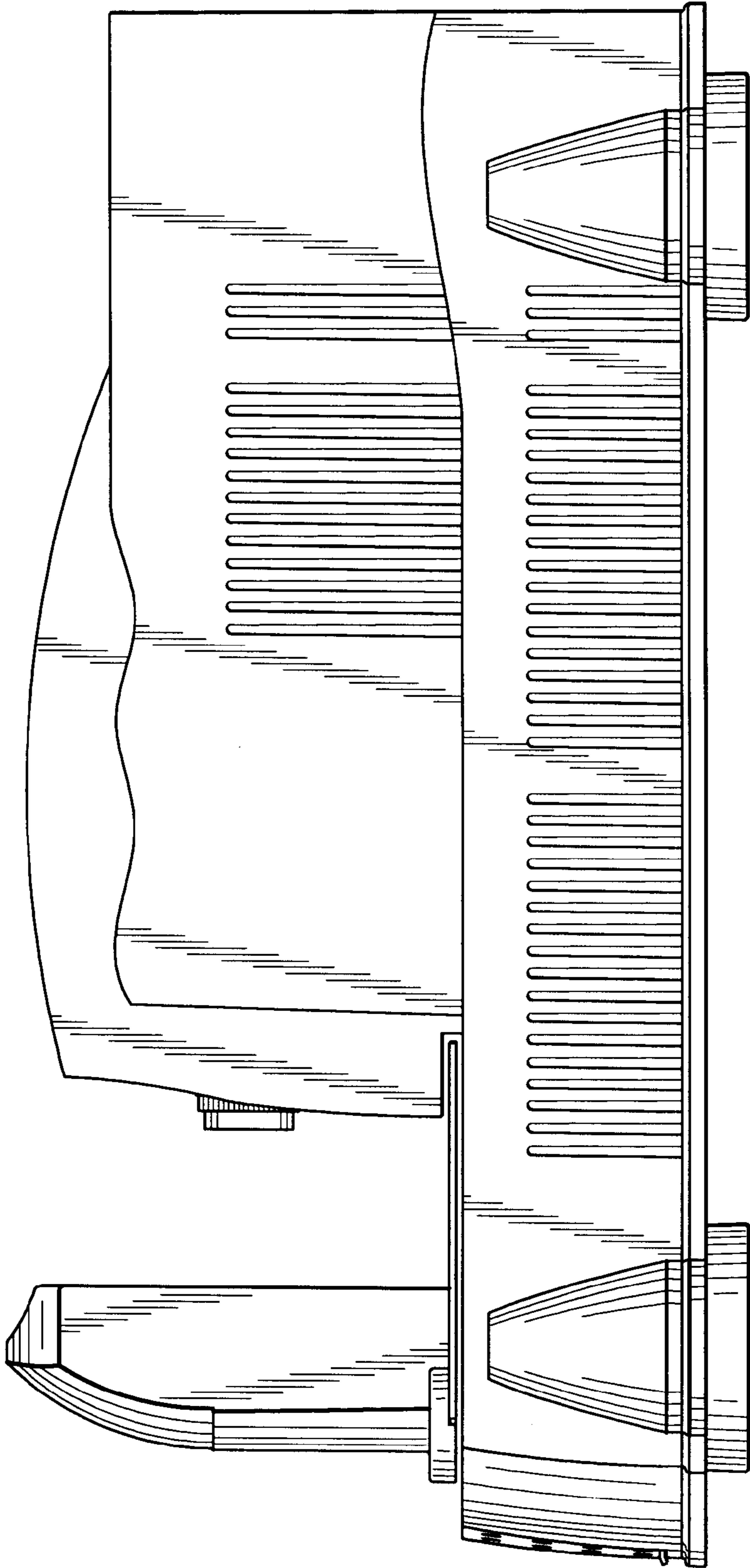


FIG. 7



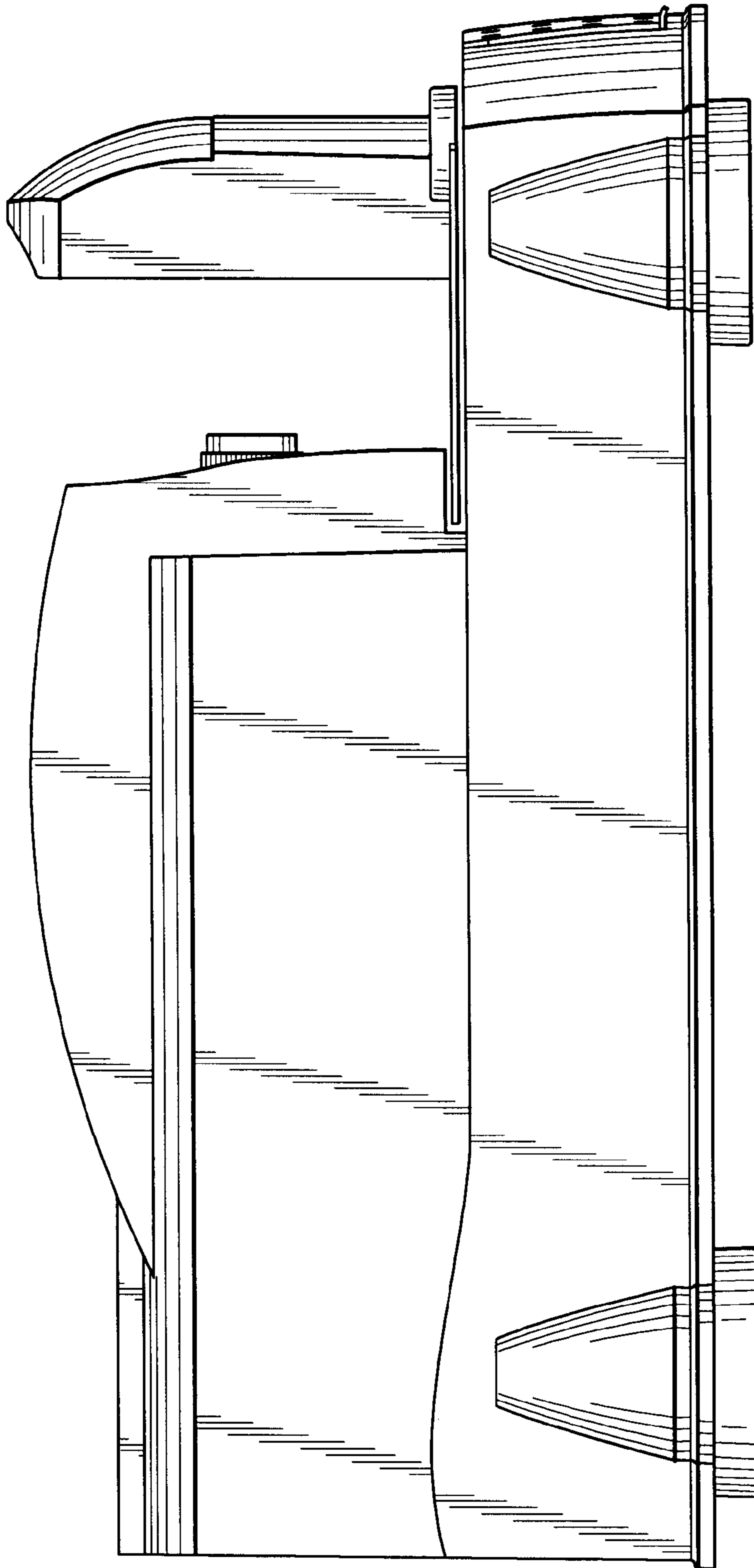


FIG. 8