



US00D446538B1

(12) **United States Design Patent**
Prather et al.

(10) **Patent No.:** **US D446,538 S**

(45) **Date of Patent:** **** Aug. 14, 2001**

(54) **ADJUSTABLE LEGS FOR VIDEO CAMERA**

OTHER PUBLICATIONS

(75) Inventors: **Vance A. Prather**, Fremont; **John Brooks**, Larkspur; **Sammy Tsang**, Alameda; **Paul Hamerton-Kelly**, Berkeley; **Jochen Backs**, San Francisco, all of CA (US)

Better Homes and Gardens, Feb. 2000 vol. 78 (ZoomCam USB).*

* cited by examiner

(73) Assignee: **Logitech Europe S.A.**, Romanel-sur-Morges (CH)

Primary Examiner—Adir Aronovich

(74) *Attorney, Agent, or Firm*—Townsend and Townsend and Crew LLP

(**) Term: **14 Years**

(57) **CLAIM**

(21) Appl. No.: **29/127,147**

The ornamental design for adjustable legs for video camera, as shown and described.

(22) Filed: **Jul. 31, 2000**

DESCRIPTION

Related U.S. Application Data

(62) Division of application No. 29/119,498, filed on Mar. 1, 2000.

FIG. 1 is a perspective view of adjustable legs for video camera showing my new design in a folded position;

(51) **LOC (7) Cl.** **16-05**

(52) **U.S. Cl.** **D16/242**

(58) **Field of Search** D16/200, 202, D16/208, 211, 242, 243, 244, 245; 248/166, 167, 168-171; 396/419, 428

FIG. 2 is a perspective view thereof in an upright position, the broken line showing of a video camera head is for illustrative purposes only and forms no part of the claimed design;

FIG. 3 is a top plan view thereof in the upright position;

FIG. 4 is a front elevational view thereof in the upright position;

FIG. 5 is a right side elevational view, the left side elevational view being a mirror image thereof in the upright position;

FIG. 6 is a rear elevational view thereof in the upright position; and,

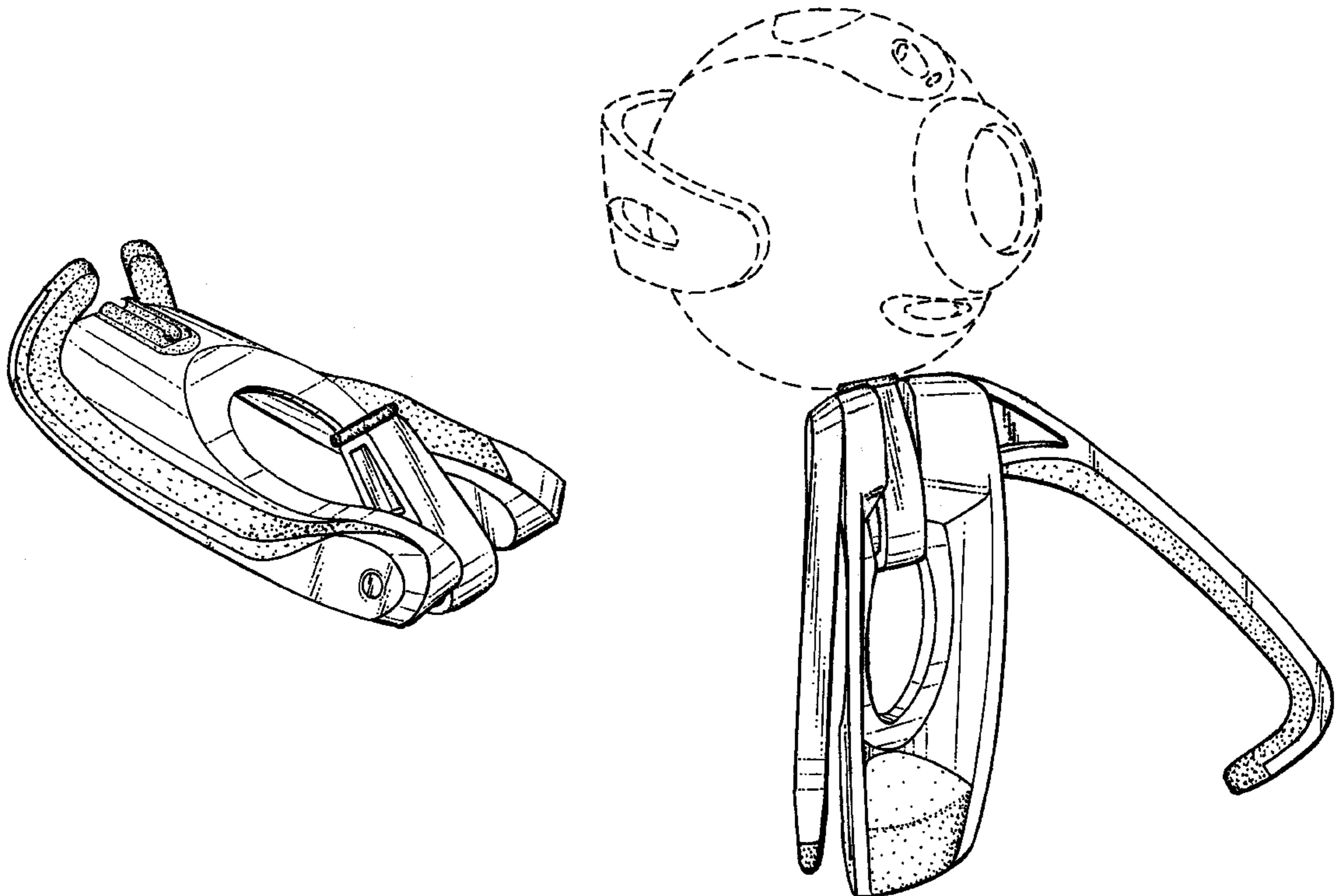
FIG. 7 is a bottom plan view thereof in the upright position.

(56) **References Cited**

U.S. PATENT DOCUMENTS

D. 383,475	*	9/1997	Yamauchi et al.	D16/202
D. 389,500	*	1/1998	Krekelberg	D16/202
D. 392,299	*	3/1998	Lin	D16/202
D. 392,987	*	3/1998	Sakata et al.	D16/202
D. 407,762	*	4/1999	Ota et al.	D21/332

1 Claim, 7 Drawing Sheets



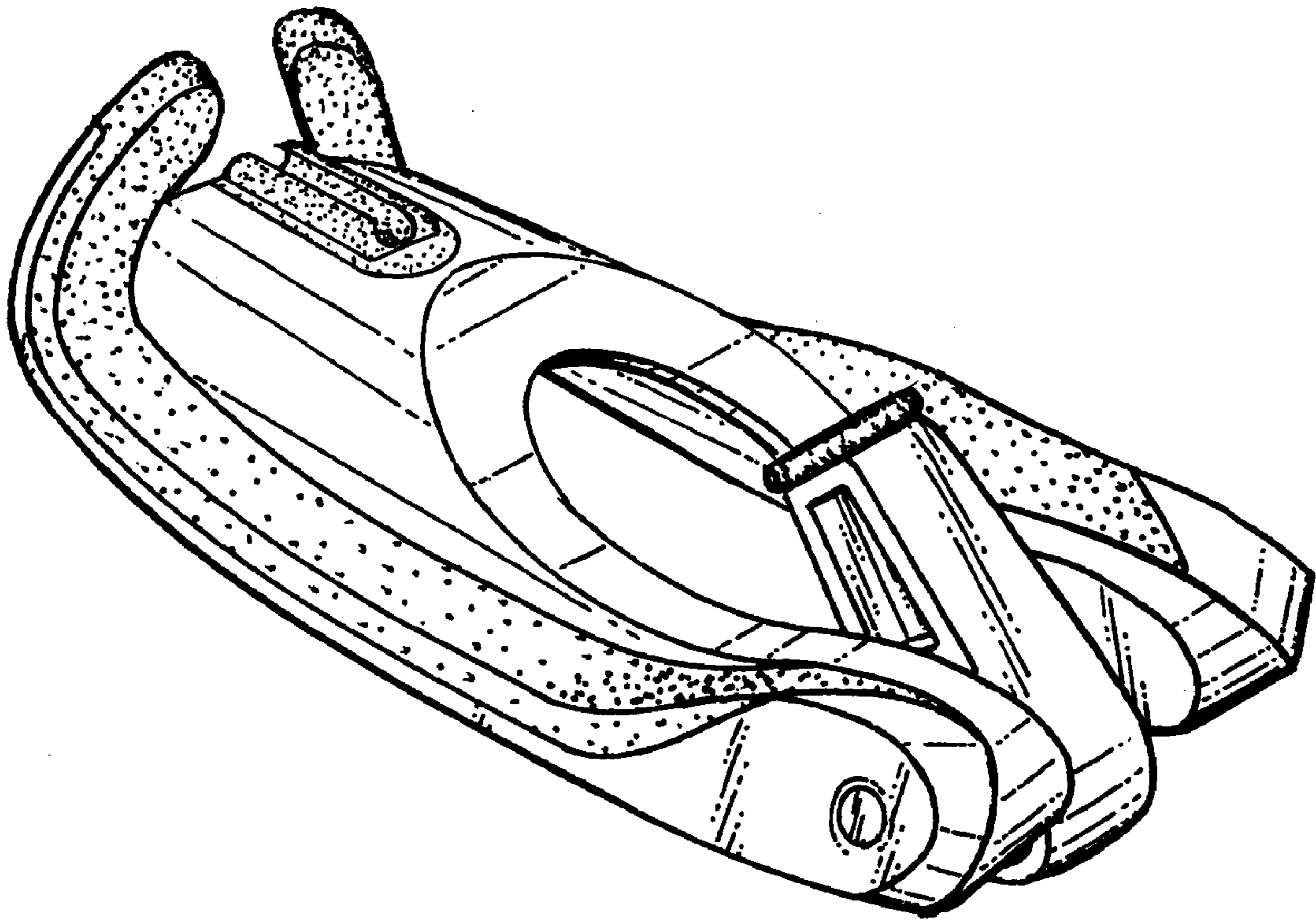


FIG. 1.

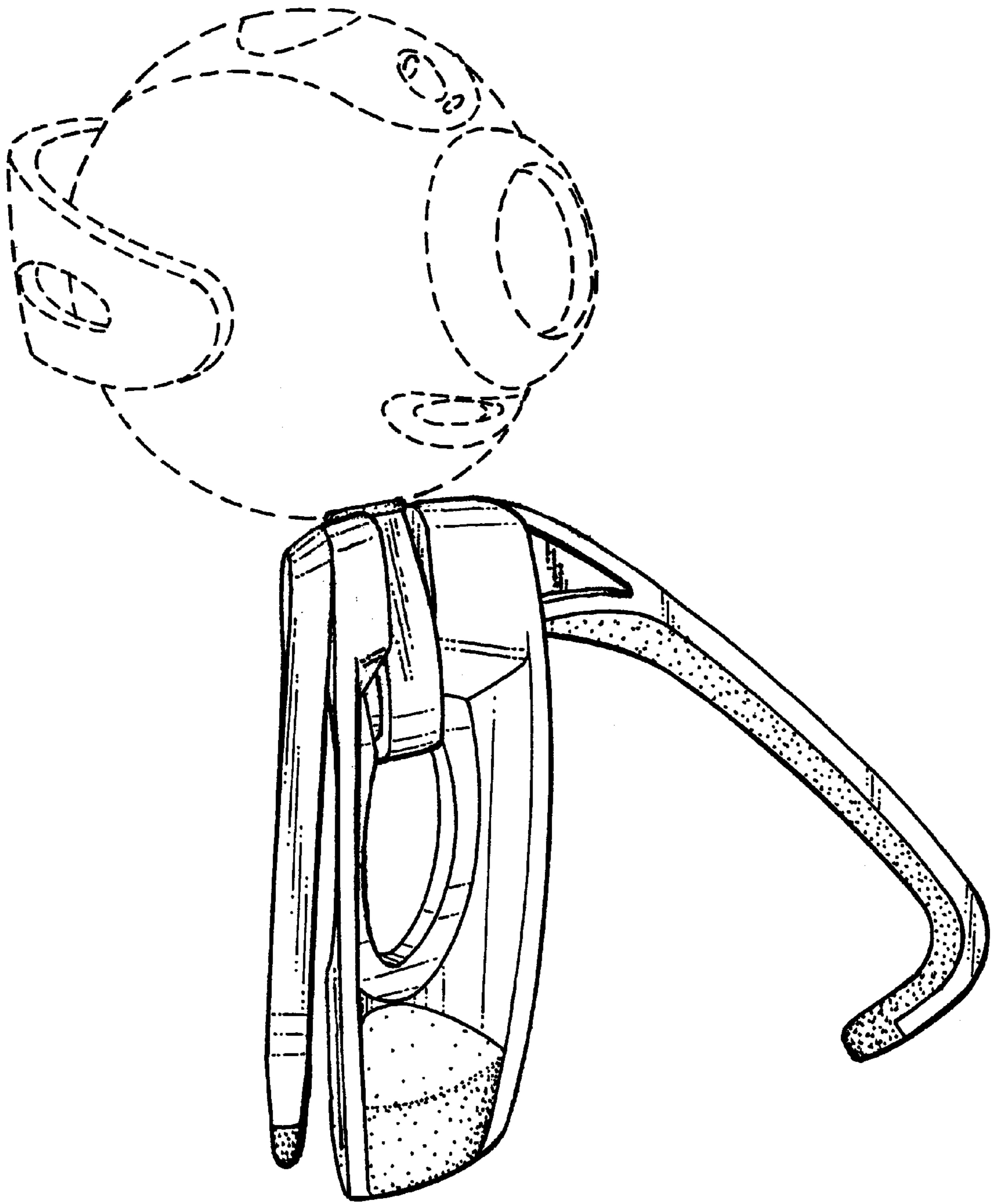
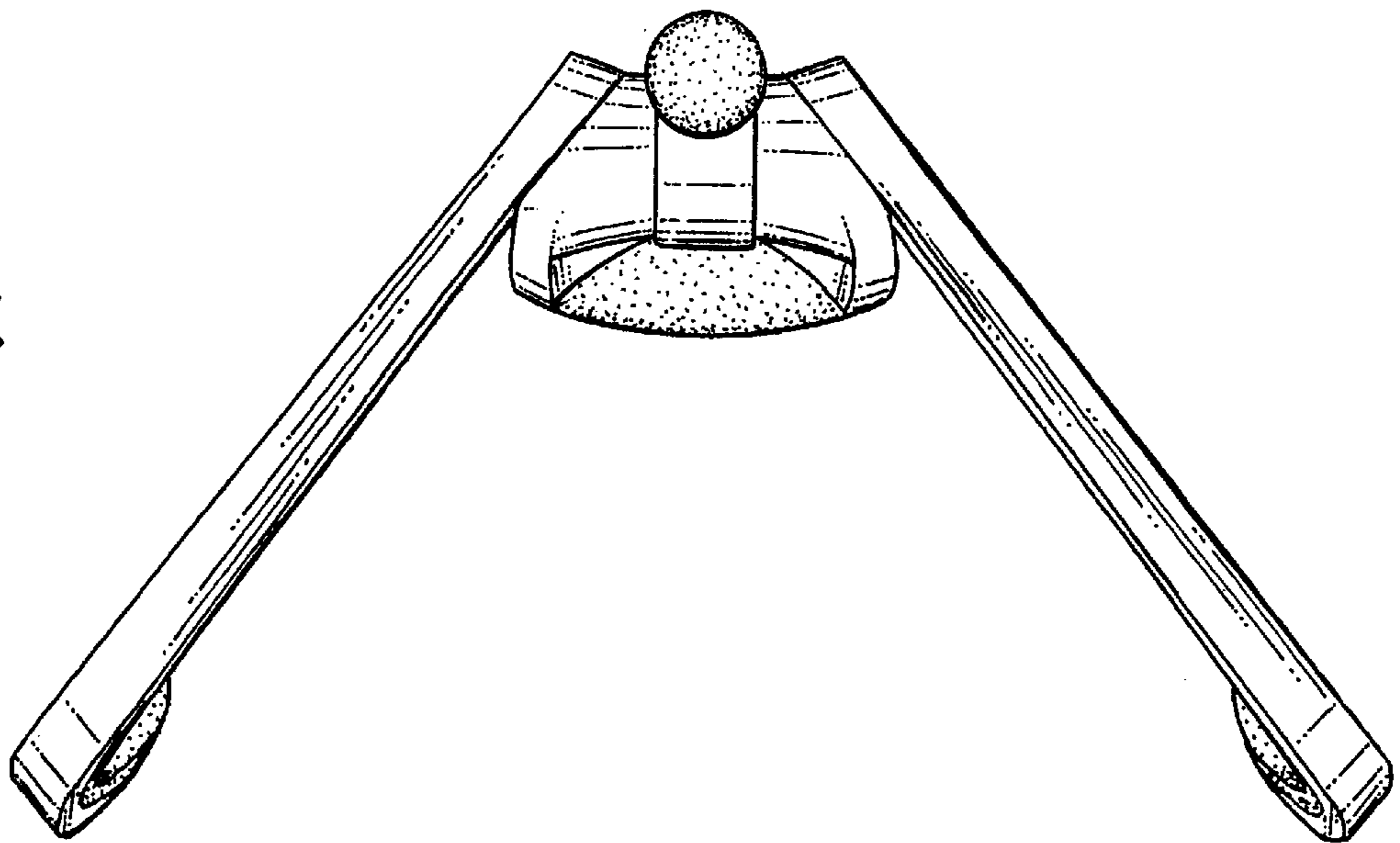


FIG. 2.

FIG. 3.



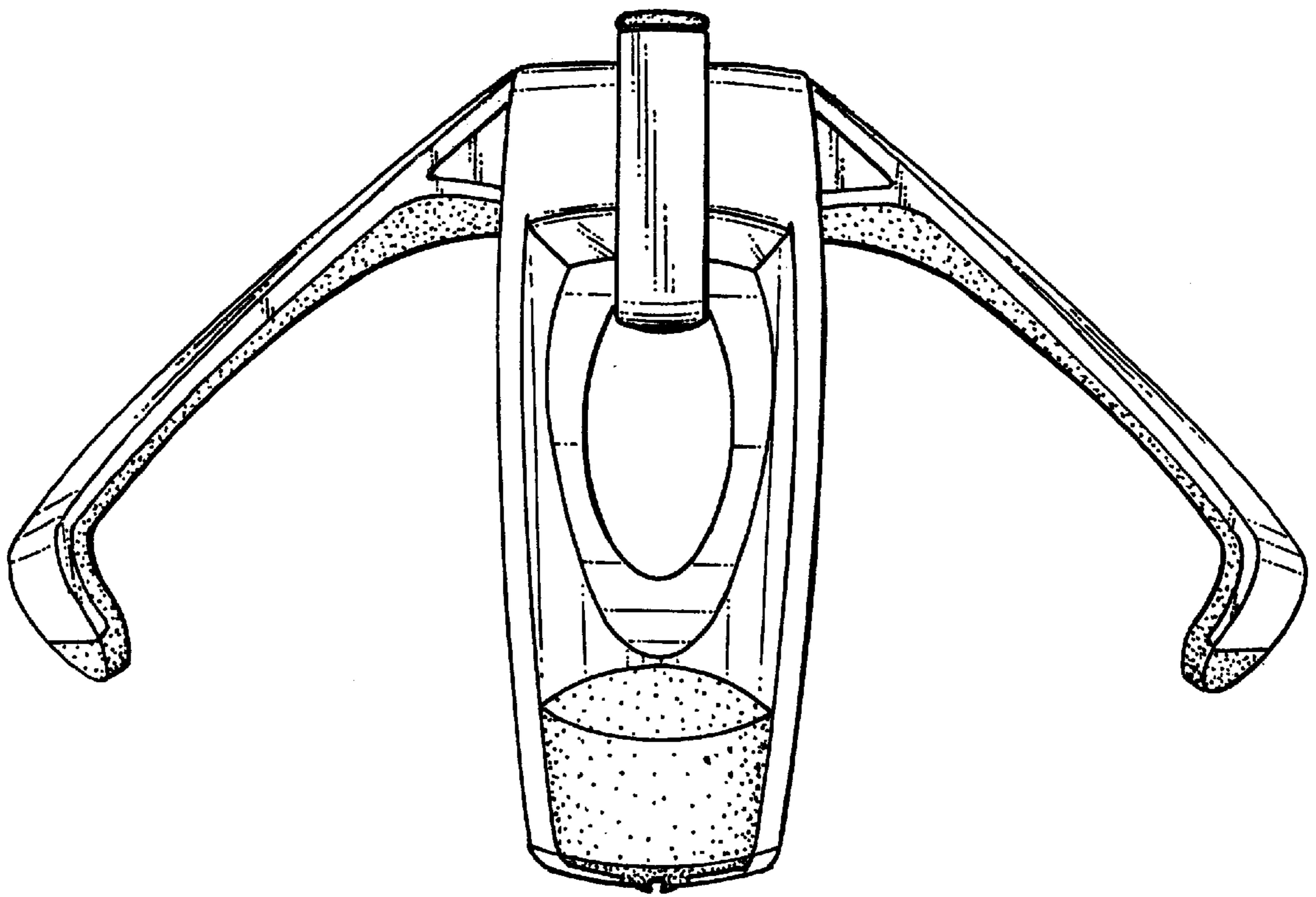


FIG. 4.

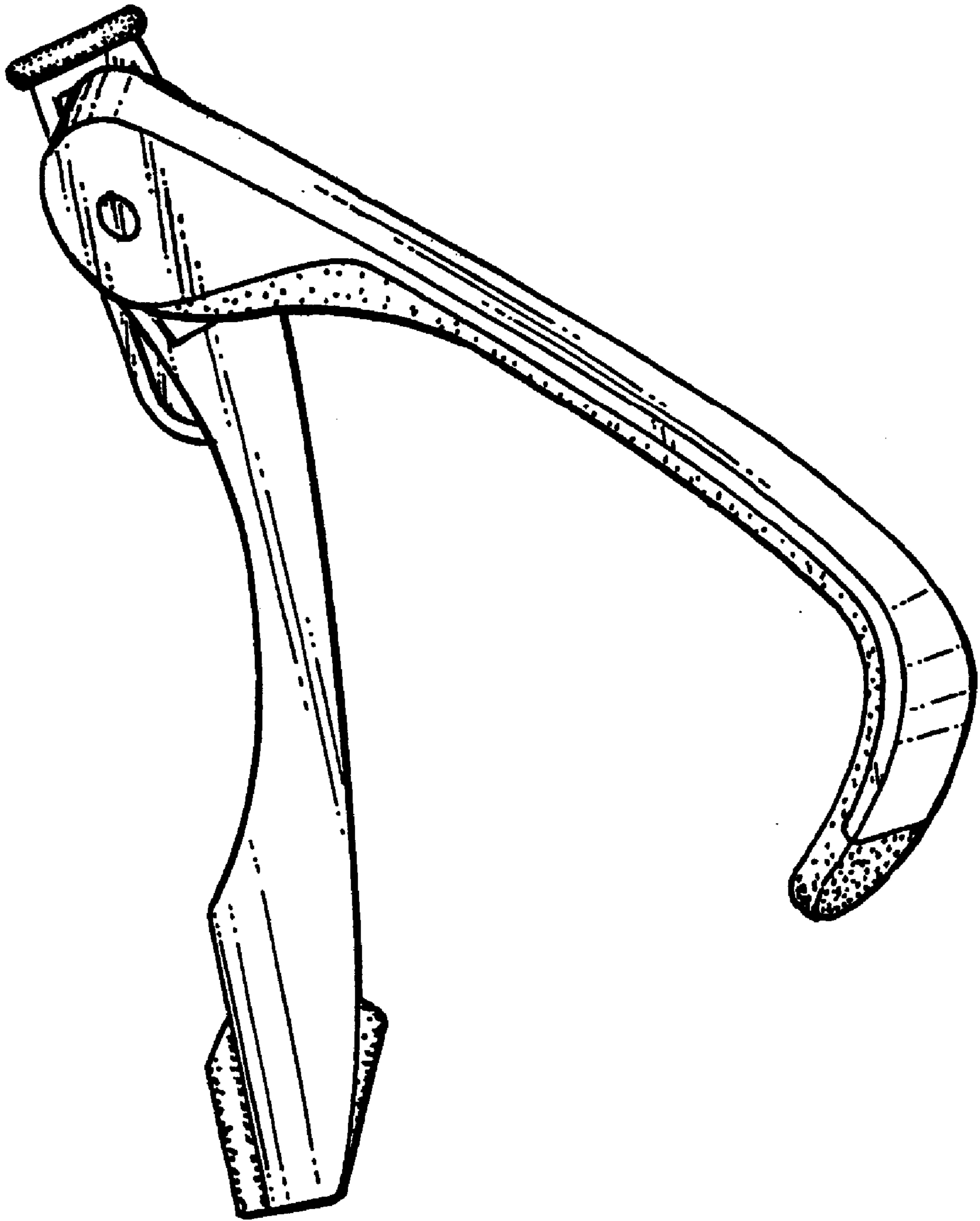


FIG. 5.

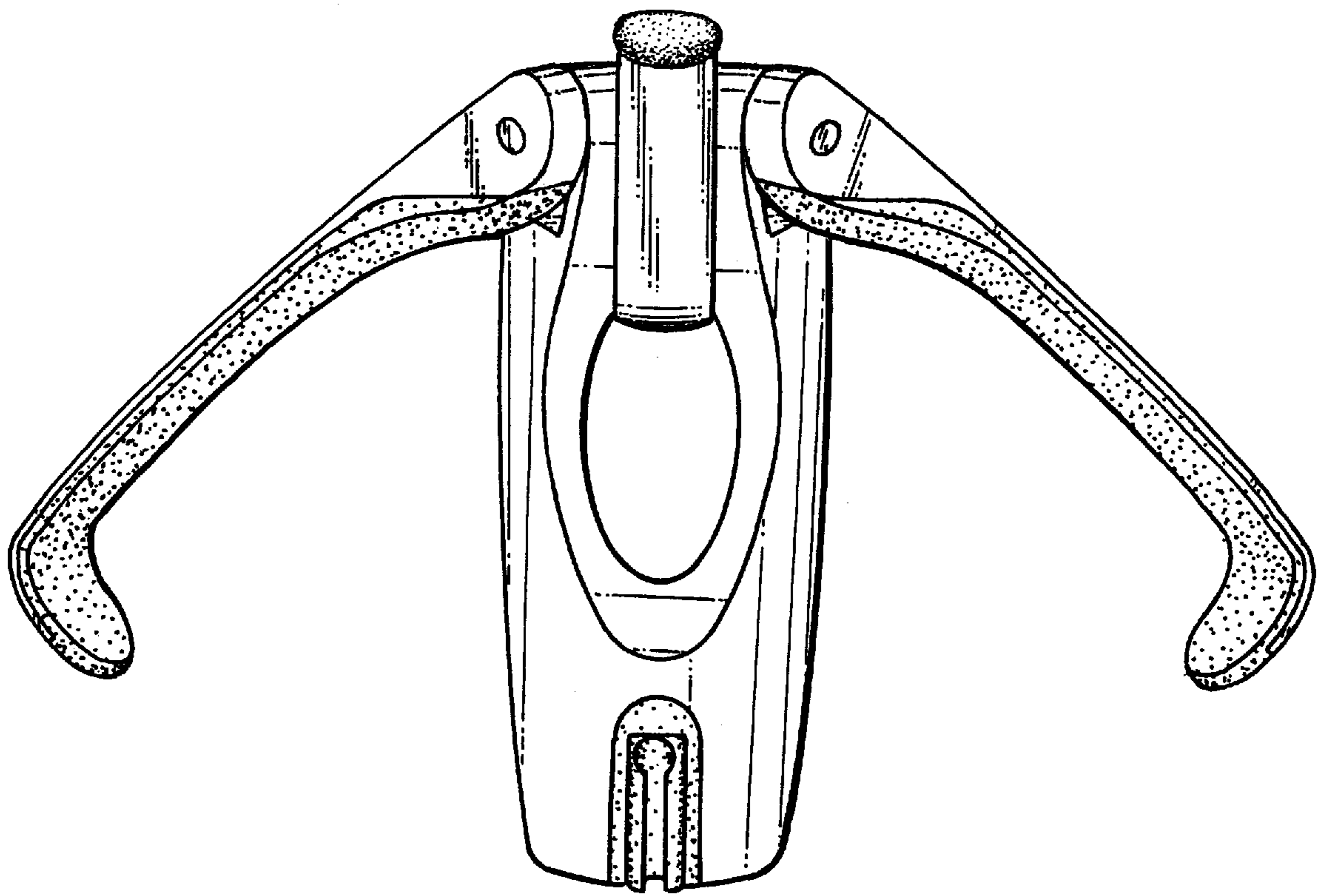


FIG. 6.

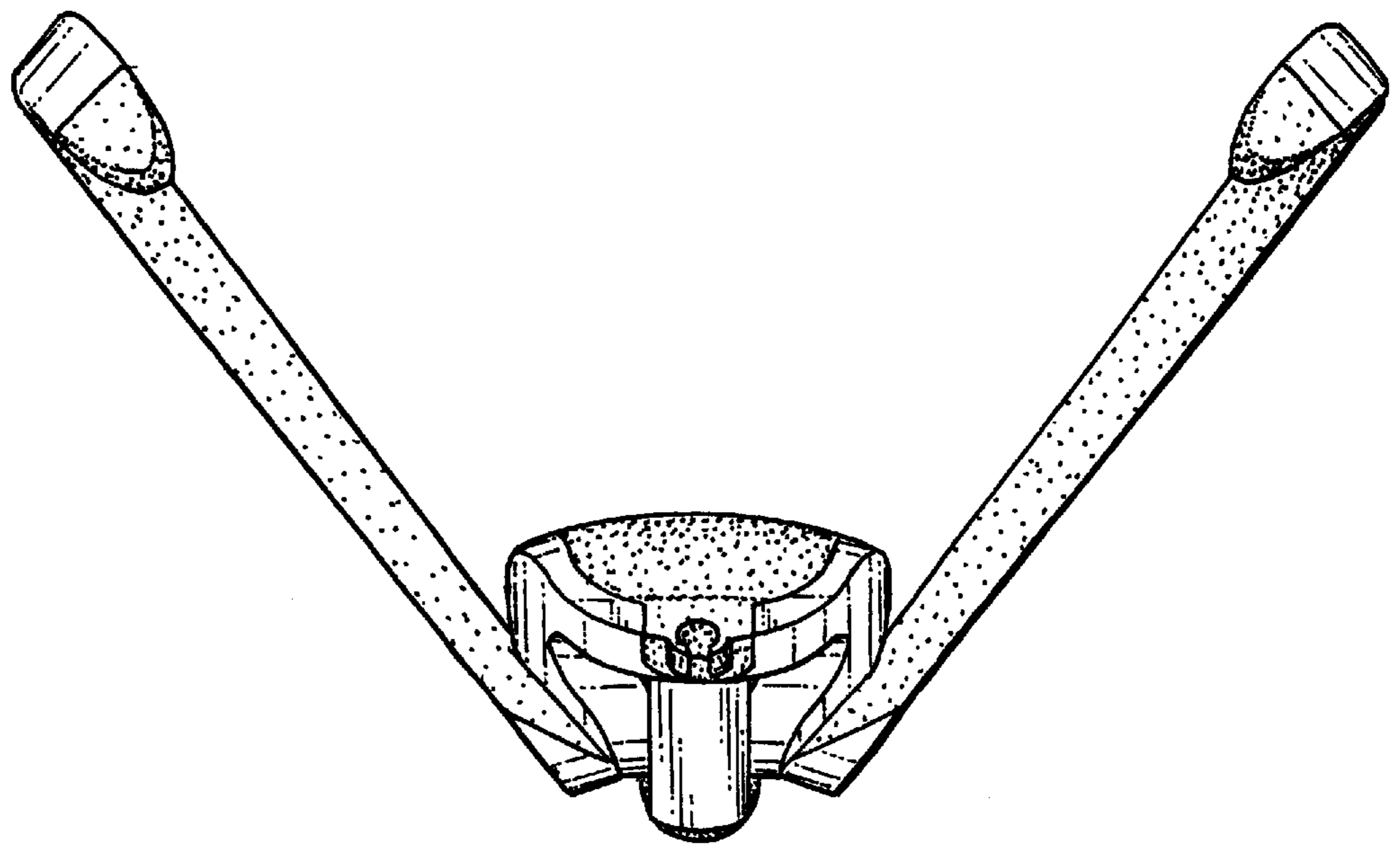


FIG. 7.