



US00D446537B1

(12) **United States Design Patent** (10) **Patent No.:** **US D446,537 S**
Petravic et al. (45) **Date of Patent:** **** Aug. 14, 2001**

(54) **DIGITAL CAMERA VIEWFINDER WITH GRAPHIC DISPLAY**

Primary Examiner—Adir Aronovich
(74) *Attorney, Agent, or Firm*—John A. Smart

(75) Inventors: **Robin Goran Petravic; Kurt Dammermann**, both of San Francisco;
Eric O. Bodnar, Santa Cruz;
Catherine Bailey, San Francisco;
Sung-Ho Joe Tan, San Francisco;
Jonah Avram Becker, San Francisco,
all of CA (US)

(57) **CLAIM**

The ornamental design for a digital camera viewfinder with graphic display, as shown and described.

(73) Assignee: **LightSurf Technologies, Inc.**, Santa Cruz, CA (US)

DESCRIPTION

(**) Term: **14 Years**

The present application is related to the following commonly-owned applications: (1) application Ser. No. 29/126,740, filed concurrently, and titled, Vertically-Oriented Digital Camera Body with Lens Assembly Reveal; (2) application Ser. No. 29/126,739, filed concurrently, and titled, Vertically-Oriented Digital Camera Body with Top-Centered Shutter Button; and (3) application Ser. No. 29/126,738, filed concurrently, and titled, Vertically-Oriented Digital Camera Body with Connector Interface. The disclosures of the foregoing are hereby incorporated by reference.

(21) Appl. No.: **29/126,737**

(22) Filed: **Jul. 21, 2000**

(51) **LOC (7) Cl.** **16-05**

(52) **U.S. Cl.** **D16/220**

(58) **Field of Search** D16/200, 202,
D16/208, 218, 219, 220, 237; 396/373–376,
289, 535–514; 348/341, 342, 373–376

FIG. 1 is a top, left and front perspective view of a digital camera viewfinder with graphic display, the broken lines are shown to illustrate environment only and form no part of the claimed design;

(56) **References Cited**

U.S. PATENT DOCUMENTS

D. 418,531	*	1/2000	Hayashi	D16/220
5,235,380	*	8/1993	Yamada et al.	396/289
5,515,128	*	5/1996	Wakabayashi et al.	296/374
6,006,038	*	12/1999	Kosako	396/373
6,075,951	*	6/2000	Maruyama	396/374

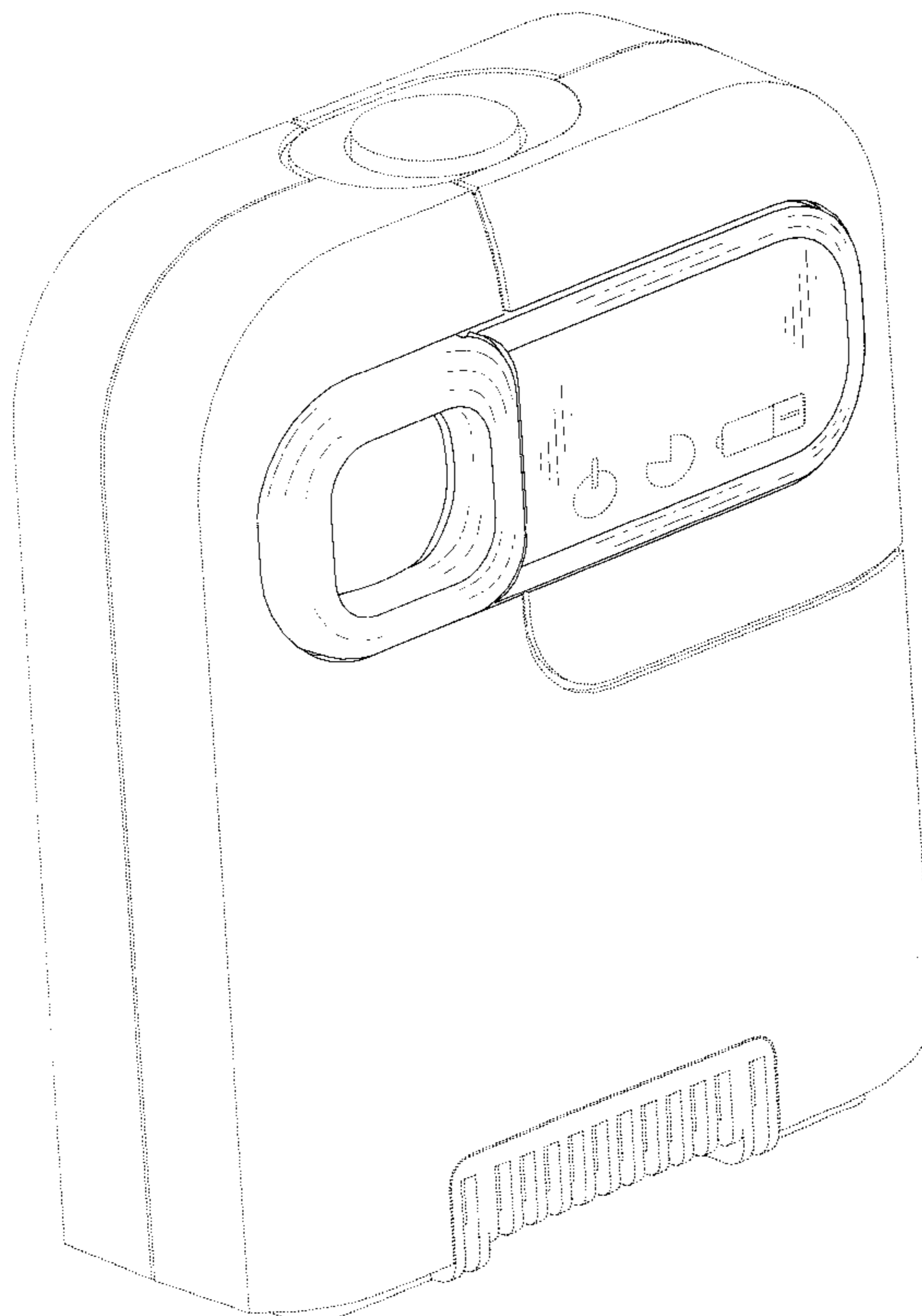
FIG. 2 is a top, right, and front perspective view thereof;

FIG. 3 is a front end view thereof; and,

FIG. 4 is a front end view showing a first modified form of our new design, the sole difference being the repositioning of the graphic display on an opposing side of the viewfinder.

* cited by examiner

1 Claim, 3 Drawing Sheets



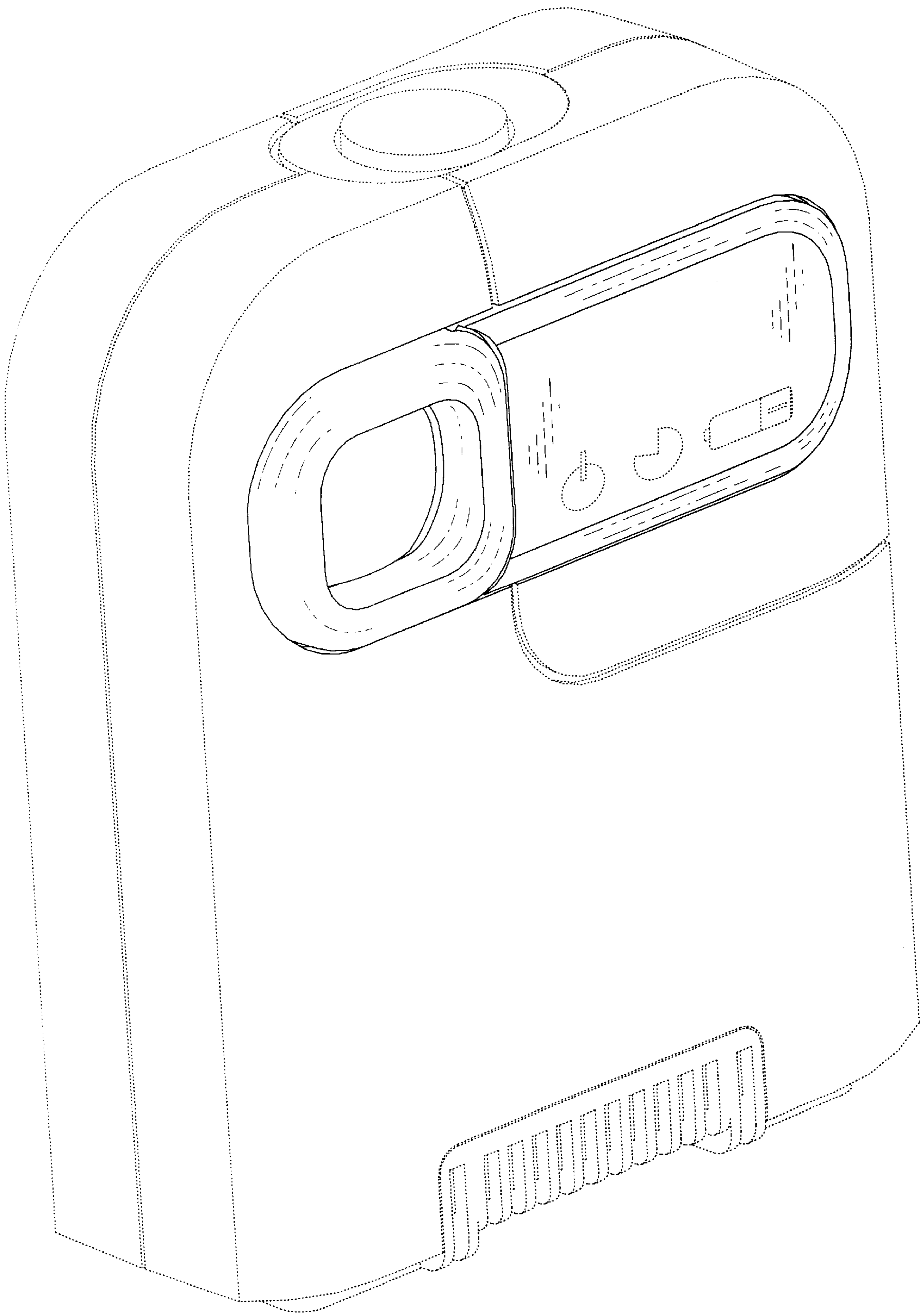


FIG. 1

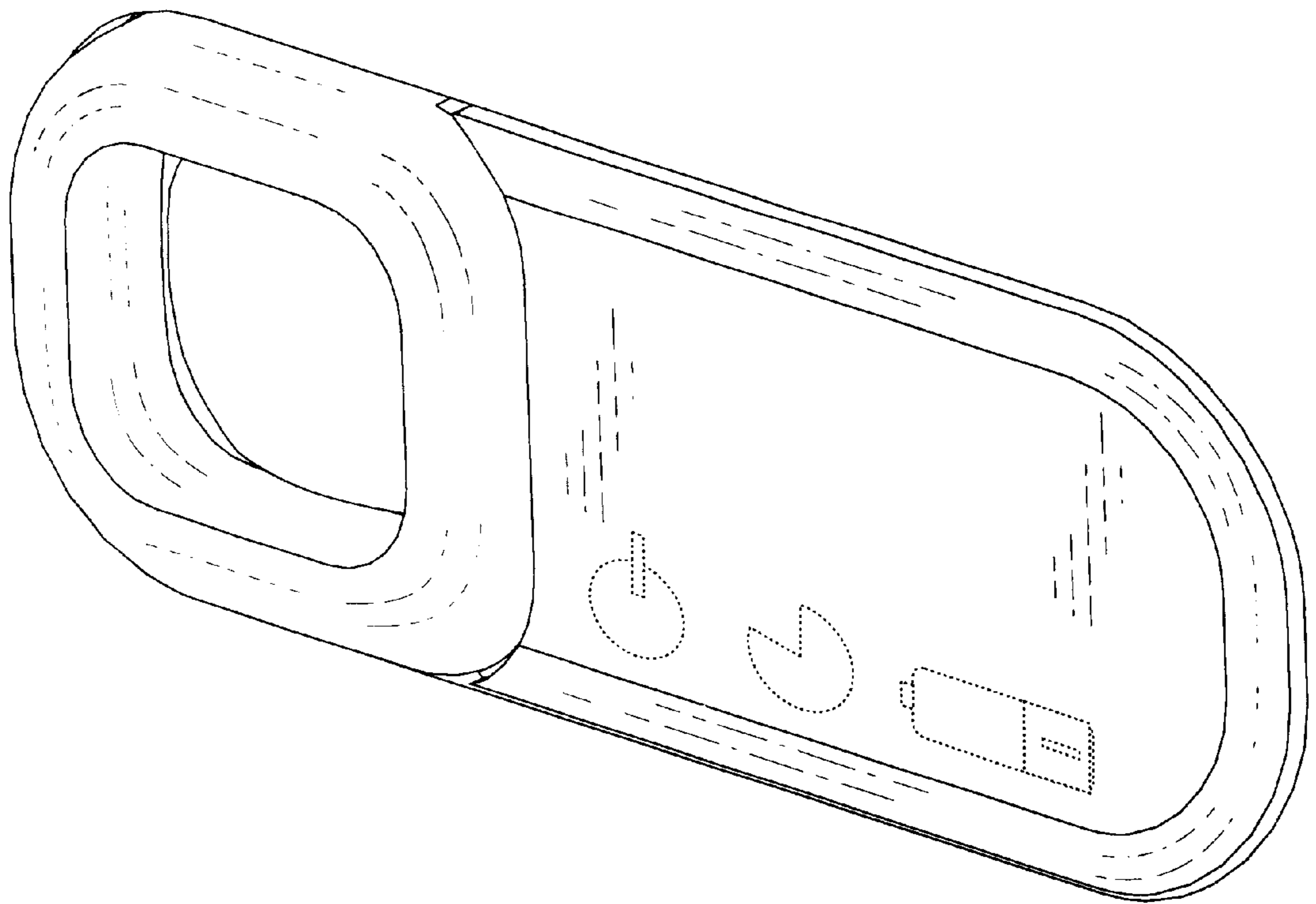


FIG. 2

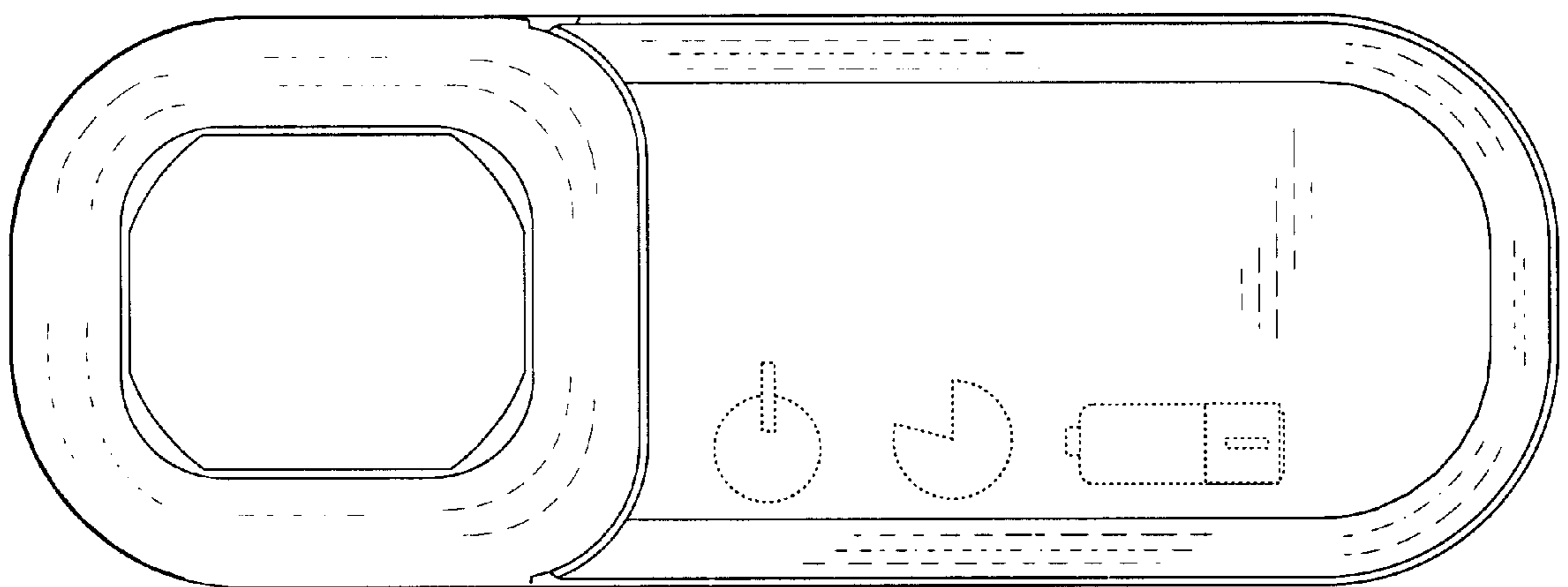


FIG. 3

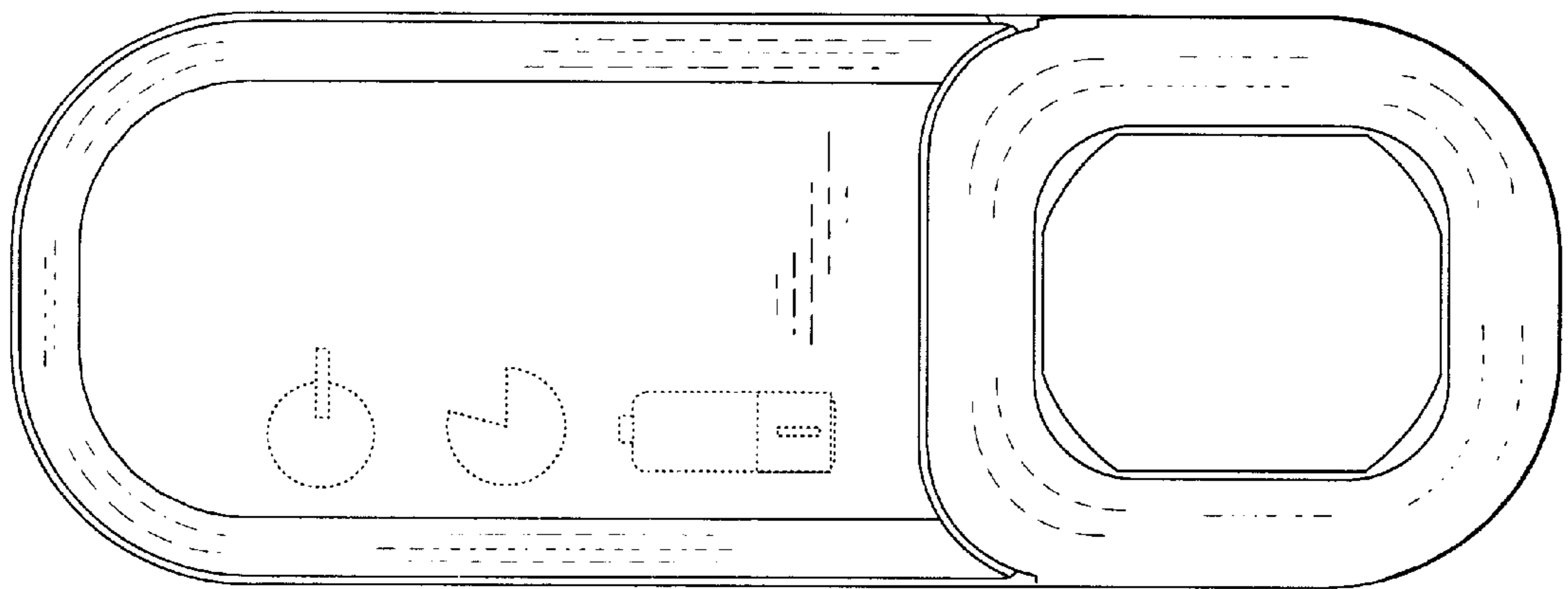


FIG. 4