



US00D446536B1

(12) **United States Design Patent**
Kim

(10) **Patent No.:** **US D446,536 S**

(45) **Date of Patent:** **** Aug. 14, 2001**

(54) **CAMERA**

(75) **Inventor:** **Joo Bok Kim, Changwon (KR)**

(73) **Assignee:** **Samsung Techwin Co., Ltd.,
Changwon (KR)**

(**) **Term:** **14 Years**

(21) **Appl. No.:** **29/126,925**

(22) **Filed:** **Jul. 26, 2000**

(30) **Foreign Application Priority Data**

Feb. 3, 2000 (KR) 00-2816

(51) **LOC (7) Cl.** **16-01**

(52) **U.S. Cl.** **D16/209**

(58) **Field of Search** D16/200-205,
D16/208, 209, 212, 218; 396/535-541

(56) **References Cited**

U.S. PATENT DOCUMENTS

D. 411,851 * 7/1999 Song D16/209

D. 418,854 * 1/2000 Hayashi D16/209
D. 425,093 * 5/2000 Chang D16/209
D. 432,152 * 10/2000 Watanabe D16/209
5,835,810 * 11/1998 Lawther et al. 396/538

* cited by examiner

Primary Examiner—Adir Aronovich

(74) *Attorney, Agent, or Firm*—Dellett and Walters

(57) **CLAIM**

The ornamental design for a camera, as shown and described.

DESCRIPTION

FIG. 1 is a perspective view of the design for a camera;
FIG. 2 is a front view of the design of FIG. 1;
FIG. 3 is a rear elevational view of the design of FIG. 1;
FIG. 4 is a left side view of the design of FIG. 1;
FIG. 5 is a right side view of the design of FIG. 1;
FIG. 6 is a top view of the design of FIG. 1; and,
FIG. 7 is a bottom view of the design of FIG. 1.

1 Claim, 4 Drawing Sheets

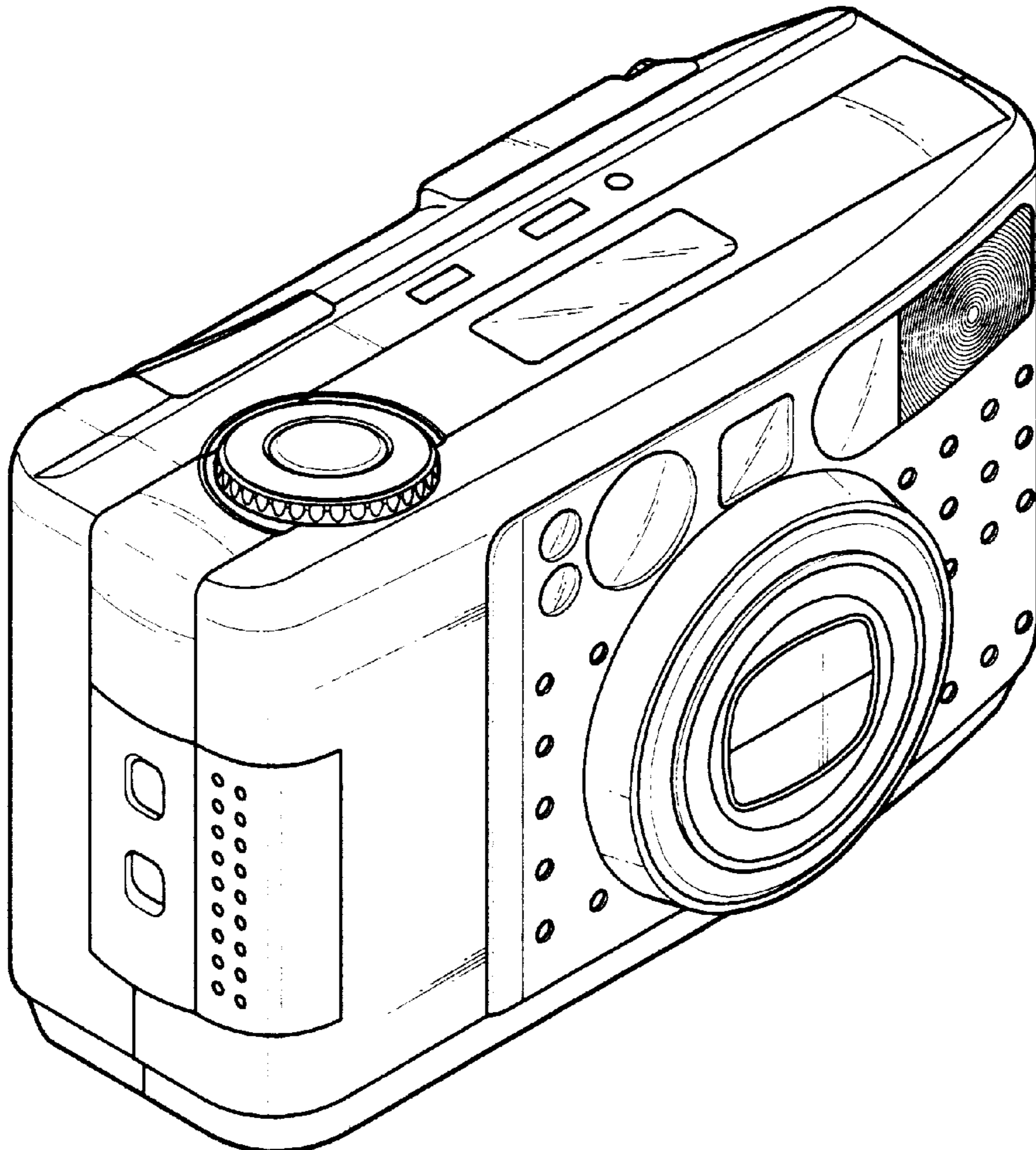


FIG. 1

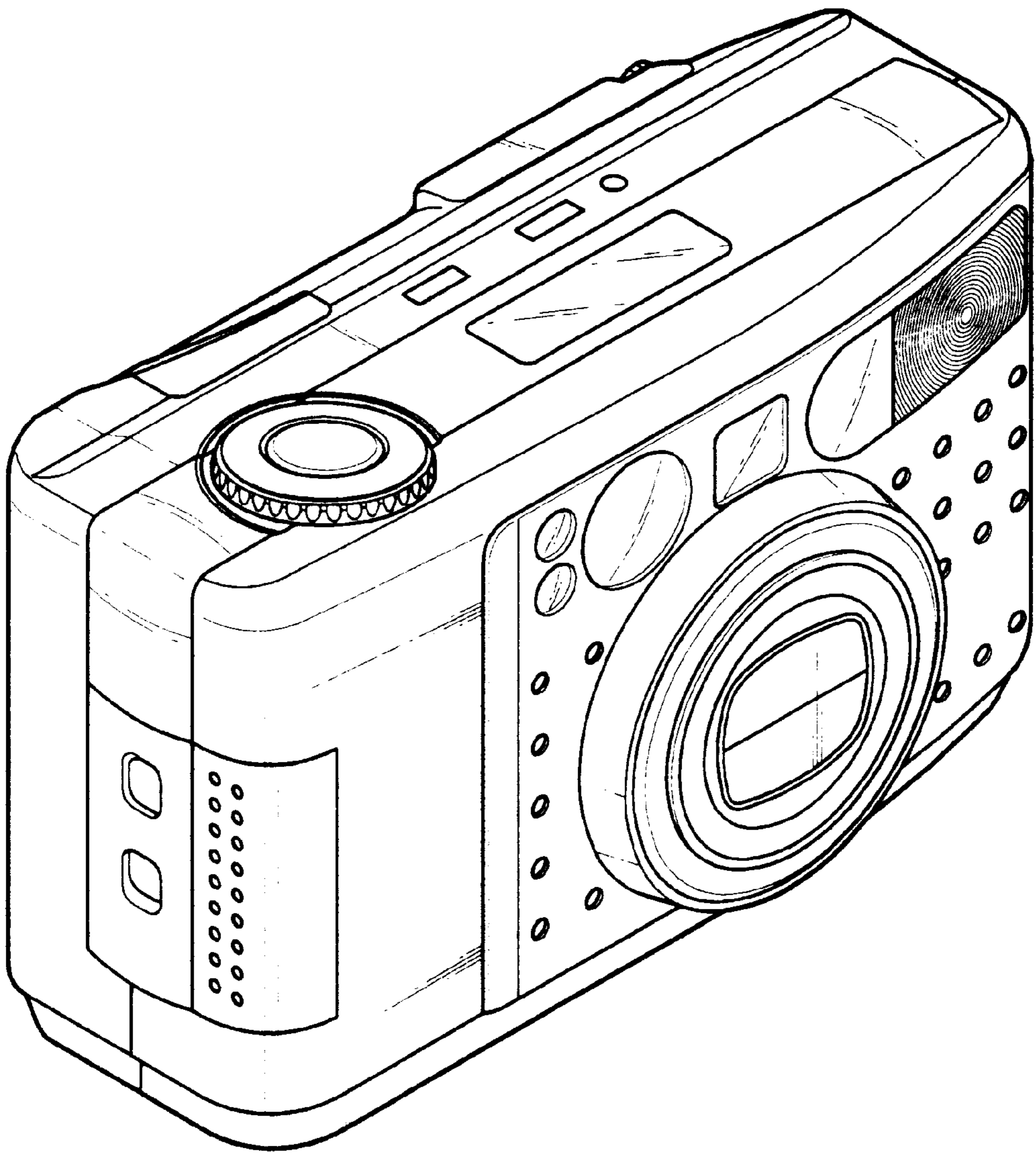


FIG. 2

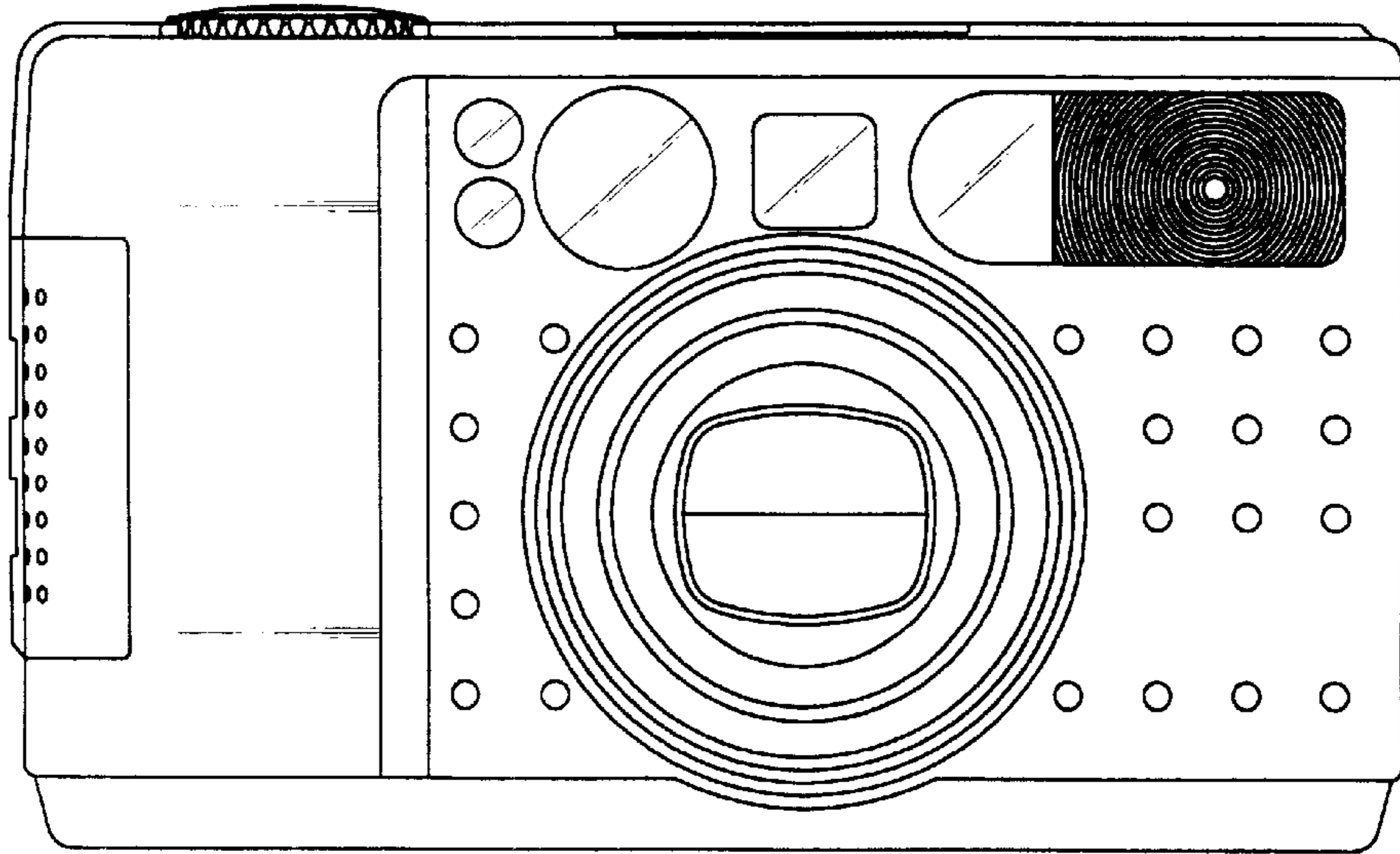


FIG. 3

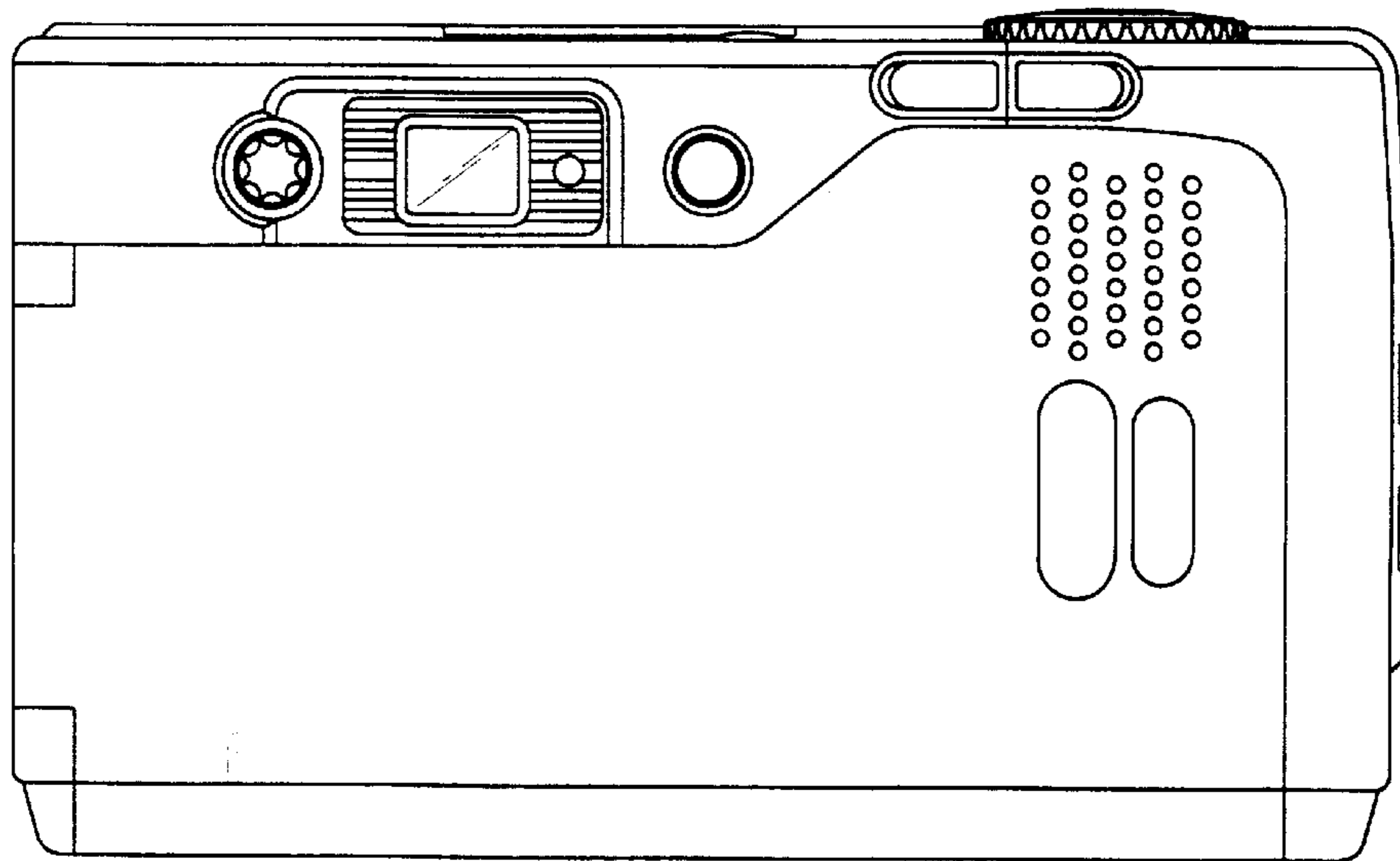


FIG. 4

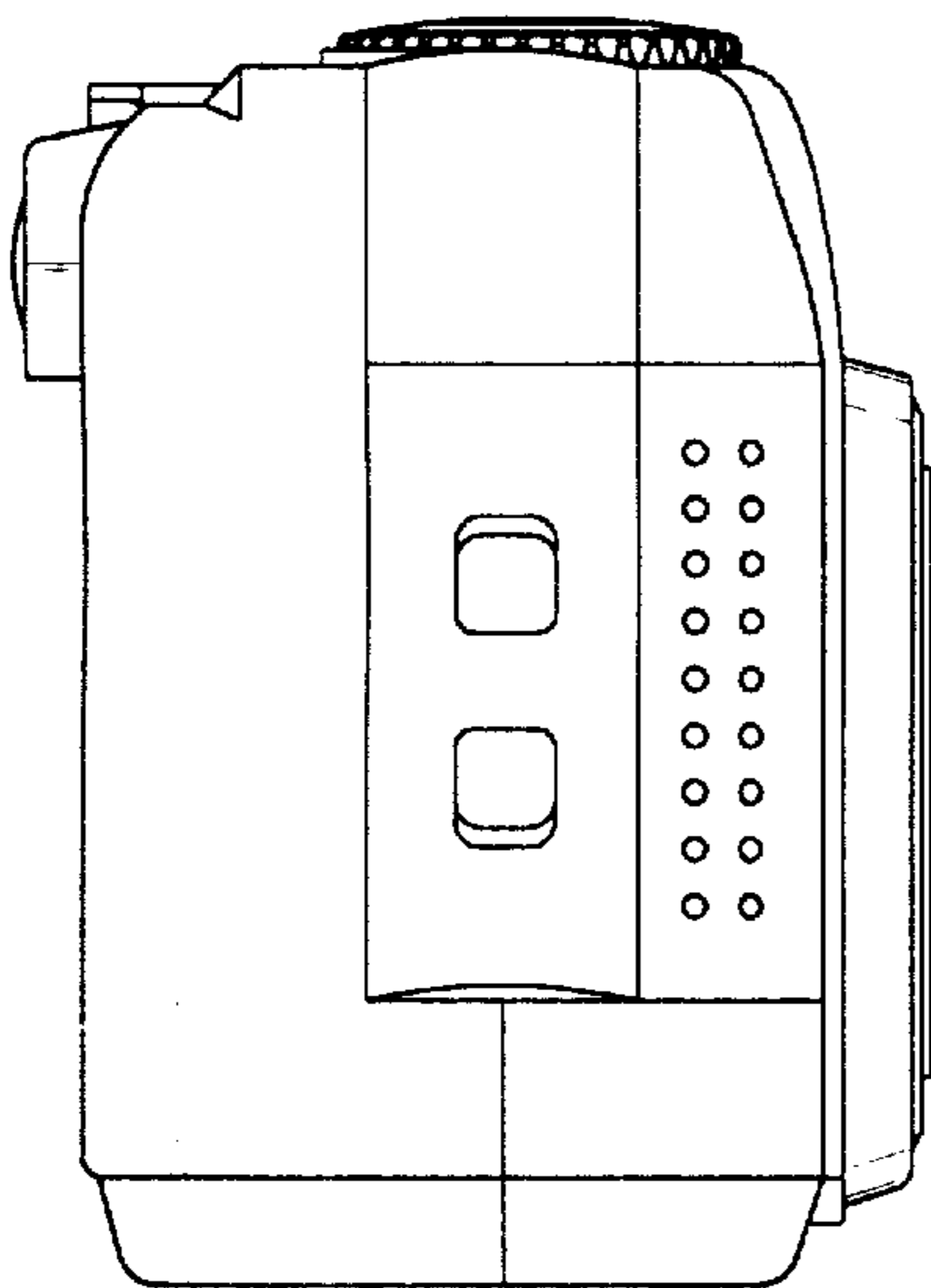


FIG. 5

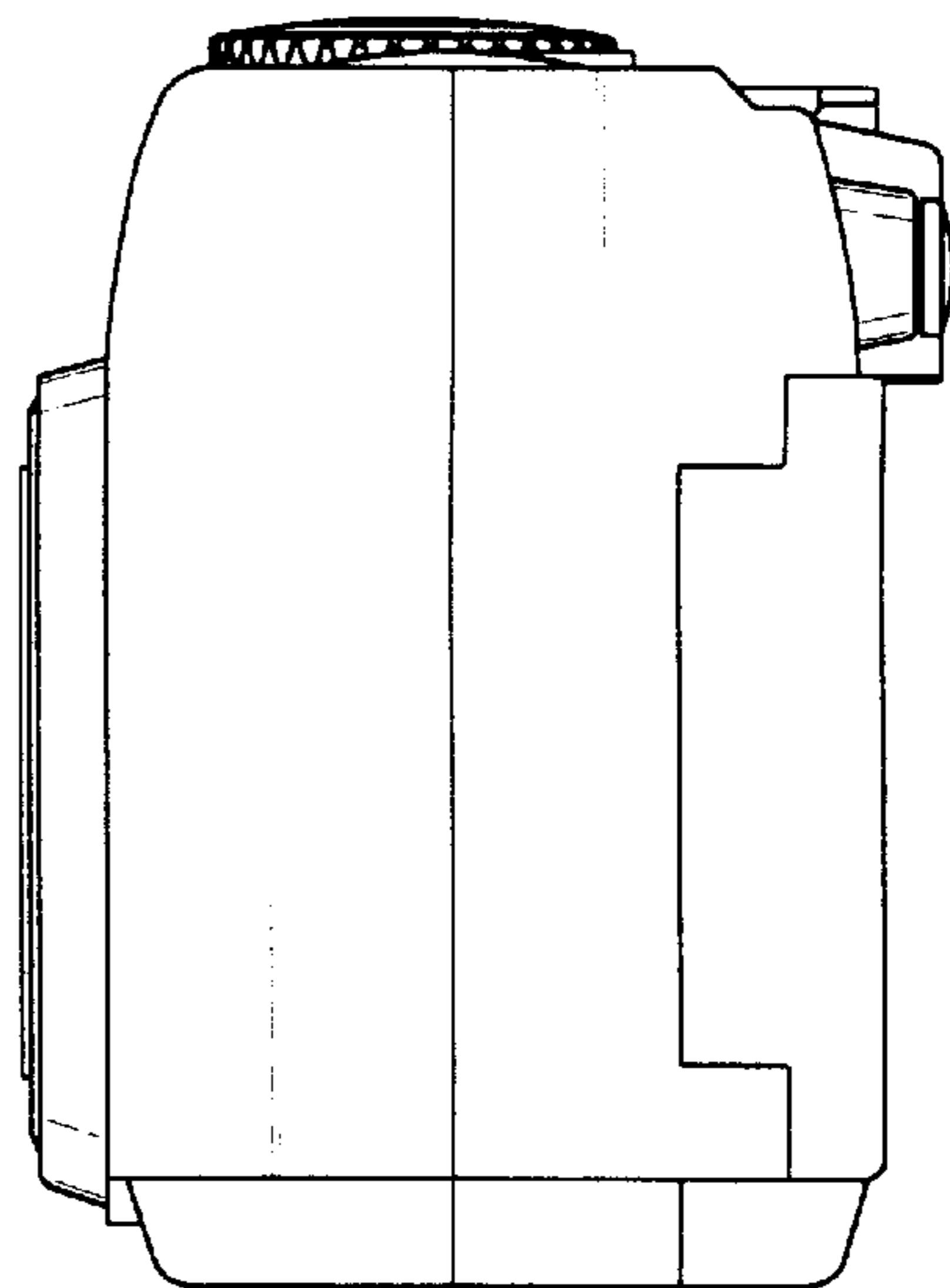


FIG. 6

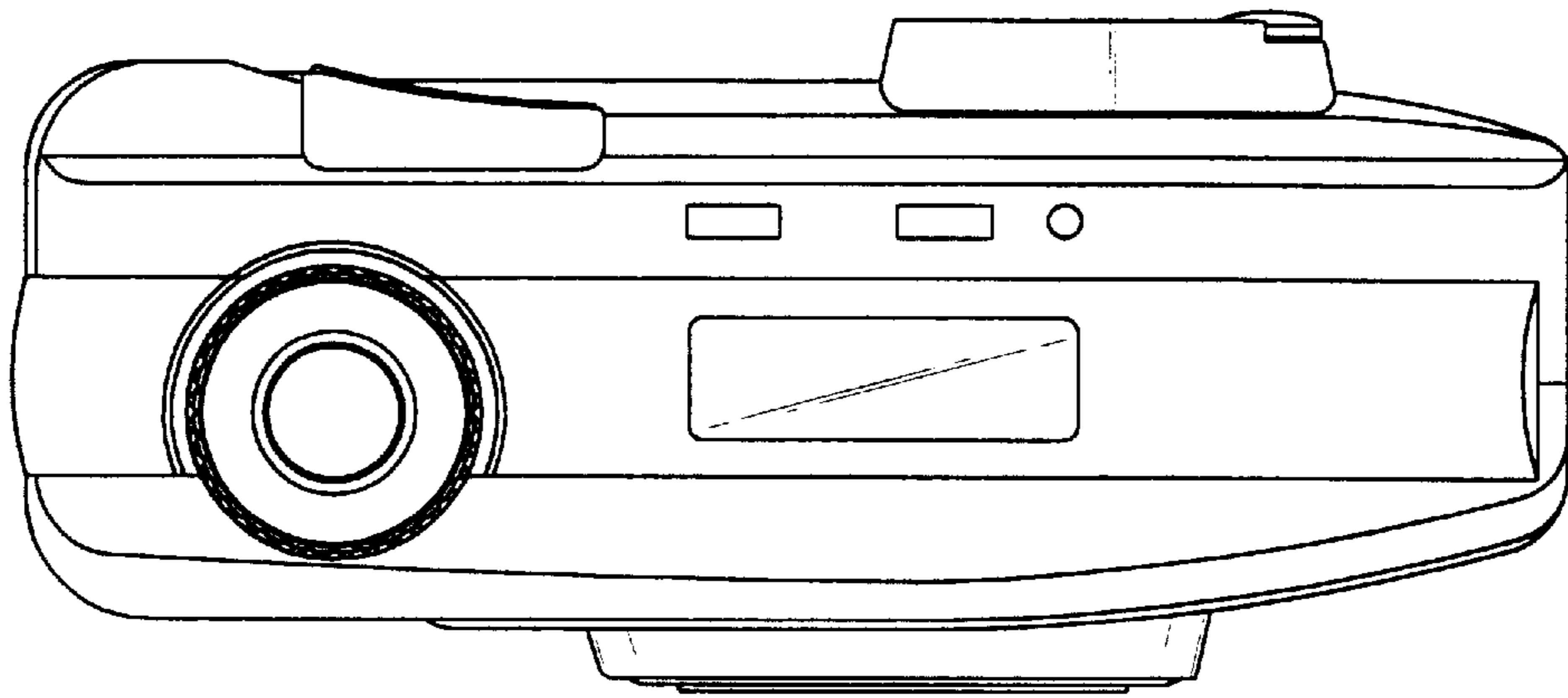


FIG. 7

