



US00D446535B1

(12) **United States Design Patent**  
**Chang**

(10) **Patent No.:** **US D446,535 S**

(45) **Date of Patent:** **\*\* Aug. 14, 2001**

(54) **WIRELESS SURVEILLANCE CAMERA**

3,285,151 \* 11/1966 Black ..... 348/143  
5,631,699 \* 5/1997 Saito ..... 348/143

(75) Inventor: **Mu Jung Chang**, Jubei (TW)

**OTHER PUBLICATIONS**

(73) Assignee: **Tranwo Technology Corporation**,  
Hsinchu (TW)

Vivitar Digital Imaging, Mar. 1998 (ViviCam camera).\*

(\*\*) Term: **14 Years**

\* cited by examiner

(21) Appl. No.: **29/127,746**

*Primary Examiner*—Adir Aronovich

(22) Filed: **Aug. 11, 2000**

(74) *Attorney, Agent, or Firm*—Martine & Penilla, LLP

(51) **LOC (7) Cl.** ..... **16-01**

(52) **U.S. Cl.** ..... **D16/203**

(58) **Field of Search** ..... D16/200–205;  
348/14–20, 143, 373, 374–376; 358/909.1;  
396/535–541, 427

(57) **CLAIM**

The ornamental design for a wireless surveillance camera, as shown and described.

**DESCRIPTION**

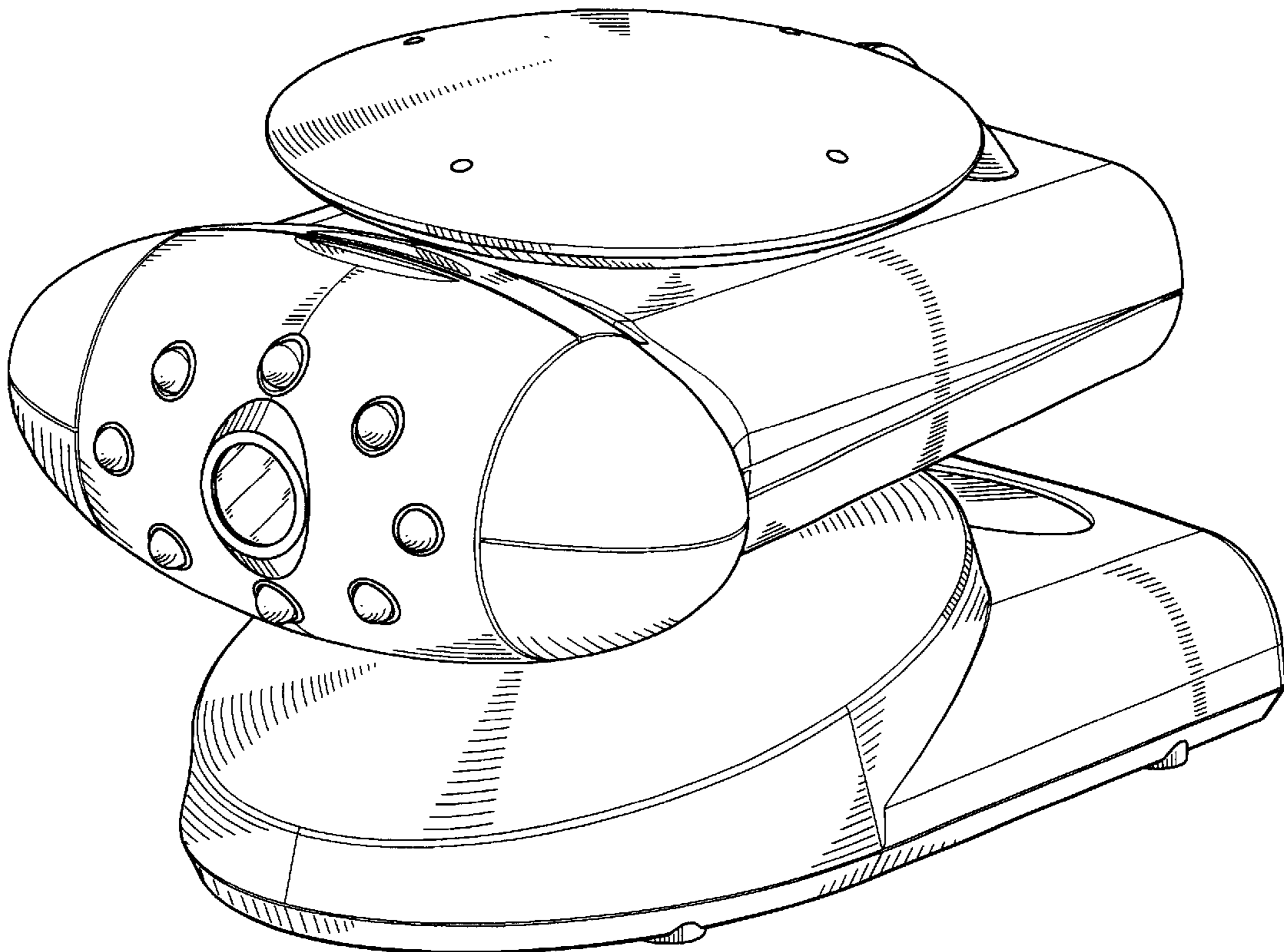
(56) **References Cited**

**U.S. PATENT DOCUMENTS**

D. 355,205	*	2/1995	Yokoi	.....	D16/202
D. 367,488	*	2/1996	Takano et al.	.....	D16/202
D. 386,195	*	11/1997	Oates	.....	D16/202
D. 390,858	*	2/1998	Wen	.....	D16/202
D. 433,046	*	10/2000	Hall et al.	.....	D16/202

FIG. 1 is a perspective view of a wireless surveillance camera that shows our new design; FIG. 2 is a front elevational view thereof; FIG. 3 is a rear elevational view thereof; FIG. 4 is a left side view thereof; FIG. 5 is a right side view thereof; FIG. 6 is a top plan view thereof; and, FIG. 7 is a bottom plan view thereof.

**1 Claim, 5 Drawing Sheets**



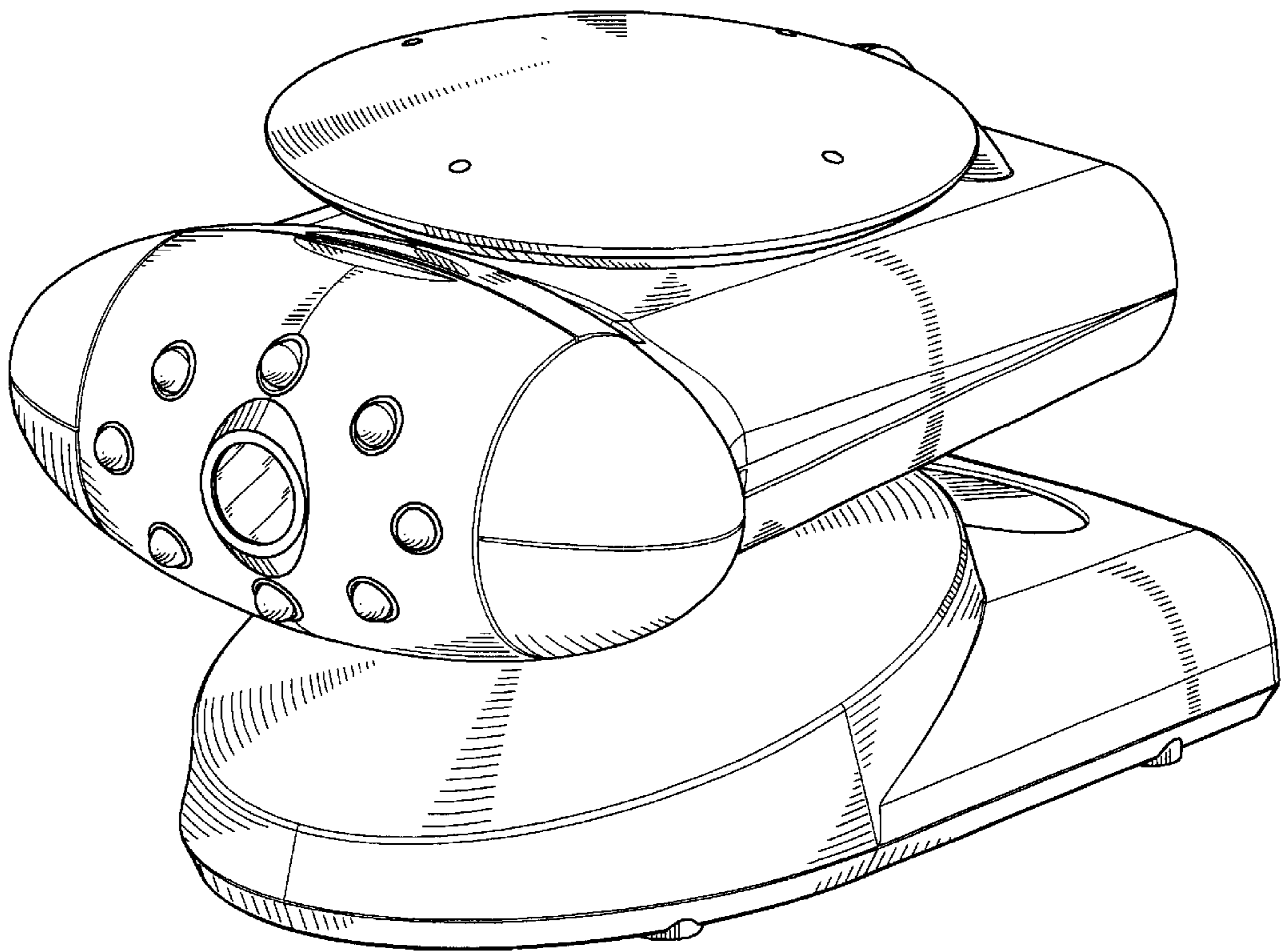


FIG. 1

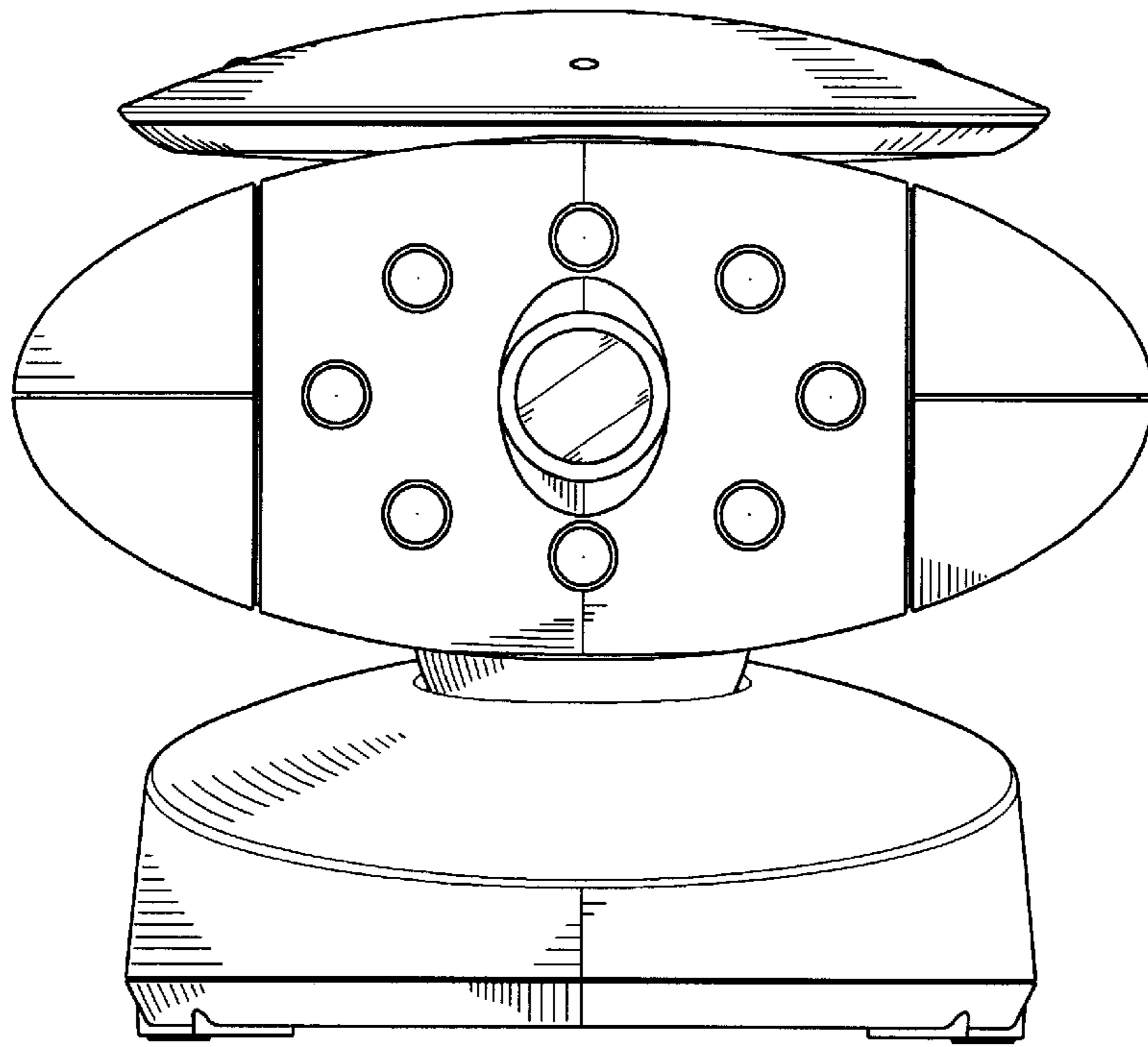


FIG. 2

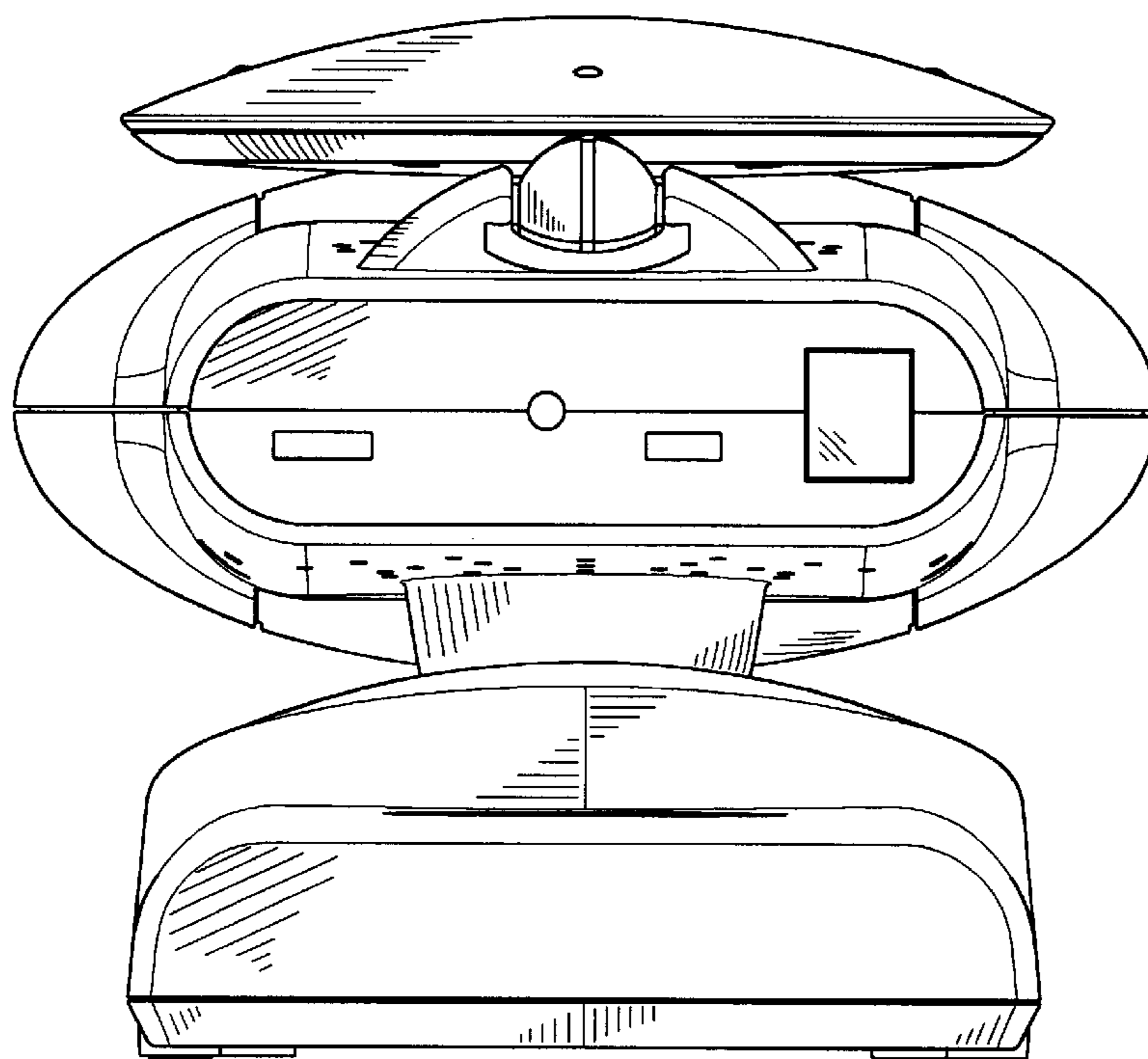


FIG. 3

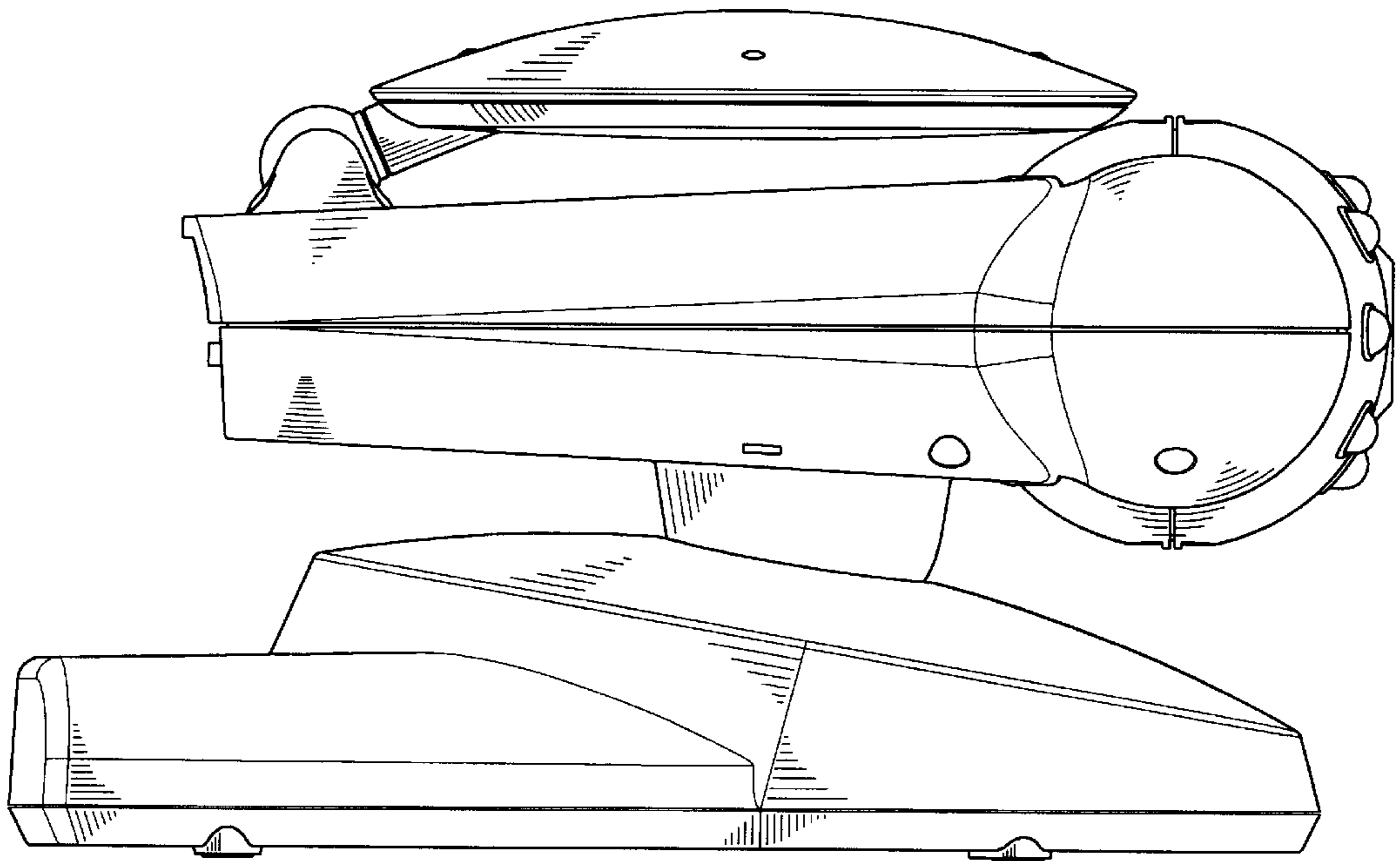


FIG. 4

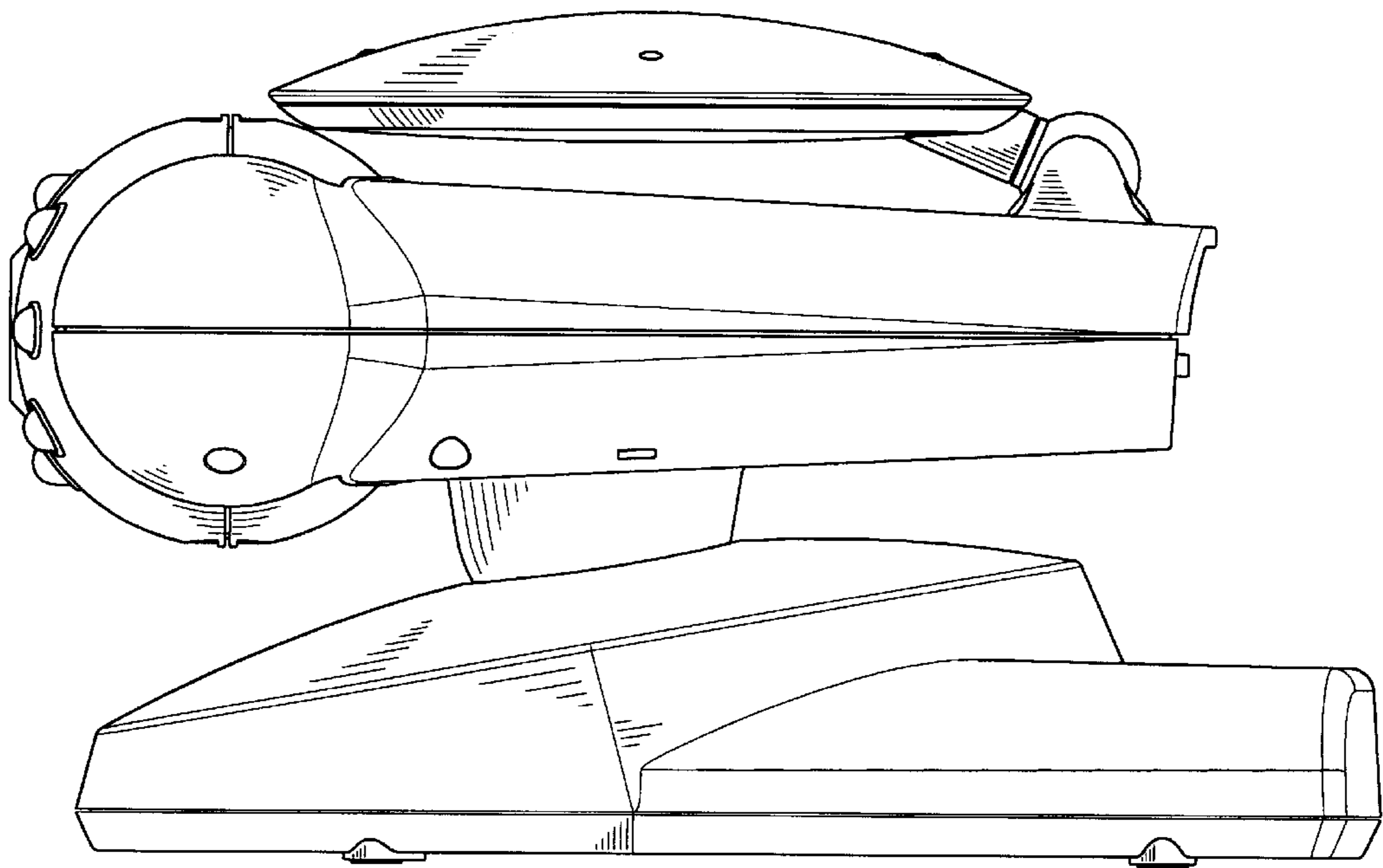


FIG. 5

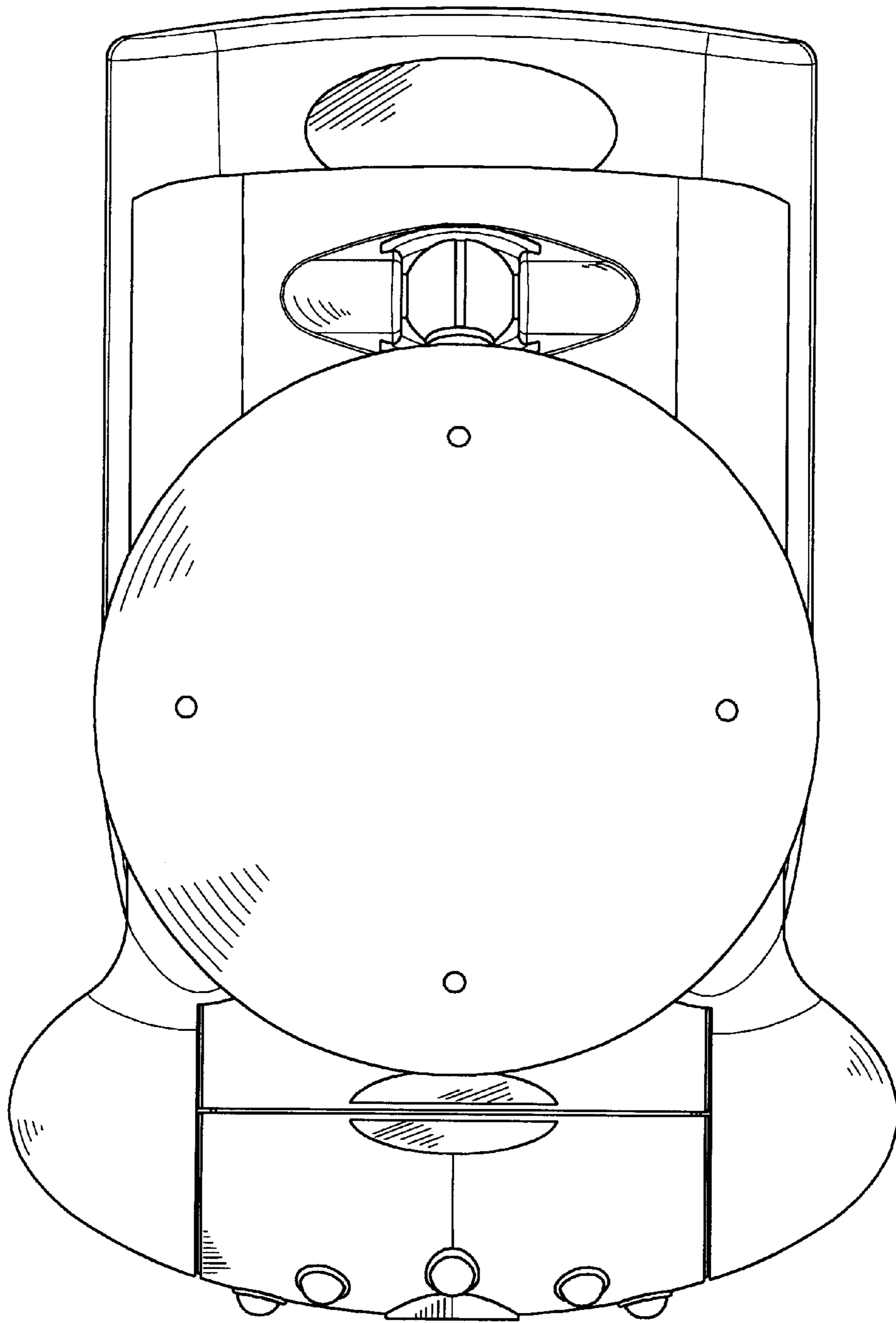


FIG. 6

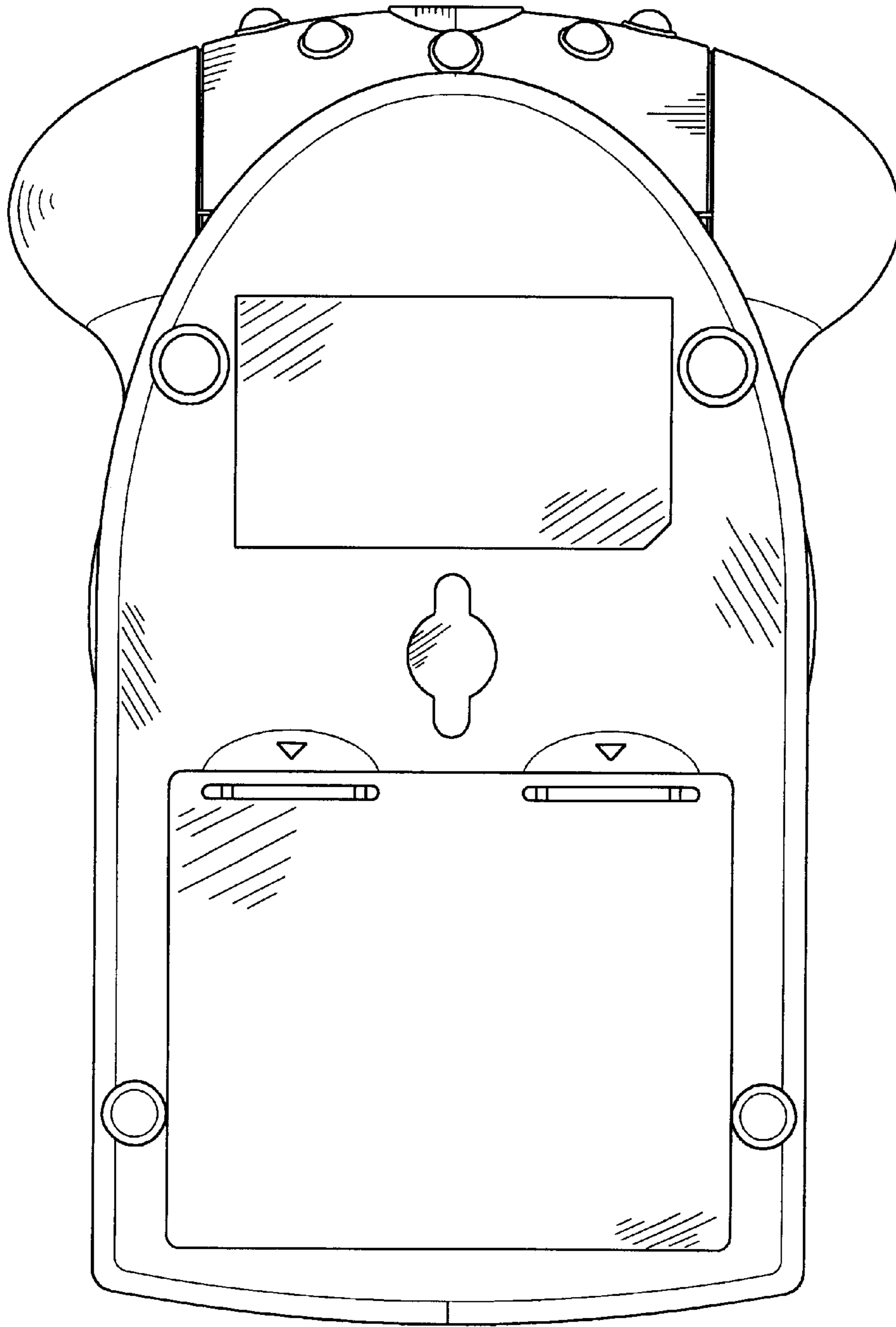


FIG. 7