



US00D446534B1

(12) **United States Design Patent**  
**Zimmer**

(10) **Patent No.:** **US D446,534 S**

(45) **Date of Patent:** **\*\* Aug. 14, 2001**

(54) **SWIVELING HOUSING**

(75) Inventor: **Herbert Zimmer**, Lauf (DE)

(73) Assignees: **Gunther S. Zimmer; Martin J. Zimmer**, both of Rheinau (DE)

(\*\*) Term: **14 Years**

(21) Appl. No.: **29/111,073**

(22) Filed: **Sep. 20, 1999**

(30) **Foreign Application Priority Data**

Mar. 18, 1999 (DE) ..... 499 03 042

(51) **LOC (7) Cl.** ..... **16-01**

(52) **U.S. Cl.** ..... **D16/203**

(58) **Field of Search** ..... D16/200-205;  
348/143, 373-376; 358/909.1; 396/12, 13,  
427, 428

(56) **References Cited**

**U.S. PATENT DOCUMENTS**

- D. 385,571 \* 10/1997 Abrams ..... D16/203
- D. 398,319 \* 9/1998 Chen ..... D16/203
- 3,285,151 \* 11/1966 Black ..... 348/143

- 4,618,886 \* 10/1986 Mooney ..... 348/143
- 5,631,699 \* 5/1997 Saito ..... 348/213
- 5,966,176 \* 10/1999 Chow et al. .... 348/373

\* cited by examiner

*Primary Examiner*—Adir Aronovich

(74) *Attorney, Agent, or Firm*—Horst M. Kasper

(57) **CLAIM**

The ornamental design for a swiveling housing, as shown and described.

**DESCRIPTION**

FIG. 1 is a perspective view of a swiveling housing showing my new design, the cylindrical member being removed for the ease of illustration;

FIG. 2 is a first alternate perspective view thereof;

FIG. 3 is a second alternate perspective view thereof;

FIG. 4 is a third alternate perspective view thereof;

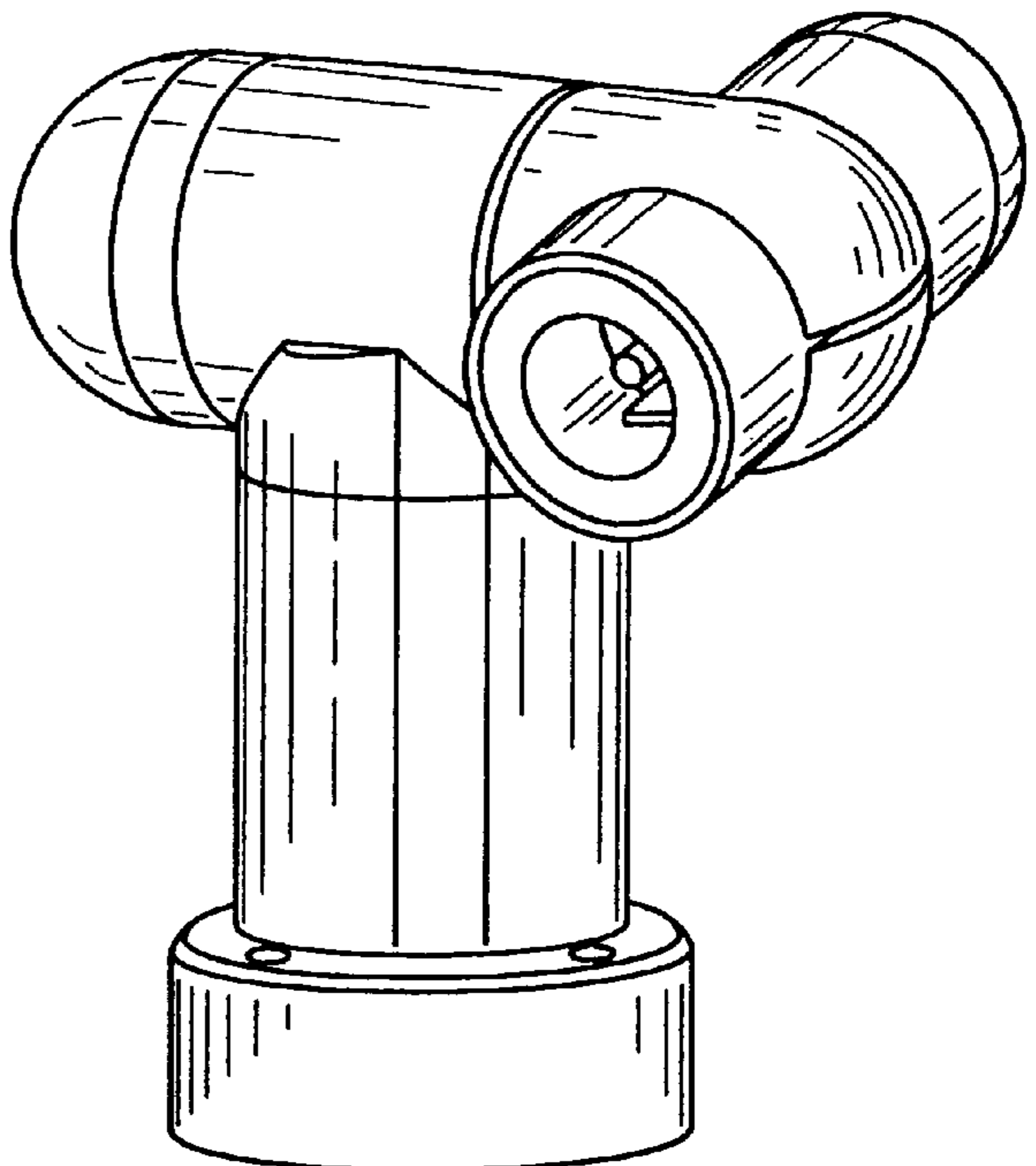
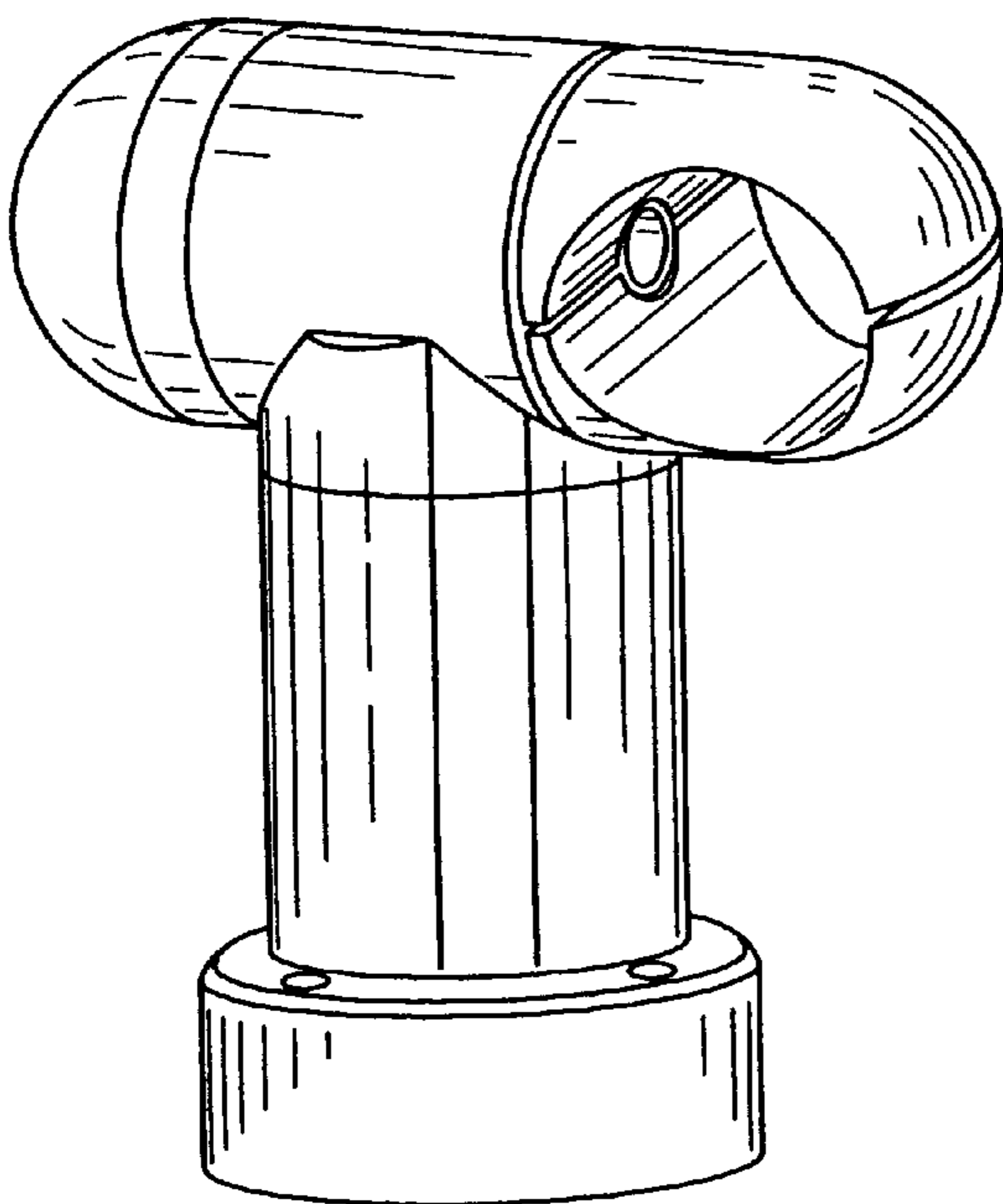
FIG. 5 is a perspective view of the swiveling housing, the cylindrical member being inserted thereon;

FIG. 6 is a first alternate perspective view thereof,

FIG. 7 is a second alternate perspective view thereof; and,

FIG. 8 is a third alternate perspective view thereof.

**1 Claim, 4 Drawing Sheets**



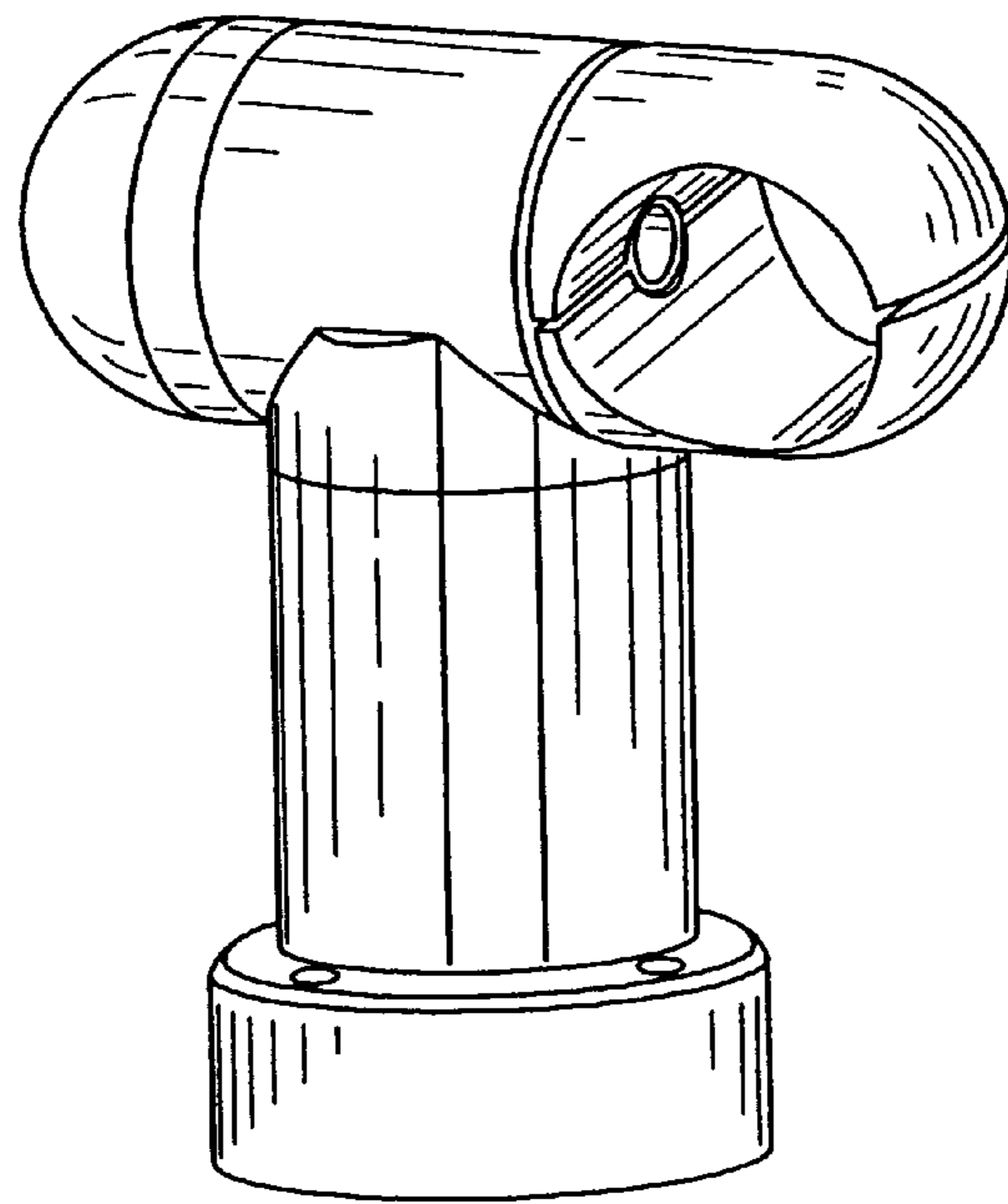


Fig.1

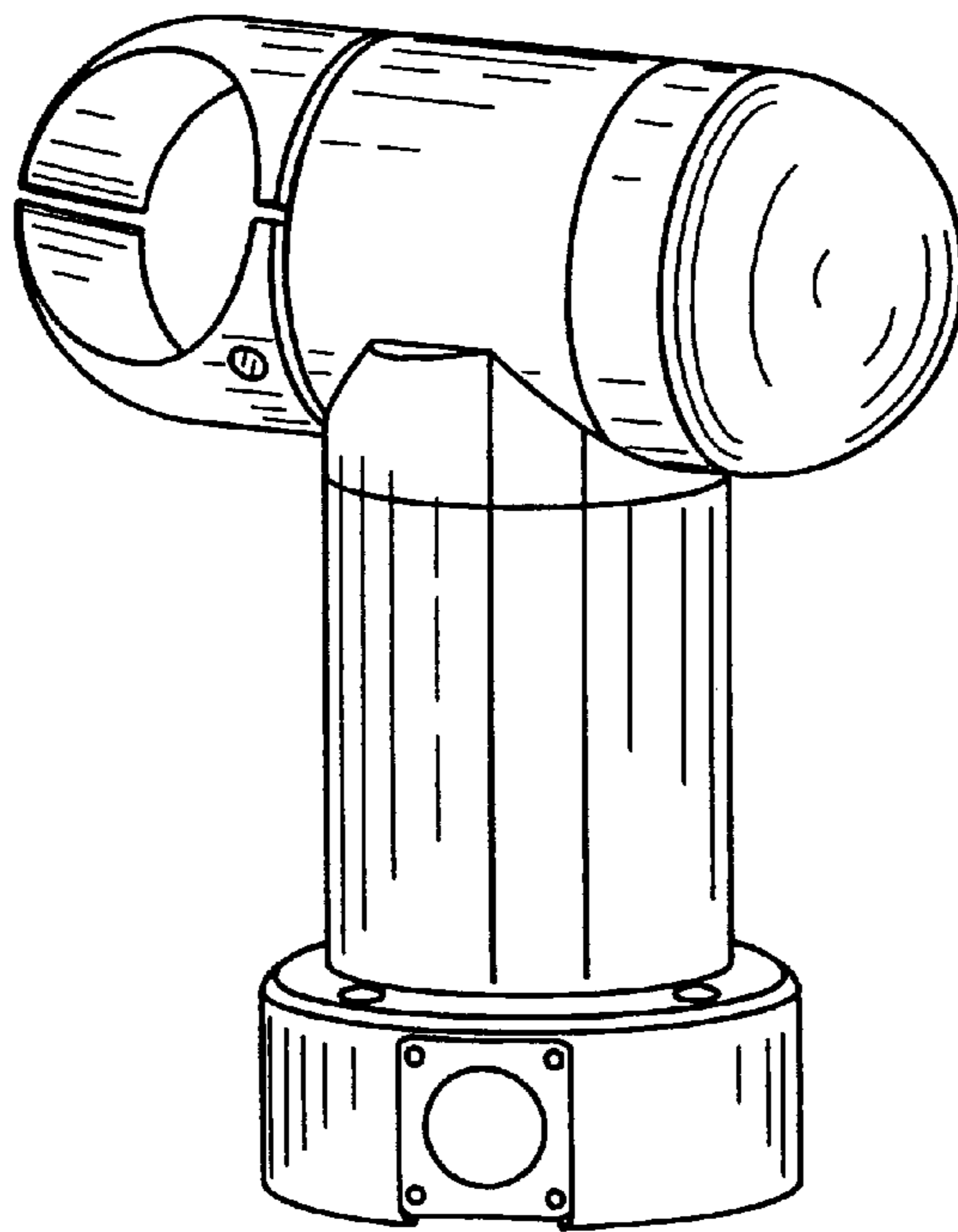


Fig.2

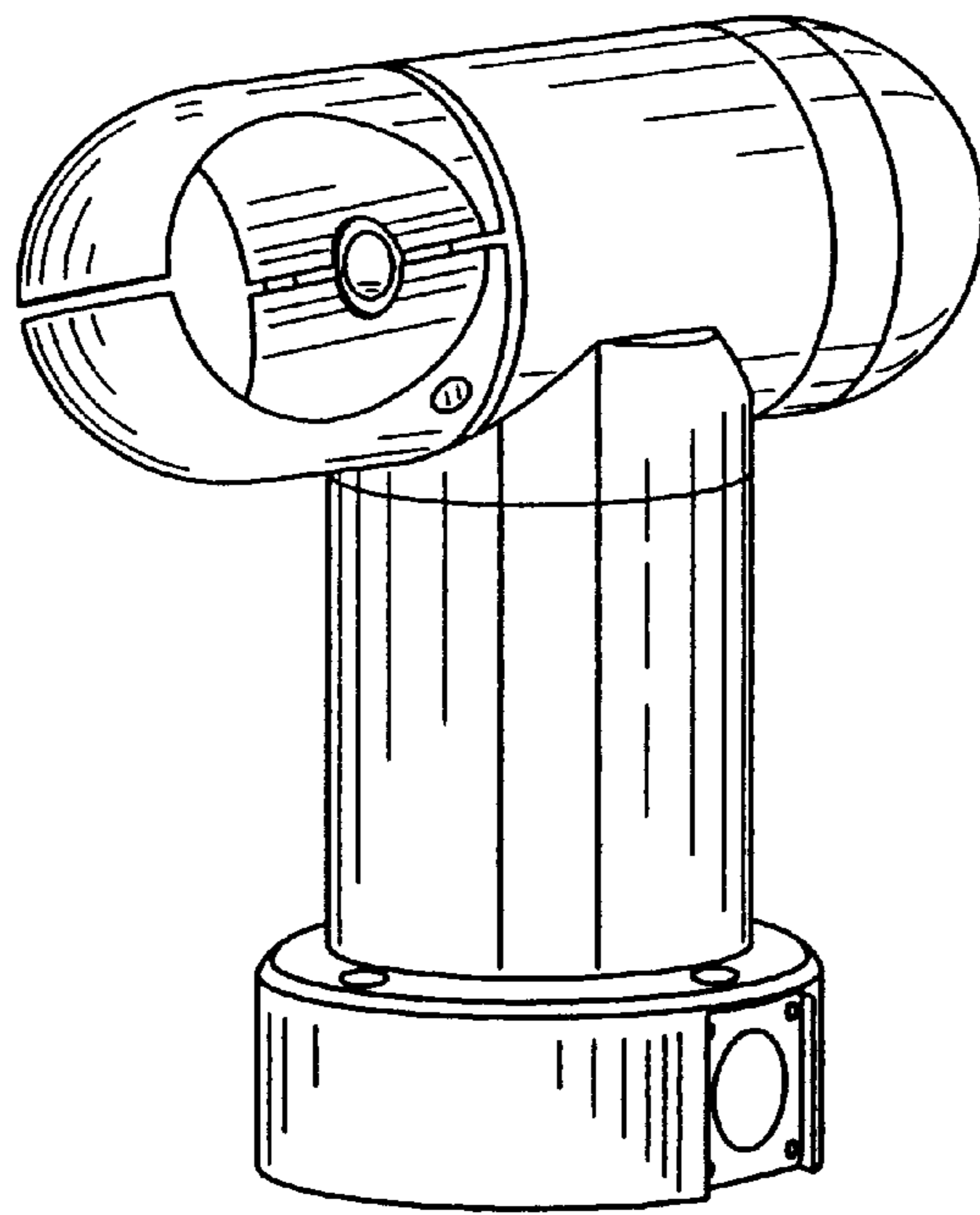


Fig.3

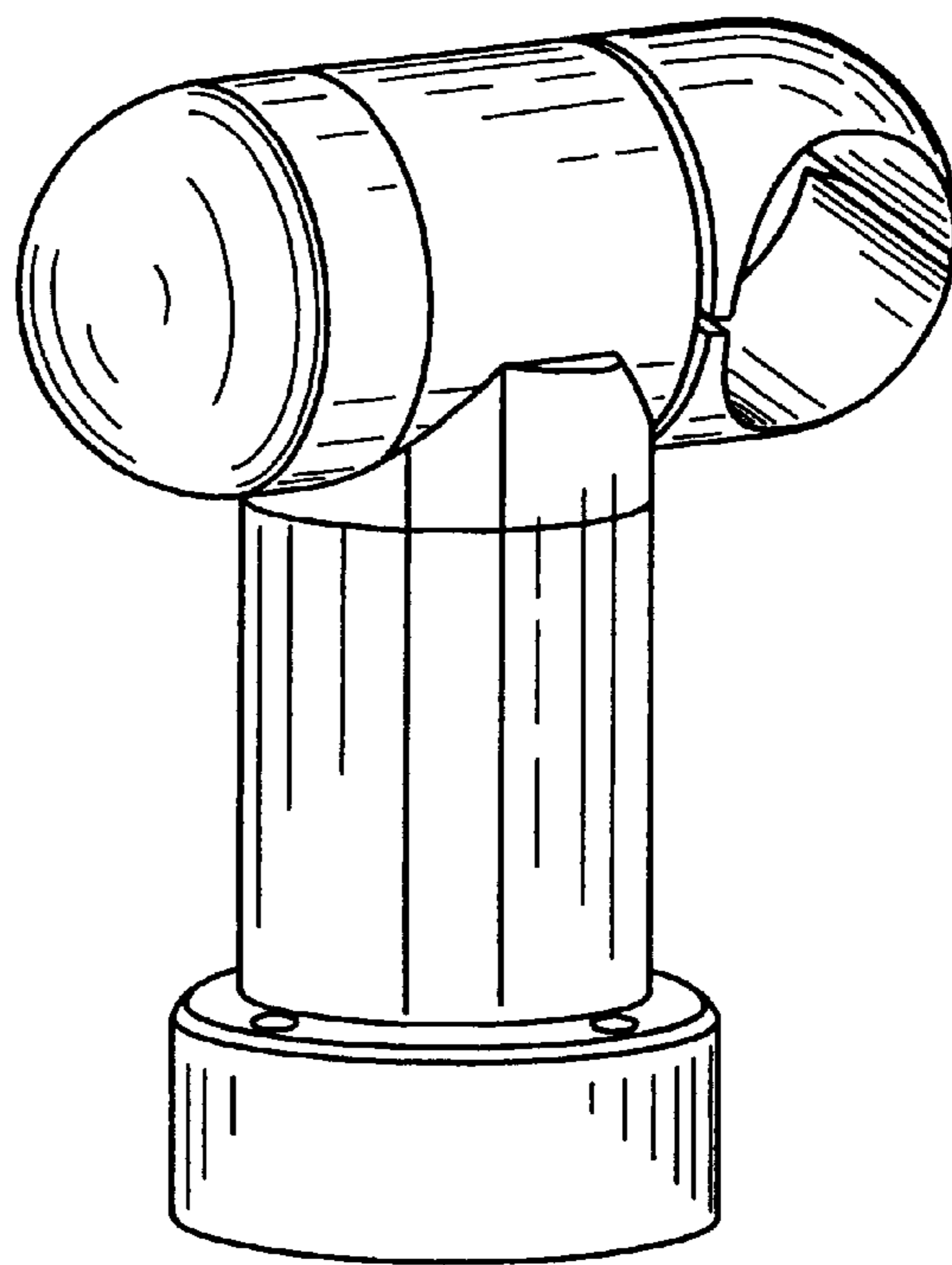


Fig.4

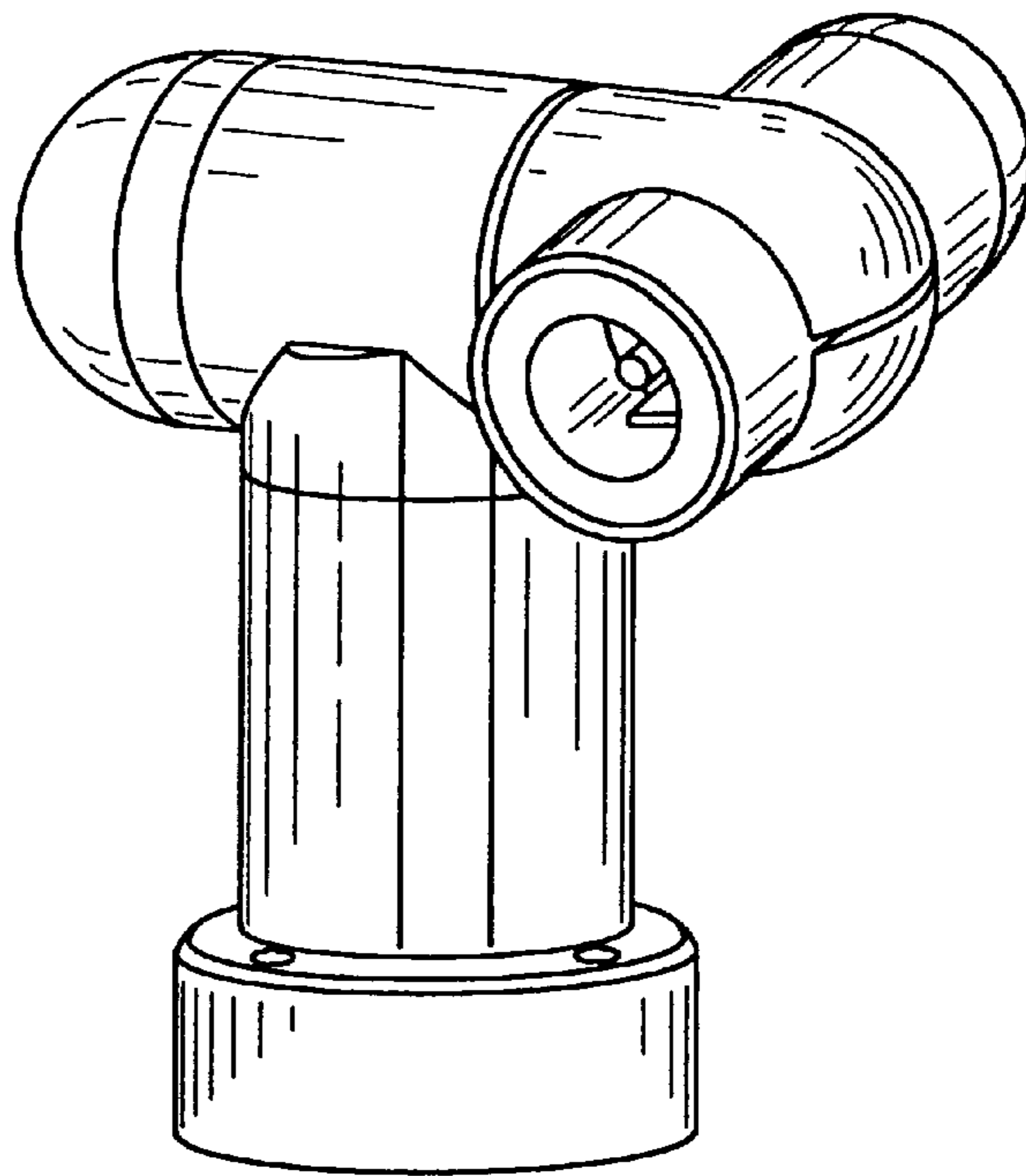


Fig.5

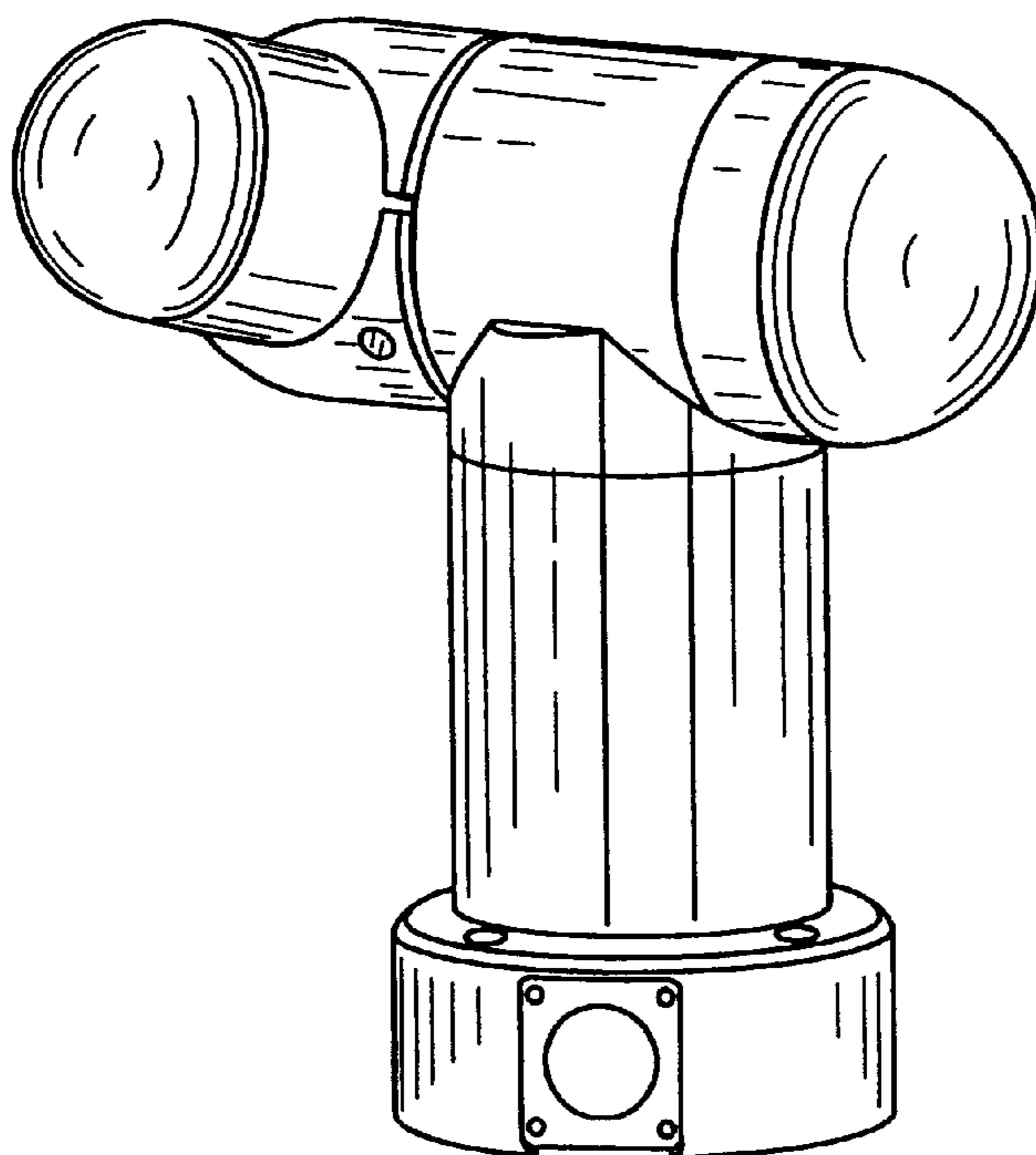


Fig.6

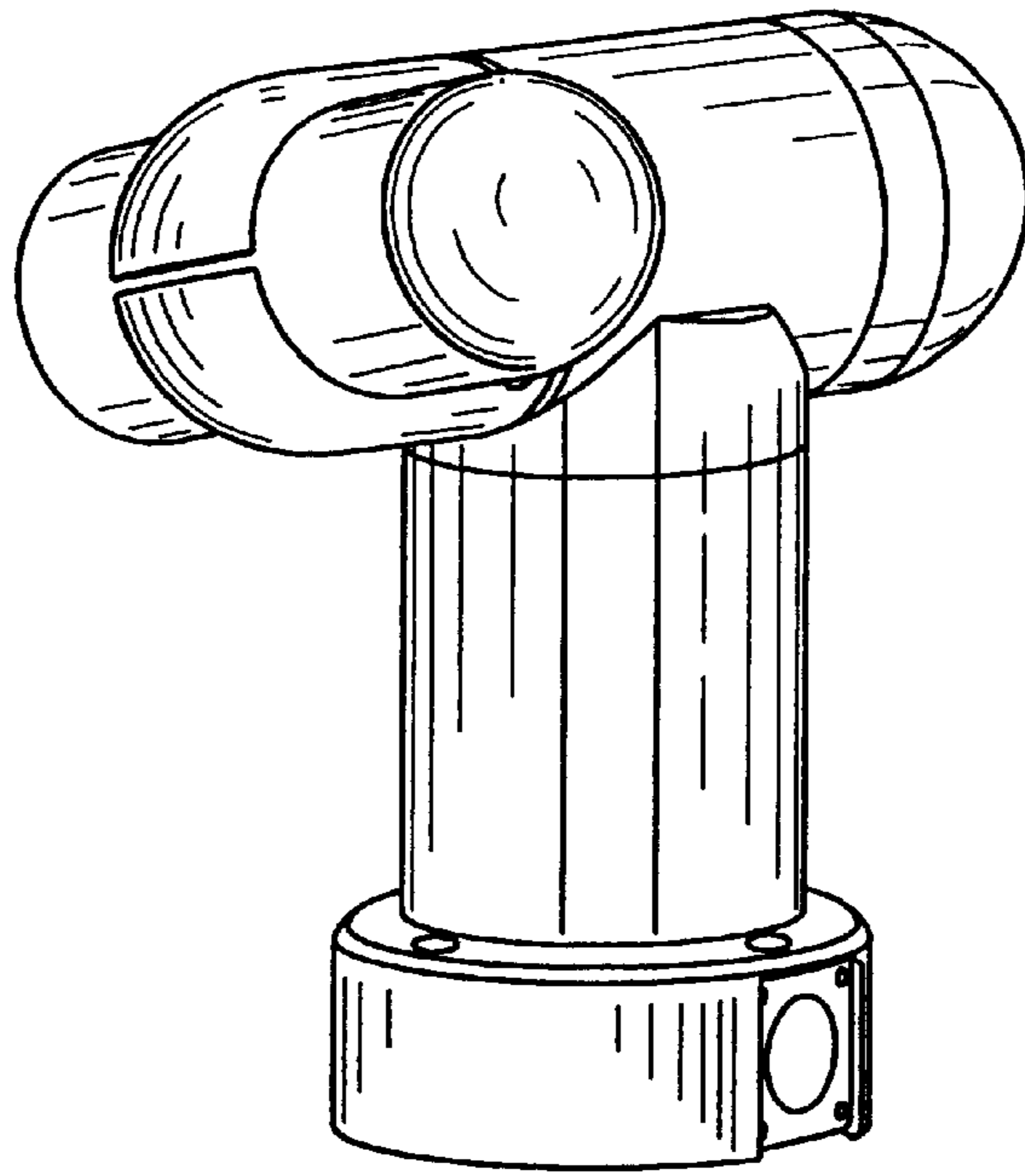


Fig. 7

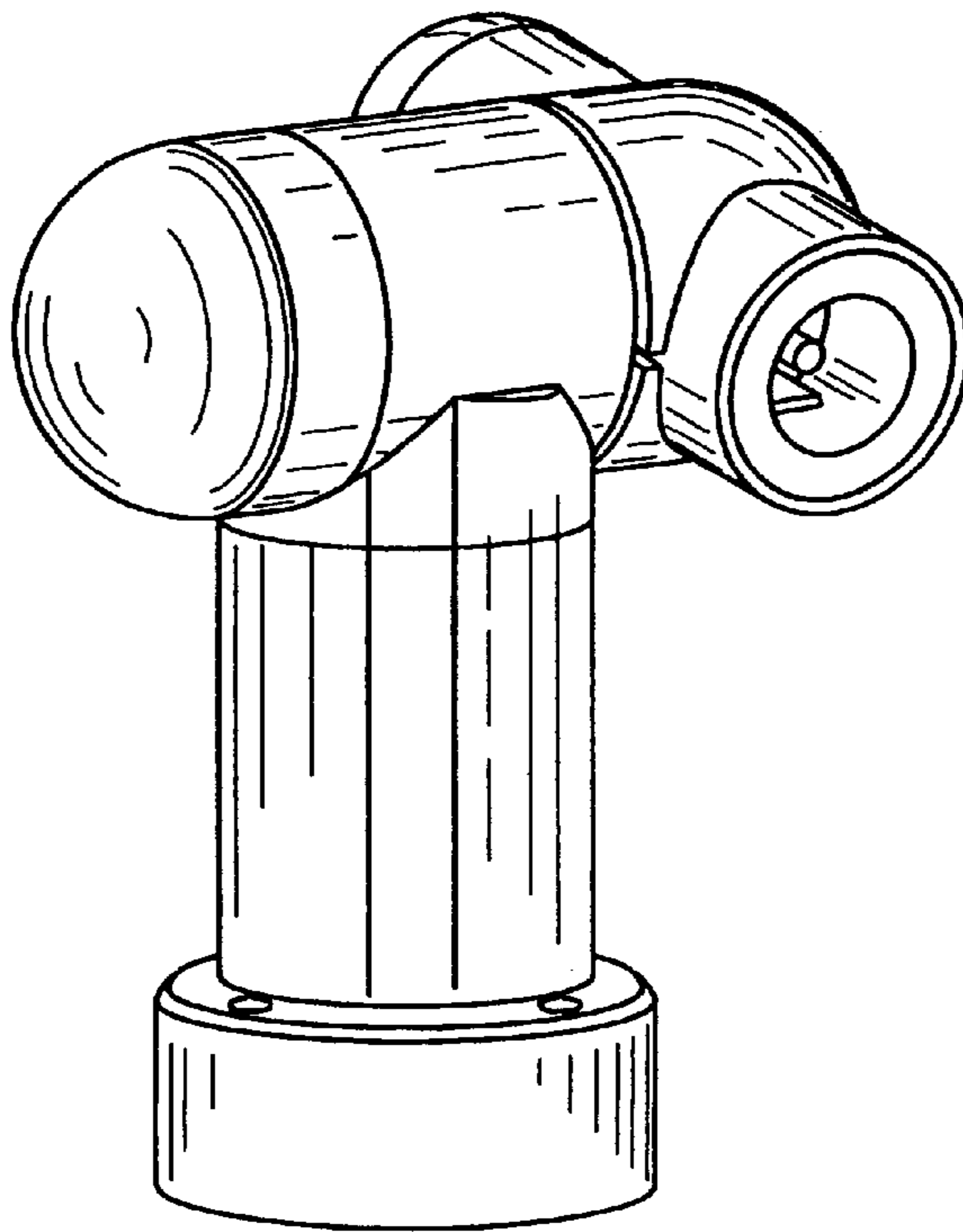


Fig. 8