



US00D446532B1

(12) **United States Design Patent**
Takahashi

(10) **Patent No.:** **US D446,532 S**

(45) **Date of Patent:** **** Aug. 14, 2001**

(54) **CAMERA**

(75) Inventor: **Jun Takahashi**, Hachioji (JP)

(73) Assignee: **Olympus Optical Co., Ltd.**, Tokyo (JP)

(**) Term: **14 Years**

(21) Appl. No.: **29/127,320**

(22) Filed: **Aug. 3, 2000**

(30) **Foreign Application Priority Data**

Jun. 9, 2000 (JP) 12-015715

(51) **LOC (7) Cl.** **16-01**

(52) **U.S. Cl.** **D16/202; D16/206**

(58) **Field of Search** D16/200–206,
D16/208, 217, 218; 348/373–376; 358/906,
909.1; 396/535–541

(56) **References Cited**

U.S. PATENT DOCUMENTS

- D. 315,357 * 3/1991 Fukutomi D16/202
- D. 397,707 * 9/1998 Naitou D16/202
- D. 402,301 * 12/1998 Sekine D16/202
- D. 408,040 * 4/1999 Miyahara D16/202

- D. 416,271 * 11/1999 Ikenaga D16/202
- D. 433,693 * 11/2000 Kobayashi D16/202
- 4,945,372 * 7/1990 Higuchi et al. 396/61
- 6,033,130 * 3/2000 Muroi et al. 396/535

* cited by examiner

Primary Examiner—Adir Aronovich

(74) *Attorney, Agent, or Firm*—Hogan & Hartson, LLP

(57) **CLAIM**

The ornamental design for a camera, as shown and described.

DESCRIPTION

FIG. 1 is a front, top and right side perspective view of a camera showing my new design;
 FIG. 2 is a rear, bottom and left side perspective view thereof;
 FIG. 3 is a front elevational view thereof;
 FIG. 4 is a rear elevational view thereof;
 FIG. 5 is a top plan view thereof;
 FIG. 6 is a bottom plan view thereof;
 FIG. 7 is a right side elevational view thereof; and,
 FIG. 8 is a left side elevational view thereof.

1 Claim, 7 Drawing Sheets

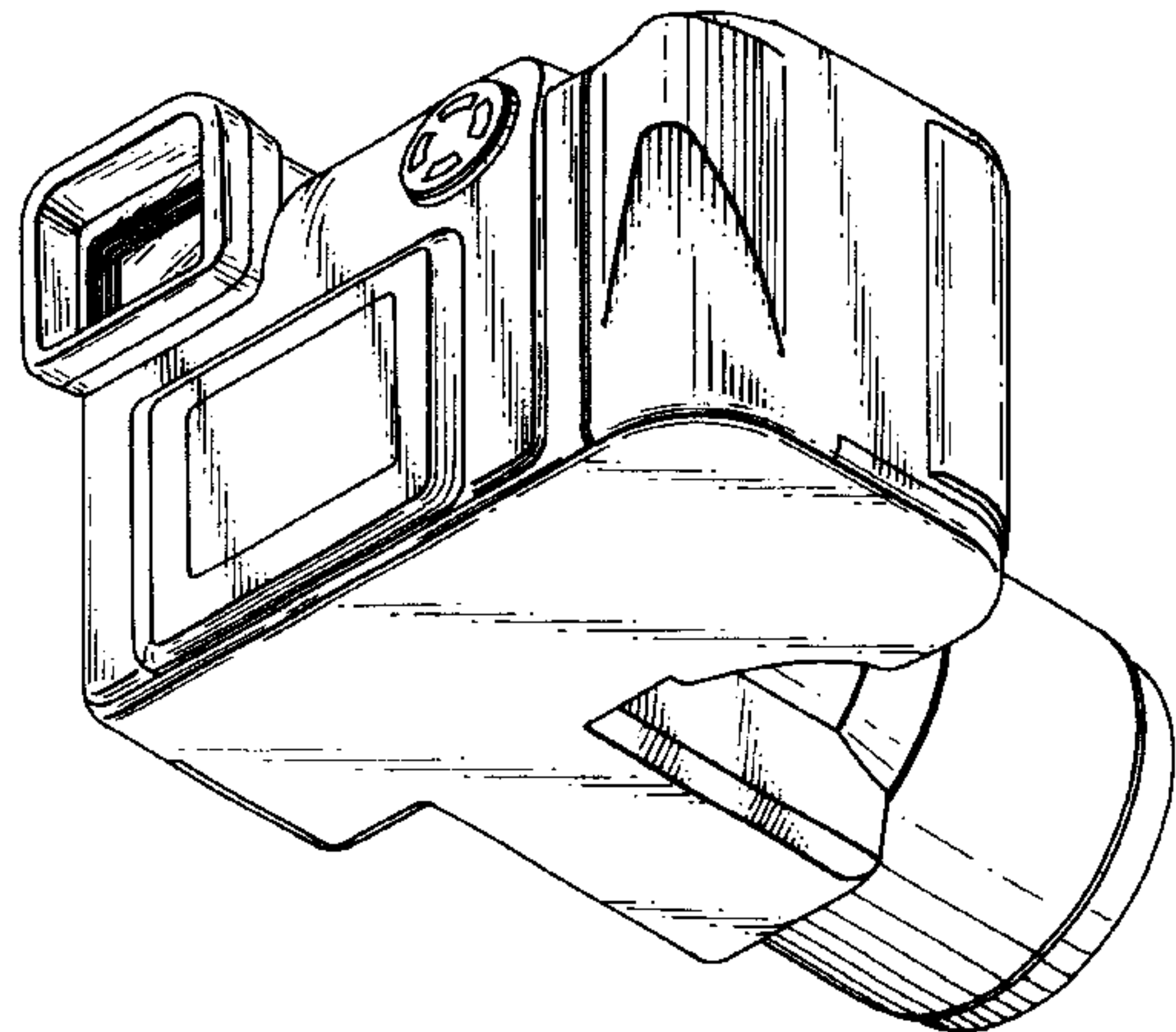
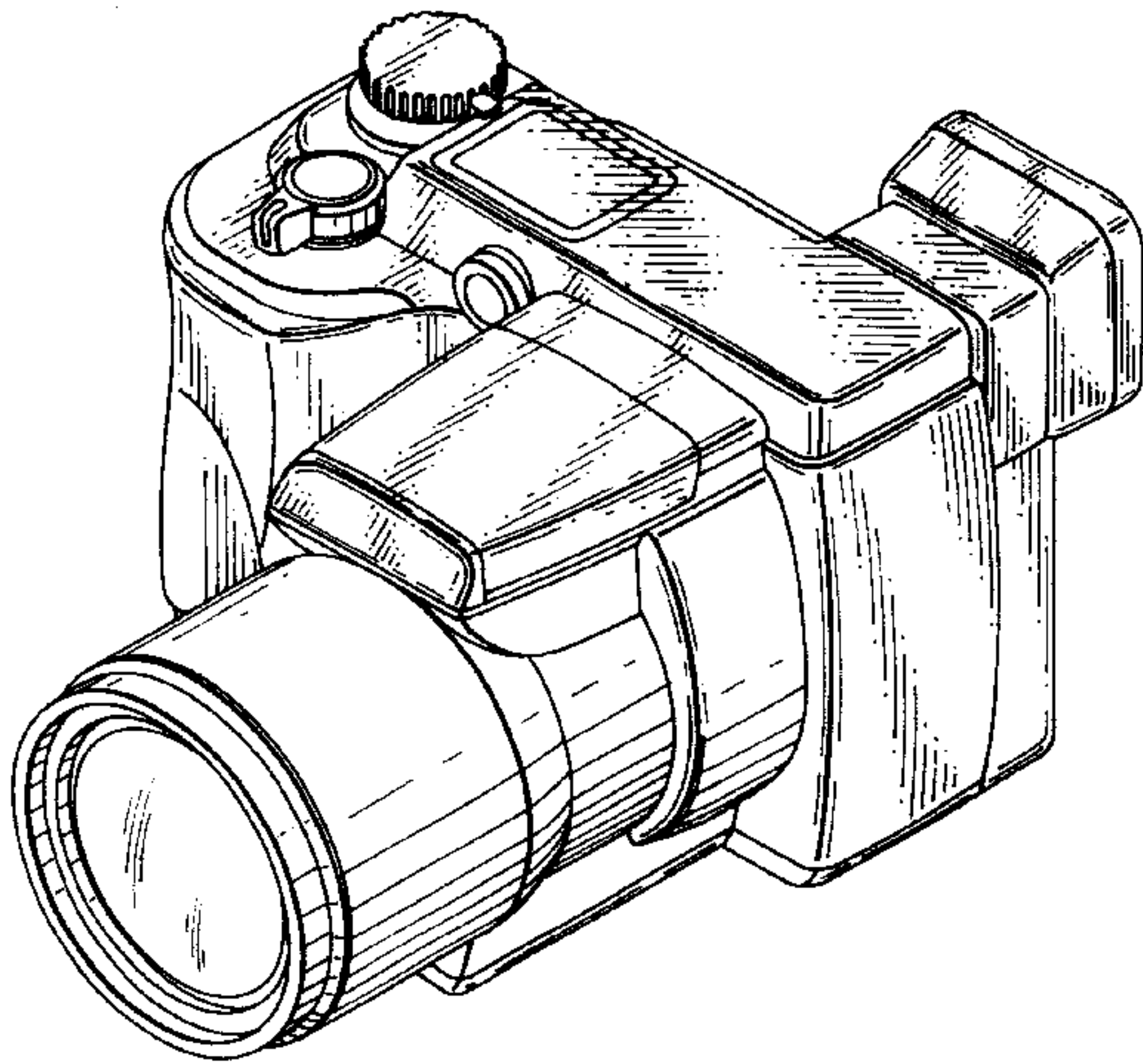


FIG. 1

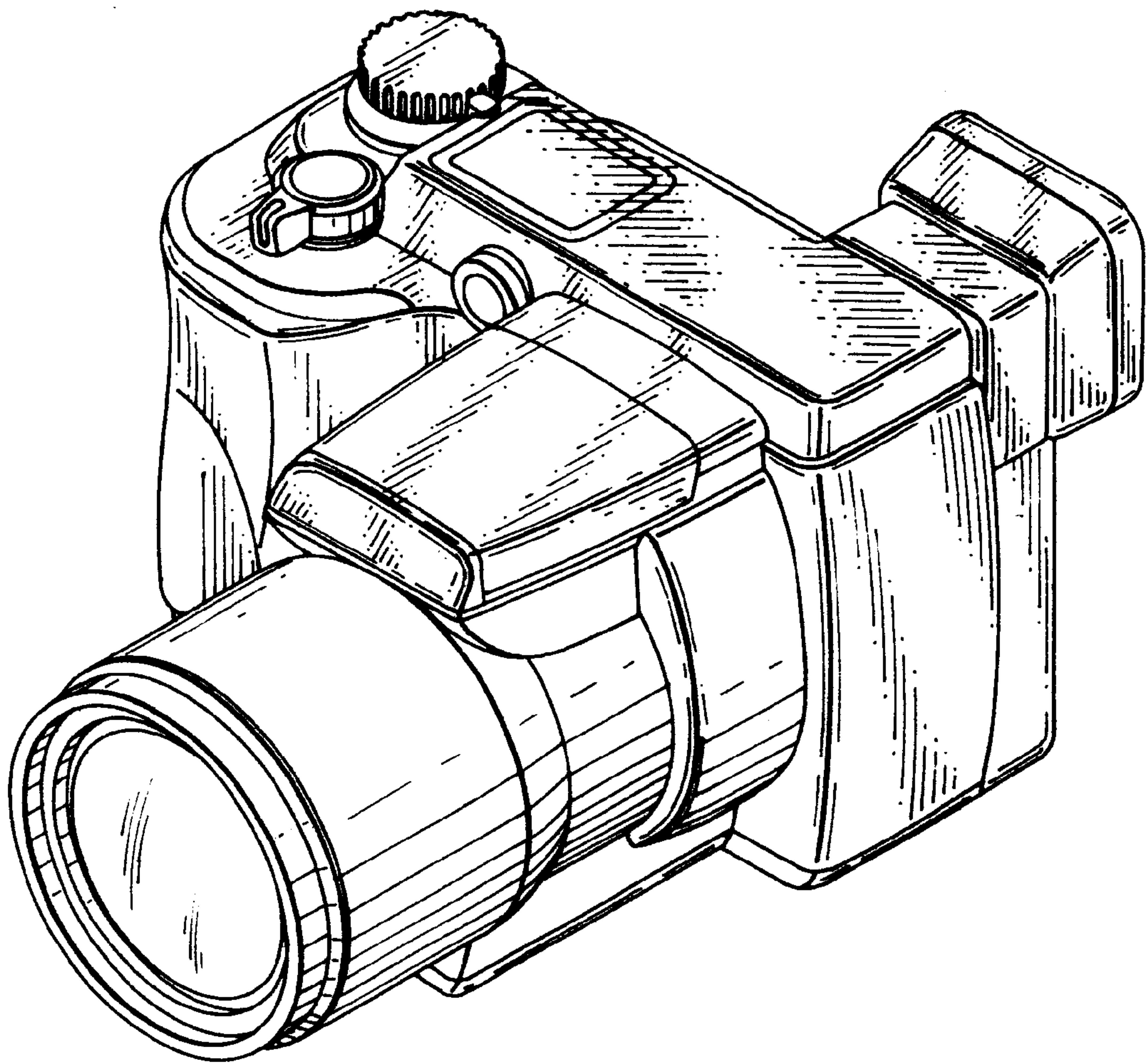


FIG. 2

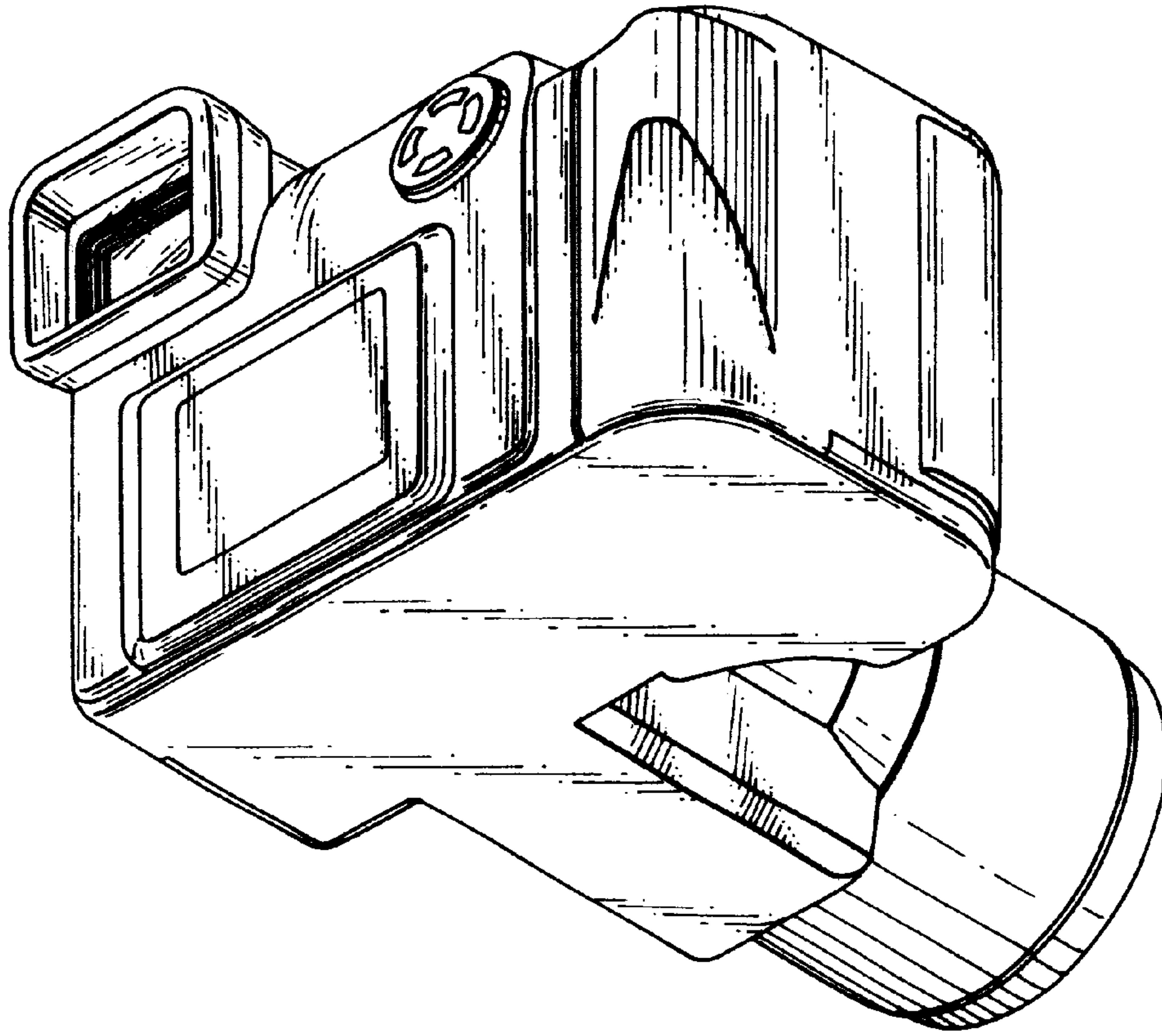


FIG. 3

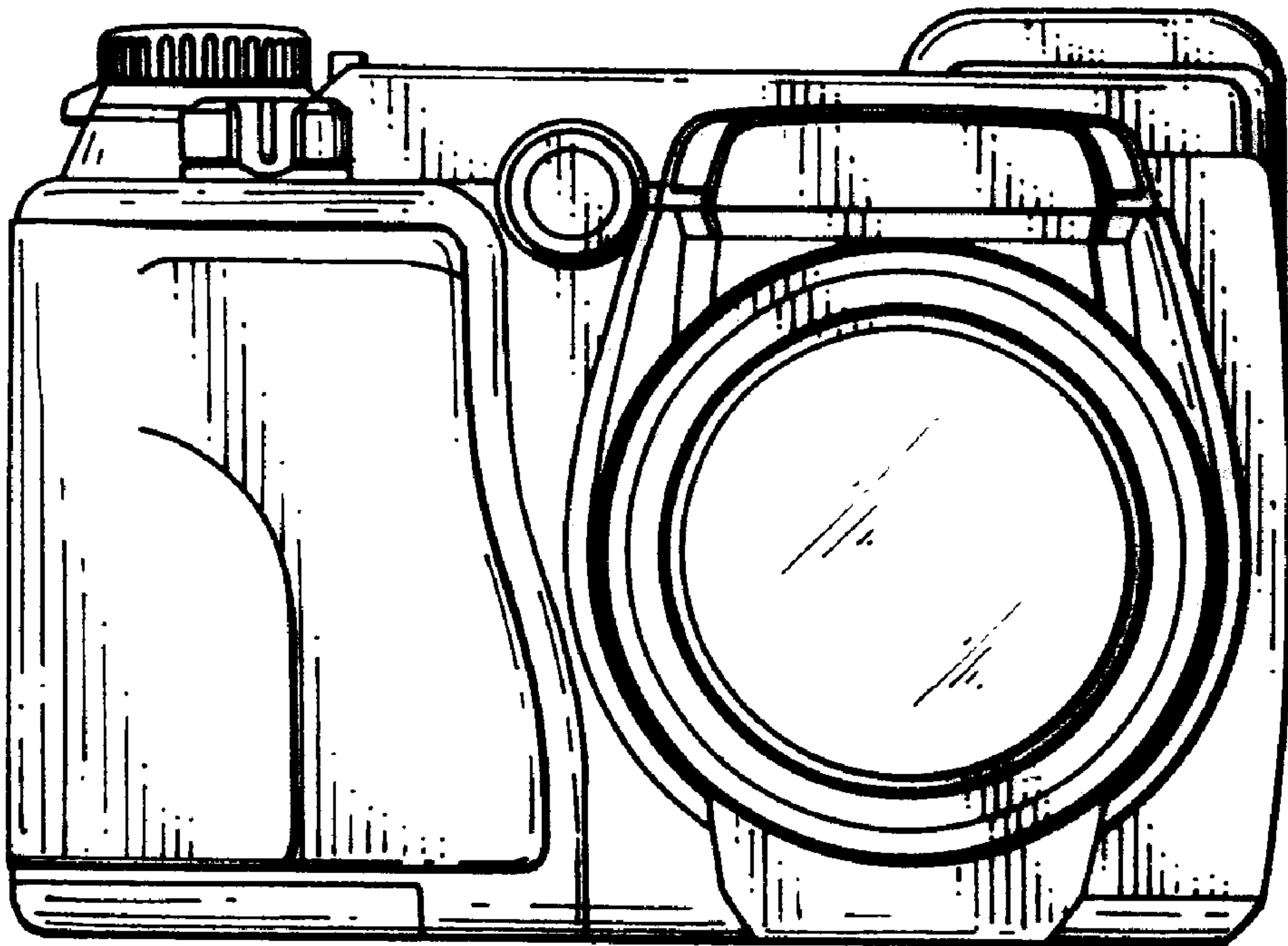


FIG. 4

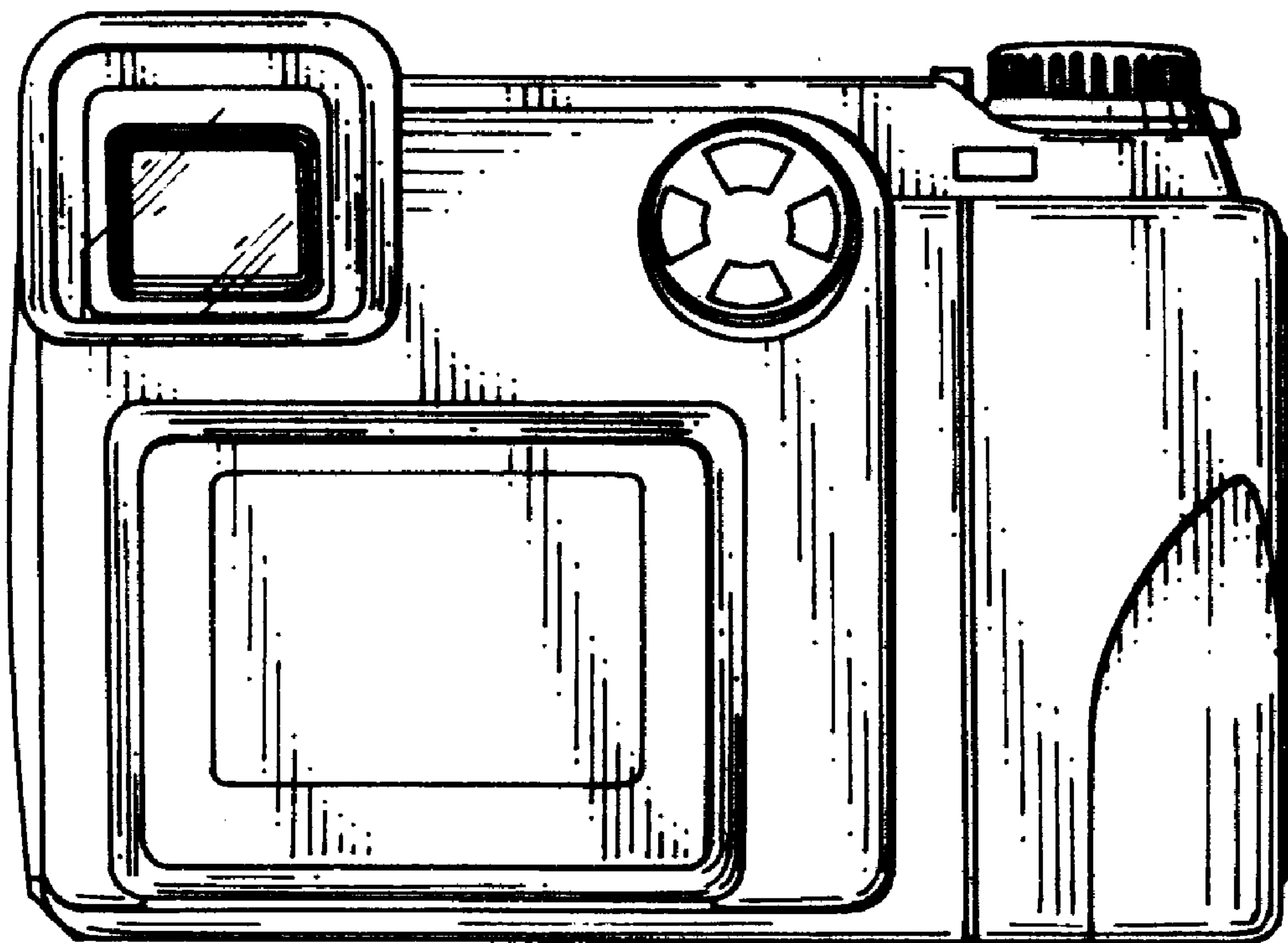


FIG. 5

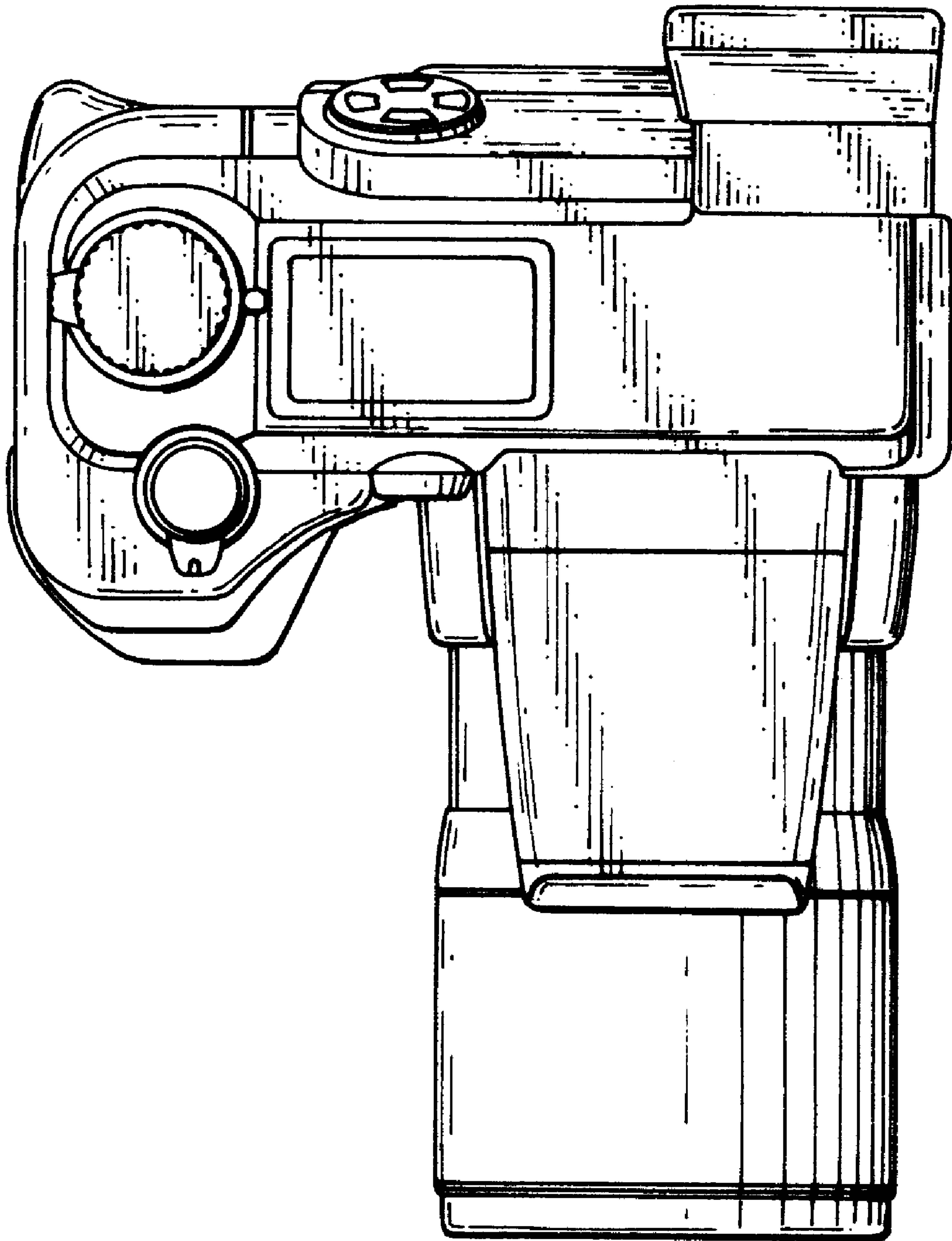


FIG. 6

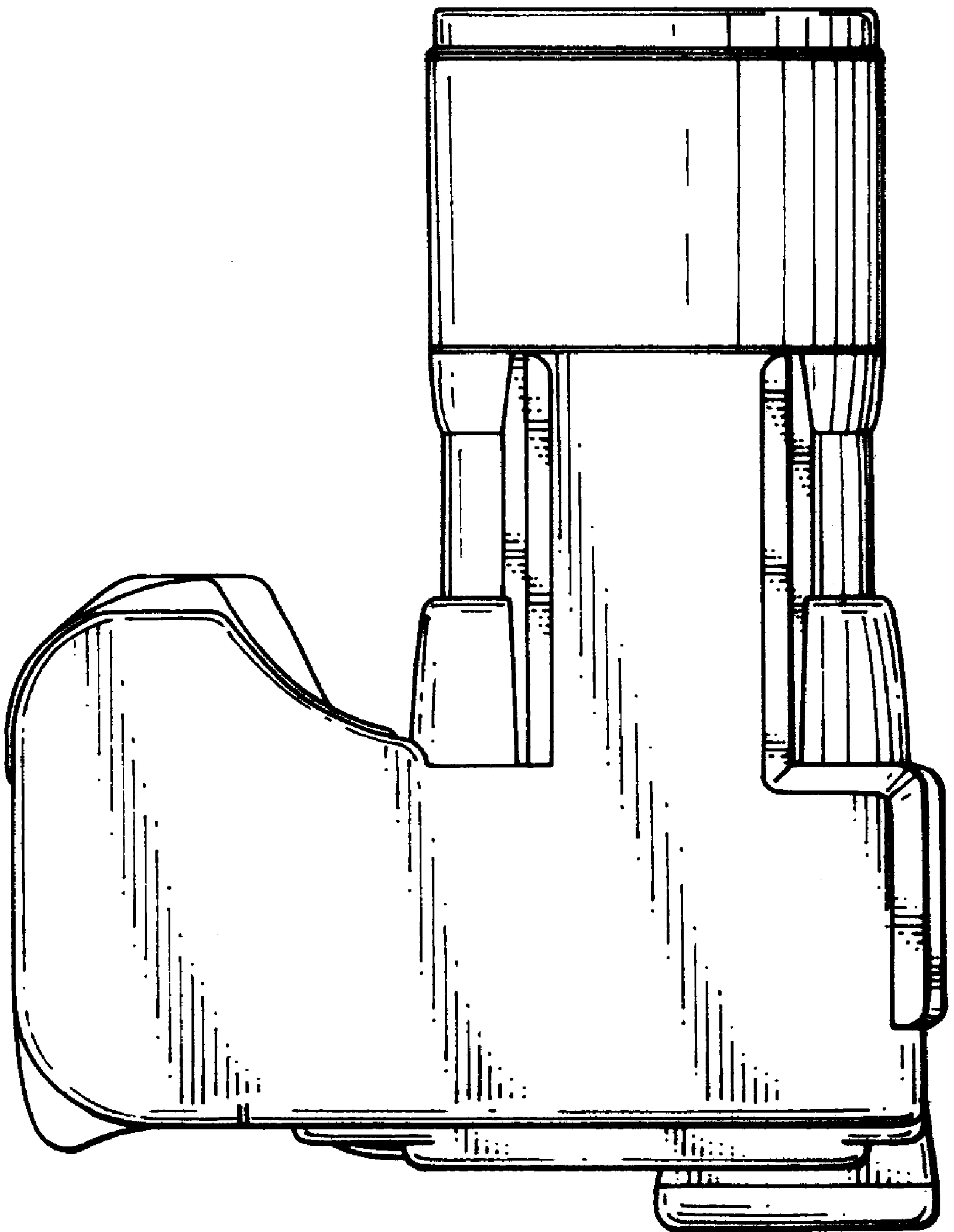


FIG. 8

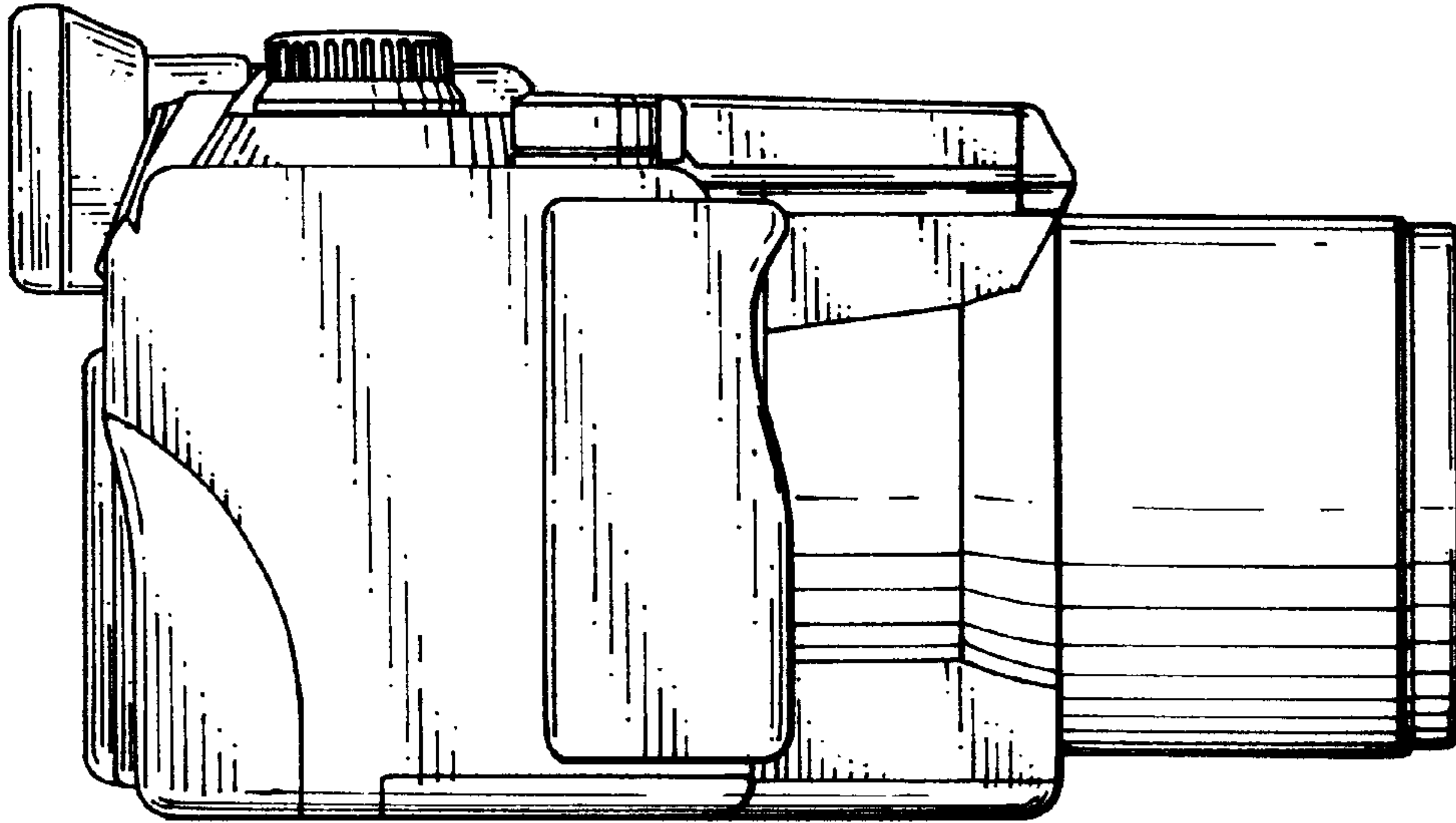


FIG. 7

