



US00D446531B1

(12) **United States Design Patent**  
**Beck et al.**

(10) **Patent No.: US D446,531 S**

(45) **Date of Patent: \*\* Aug. 14, 2001**

(54) **VIDEO CAMERA**

(75) Inventors: **Benjamin J. Beck**, Boston; **Anthony M. Duys**, Newburyport, both of MA (US); **Frank Labuski**, York, ME (US)

(73) Assignee: **PictureTel Corporation**, Andover, MA (US)

(\*\*) Term: **14 Years**

(21) Appl. No.: **29/099,157**

(22) Filed: **Jan. 14, 1999**

(51) **LOC (7) Cl.** ..... **16-01**

(52) **U.S. Cl.** ..... **D16/202**

(58) **Field of Search** ..... D16/200-205; 348/14-20, 373-376; 358/906, 909.1; 396/535-541

(56) **References Cited**

**U.S. PATENT DOCUMENTS**

- D. 387,788 \* 12/1997 Jeong et al. .... D16/202
- D. 390,244 \* 2/1998 Yamakawa et al. .... D16/202
- D. 394,274 \* 5/1998 Suzuki ..... D16/202
- D. 400,549 \* 11/1998 Wakefield ..... D16/202
- 5,633,681 \* 5/1997 Baxter et al. .... 348/373
- 5,734,414 \* 3/1998 Nishimura et al. .... 348/14

**OTHER PUBLICATIONS**

Vivitar Digital Imaging, Mar., 1998 (ViviCam camera).\*

\* cited by examiner

*Primary Examiner*—Adir Aronovich

(74) *Attorney, Agent, or Firm*—Ropes & Gray

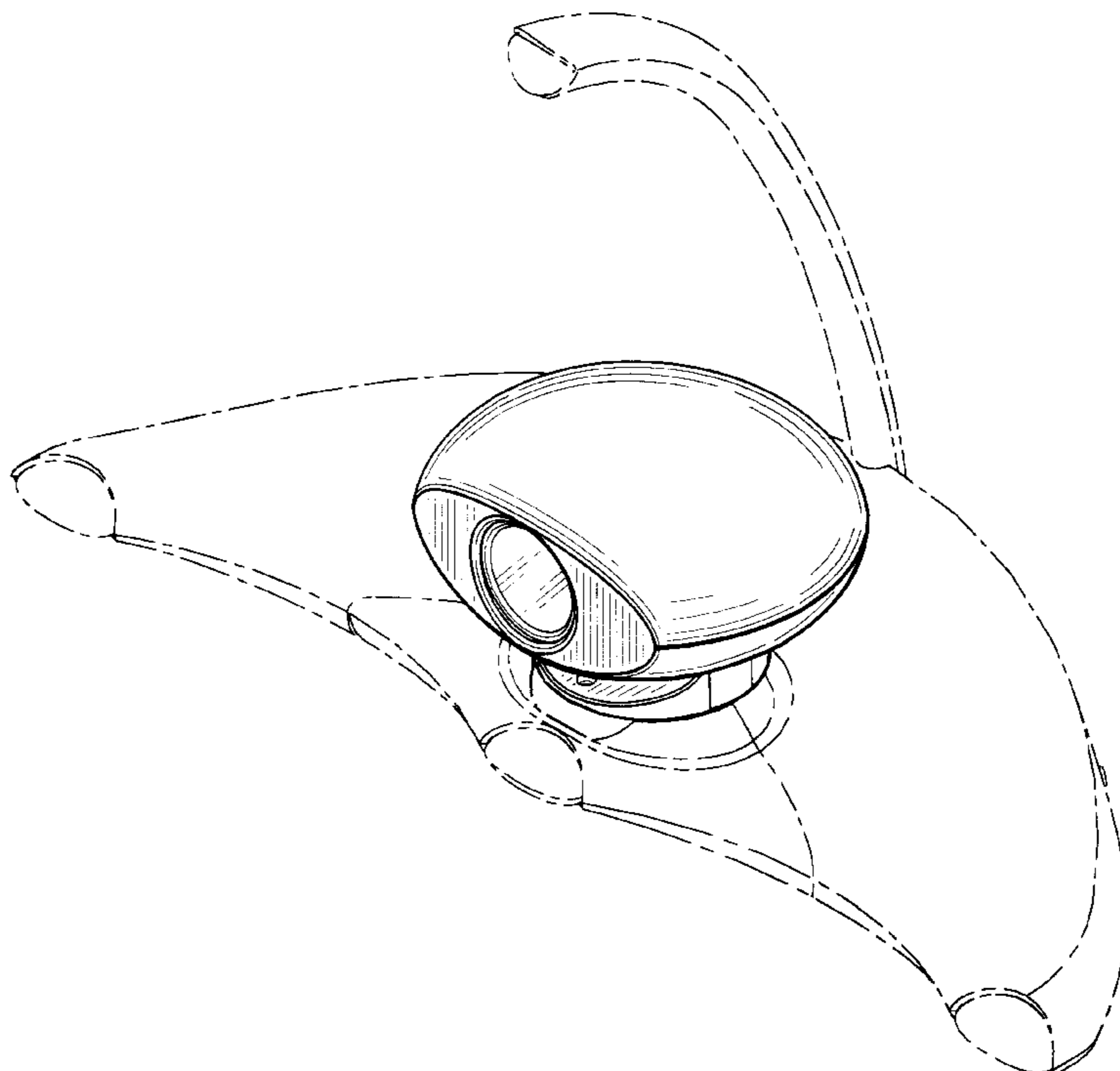
(57) **CLAIM**

The ornamental design for a video camera, as shown and described.

**DESCRIPTION**

FIG. 1 is a perspective view of a video camera showing our new design, the broken lines are shown to illustrate the environment only and form no part of the claimed design; FIG. 2 is a front view of the video camera shown in FIG. 1; FIG. 3 is a back view of the video camera shown in FIG. 1; FIG. 4 is a left side view of the video camera shown in FIG. 1; FIG. 5 is a right side view of the video camera shown in FIG. 1; FIG. 6 is a top view of the video camera shown in FIG. 1; FIG. 7 is a bottom view of the video camera shown in FIG. 1; FIG. 8 is an enlarged perspective view the video camera, the broken lines are shown to illustrate the alternate environment only and form no part of the claimed design; FIG. 9 is a front view of the video camera shown in FIG. 8; FIG. 10 is a back view of the video camera shown in FIG. 8; FIG. 11 is a left side view of the video camera shown in FIG. 8; FIG. 12 is a right side view of the video camera shown in FIG. 8; FIG. 13 is a top view of the video camera shown in FIG. 8; and, FIG. 14 is a bottom view of the video camera shown in FIG. 8.

**1 Claim, 11 Drawing Sheets**



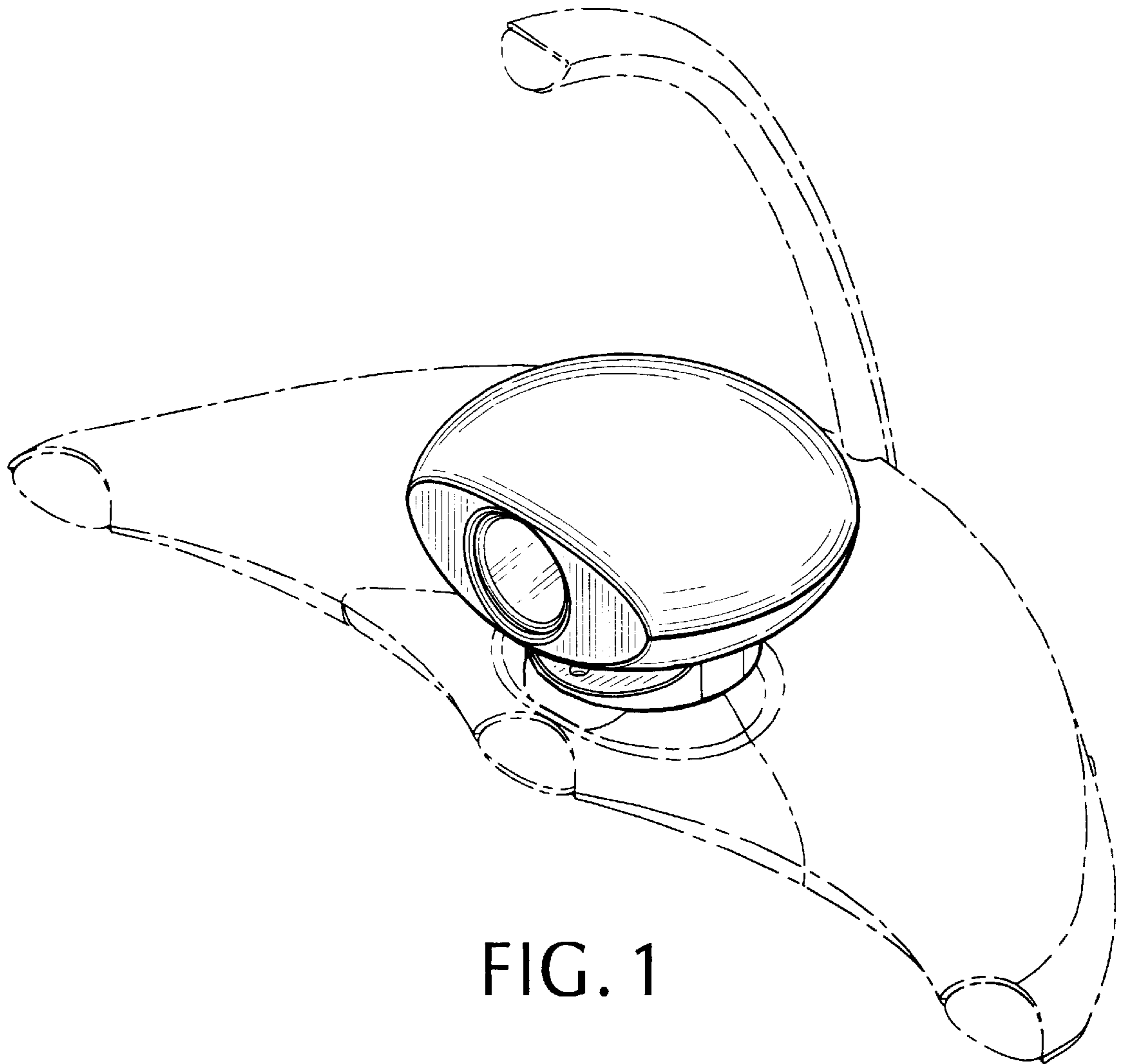


FIG. 1

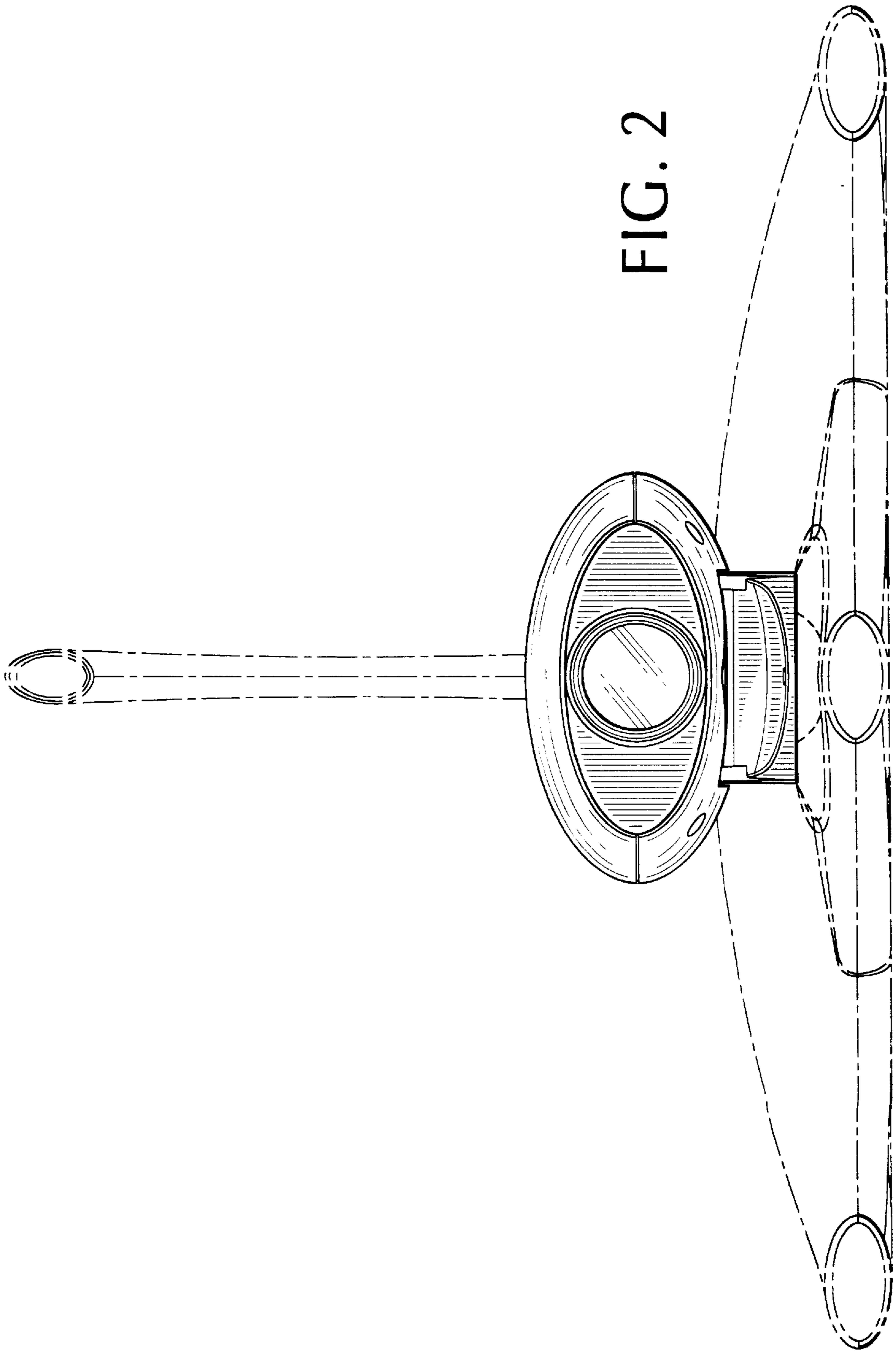
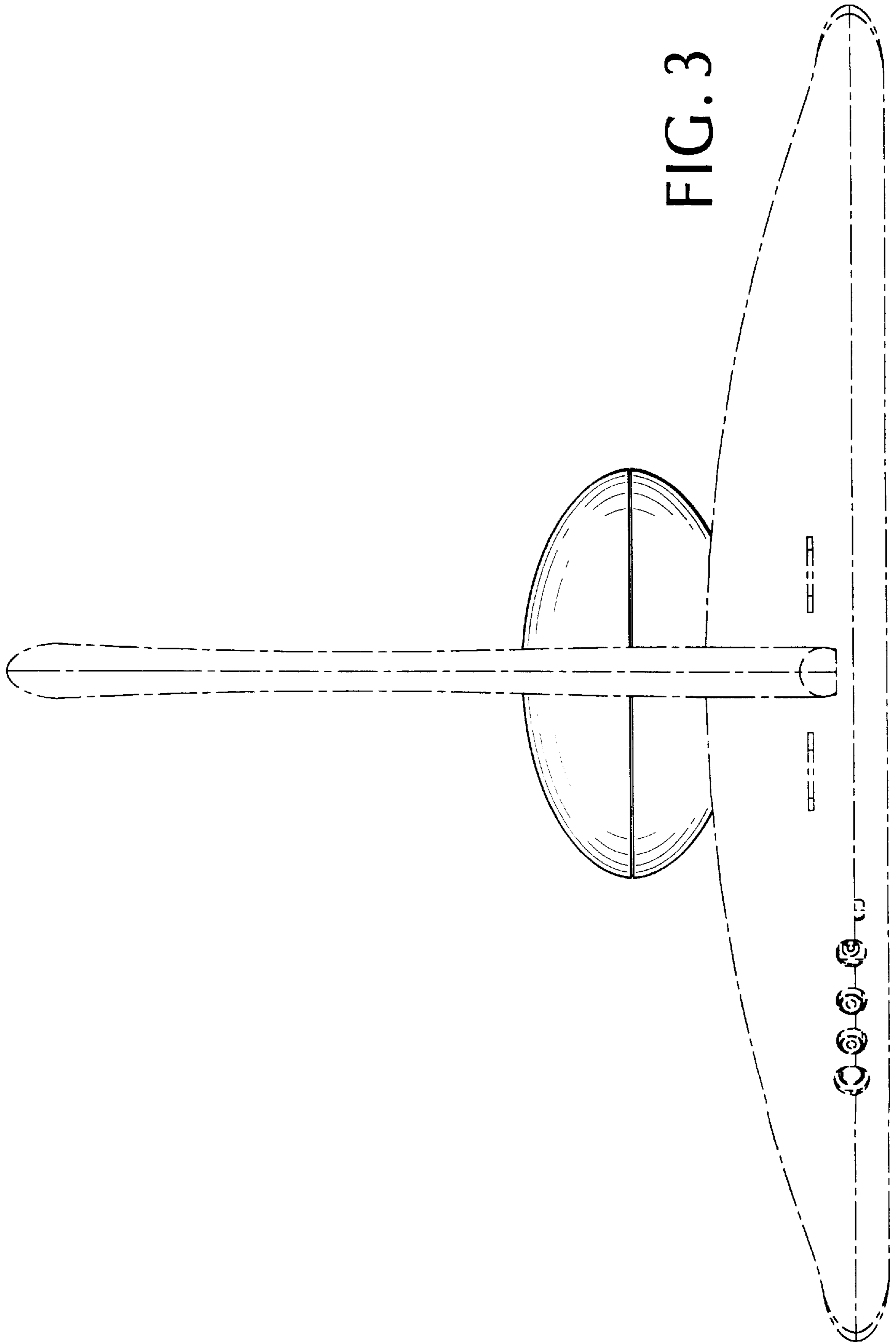


FIG. 2



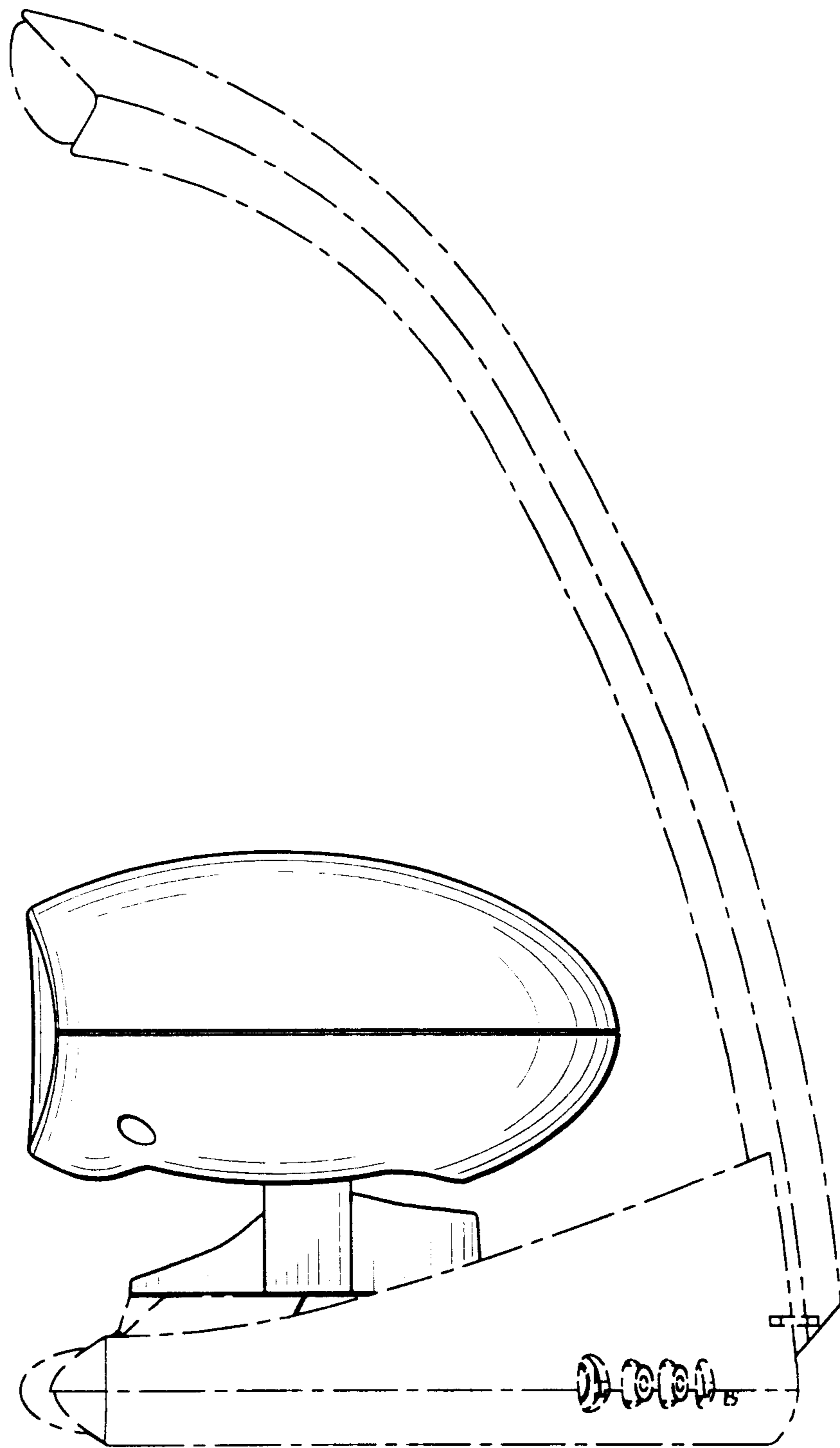


FIG. 4

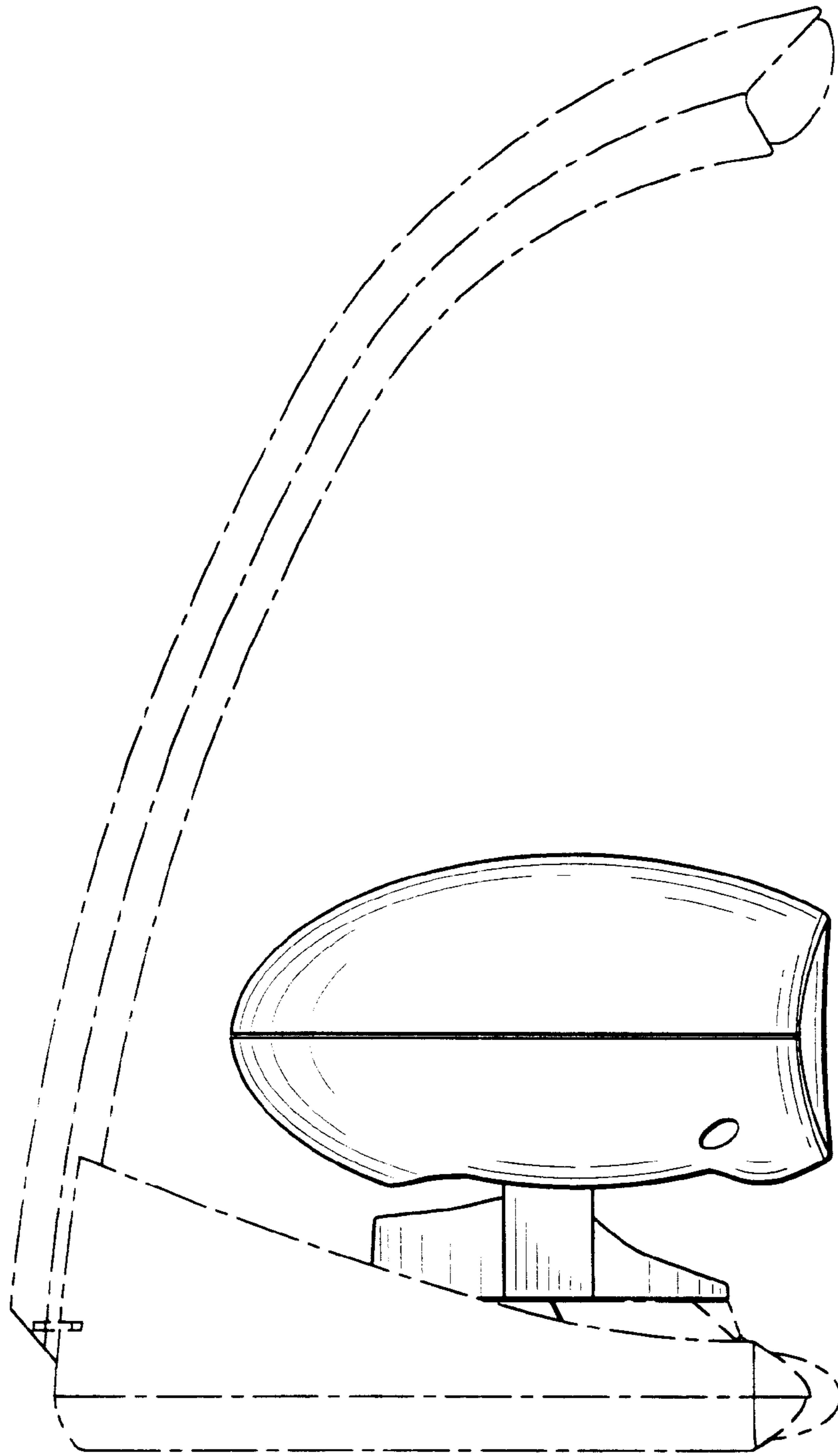


FIG. 5

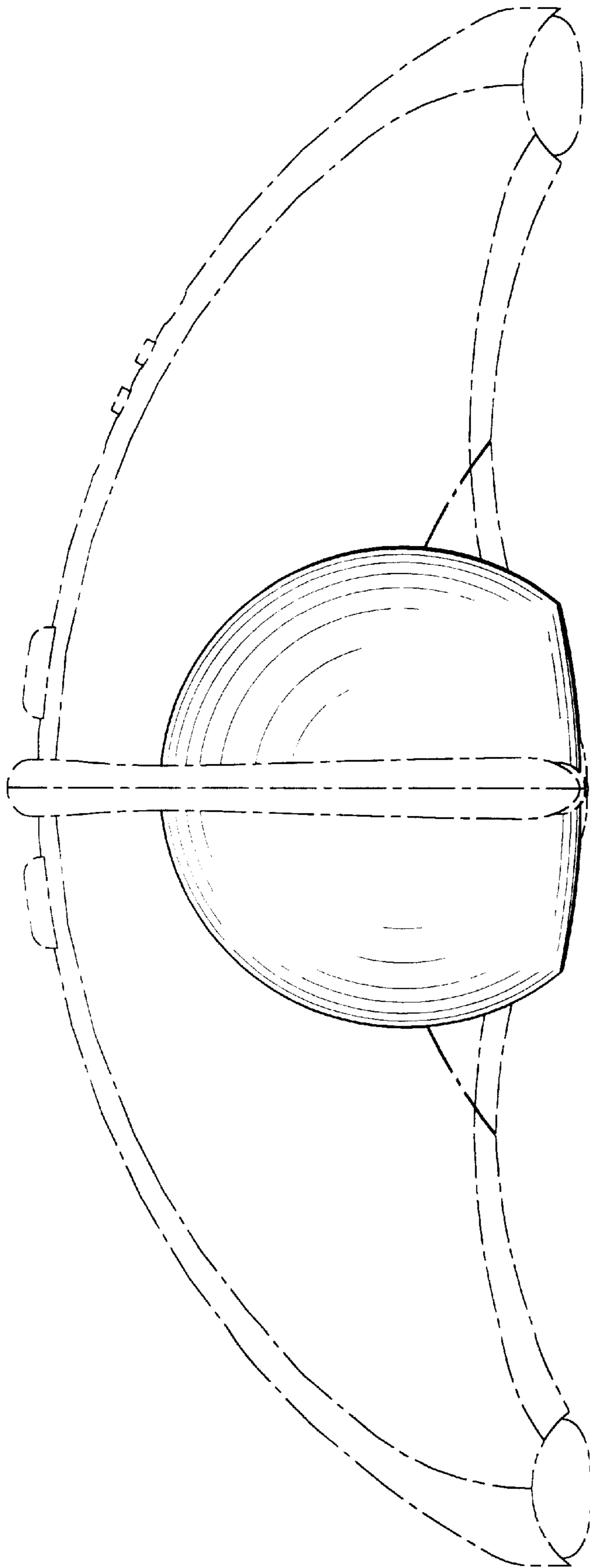


FIG. 6

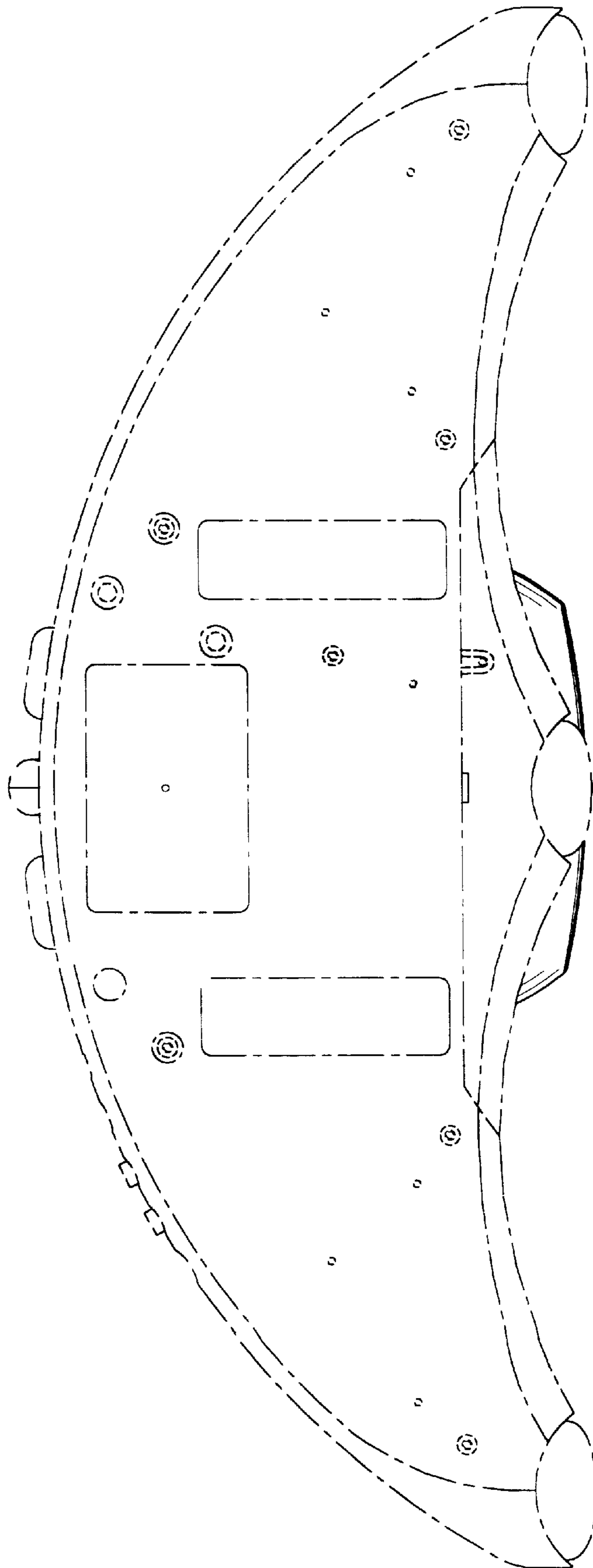


FIG. 7



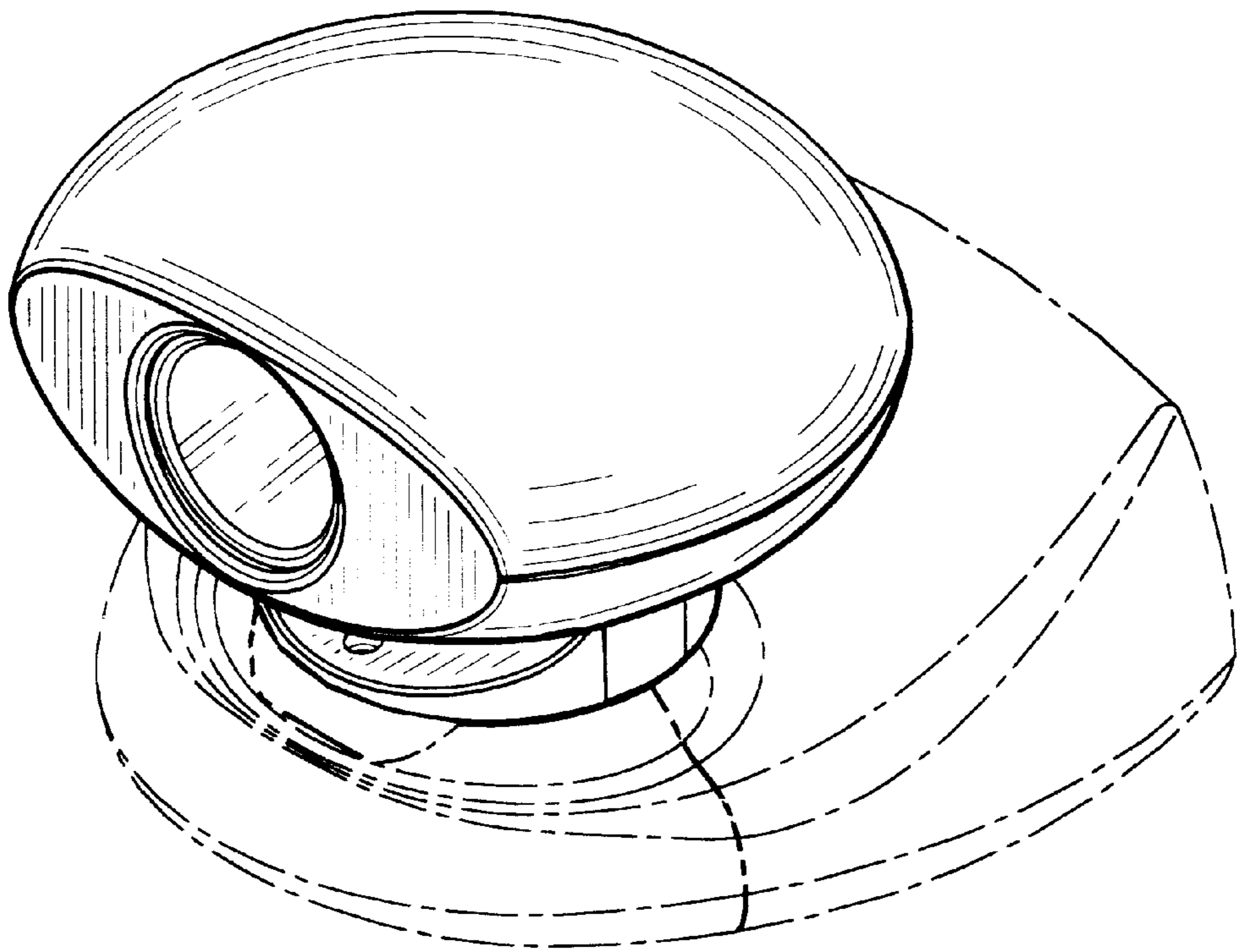


FIG. 8

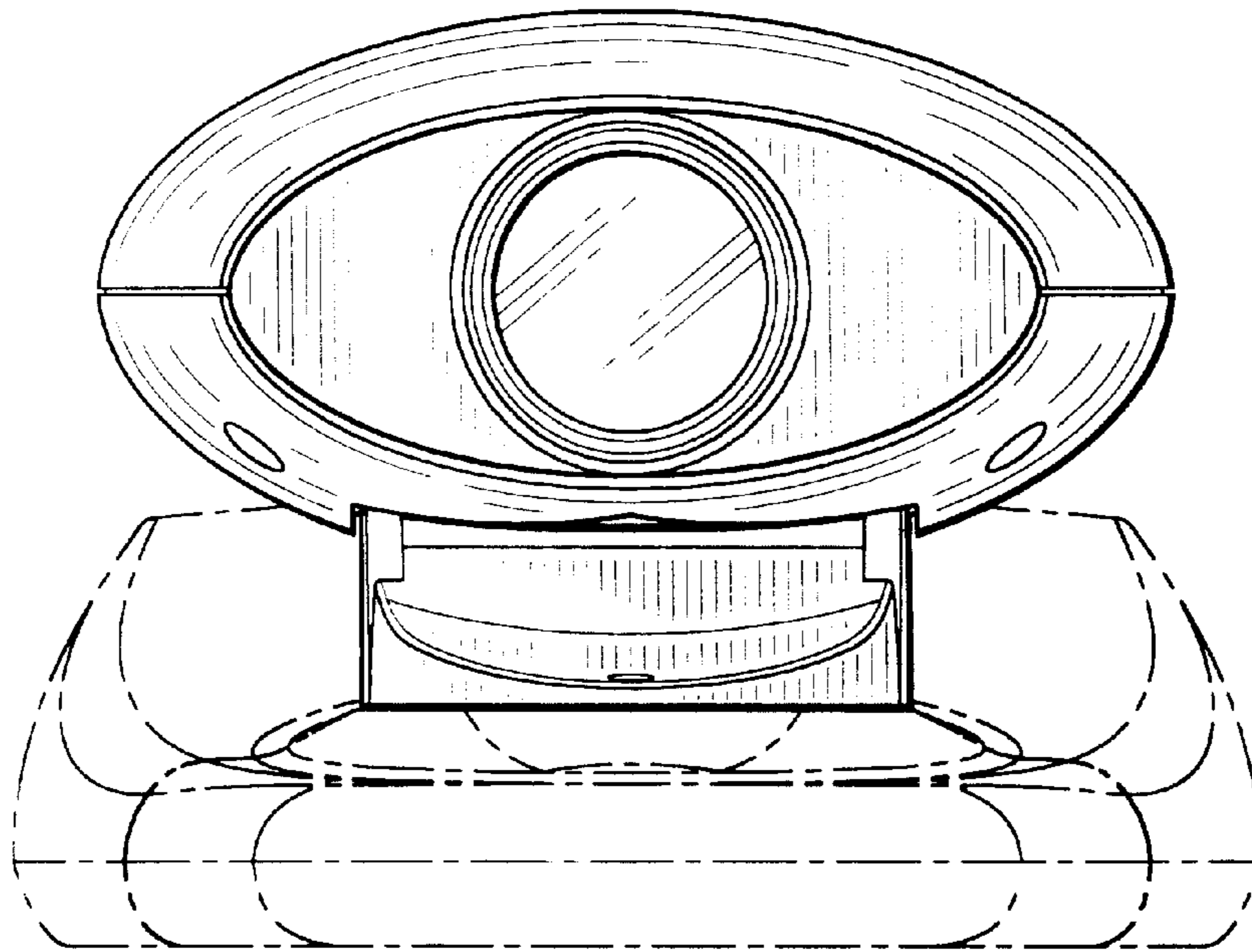


FIG. 9

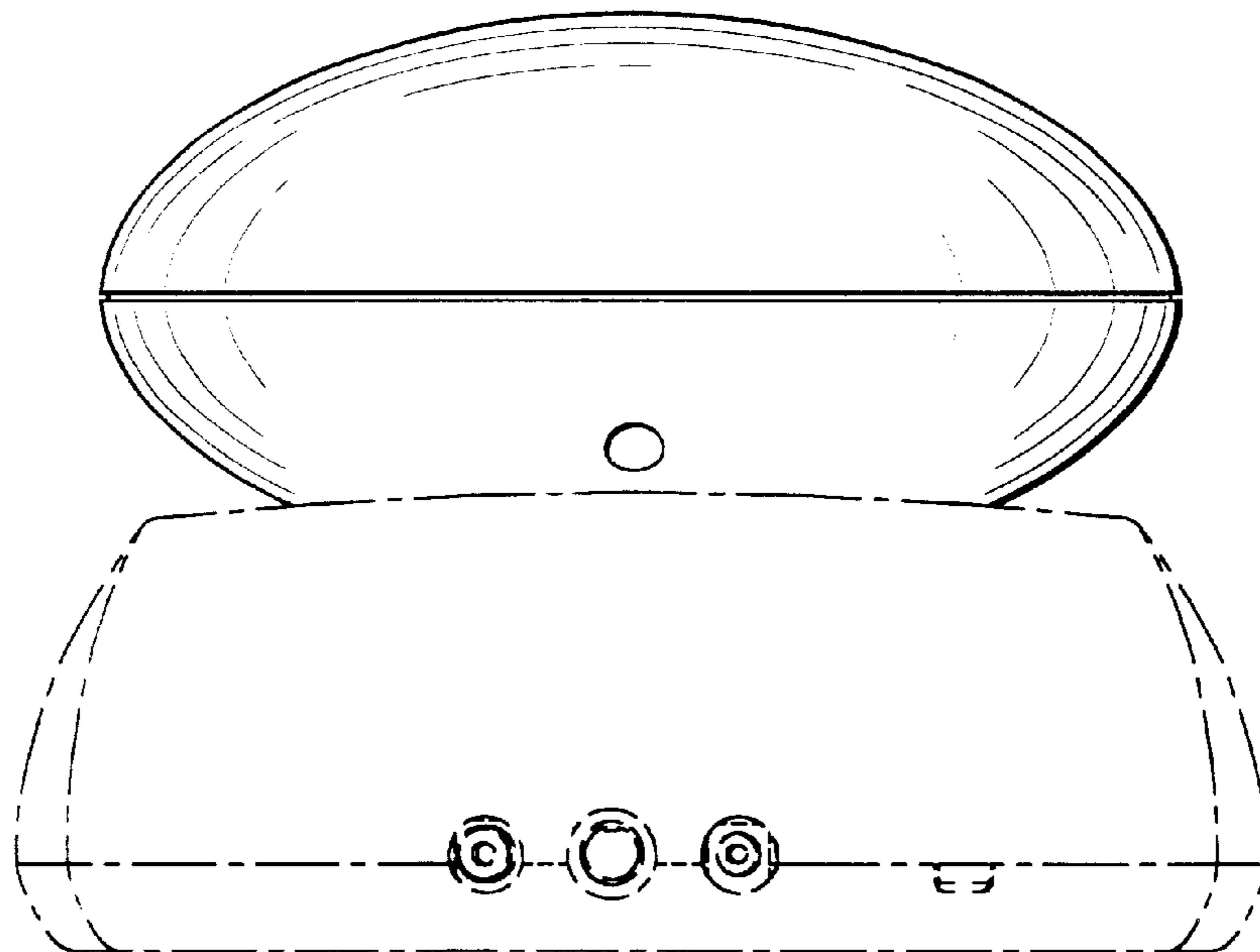


FIG. 10

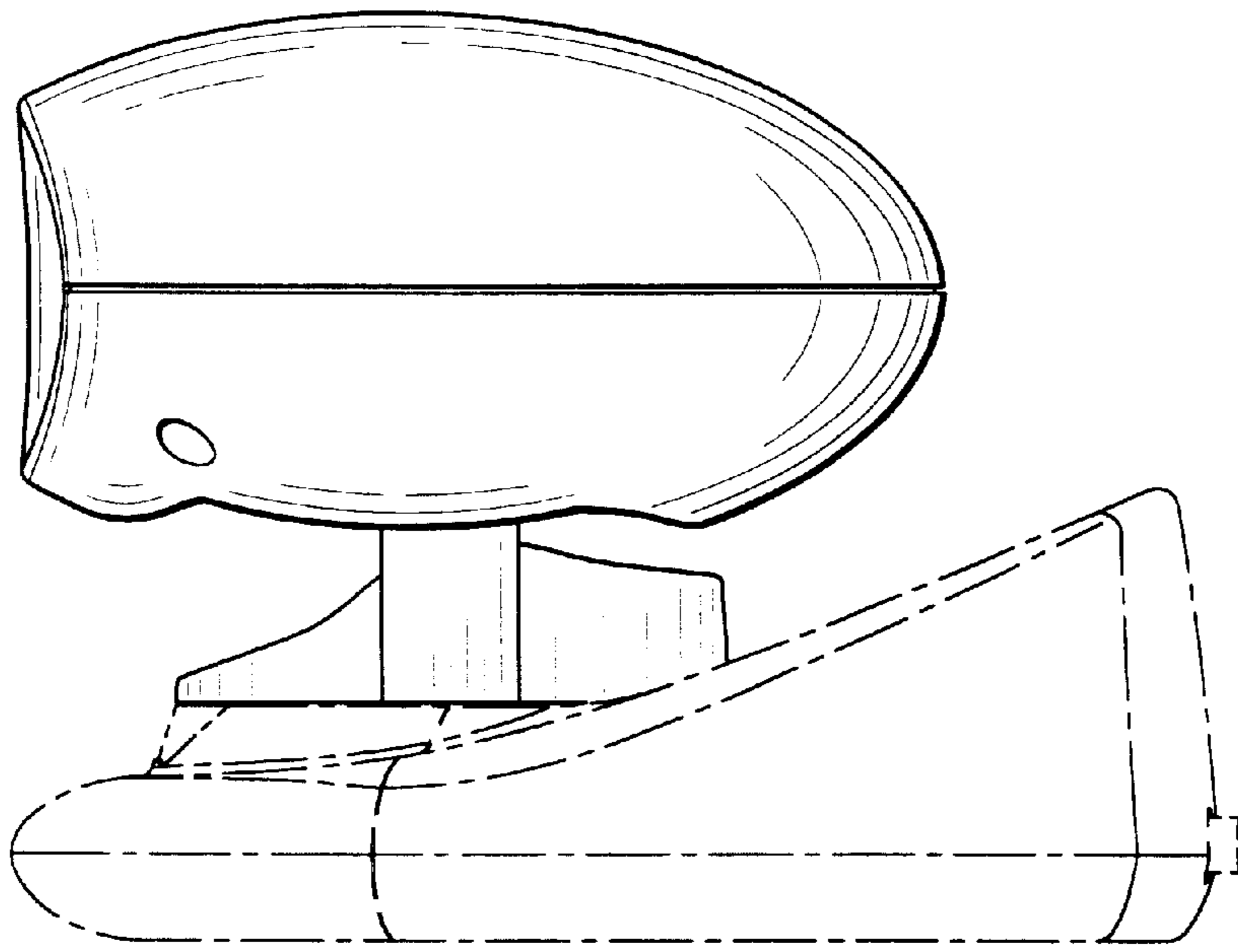


FIG. 11

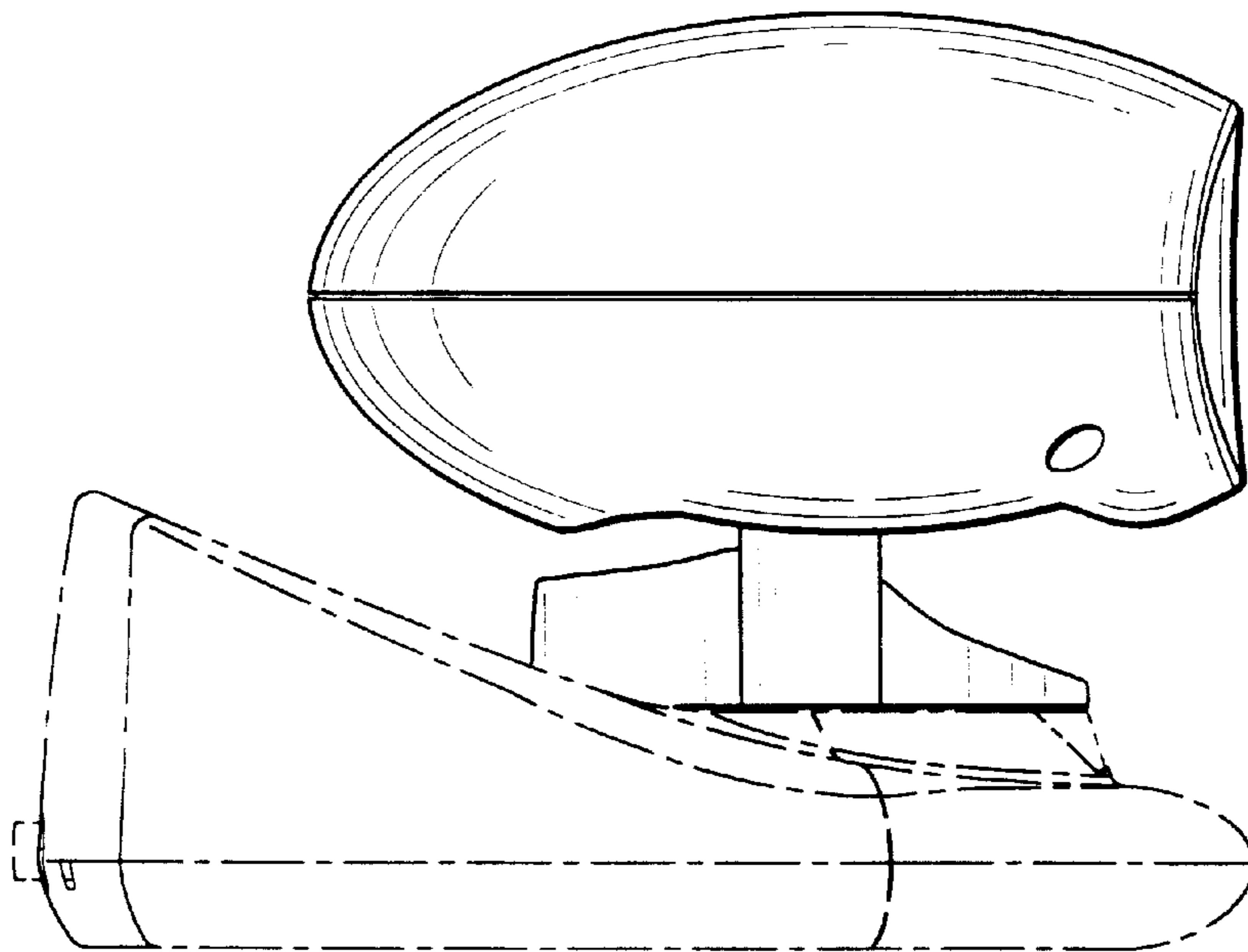


FIG. 12

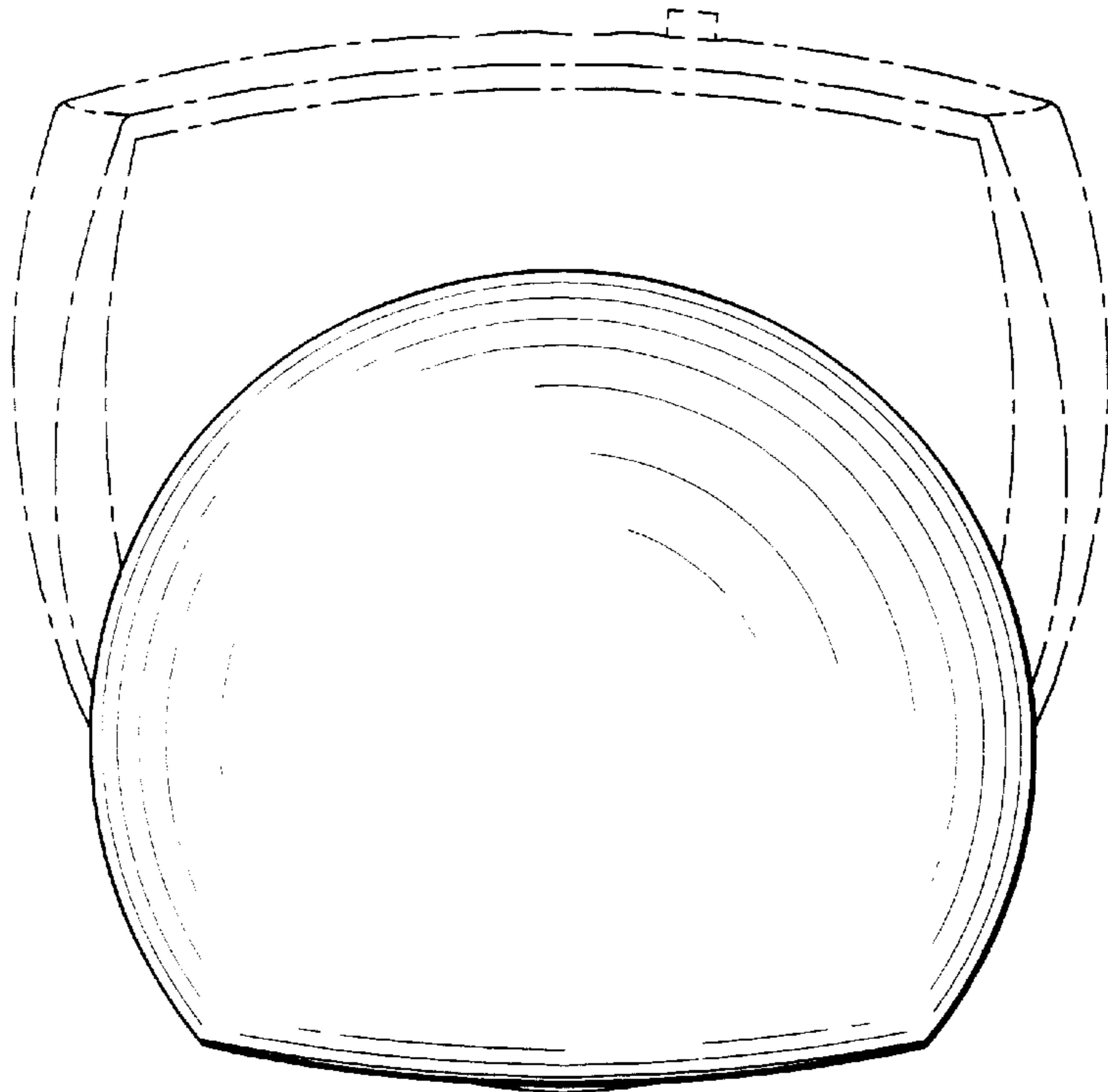


FIG. 13

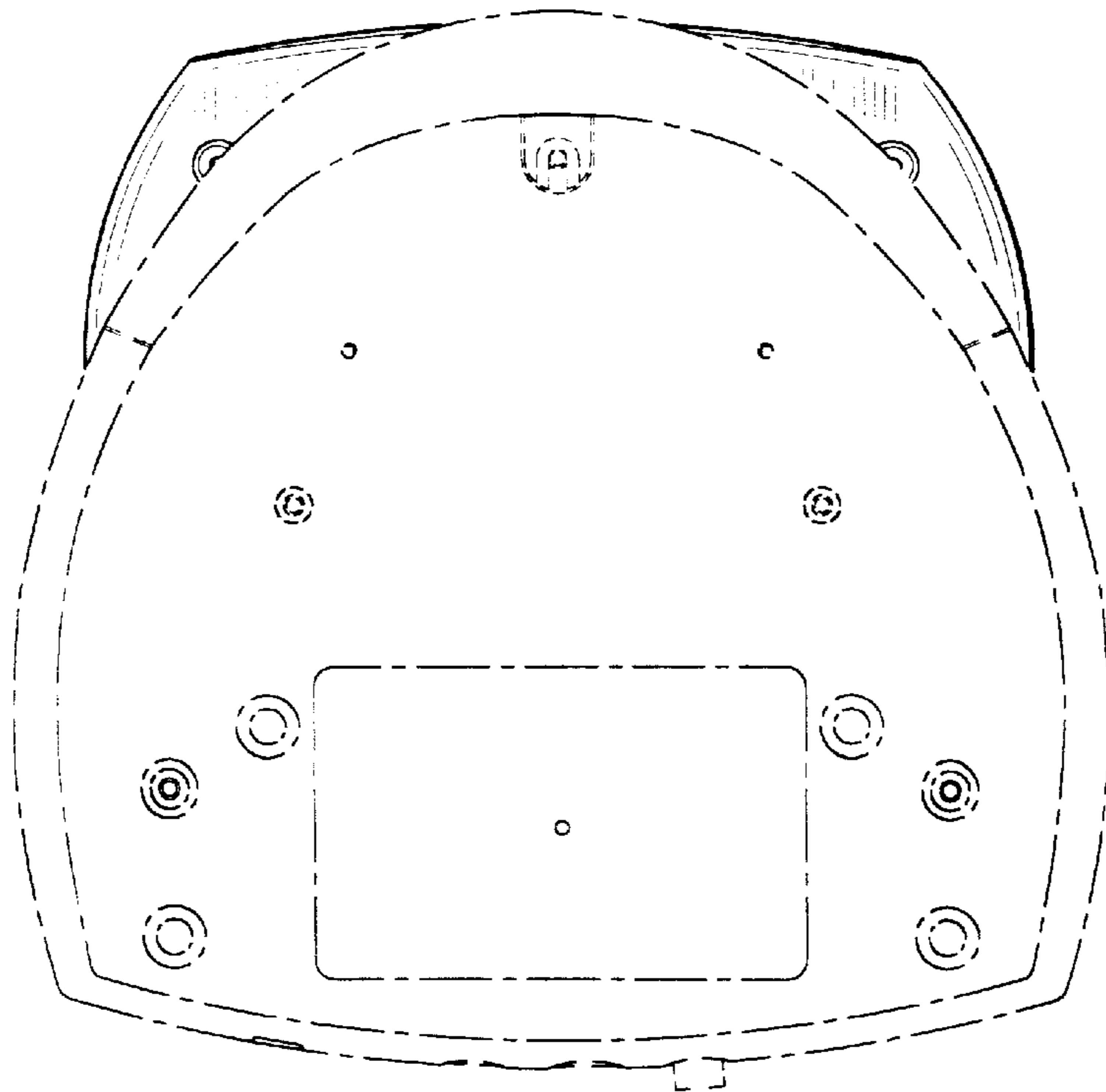


FIG. 14