



US00D446528B1

(12) **United States Design Patent**
Hinch

(10) **Patent No.:** **US D446,528 S**

(45) **Date of Patent:** **** Aug. 14, 2001**

(54) **BENCH TOP MORTISER**

www.coastaltool.com/delt/de14650.htm; Delta 14-650 Hollow Chisel Mortiser; 1997.

(75) Inventor: **Anthony G. Hinch**, West Alexander, PA (US)

* cited by examiner

(73) Assignee: **Fisch Precision Tools, Inc.**, Claysville, PA (US)

Primary Examiner—Antoine Duval Davis
(74) *Attorney, Agent, or Firm*—Webb Ziesenheim Logsdon Orkin & Hanson, P.C.

(**) Term: **14 Years**

(21) Appl. No.: **29/125,945**

(57) **CLAIM**

(22) Filed: **Jun. 30, 2000**

The ornamental design for a bench top mortiser, as shown and described.

(51) **LOC (7) Cl.** **15-09**

(52) **U.S. Cl.** **D15/132**

(58) **Field of Search** D15/132; 144/134.1, 144/135.2, 253.1, 253.2, 253.5, 253.7, 286.1, 286.5, 372; 408/30

DESCRIPTION

(56) **References Cited**

U.S. PATENT DOCUMENTS

D. 423,523	4/2000	Hollinger et al.	D15/132
4,787,127	* 11/1988	Beall	144/134.1
5,297,903	* 3/1994	Hilton	408/30
5,908,061	* 6/1999	Blichmann	144/253.2

FIG. 1 is a plan view of a bench top mortiser made in accordance with the present invention;

FIG. 2 is a bottom view thereof;

FIG. 3 is a front elevational view thereof;

FIG. 4 is a rear elevational view thereof;

FIG. 5 is a first side elevational view thereof;

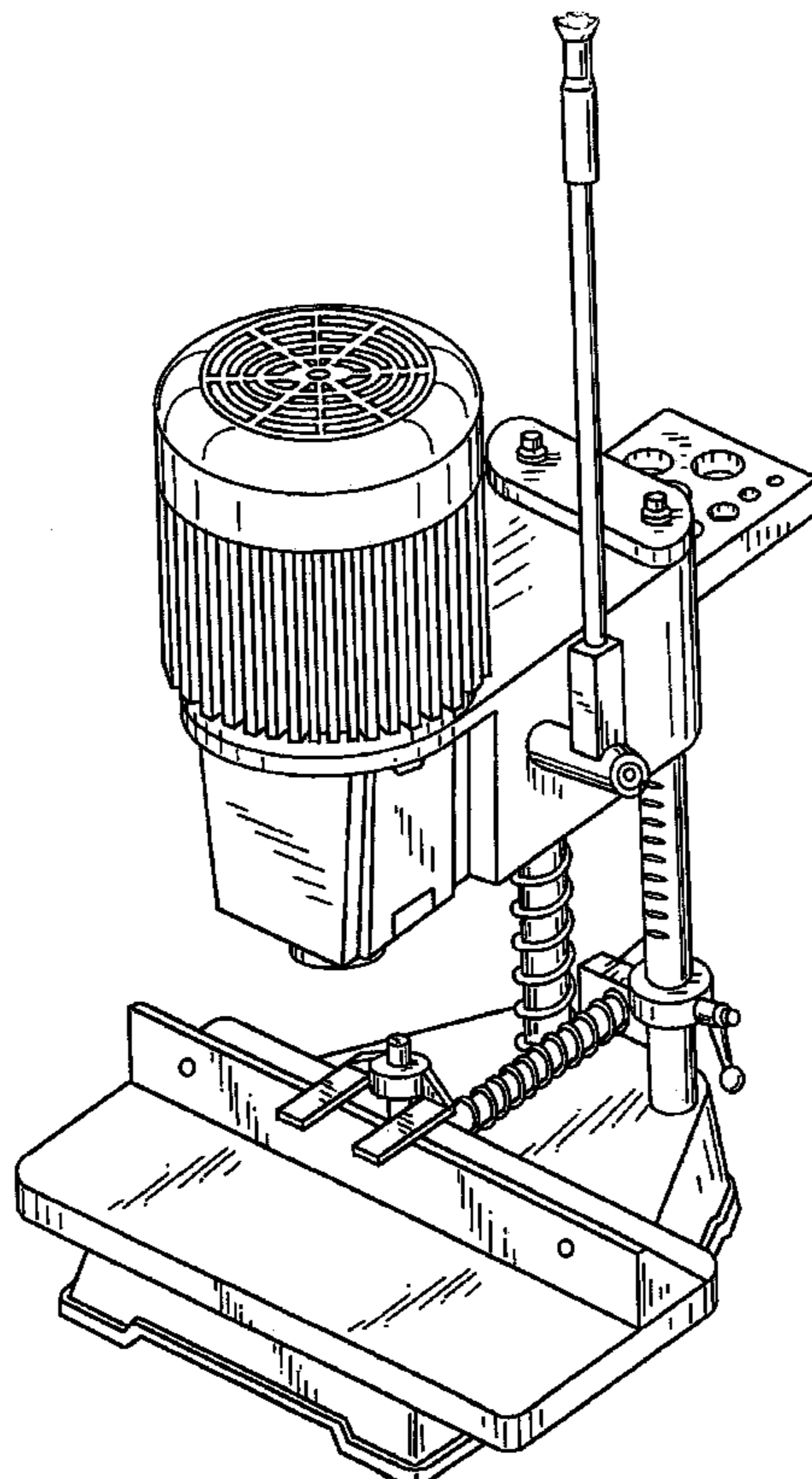
FIG. 6 is a second side elevational view thereof; and,

FIG. 7 is a front, top and right side perspective view thereof.

OTHER PUBLICATIONS

Tradesman catalog; Mortising Machine #8120; p. 5, 1995.
Tool Specialists Online; www.toolies.com.au/ToolShop/catalogue/woodwork/0000K16C.htm?E+toolstore;
Workcraft Mortising Machine (date unknown).

1 Claim, 7 Drawing Sheets



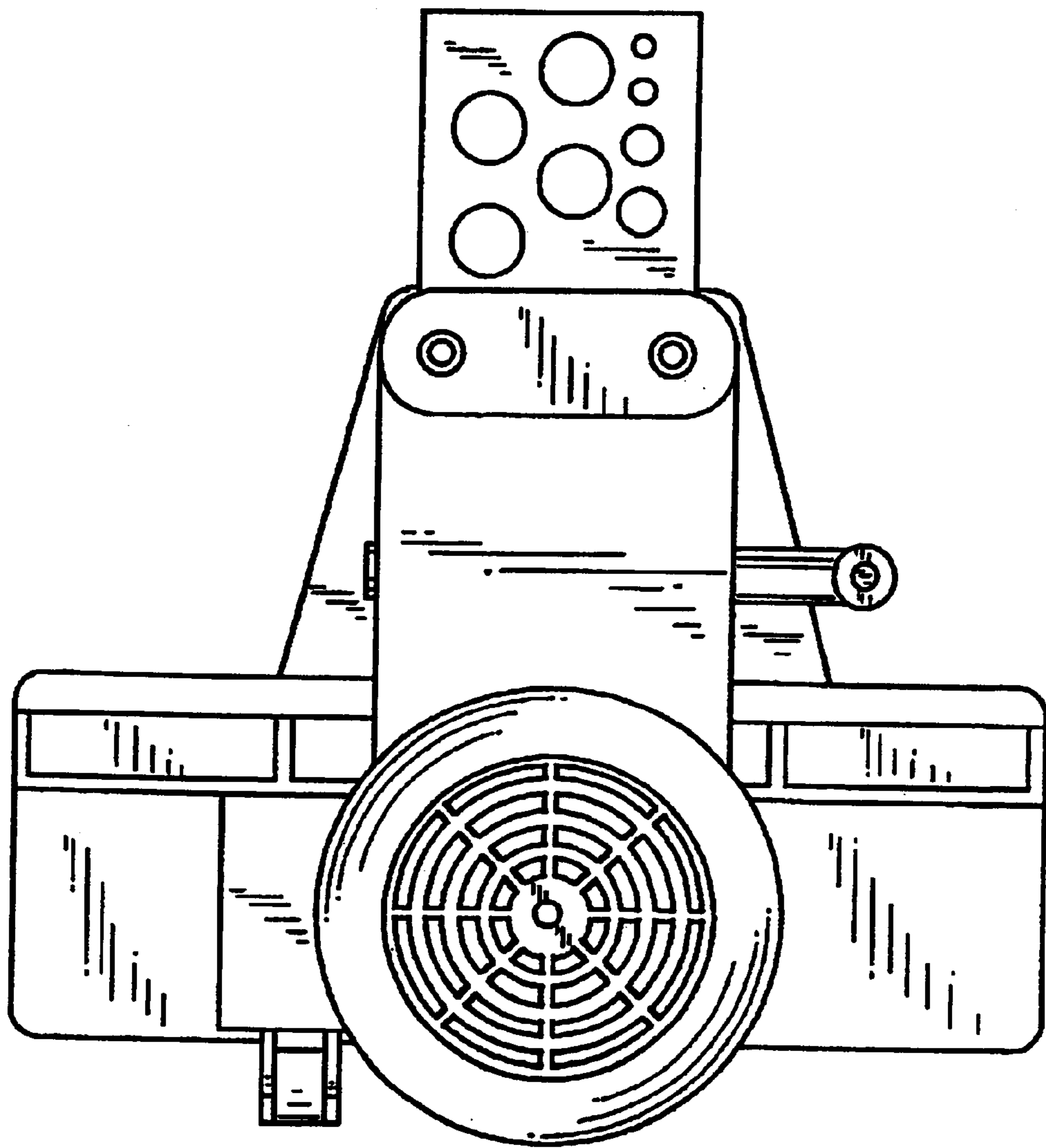


FIG. 1

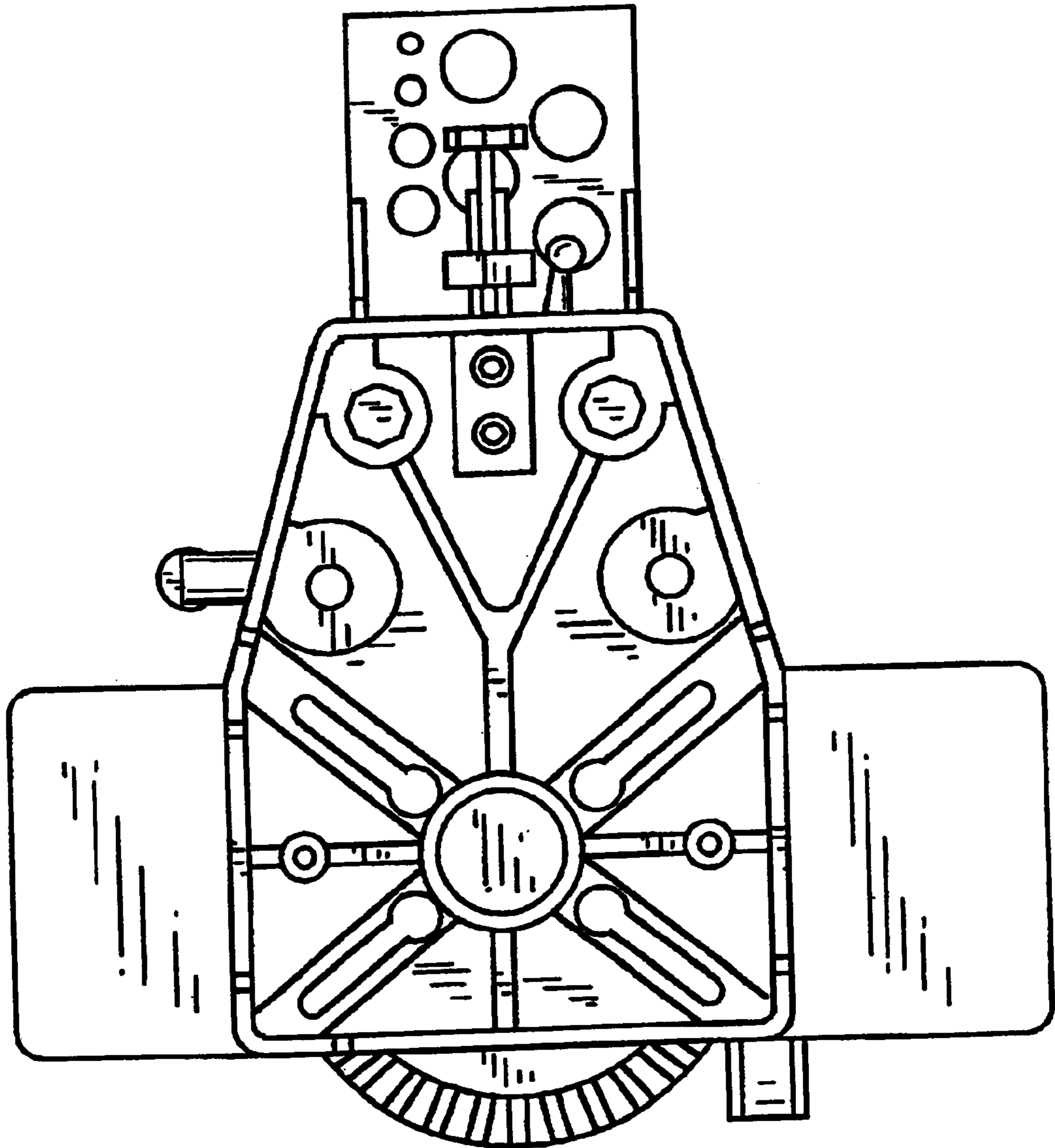


FIG. 2

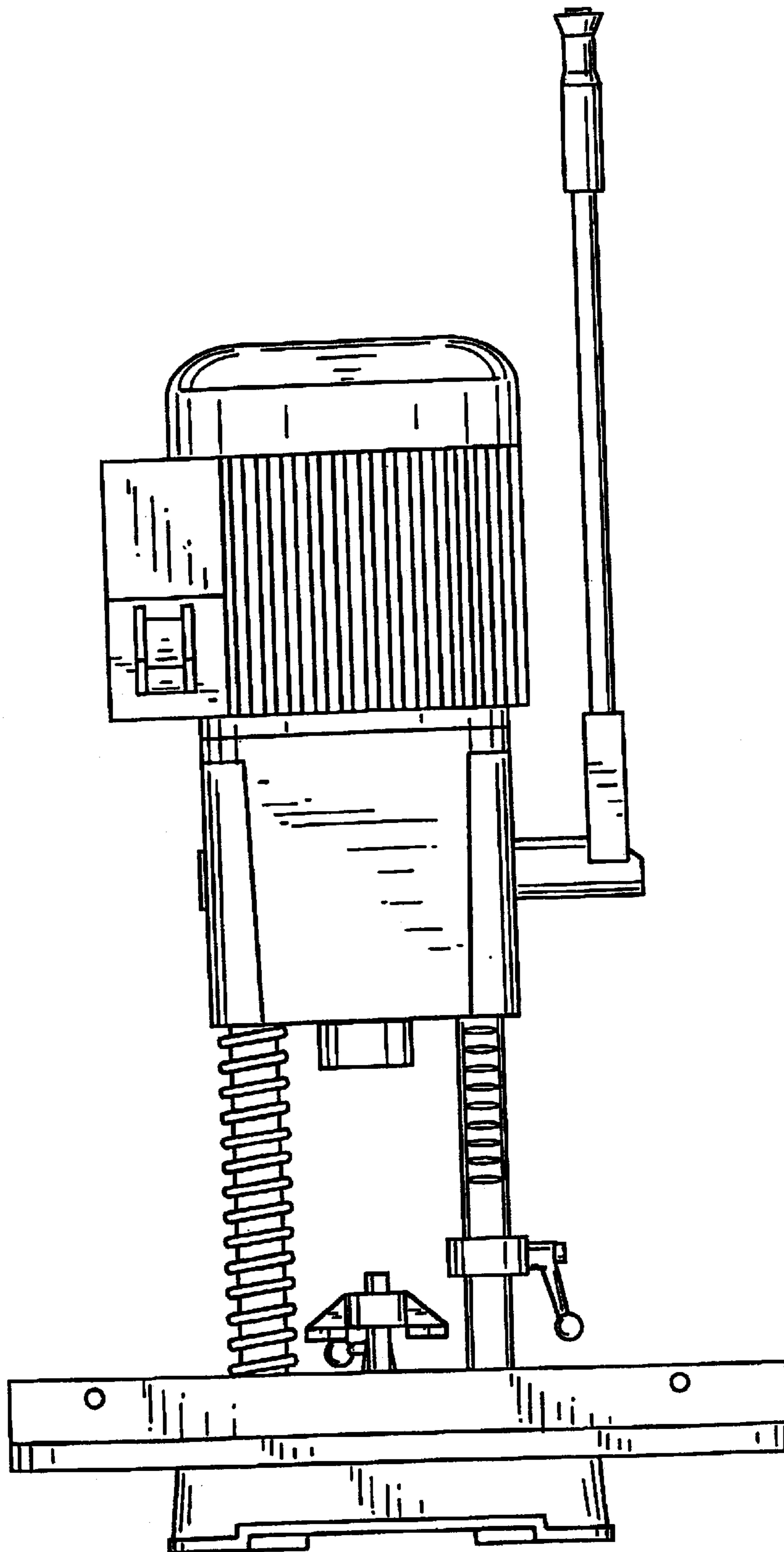


FIG. 3

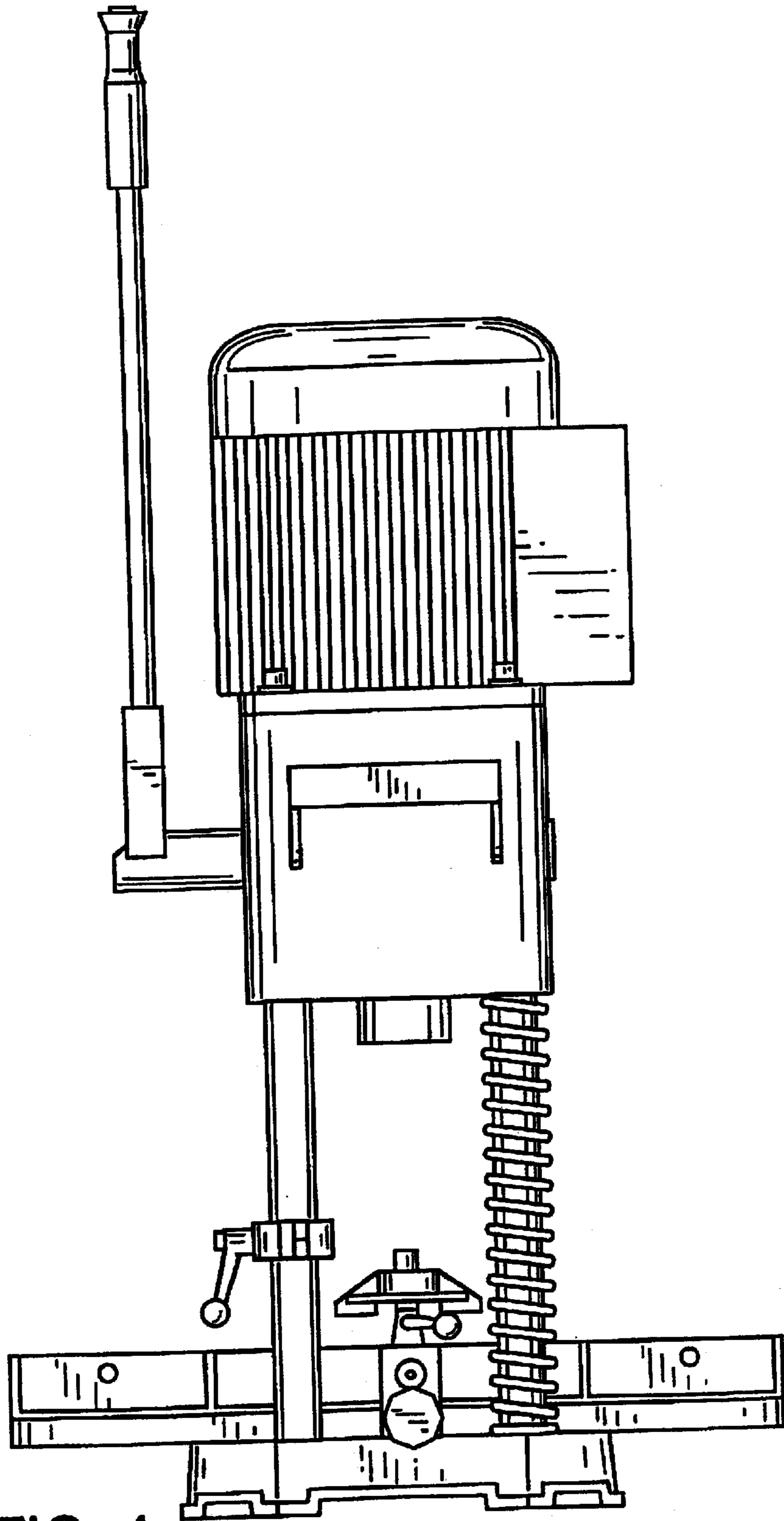


FIG. 4

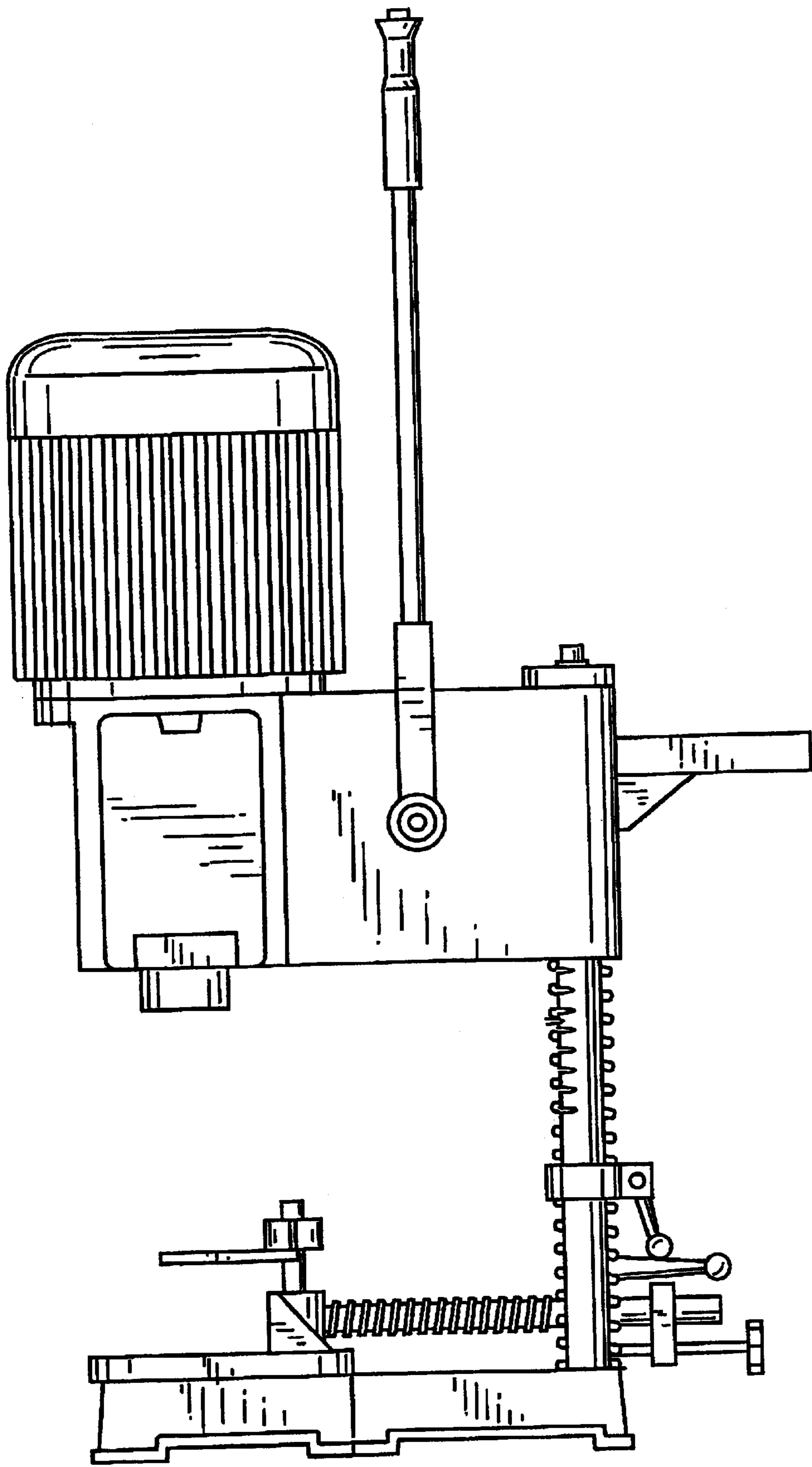


FIG. 5

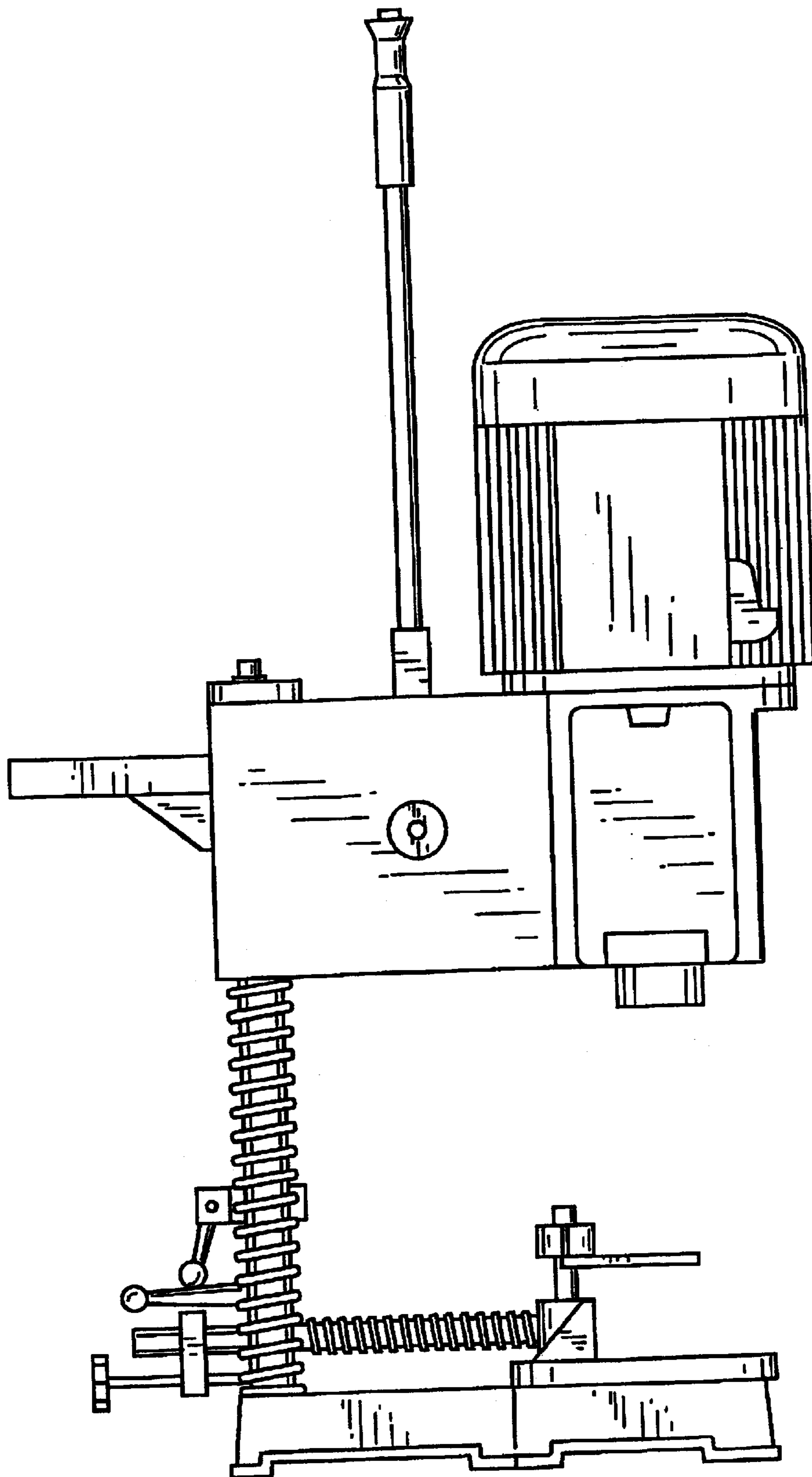


FIG. 6

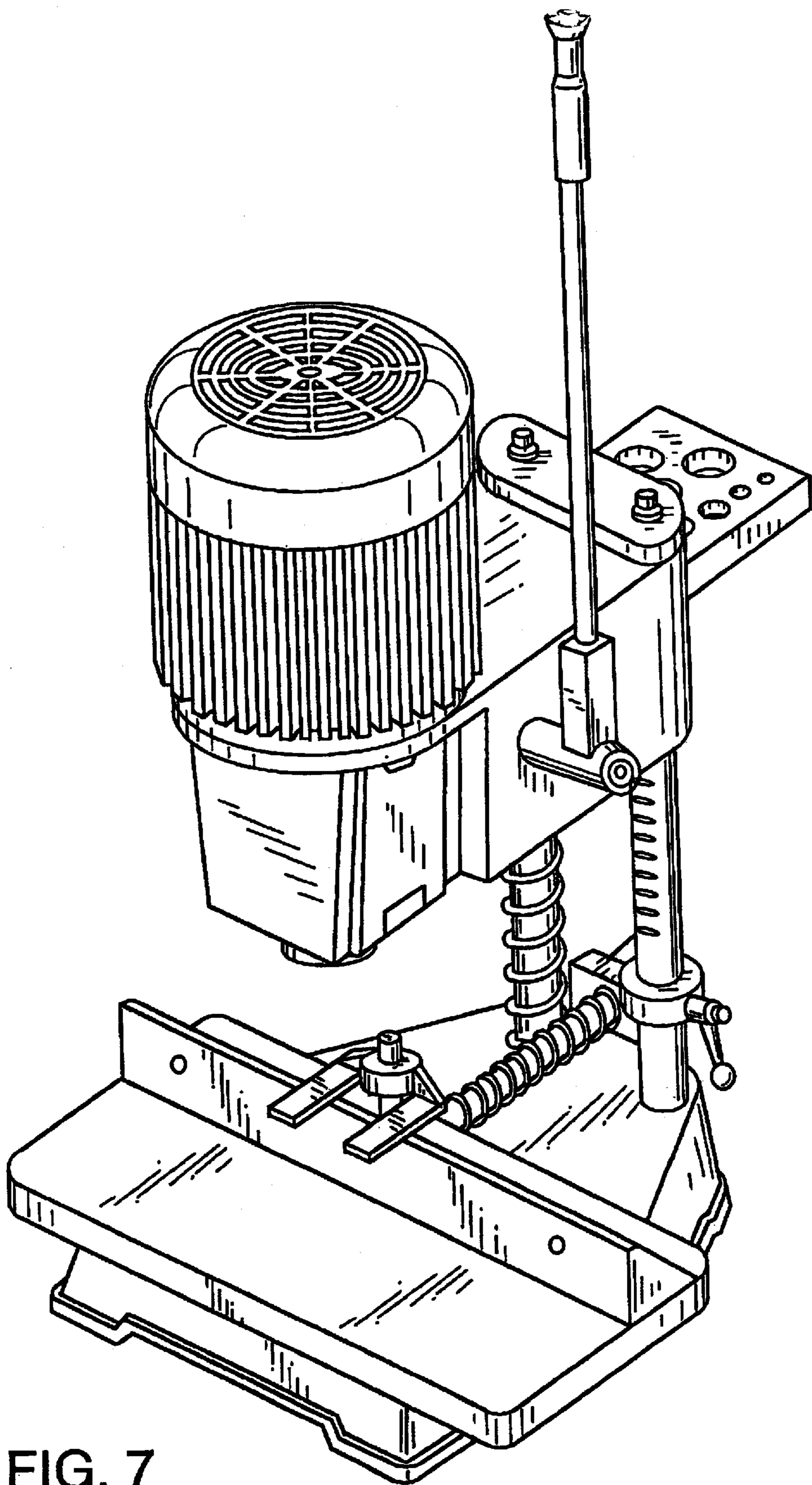


FIG. 7