



US00D446527B1

(12) **United States Design Patent**  
**Hinch et al.**

(10) **Patent No.:** **US D446,527 S**

(45) **Date of Patent:** **\*\* Aug. 14, 2001**

(54) **LATHE**

5,186,088 2/1993 Wixey ..... 82/142

(75) Inventors: **Anthony G. Hinch**, West Alexander;  
**John P. Jodkin**, New Kensington, both  
of PA (US)

**OTHER PUBLICATIONS**

Pultra World Wide Web page <http://www.lathes.co.uk/pultra>.

(73) Assignee: **Fisch Precision Tools, Inc.**, Claysville,  
PA (US)

\* cited by examiner

(\*\*) Term: **14 Years**

*Primary Examiner*—Antoine Duval Davis  
(74) *Attorney, Agent, or Firm*—Webb Ziesenheim Logsdon  
Orkin & Hanson, P.C.

(21) Appl. No.: **29/128,470**

(57) **CLAIM**

(22) Filed: **Aug. 24, 2000**

The ornamental design for a lathe, as shown and described.

(51) **LOC (7) Cl.** ..... **15-89**

**DESCRIPTION**

(52) **U.S. Cl.** ..... **D15/130**

(58) **Field of Search** ..... D15/130; 82/112-121,  
82/128, 132, 142, 148, 143, 162, 903; 144/16,  
114; 142/7

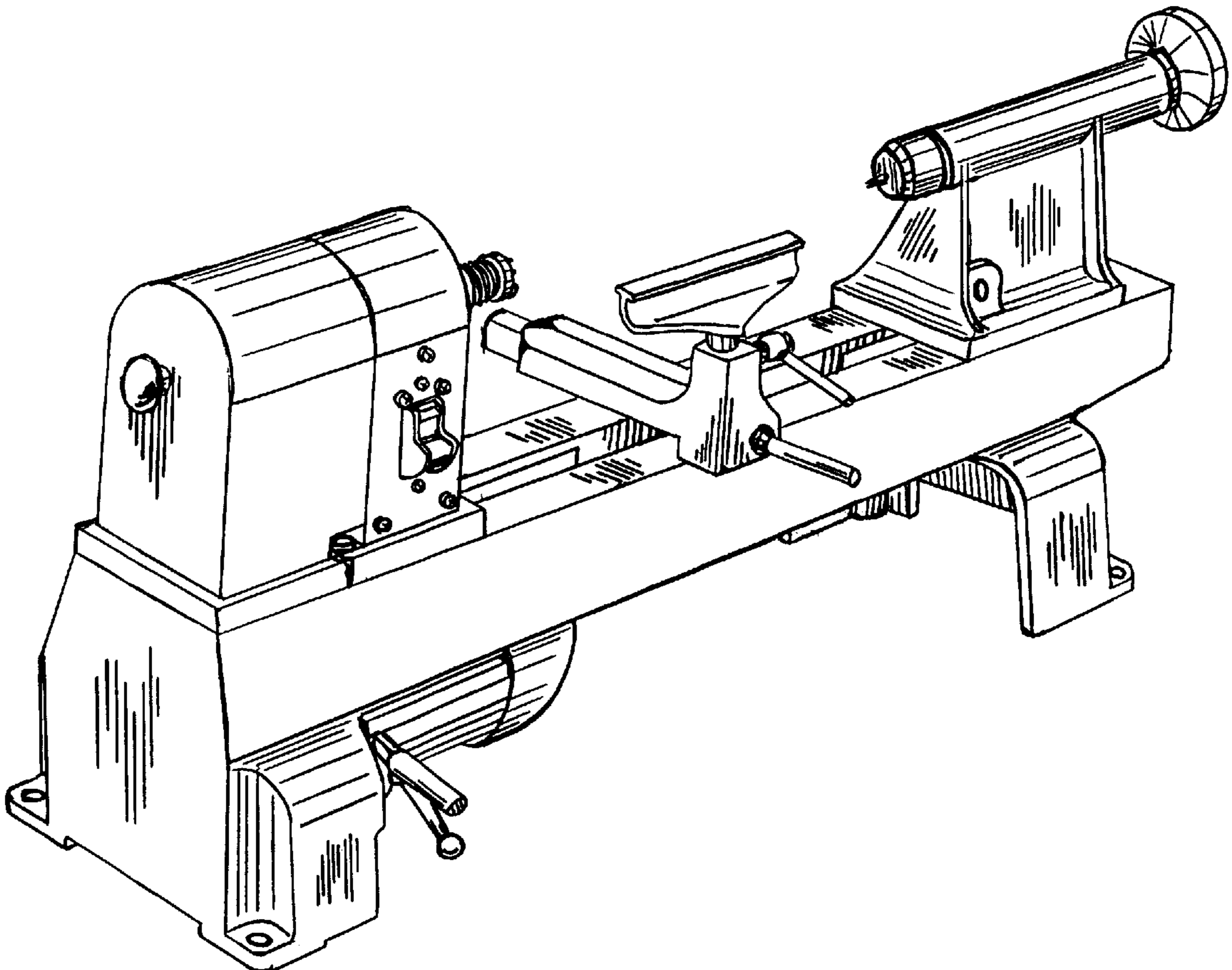
FIG. 1 is a perspective view of a lathe showing the new design;  
FIG. 2 is a front elevation view thereof;  
FIG. 3 is a rear elevation view thereof;  
FIG. 4 is a left side elevation view thereof;  
FIG. 5 is a right side elevation view thereof;  
FIG. 6 is a top plan view thereof; and,  
FIG. 7 is a bottom plan view thereof.

(56) **References Cited**

**U.S. PATENT DOCUMENTS**

- D. 338,475 \* 8/1993 Wilson et al. .... D15/130
- D. 415,506 10/1999 Cheng ..... D15/130
- D. 430,581 \* 9/2000 Campbell et al. .... D15/130

**1 Claim, 5 Drawing Sheets**



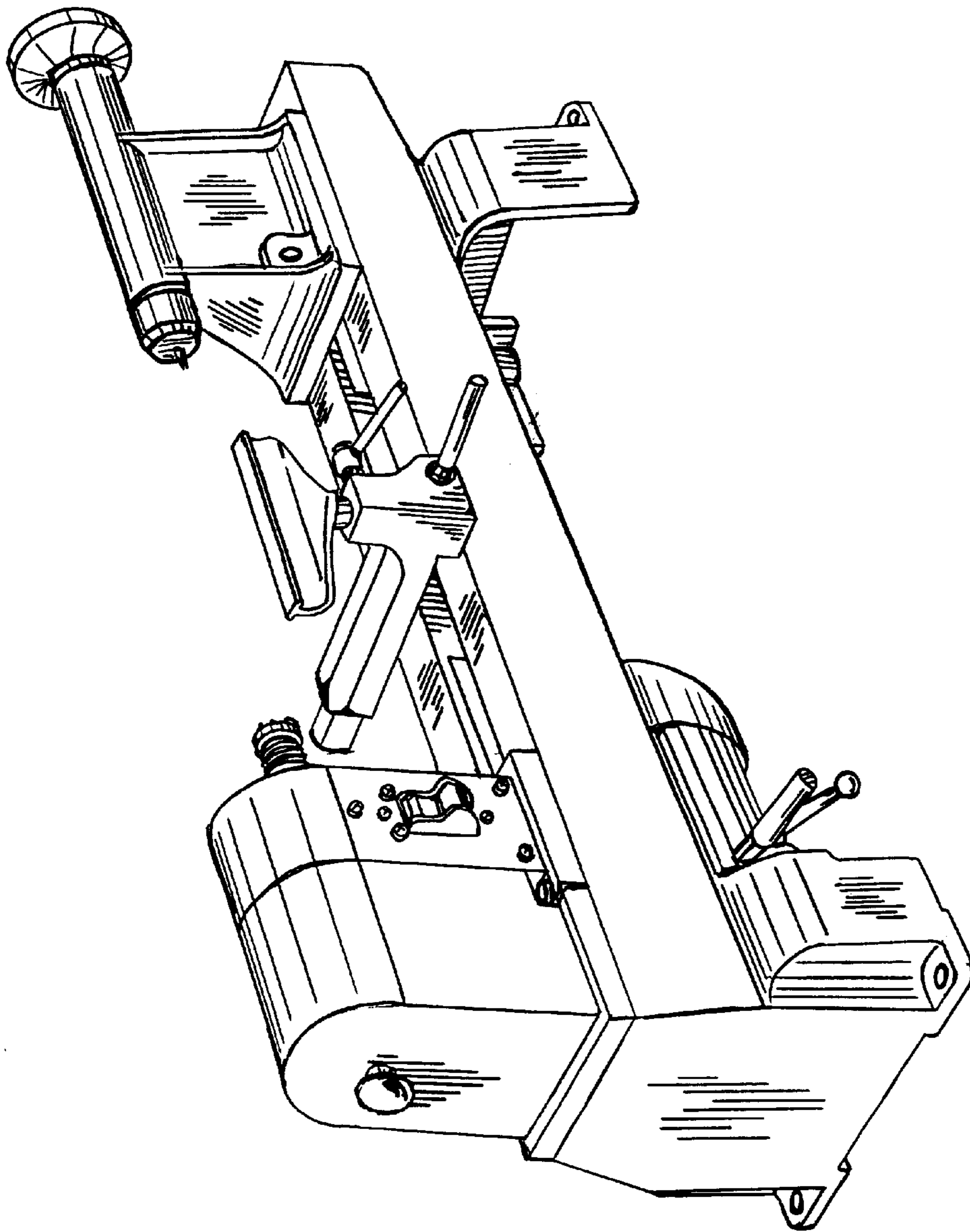


FIG. 1

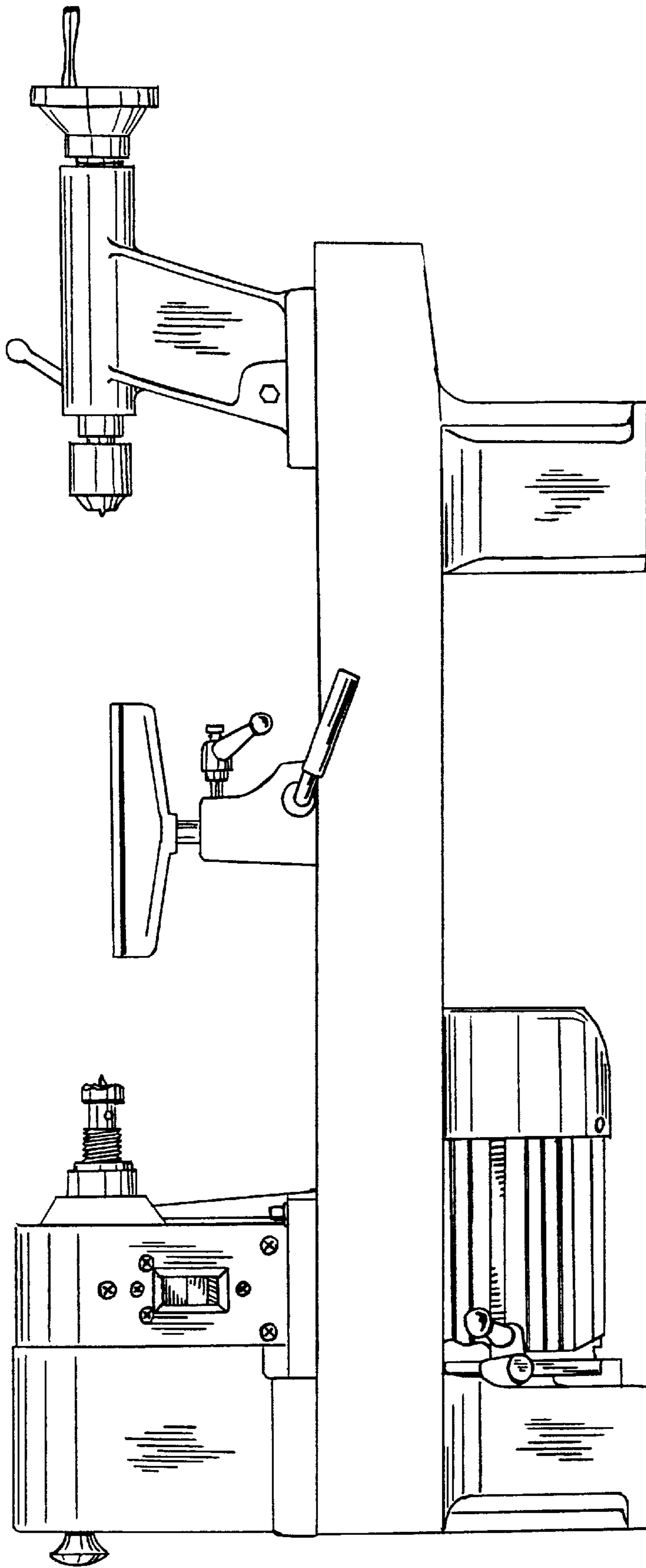


FIG. 2

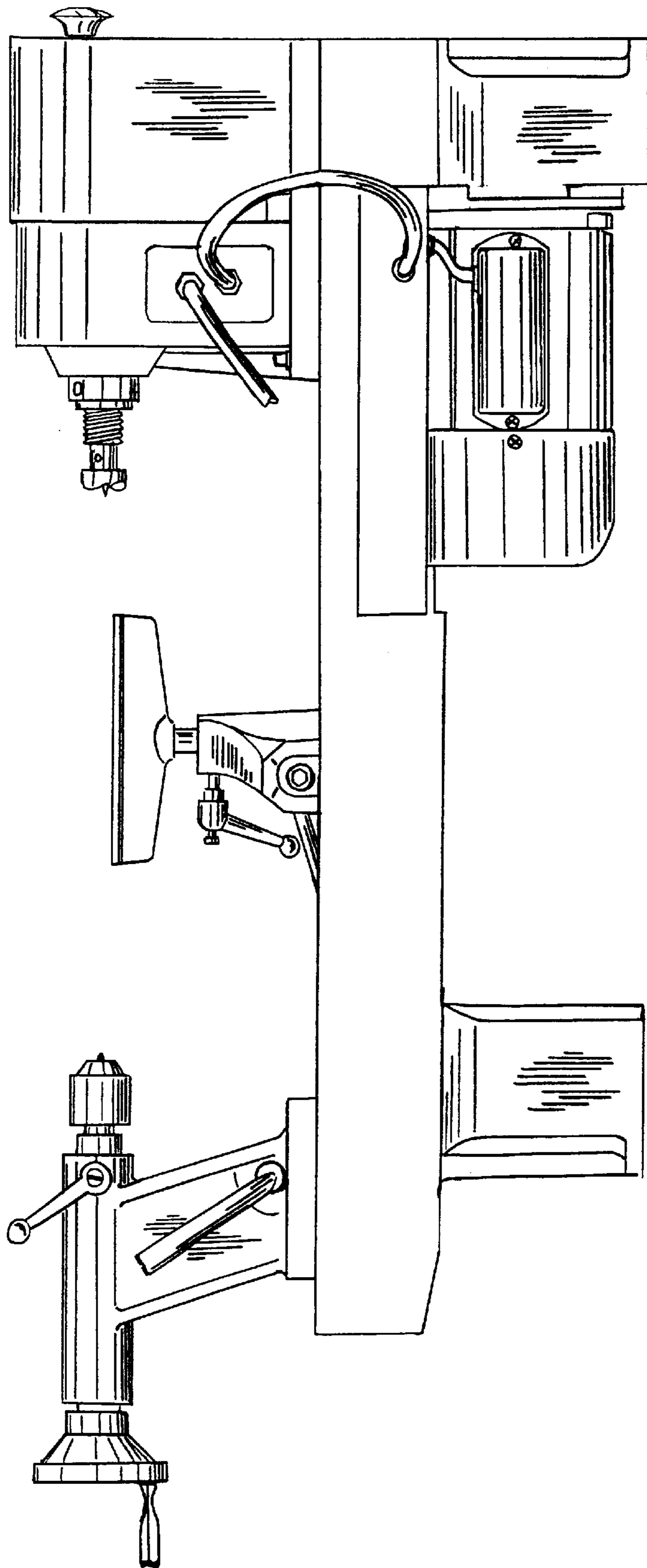


FIG. 3

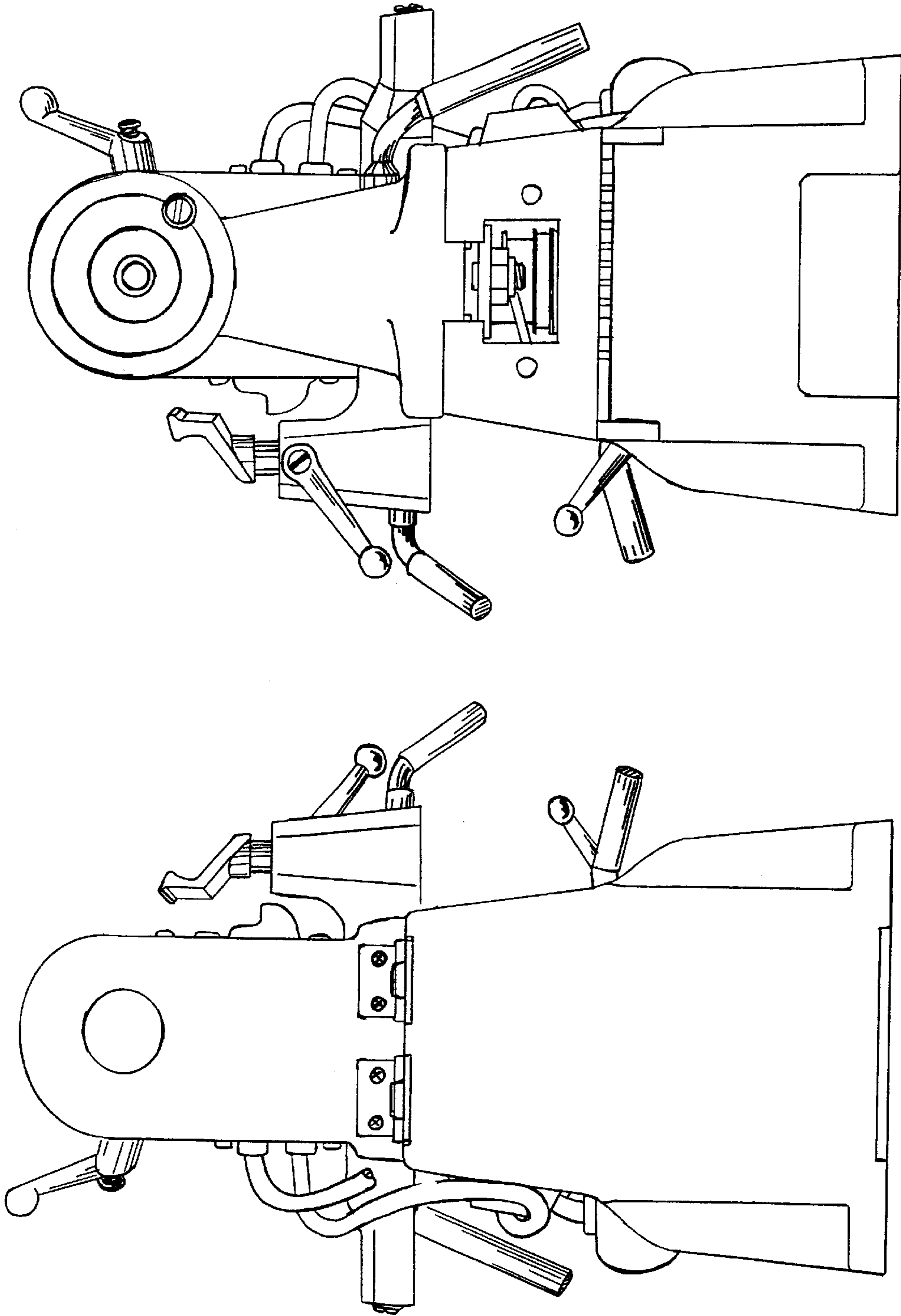


FIG. 4

FIG. 5



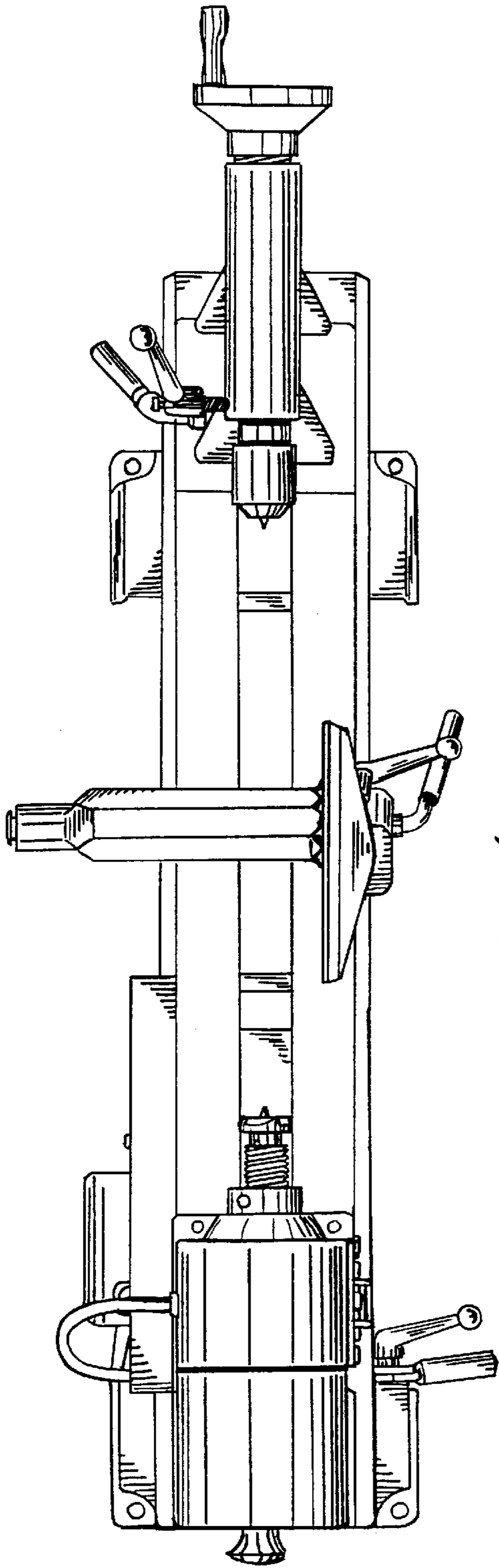


FIG. 6

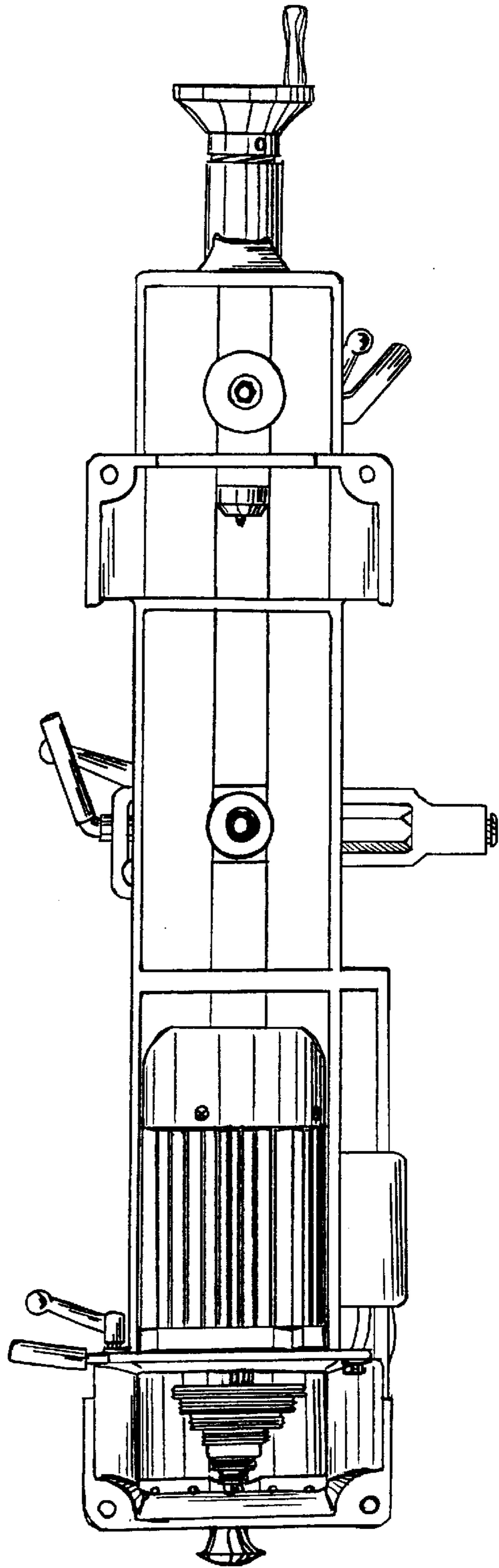


FIG. 7