



US00D446526B1

(12) **United States Design Patent**  
**Evers et al.**

(10) **Patent No.:** **US D446,526 S**

(45) **Date of Patent:** **\*\* Aug. 14, 2001**

(54) **REMOVABLE FACEPLATE FOR A  
PERSONAL DIGITAL ASSISTANT DEVICE**

(75) Inventors: **Maaïke Evers**, San Francisco; **David Northway**, San Carlos; **David Christopher**, San Francisco; **Heather Klaubert**, Redwood City; **Lauren Utigard**, Pleasanton; **Zita Thorpe-Netzel**, Campbell, all of CA (US)

(73) Assignee: **Palm, Inc.**, Santa Clara, CA (US)

(\*\*) Term: **14 Years**

(21) Appl. No.: **29/130,308**

(22) Filed: **Sep. 29, 2000**

(51) **LOC (7) Cl.** ..... **14-02**

(52) **U.S. Cl.** ..... **D14/441; D14/341**

(58) **Field of Search** ..... D14/341–346,  
D14/339, 441–446, 432; D18/2, 7; 235/145 A,  
145 R; 341/22, 23; 345/156, 168, 169,  
172, 173; 349/12; 361/680–686; 395/326

(56) **References Cited**

**U.S. PATENT DOCUMENTS**

D. 266,563	10/1982	White	.....	D14/346
D. 319,433	8/1991	Pearce	.....	D14/341
D. 330,907	* 11/1992	Burke	.....	D18/7
D. 356,546	3/1995	Peart	.....	D14/341
D. 357,000	4/1995	Takahashi	.....	D14/341
D. 397,679	* 9/1998	Hawkins et al.	.....	D14/342
D. 398,904	* 9/1998	Tamaki et al.	.....	D14/341
D. 408,021	4/1999	Haitani et al.	.....	D14/345
D. 408,372	* 4/1999	Ota et al.	.....	D14/346
D. 415,122	* 10/1999	Monnig	.....	D14/339
D. 416,001	11/1999	Tal et al.	.....	D14/347
D. 423,468	4/2000	Jenkins	.....	D14/342
D. 426,236	6/2000	Kim et al.	.....	D14/345
D. 430,127	8/2000	Collins et al.	.....	D14/138

D. 433,409	11/2000	Chen	.....	D14/336
D. 434,034	11/2000	Burke et al.	.....	D14/341
D. 436,591	1/2001	Abston et al.	.....	D14/341
D. 436,963	1/2001	Kim et al.	.....	D14/432
5,596,350	1/1997	Capps et al.	.....	345/173
5,657,459	* 8/1997	Yanagisawa et al.	.....	395/326
5,661,632	8/1997	Register	.....	361/683
6,064,372	5/2000	Kahkosha	.....	345/173

\* cited by examiner

*Primary Examiner*—Freda Nunn

(74) *Attorney, Agent, or Firm*—Wagner, Murabito & Hao LLP

(57) **CLAIM**

We claim the ornamental design for a removable faceplate for a personal digital assistant device, as shown and described.

**DESCRIPTION**

FIG. 1 is a lower right front perspective view of a removable faceplate for a personal digital assistant device showing our new design, with a personal digital assistant device shown in dashed lines and not claimed;

FIG. 2 is an upper right rear perspective view of the removable faceplate for a personal digital assistant device showing our new design, with a personal digital assistant device shown in dashed lines and not claimed;

FIG. 3 is a lower right front perspective view of the removable faceplate for a personal digital assistant device showing our new design;

FIG. 4 is an upper right rear perspective view thereof;

FIG. 5 is an enlarged front elevational view thereof;

FIG. 6 is an enlarged right side elevational view thereof;

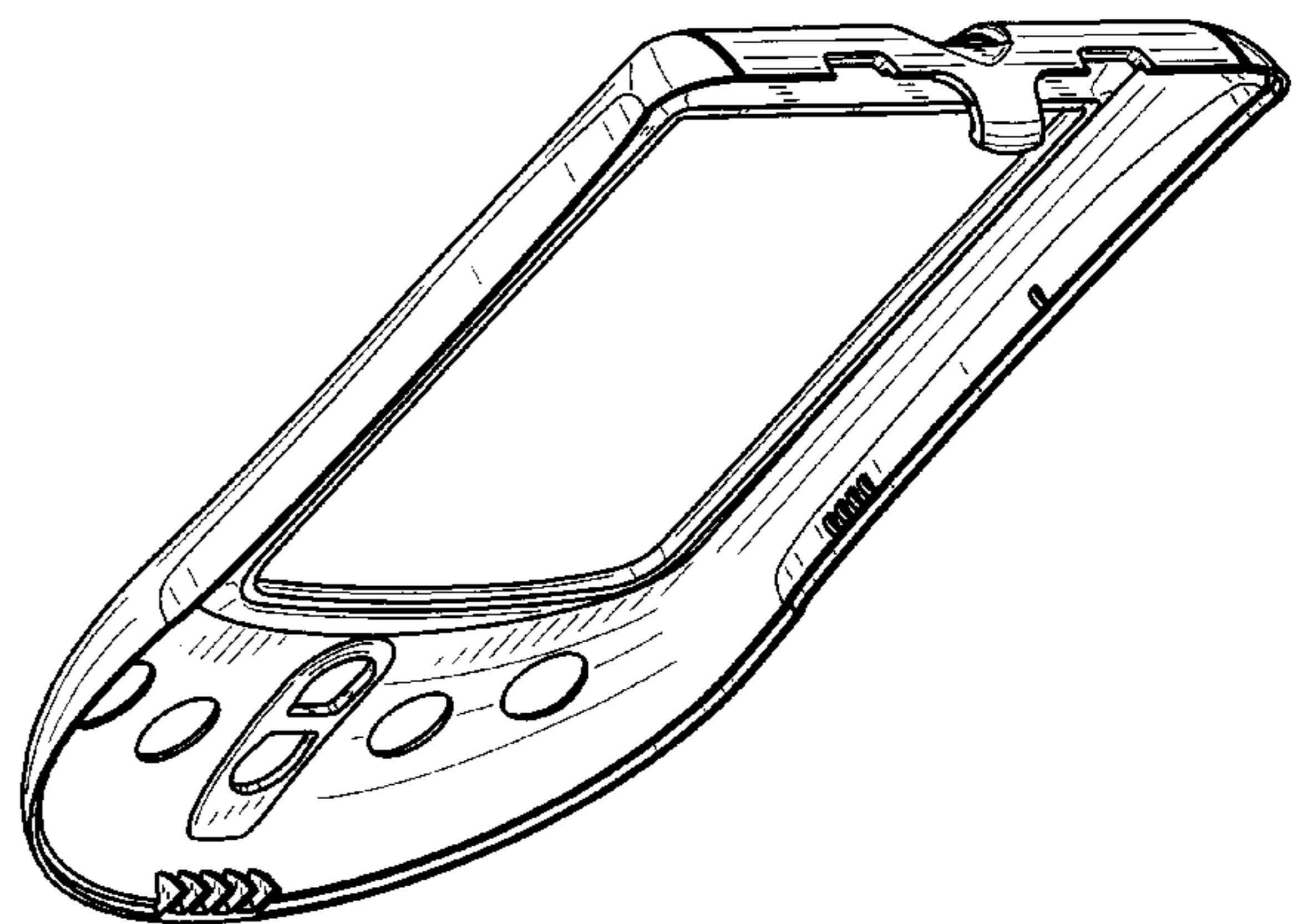
FIG. 7 is an enlarged rear elevational view thereof;

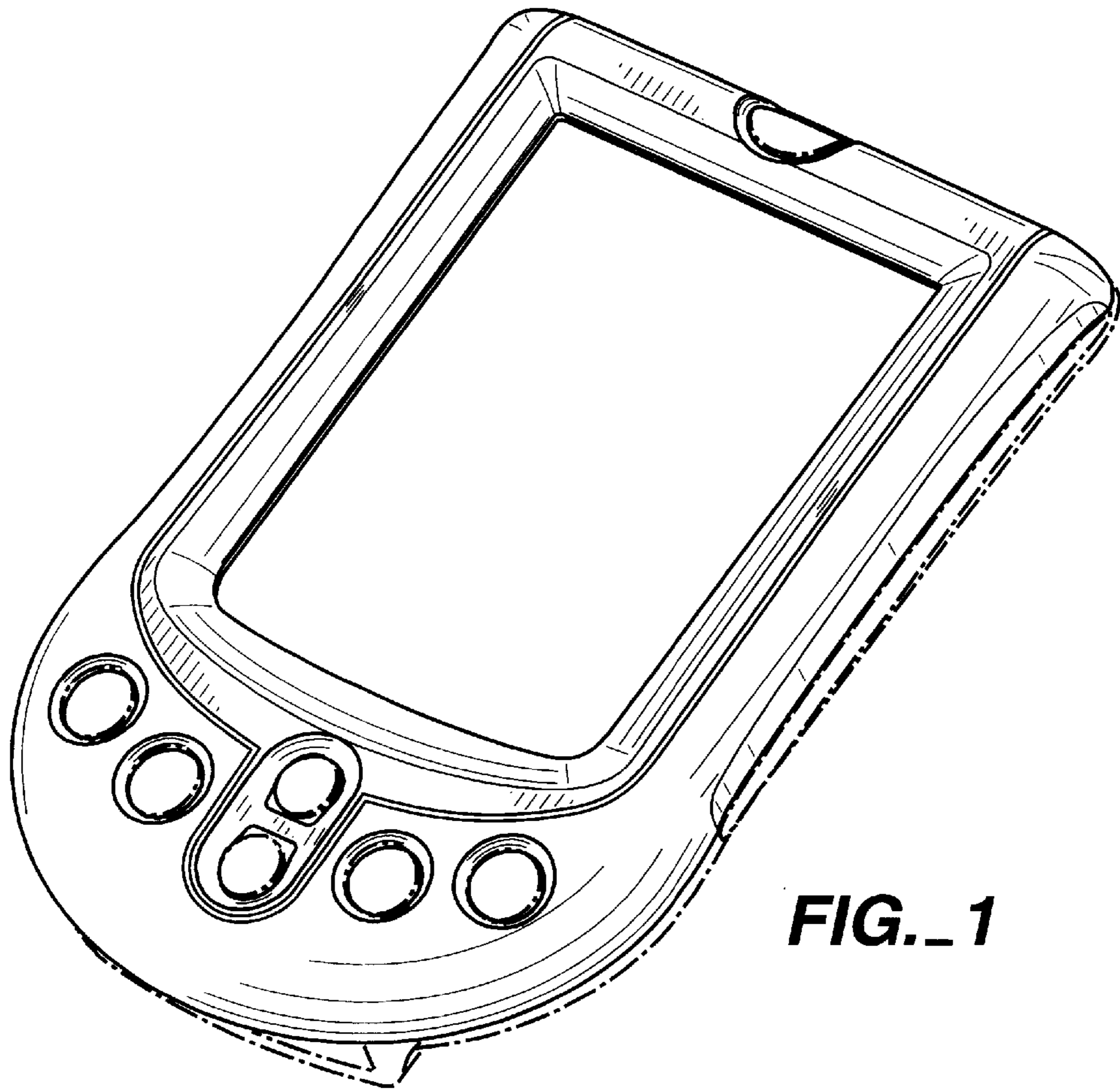
FIG. 8 is an enlarged left side elevational view thereof;

FIG. 9 is an enlarged top plan view thereof; and,

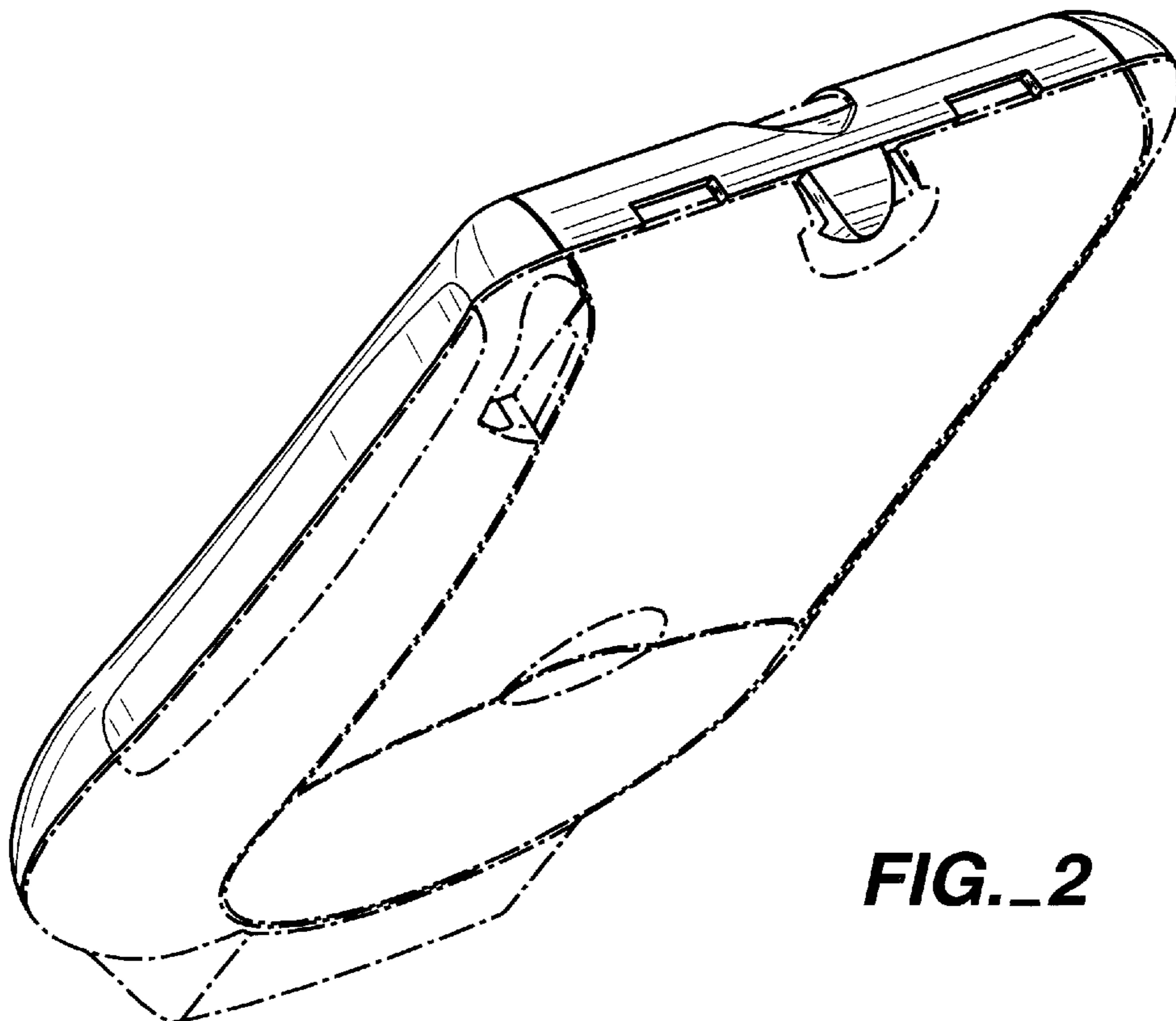
FIG. 10 is an enlarged bottom plan view thereof.

**1 Claim, 4 Drawing Sheets**

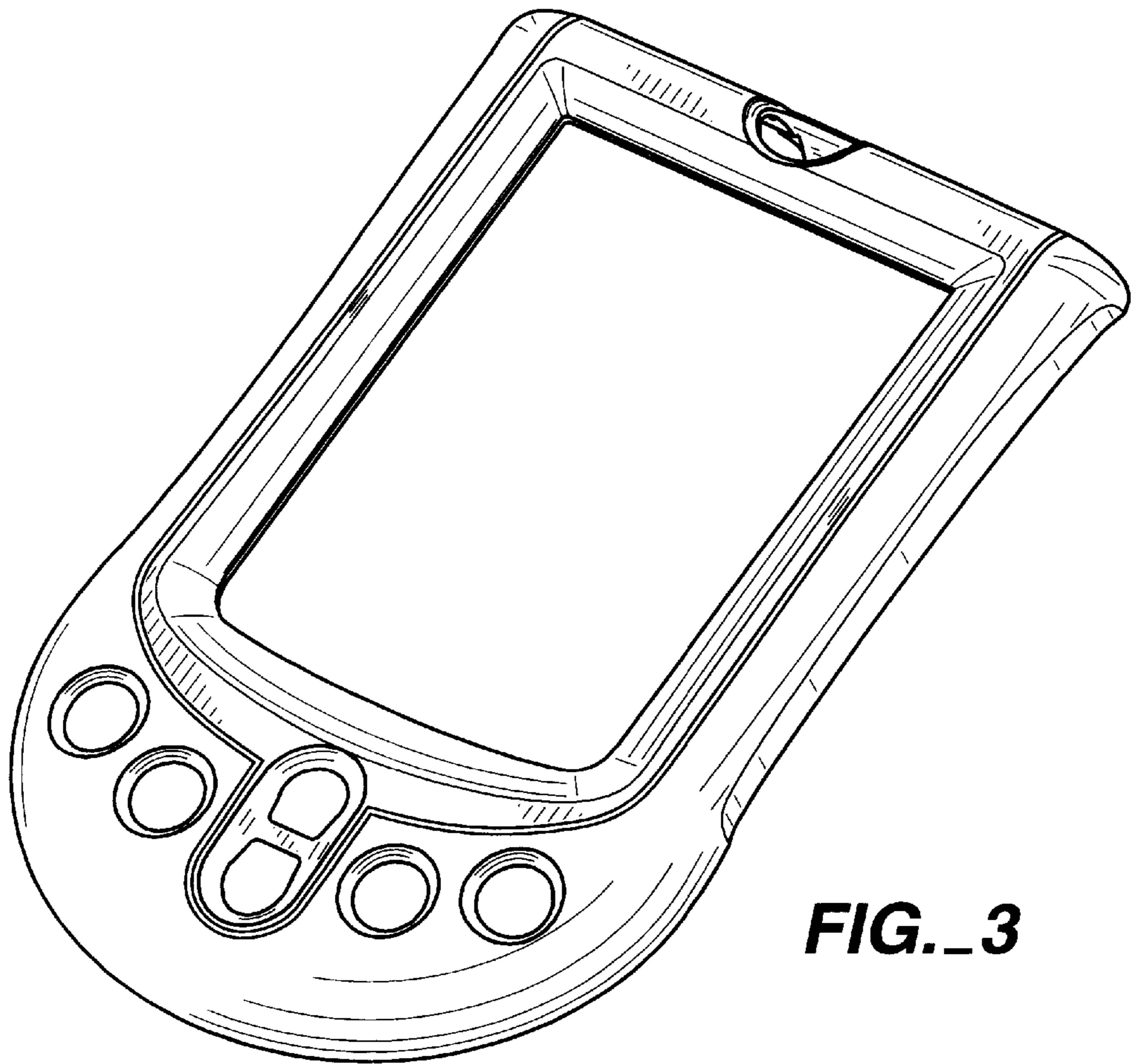




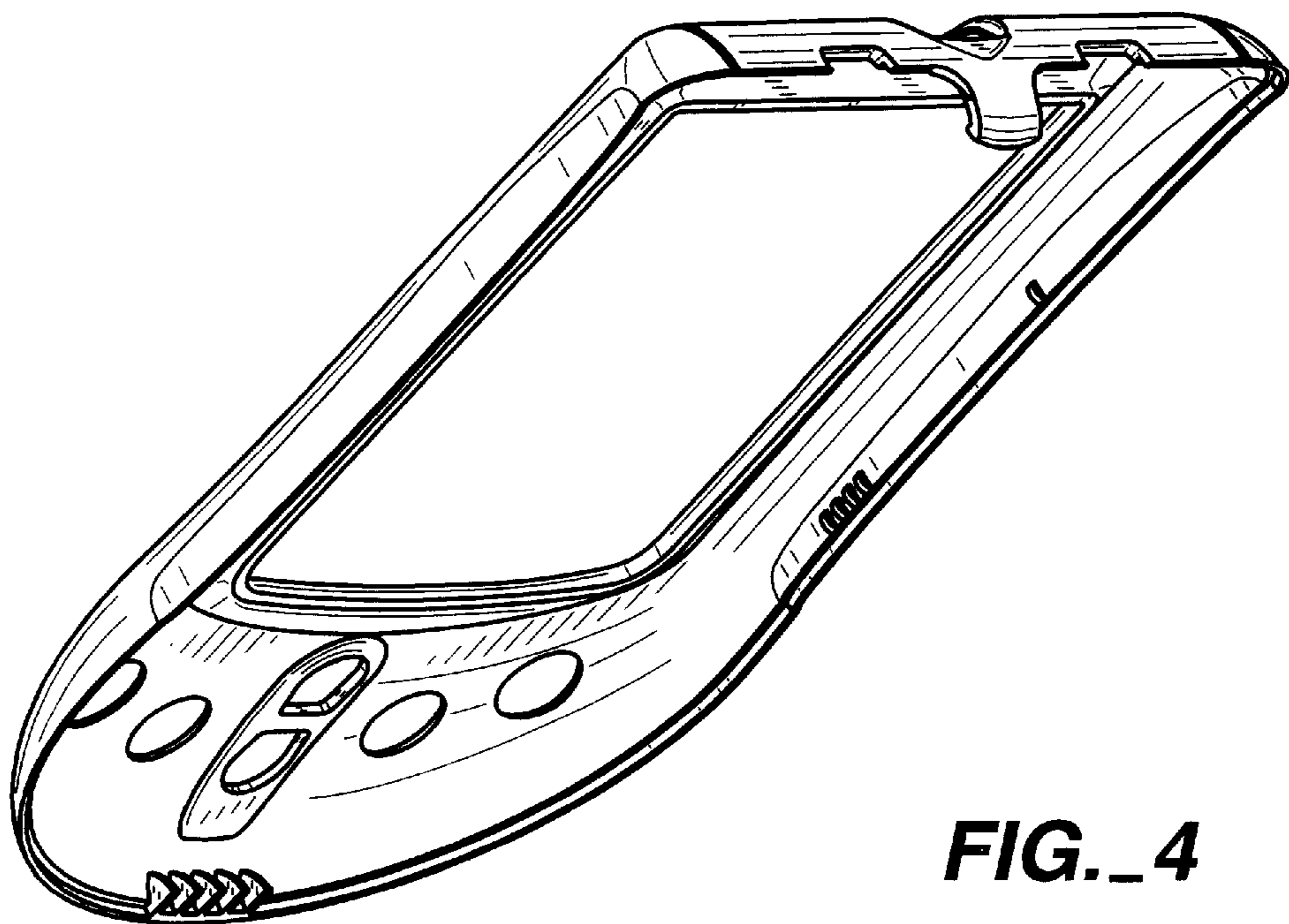
**FIG. 1**



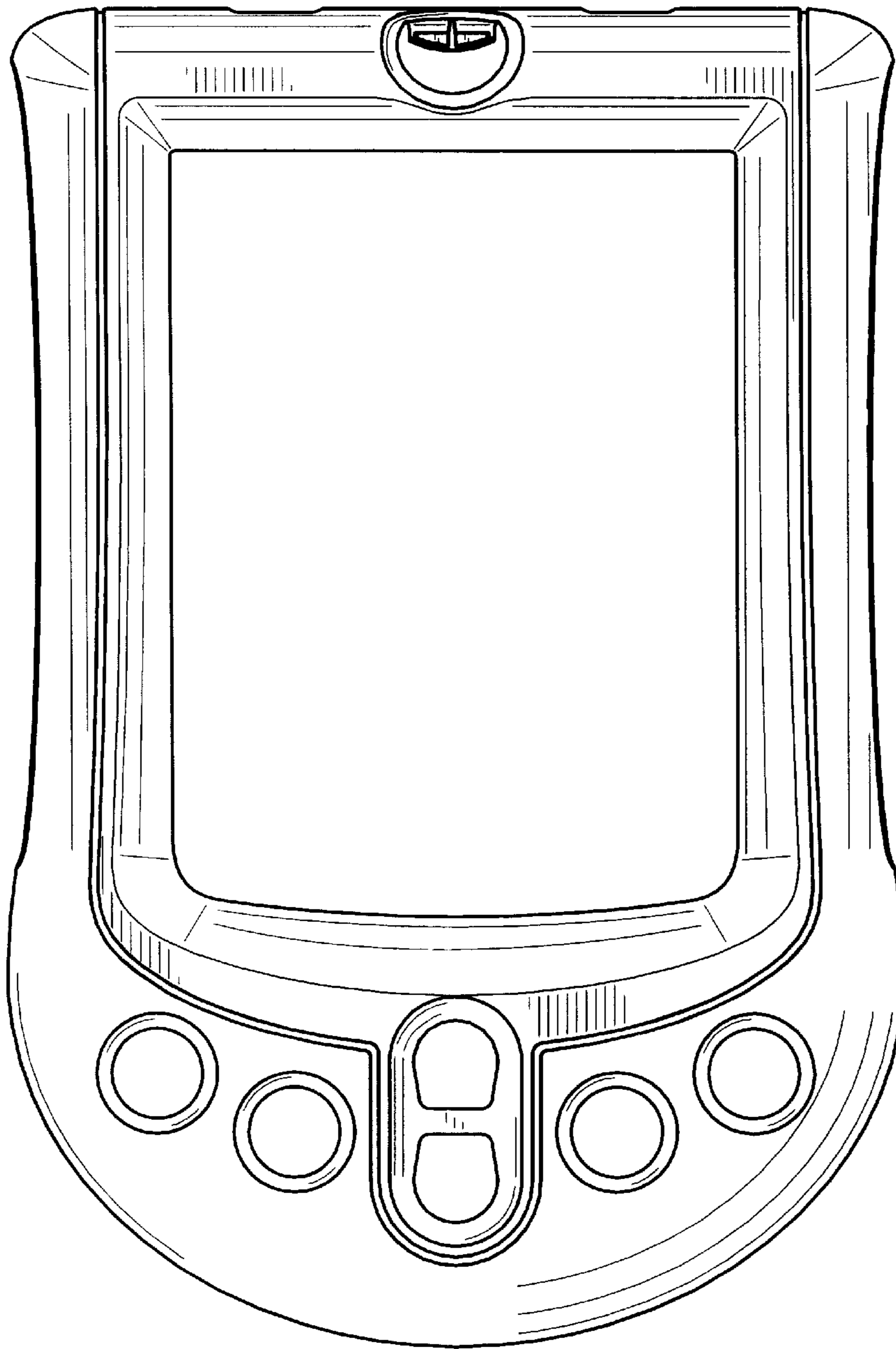
**FIG. 2**



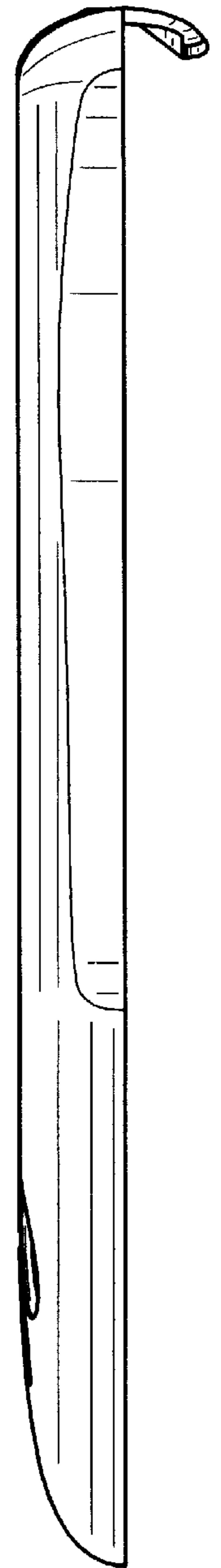
**FIG.\_3**



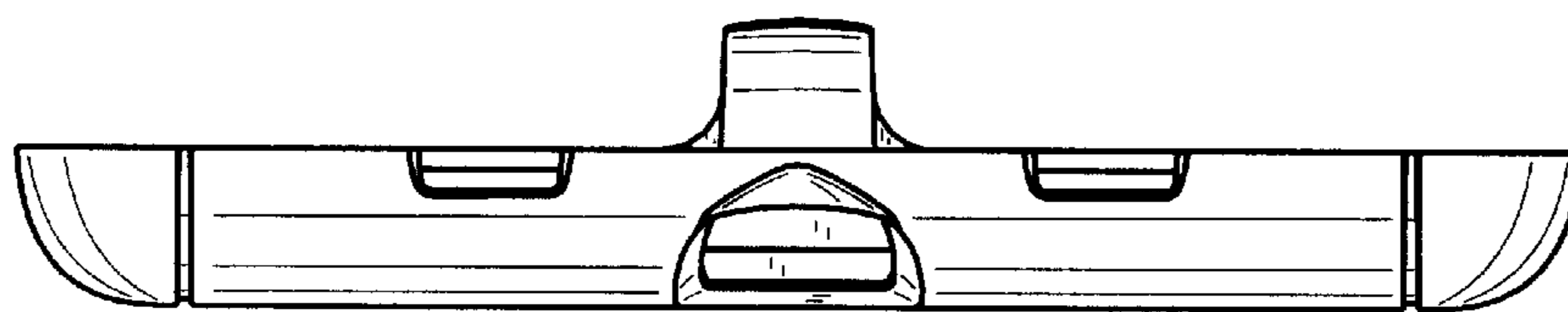
**FIG.\_4**



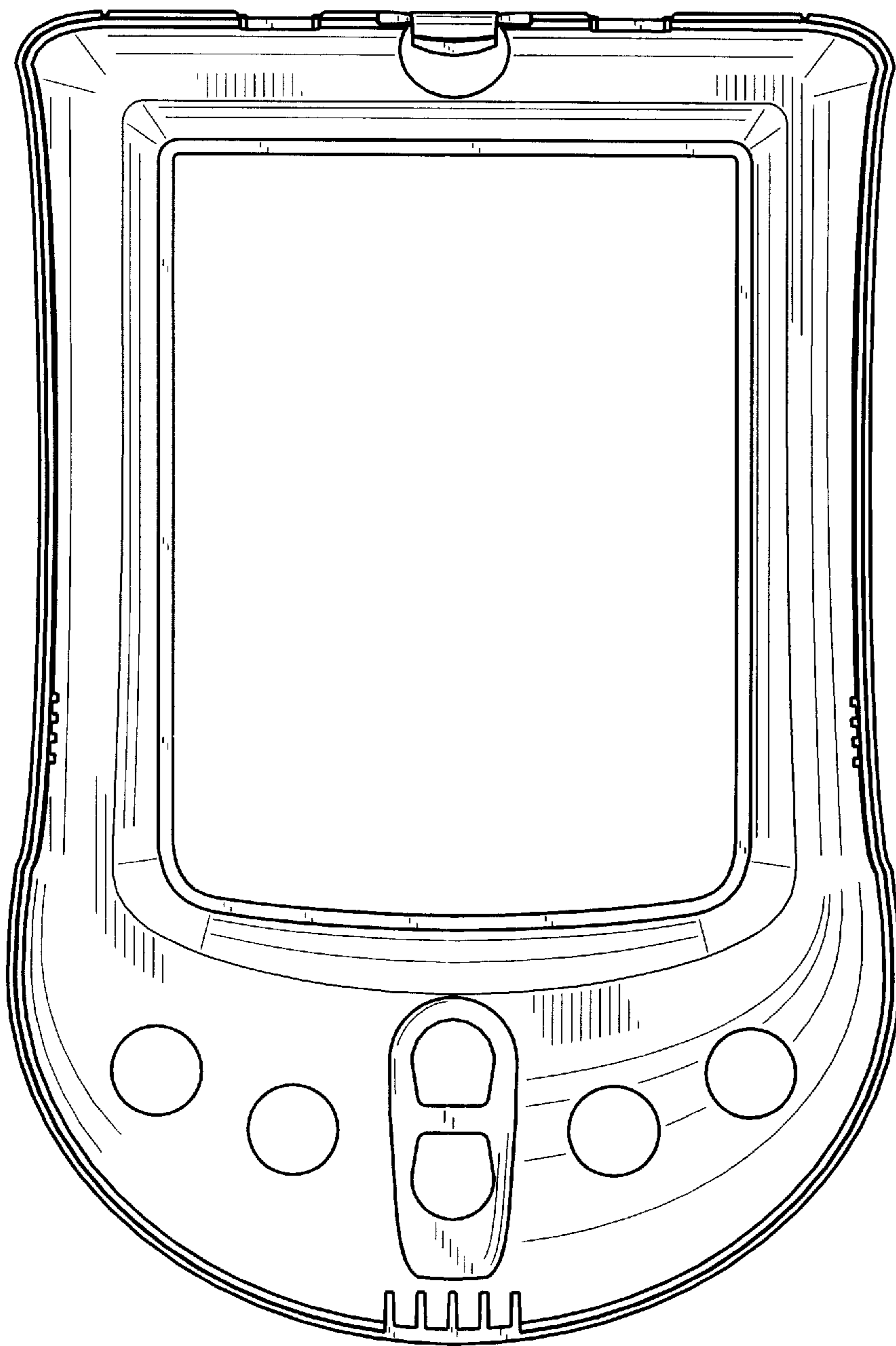
**FIG.\_5**



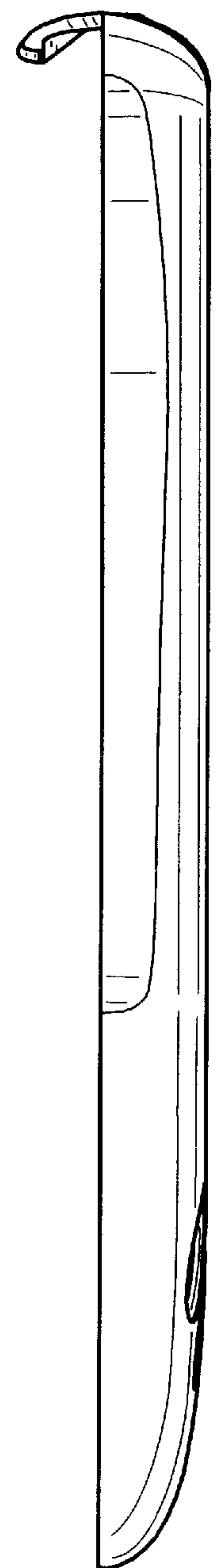
**FIG.\_6**



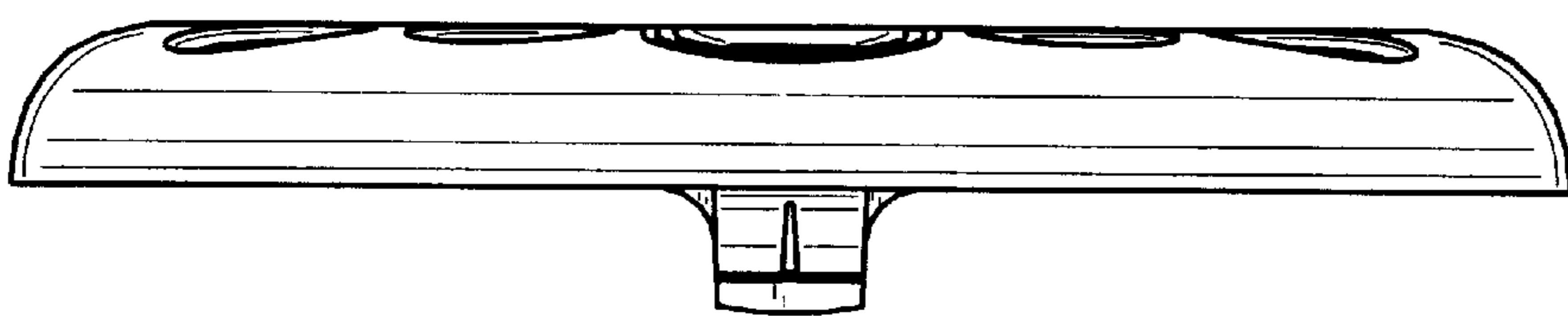
**FIG.\_9**



**FIG.\_7**



**FIG.\_8**



**FIG.\_10**