



US00D446519B1

(12) **United States Design Patent**  
**Wu**

(10) **Patent No.:** **US D446,519 S**

(45) **Date of Patent:** **\*\* Aug. 14, 2001**

(54) **LIQUID CRYSTAL DISPLAY**

(75) Inventor: **Wei-chung Wu**, San Chung (TW)

(73) Assignee: **Amtran Technology Co., Ltd.**, Sun Chung (TW)

(\*\*) Term: **14 Years**

(21) Appl. No.: **29/111,135**

(22) Filed: **Sep. 23, 1999**

(51) **LOC (7) Cl.** ..... **14-02**

(52) **U.S. Cl.** ..... **D14/375; D14/126**

(58) **Field of Search** ..... D14/371, 374,  
D14/375, 379, 126-129; 345/104, 133,  
156, 168, 173; 348/180, 184, 325, 739;  
341/12; 349/1, 2, 11, 62; 248/917-924

(56) **References Cited**

**U.S. PATENT DOCUMENTS**

D. 391,557 \* 3/1998 Tada et al. .... D14/375

D. 394,048 \* 5/1998 Lee ..... D14/375

D. 394,248 \* 5/1998 Duan ..... D14/375

\* cited by examiner

*Primary Examiner*—Freda Nunn

(74) *Attorney, Agent, or Firm*—Bacon & Thomas, PLLC

(57) **CLAIM**

The ornamental design for a liquid crystal display, as shown and described.

**DESCRIPTION**

FIG. 1 is a perspective view of a liquid crystal display that shows my new design;

FIG. 2 is a front elevational view;

FIG. 3 is a rear elevational view thereof;

FIG. 4 is a left side view thereof;

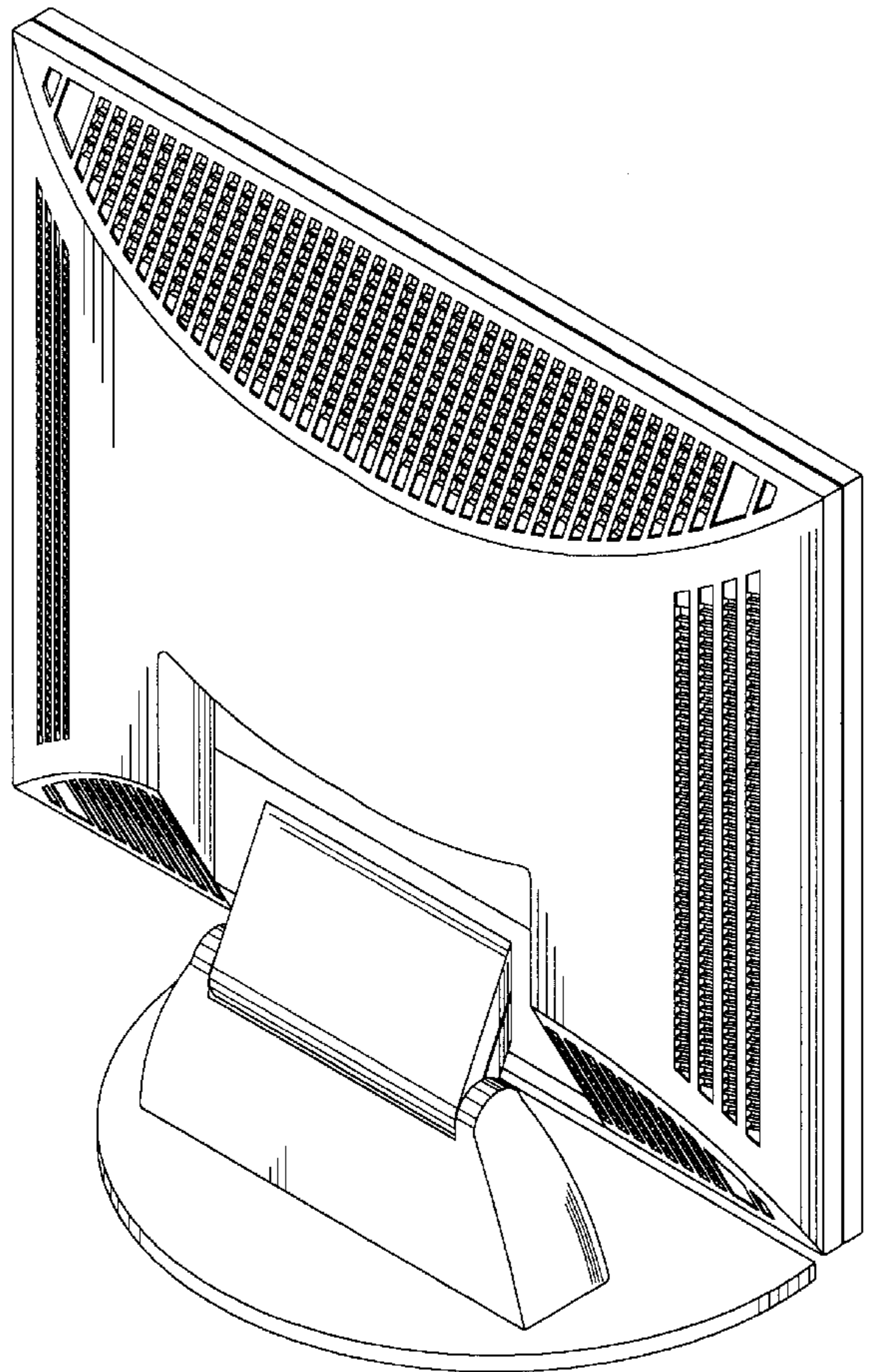
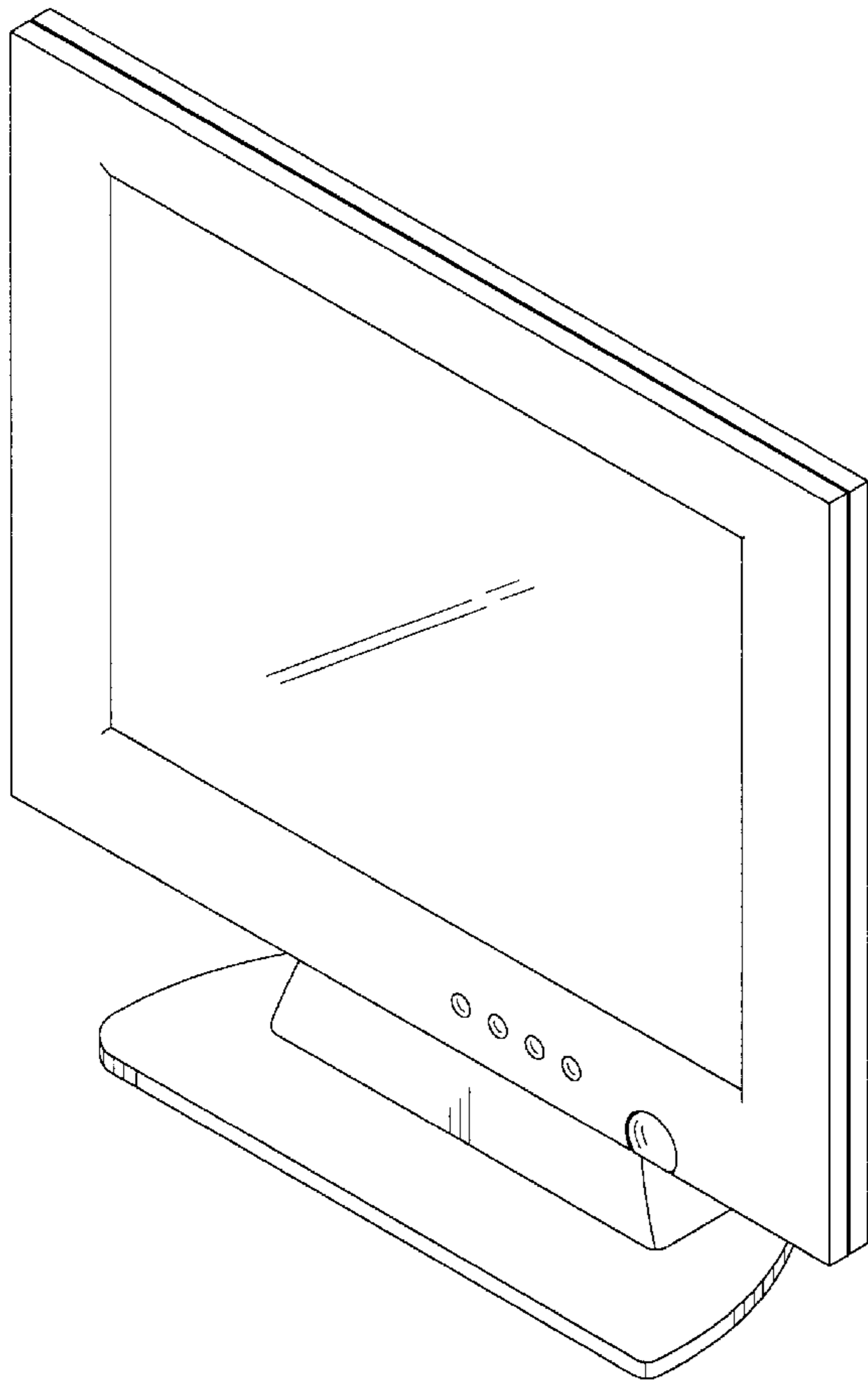
FIG. 5 is a right side view thereof;

FIG. 6 is a top plan view thereof;

FIG. 7 is a bottom plan view thereof; and,

FIG. 8 is a rear perspective view thereof.

**1 Claim, 8 Drawing Sheets**



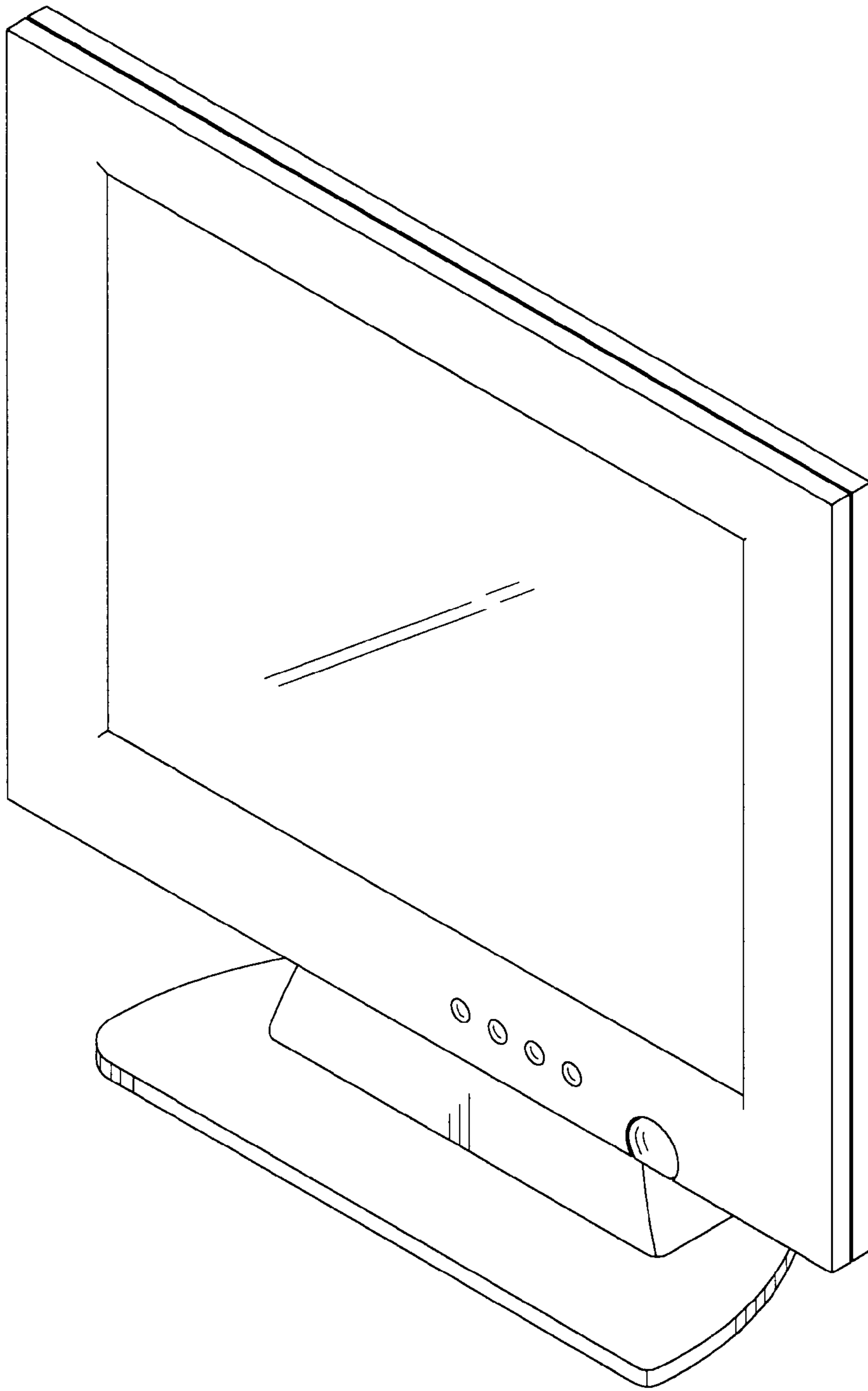


FIG. 1

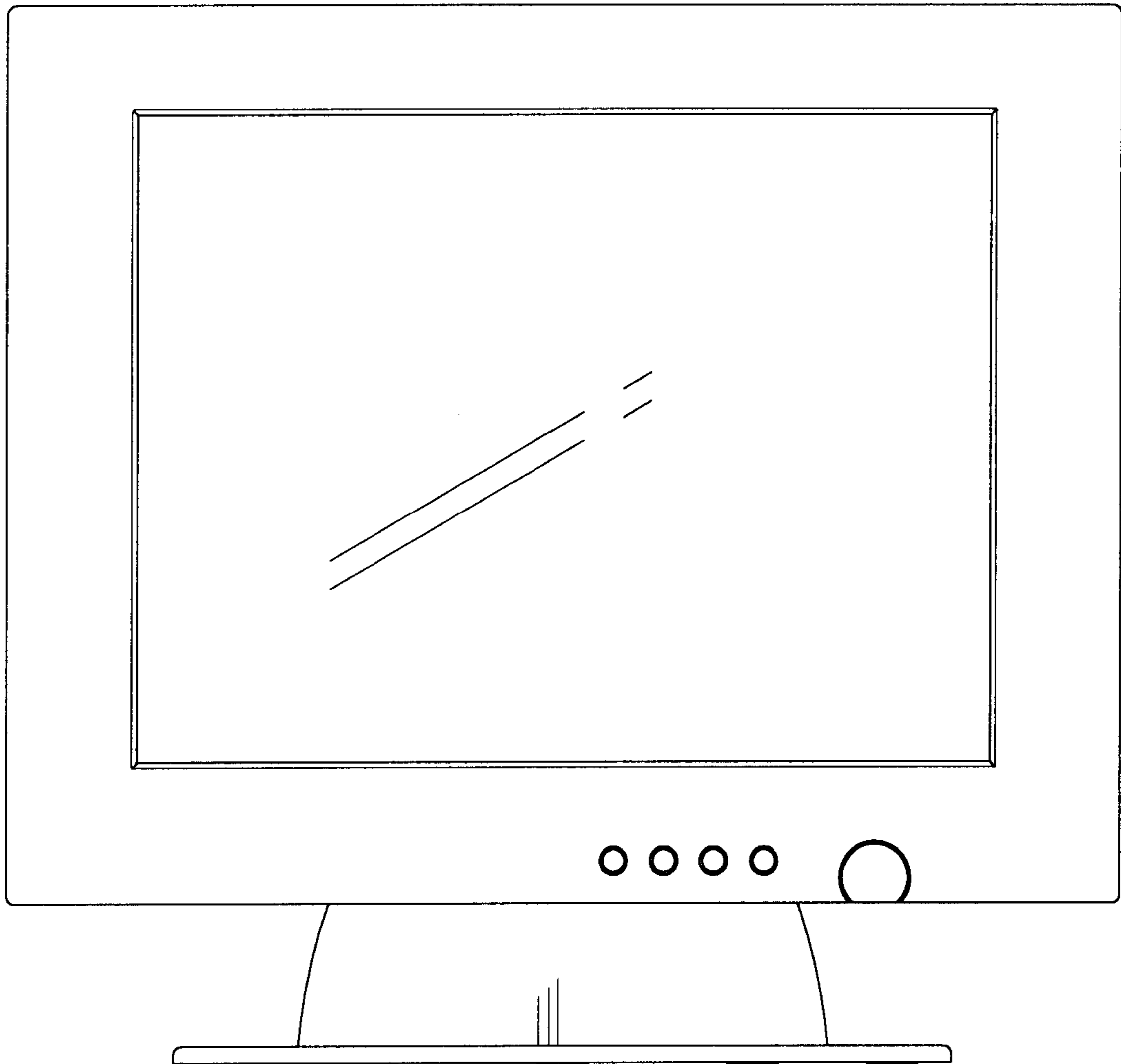


FIG. 2

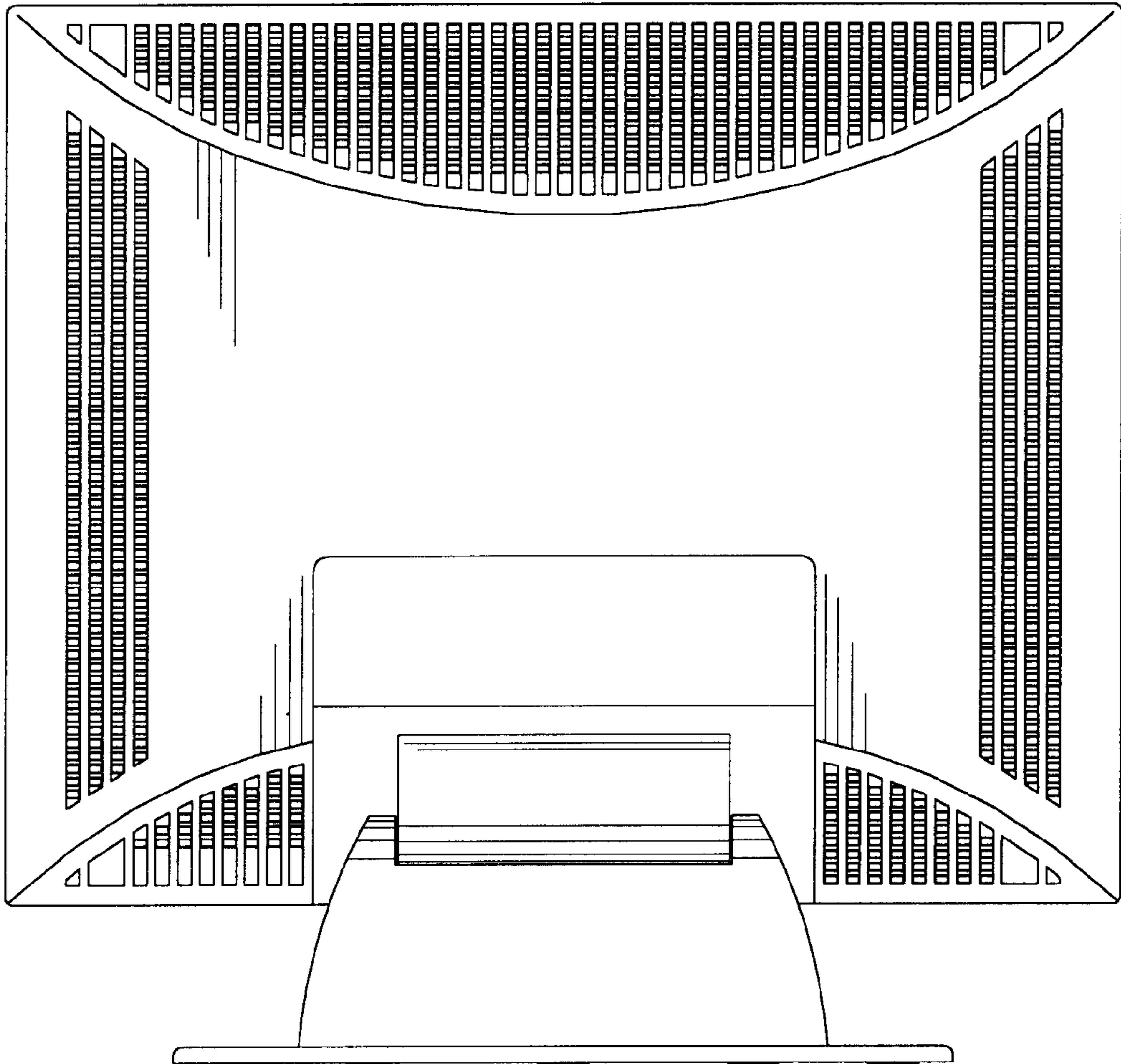


FIG. 3

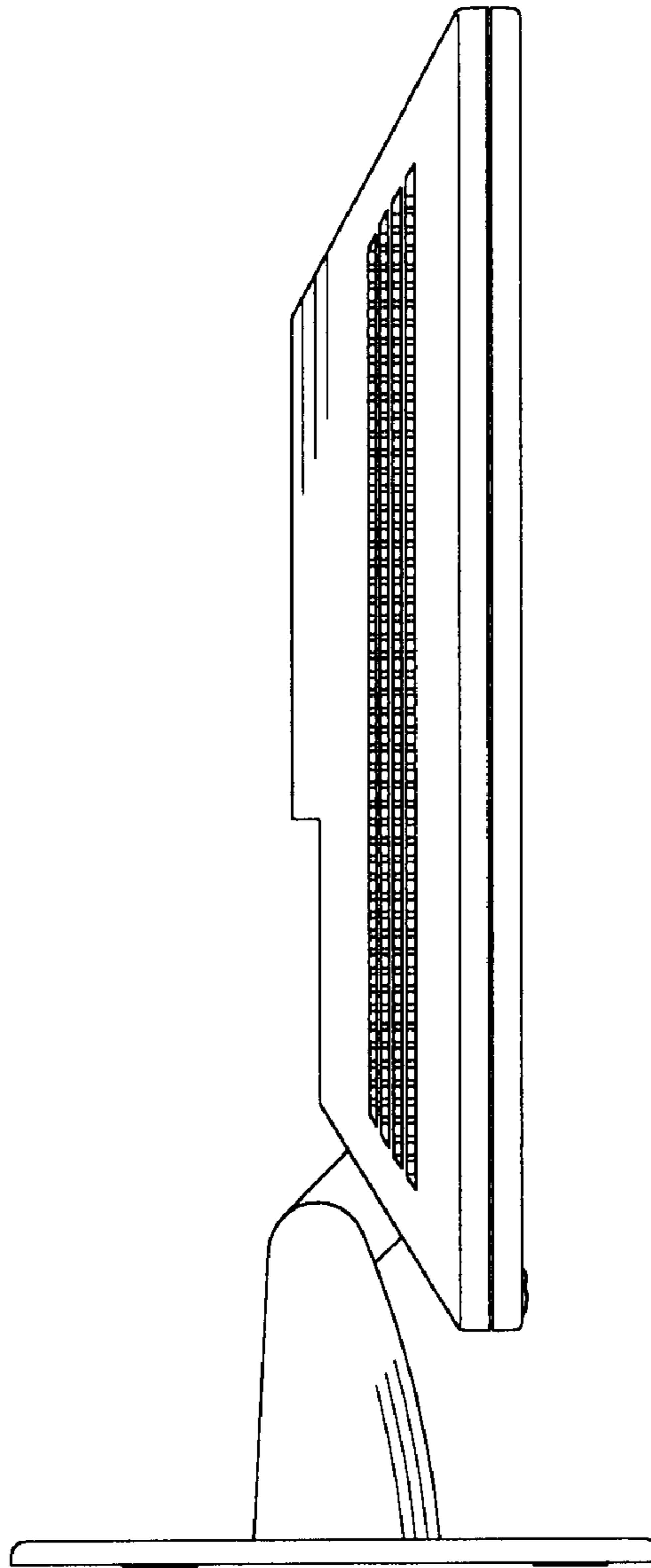


FIG. 4

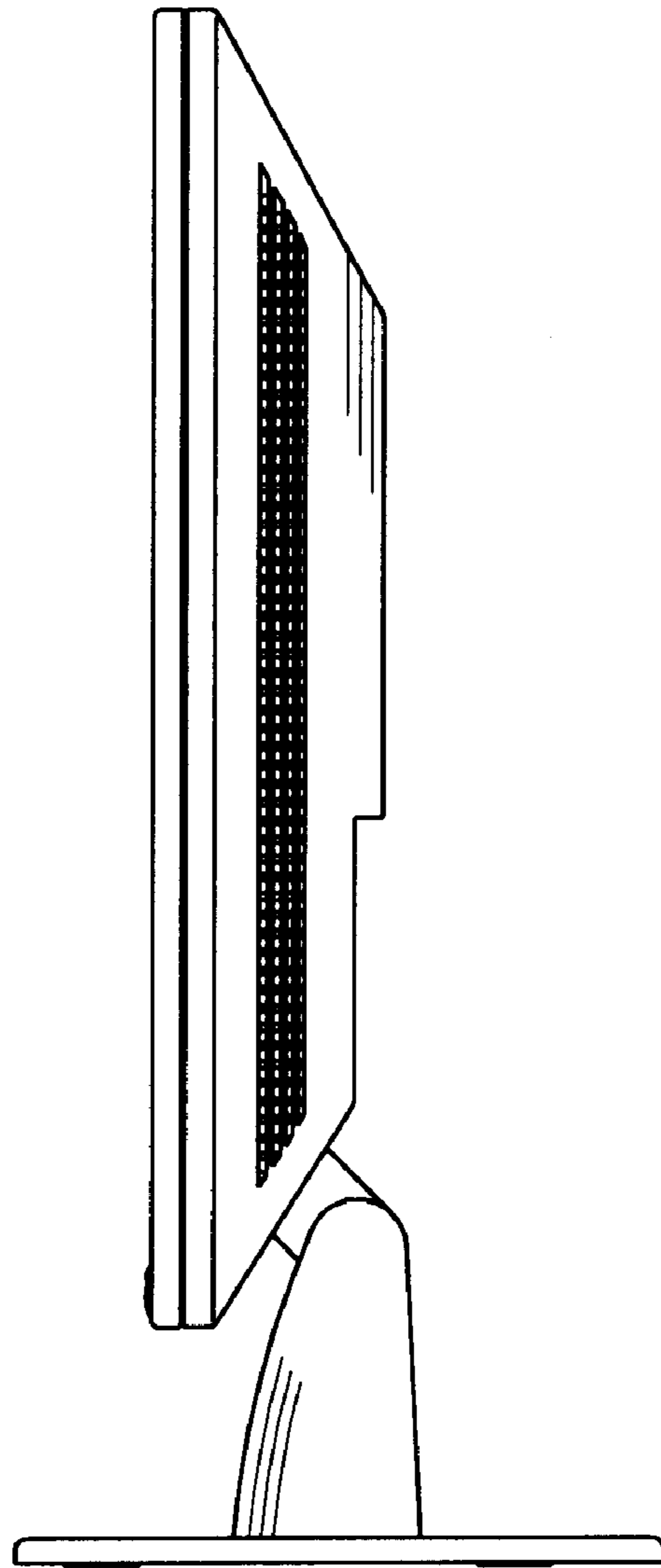


FIG. 5

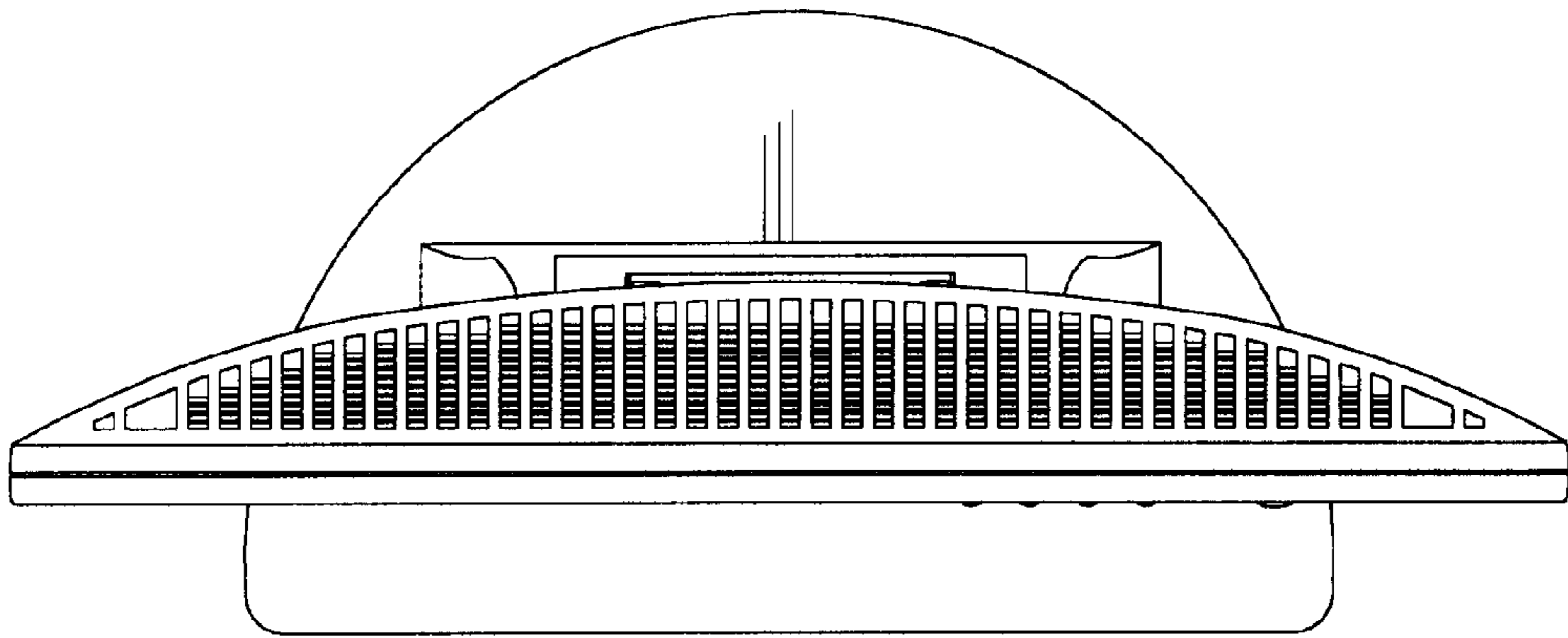


FIG. 6

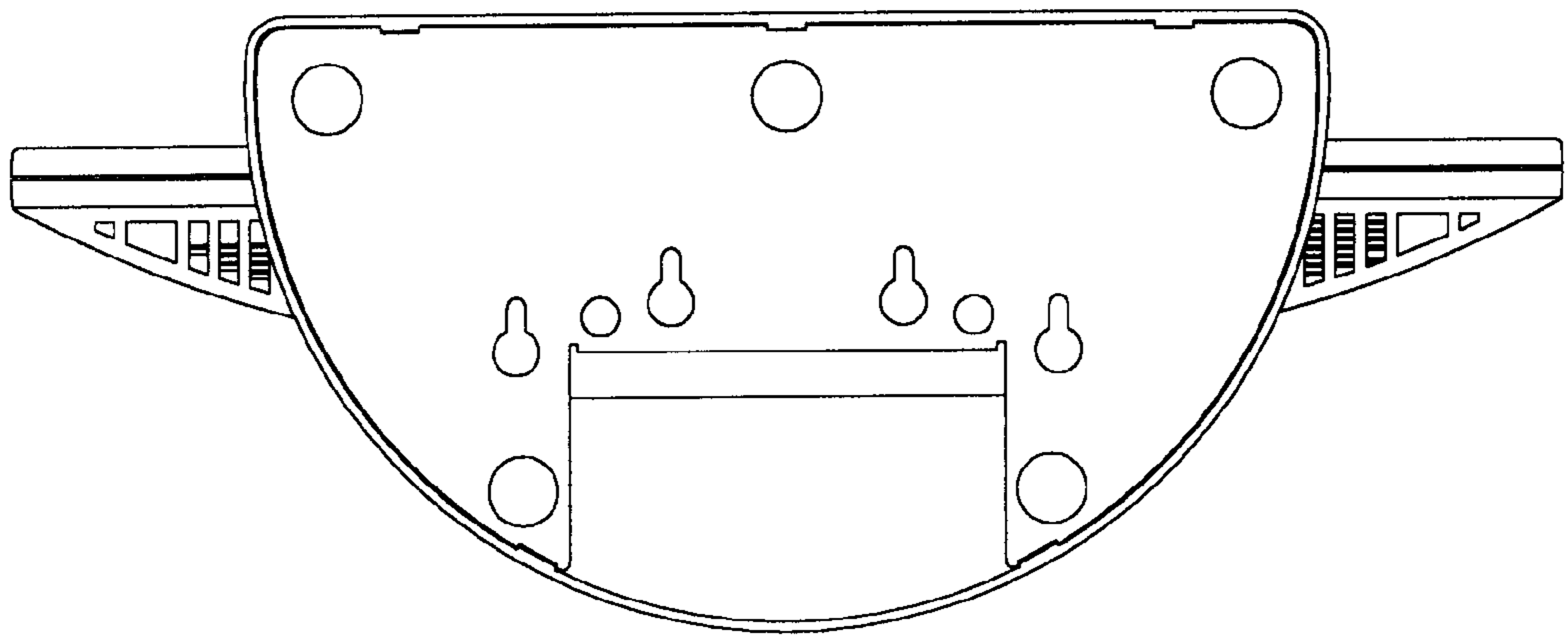


FIG. 7



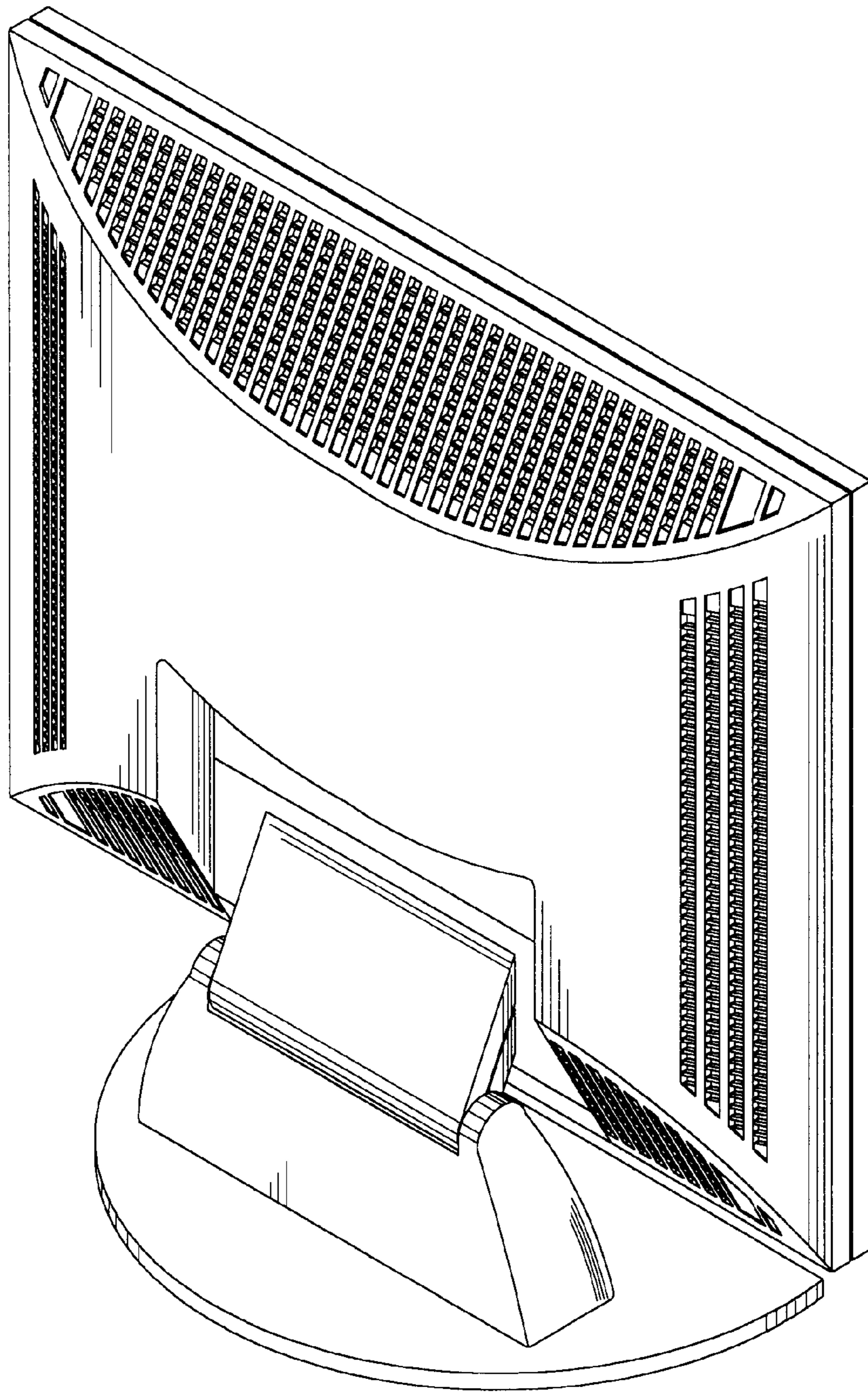


FIG. 8