



US00D446510B1

(12) **United States Design Patent**
Hori et al.

(10) **Patent No.:** **US D446,510 S**

(45) **Date of Patent:** **** Aug. 14, 2001**

(54) **COMBINED DIGITAL AUDIO DISC PLAYER AND RADIO TUNER FOR VEHICLE**

(75) Inventors: **Tomoo Hori; Toshiyuki Itabashi**, both of Kanagawa (JP)

(73) Assignee: **Matsushita Electric Industrial Co., Ltd.**, Osaka (JP)

(**) Term: **14 Years**

(21) Appl. No.: **29/134,974**

(22) Filed: **Jan. 2, 2001**

(30) **Foreign Application Priority Data**

Aug. 21, 2000 (JP) 12-022884

(51) **LOC (7) Cl.** **14-03**

(52) **U.S. Cl.** **D14/157; D14/162**

(58) **Field of Search** D14/135, 136, D14/156, 157, 162, 164, 168, 188, 197, 198, 257, 258; 369/75.1, 75.2, 77.1, 77.2; 255/344, 347, 350-351

(56) **References Cited**

U.S. PATENT DOCUMENTS

D. 391,958 * 3/1998 Miyazawa et al. D14/157

D. 400,529 * 11/1998 Kakizaki D14/157

D. 407,394 * 3/1999 Oh D14/135

D. 428,865 * 8/2000 Mishiwaki et al. D14/135

D. 430,123 * 8/2000 Shimohara et al. D14/135

5,848,042 * 12/1998 Takahashi et al. 369/75.1

FOREIGN PATENT DOCUMENTS

1052279 10/1999 (JP) .

* cited by examiner

Primary Examiner—Nanda Bondade

(74) *Attorney, Agent, or Firm*—Christensen O'Connor Johnson Kindness PLLC

(57) **CLAIM**

The ornamental design for a combined digital audio disc player and radio tuner for vehicle, as shown and described.

DESCRIPTION

FIG. 1 is a perspective view of the top, front and right side of a combined digital audio disc player and radio tuner for vehicle showing our new design; FIG. 2 is a top plan view thereof; FIG. 3 is a front view thereof; FIG. 4 is a right side view thereof; FIG. 5 is a left side view thereof; FIG. 6 is a rear view thereof; and, FIG. 7 is a bottom view thereof.

1 Claim, 4 Drawing Sheets

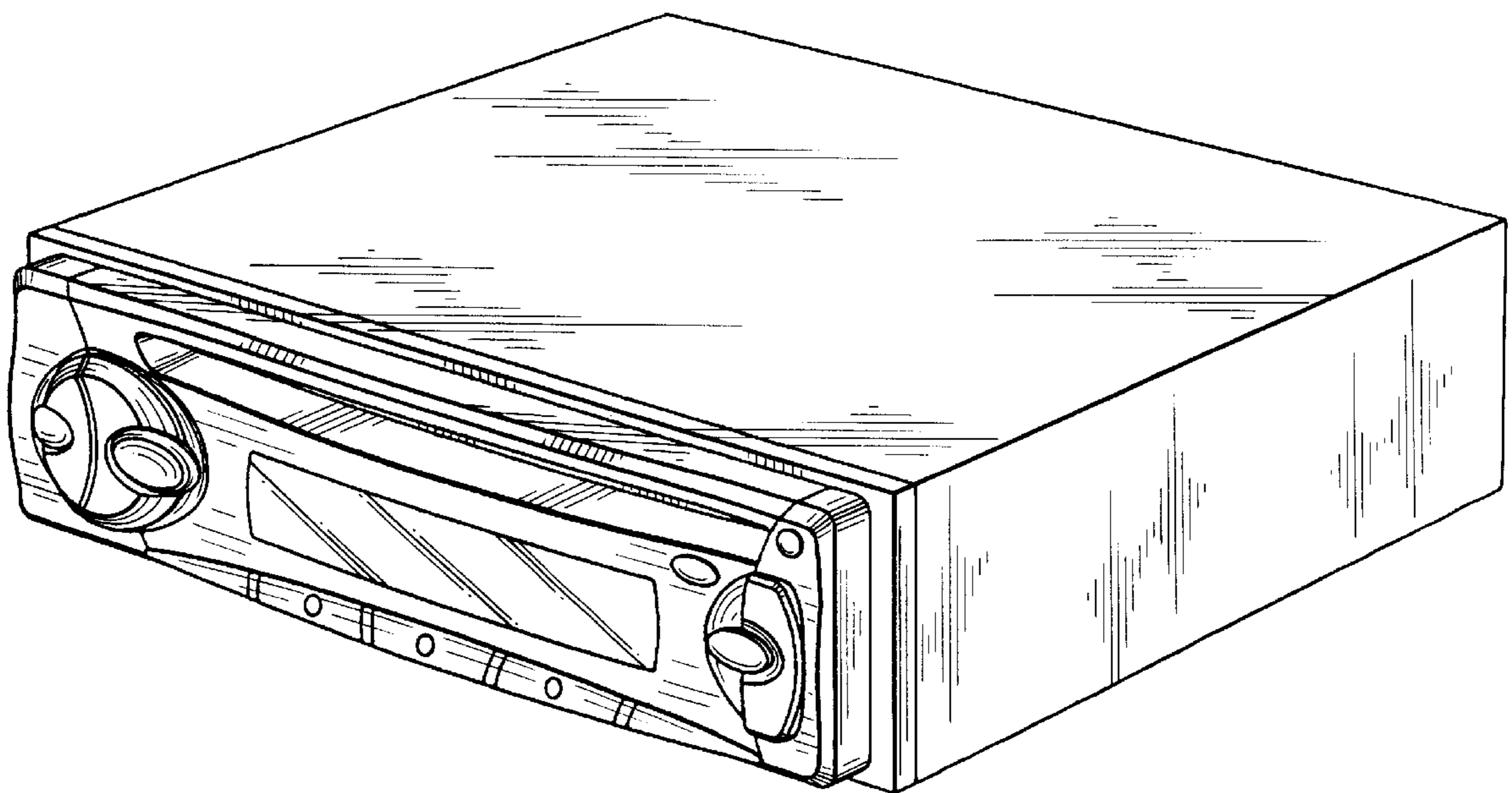


FIG. 1

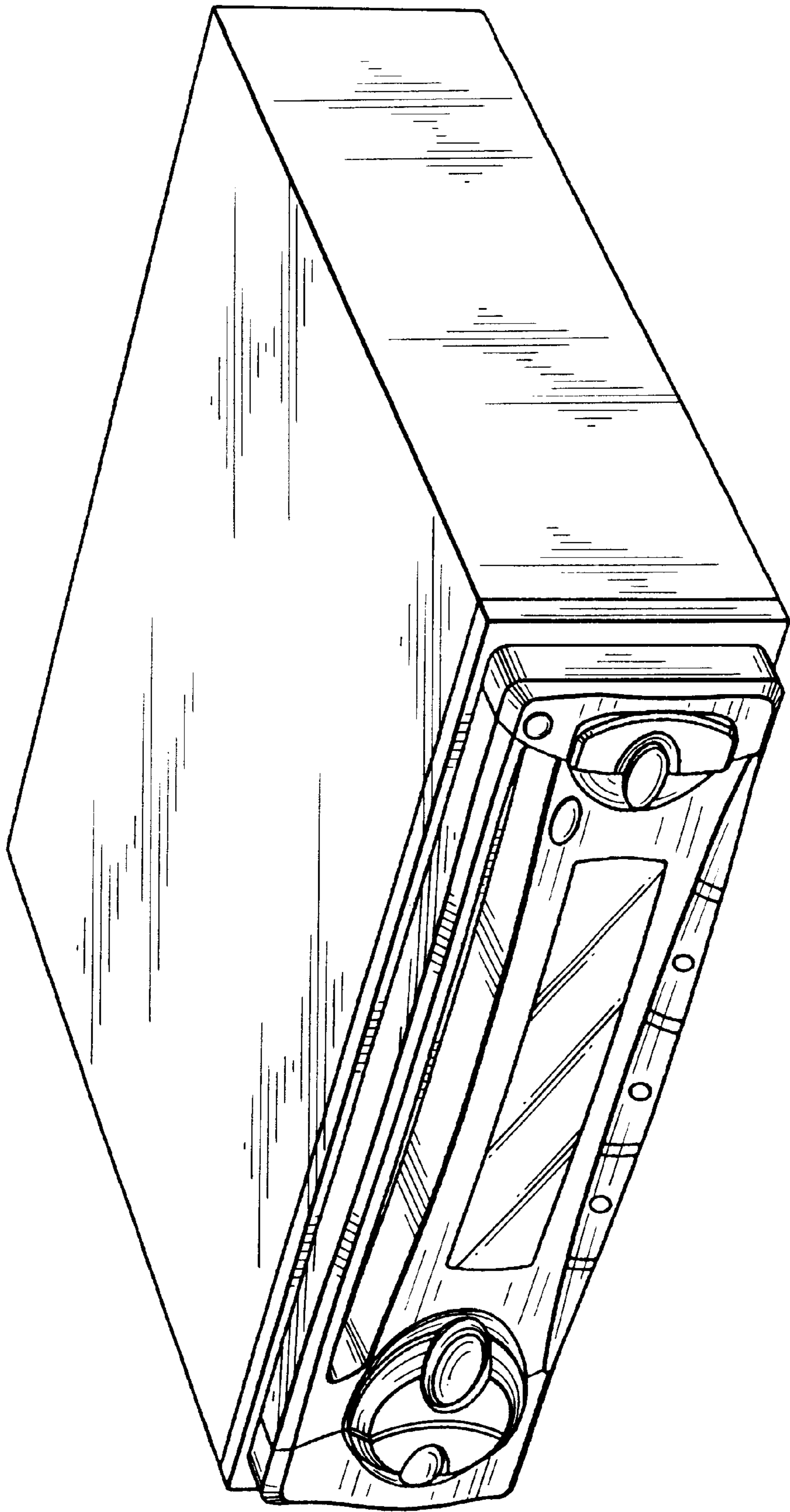


FIG. 2

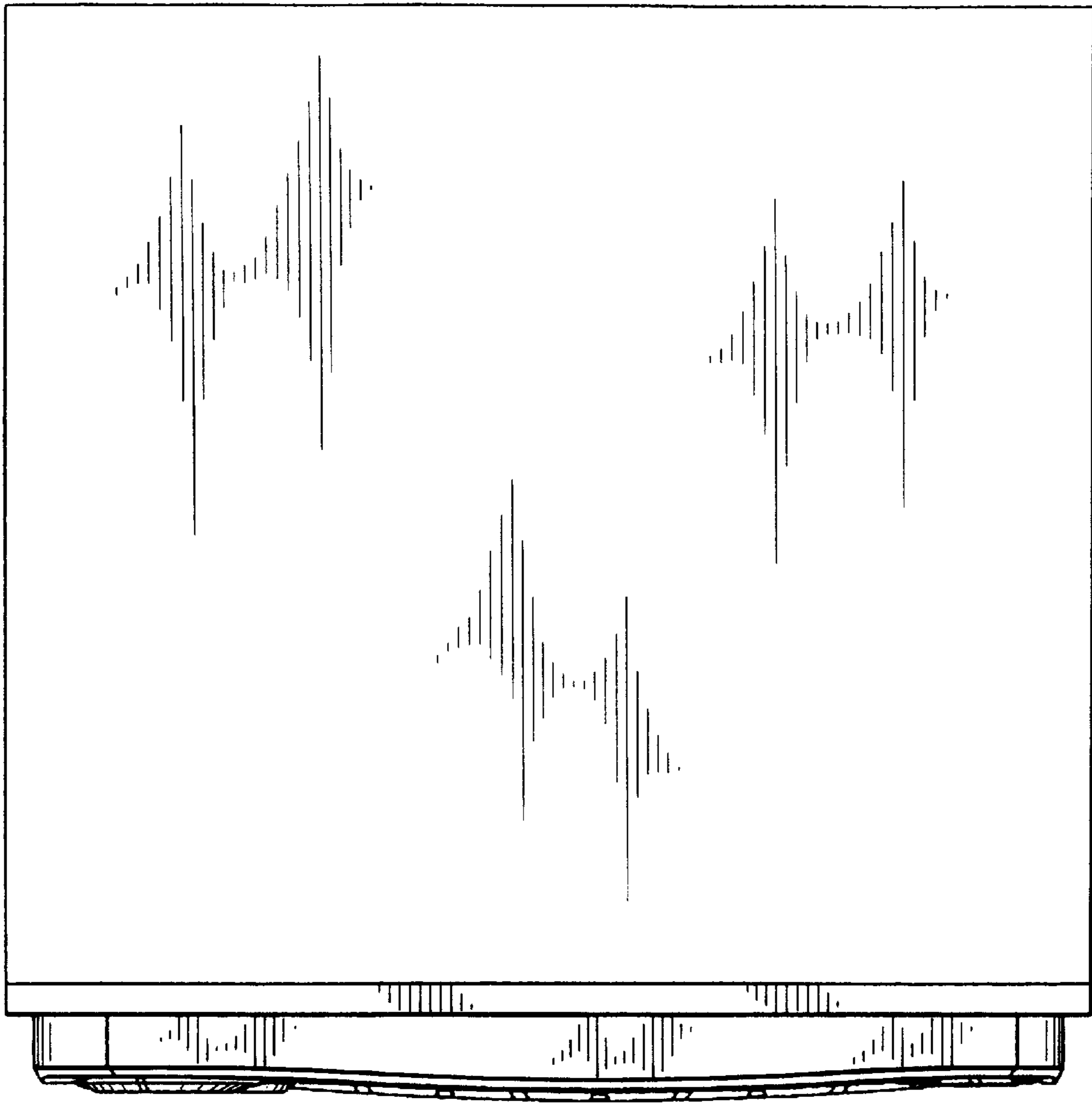


FIG. 3

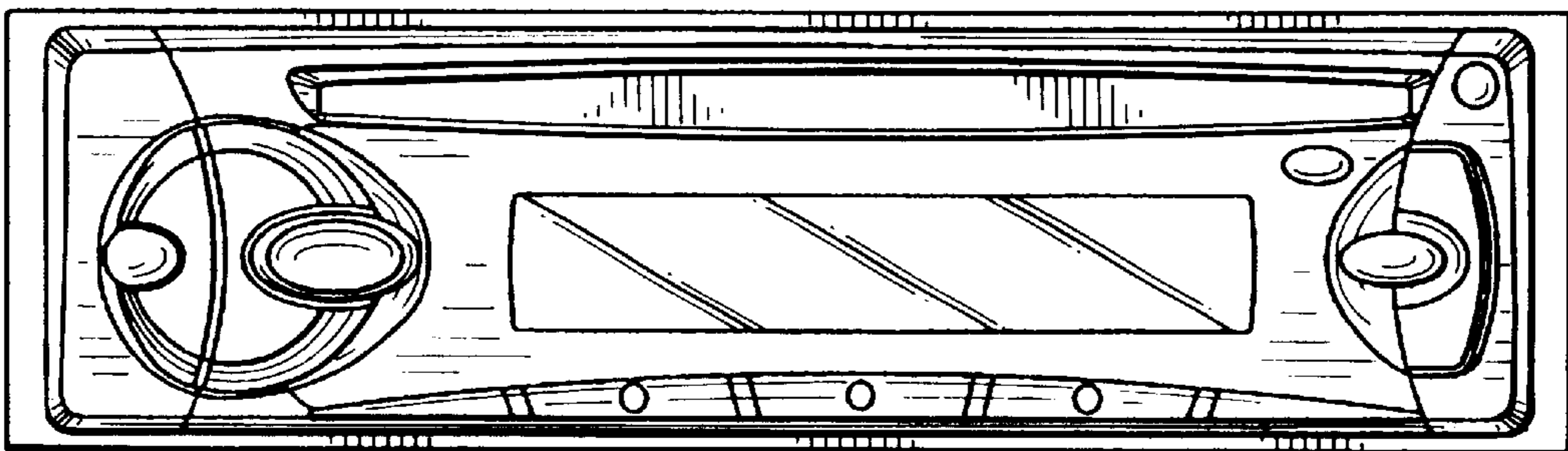


FIG. 4

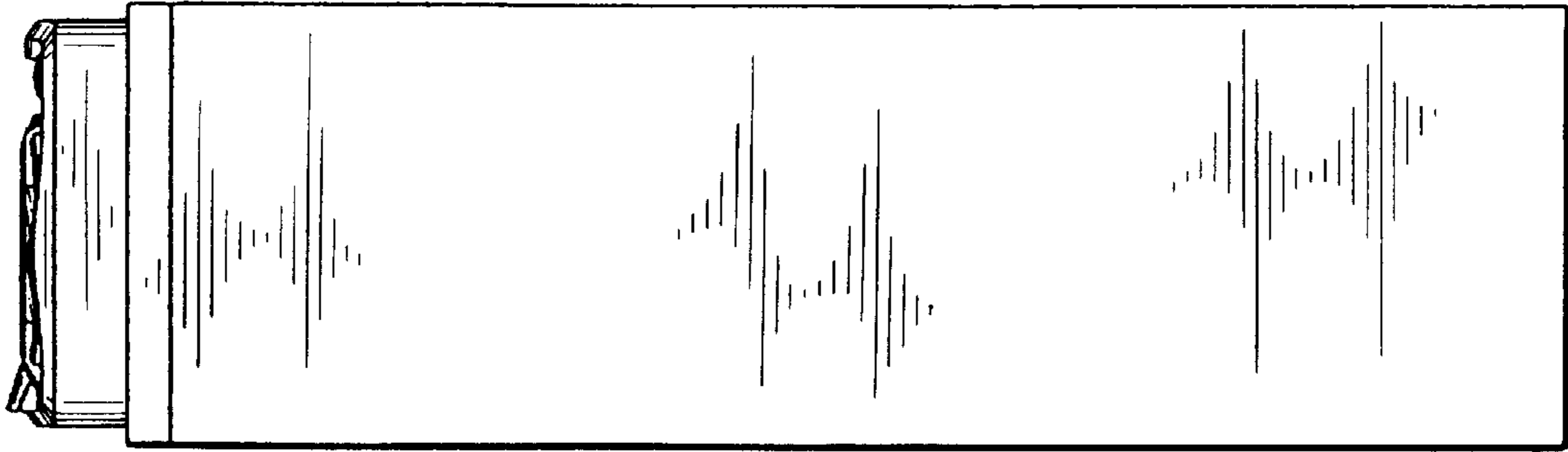


FIG. 5

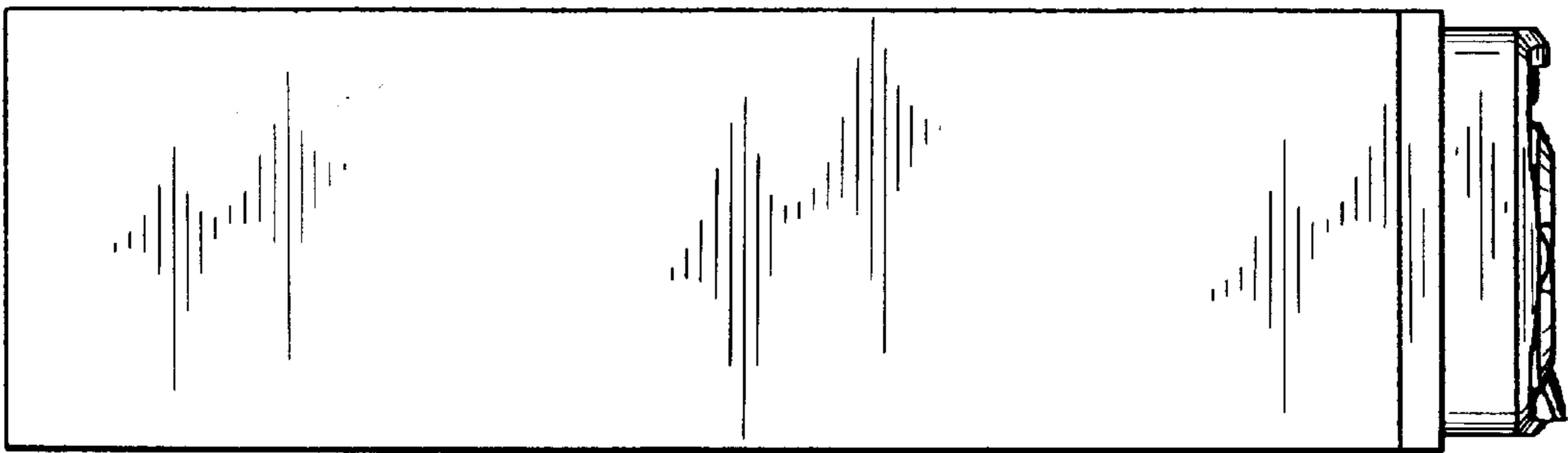


FIG. 6

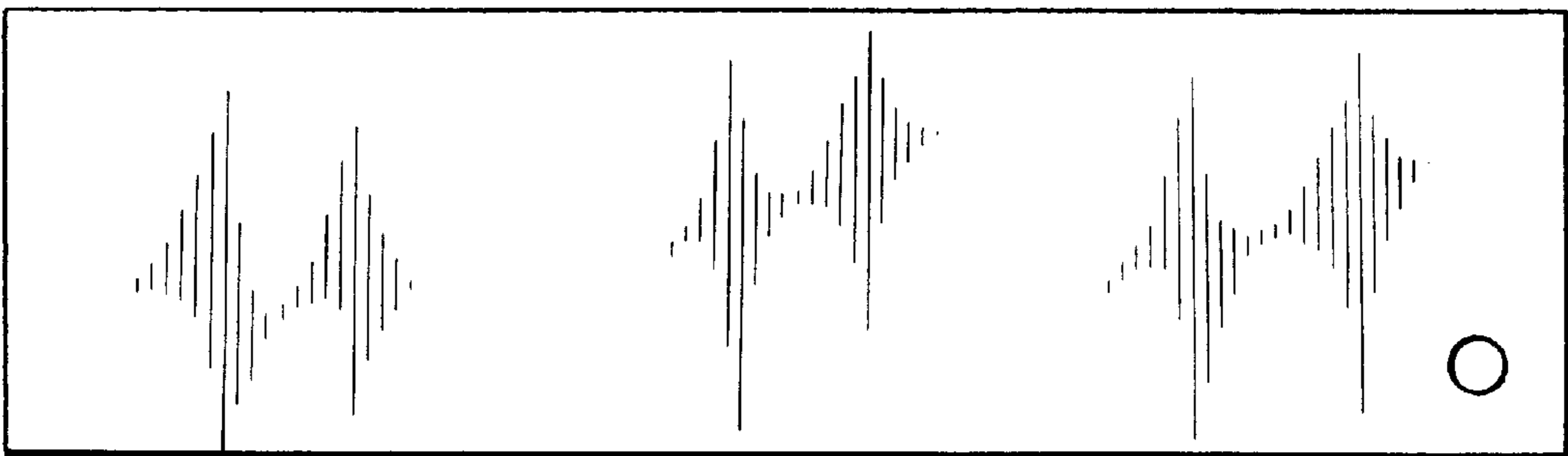


FIG. 7

