



US00D446507B1

(12) **United States Design Patent**
Rosen et al.

(10) **Patent No.:** **US D446,507 S**

(45) **Date of Patent:** **** Aug. 14, 2001**

(54) **CEILING-MOUNTED MONITOR**

(75) Inventors: **John B. Rosen; Steven A. Mayer;**
Paul R. Ellis, all of Eugene, OR (US)

(73) Assignee: **Rosen Products LLC**, Eugene, OR
(US)

(**) Term: **14 Years**

(21) Appl. No.: **29/106,709**

(22) Filed: **Jun. 18, 1999**

(51) **LOC (7) Cl.** **14-03**

(52) **U.S. Cl.** **D14/132**

(58) **Field of Search** D14/126-134,
D14/371, 374, 375, 451; D12/345, 415-418;
312/7.2; 348/148, 825, 827, 836-838, 840,
794, 739; 296/37.5, 37.7, 37.8; 224/311,
539; 248/917-924

(56) **References Cited**

U.S. PATENT DOCUMENTS

D. 285,684 9/1986 Akita et al. D14/148
D. 293,579 1/1988 Davis D14/375

(List continued on next page.)

FOREIGN PATENT DOCUMENTS

3820510 12/1989 (DE) .
41 18 711 12/1992 (DE) .
131 988 1/1985 (EP) .
365 290 4/1990 (EP) .
2 544 675 4/1983 (FR) .
60-51087 3/1985 (JP) .
60-51088 3/1985 (JP) .
60-203526 10/1985 (JP) .
61-77542 4/1986 (JP) .
61-282139 12/1986 (JP) .
62-231847 10/1987 (JP) .
63-219440 9/1988 (JP) .
1-300775 12/1989 (JP) .
2-7082 1/1990 (JP) .

(List continued on next page.)

OTHER PUBLICATIONS

“TV for Cars”, Soviero, *Popular Science*, pp. 88-89, Dec. 1990.

Primary Examiner—Ted Shooman

Assistant Examiner—C Tuttle

(74) *Attorney, Agent, or Firm*—Kolisch, Hartwell,
Dickinson, McCormack & Heuser

(57) **CLAIM**

The ornamental design for a ceiling-mounted monitor, as shown and described.

DESCRIPTION

FIG. 1 is an isometric view showing our new design for a ceiling mounted monitor from the bottom, rear and right side, the monitor's display being shown in a stowed orientation and the ceiling being indicated by dashed lines as environment;

FIG. 2 is an isometric view showing the design from the bottom, front and left side and with the display shown in a deployed orientation;

FIG. 3 is a front view thereof;

FIG. 4 is a rear view thereof;

FIG. 5 is a right-side view thereof;

FIG. 6 is a left-side view thereof;

FIG. 7 is a bottom view thereof;

FIG. 8 is an isometric view showing a second embodiment of our design from the bottom, rear and right side, the monitor's display being shown in a stowed orientation with monitor environment in dashed lines;

FIG. 9 is an isometric view showing the second embodiment of the design from the bottom, front and left side and with the display shown in a deployed orientation;

FIG. 10 is a front view thereof;

FIG. 11 is a rear view thereof;

FIG. 12 is a right-side view thereof;

FIG. 13 is a left-side view thereof; and,

FIG. 14 is a bottom view thereof.

The broken lines showing the ceiling in FIG. 1 and top outline in FIGS. 8-13 are for illustrative purposes only and form no part of the claimed design.

1 Claim, 8 Drawing Sheets

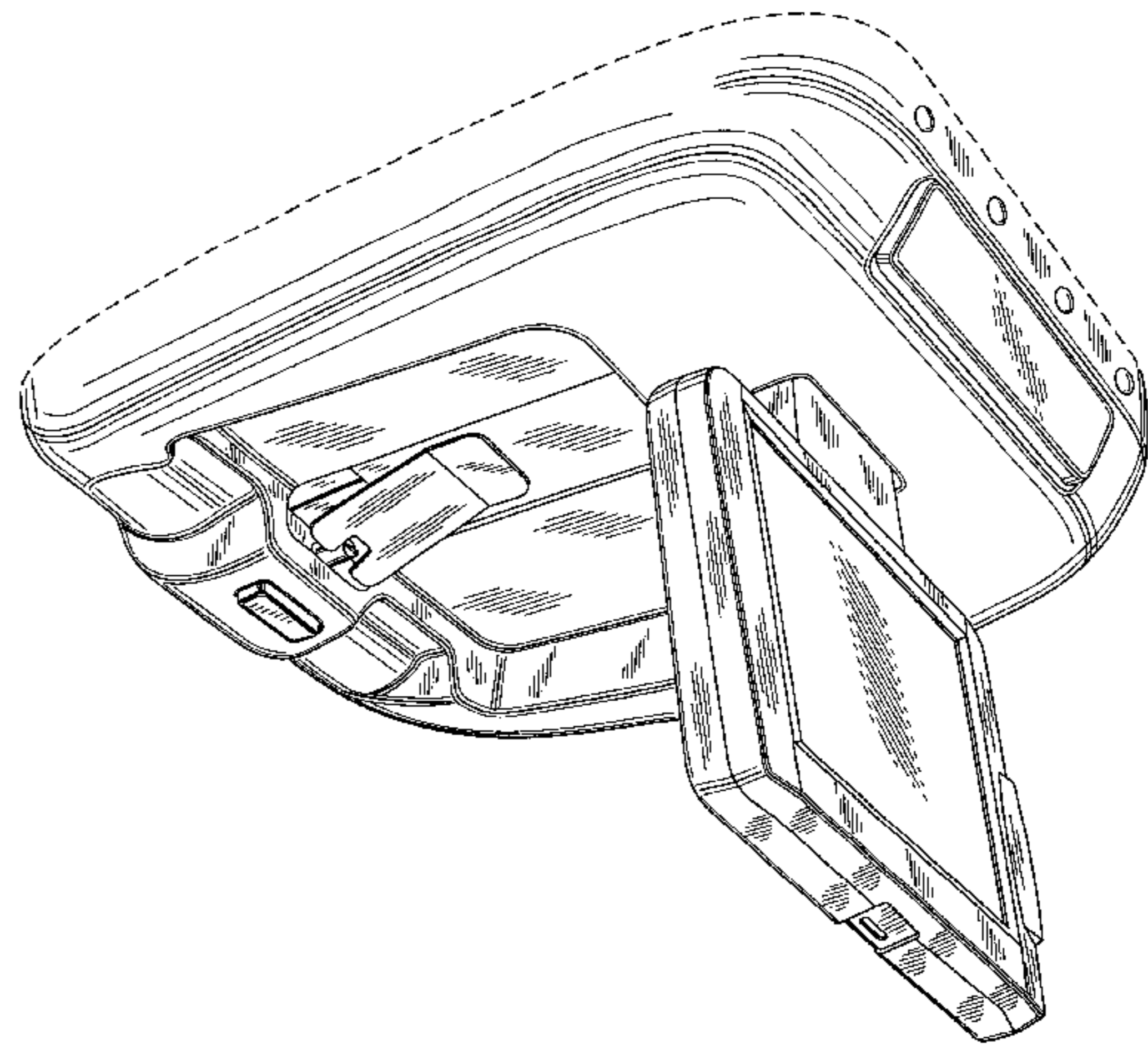
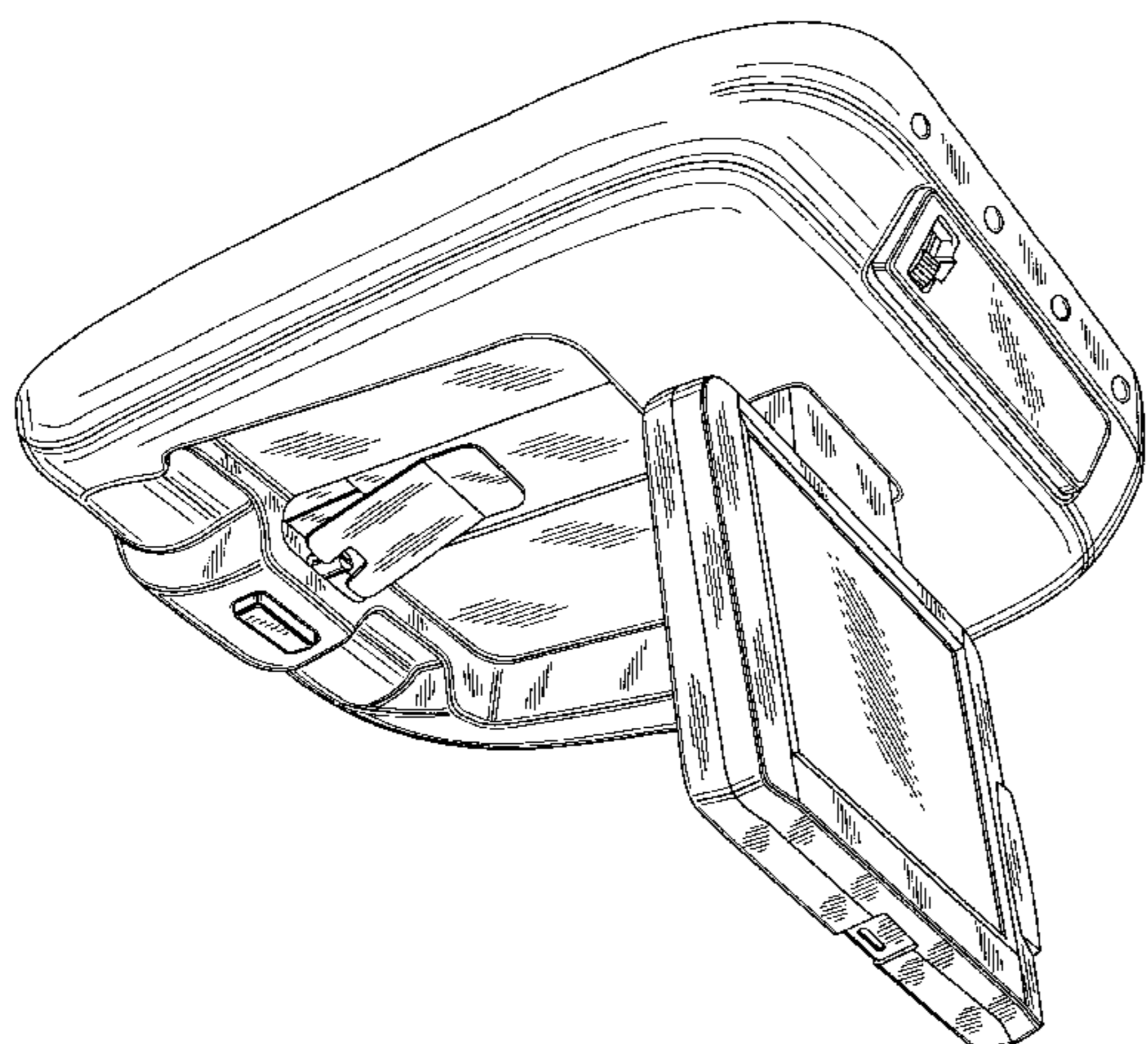


FIG. 1

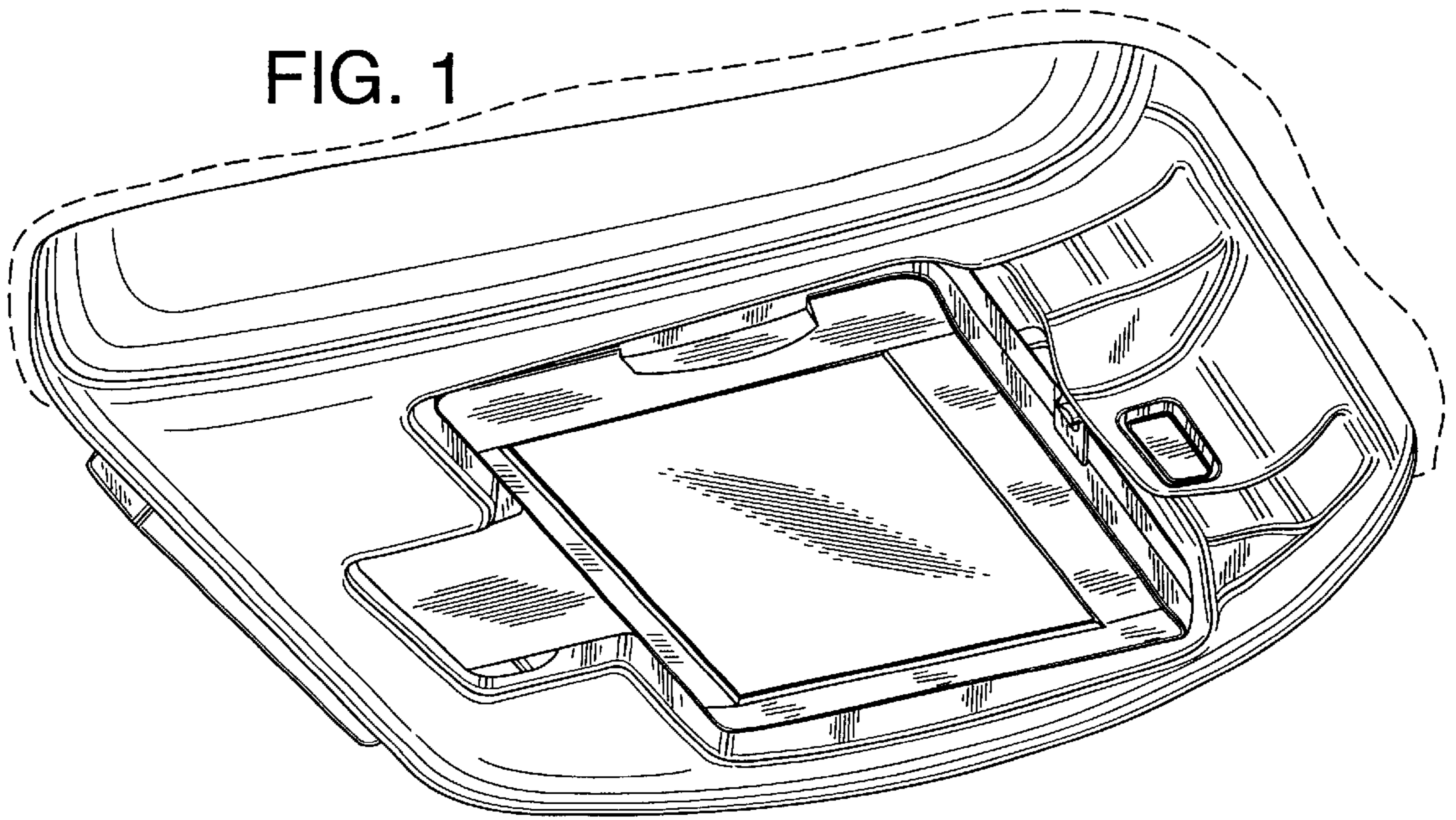
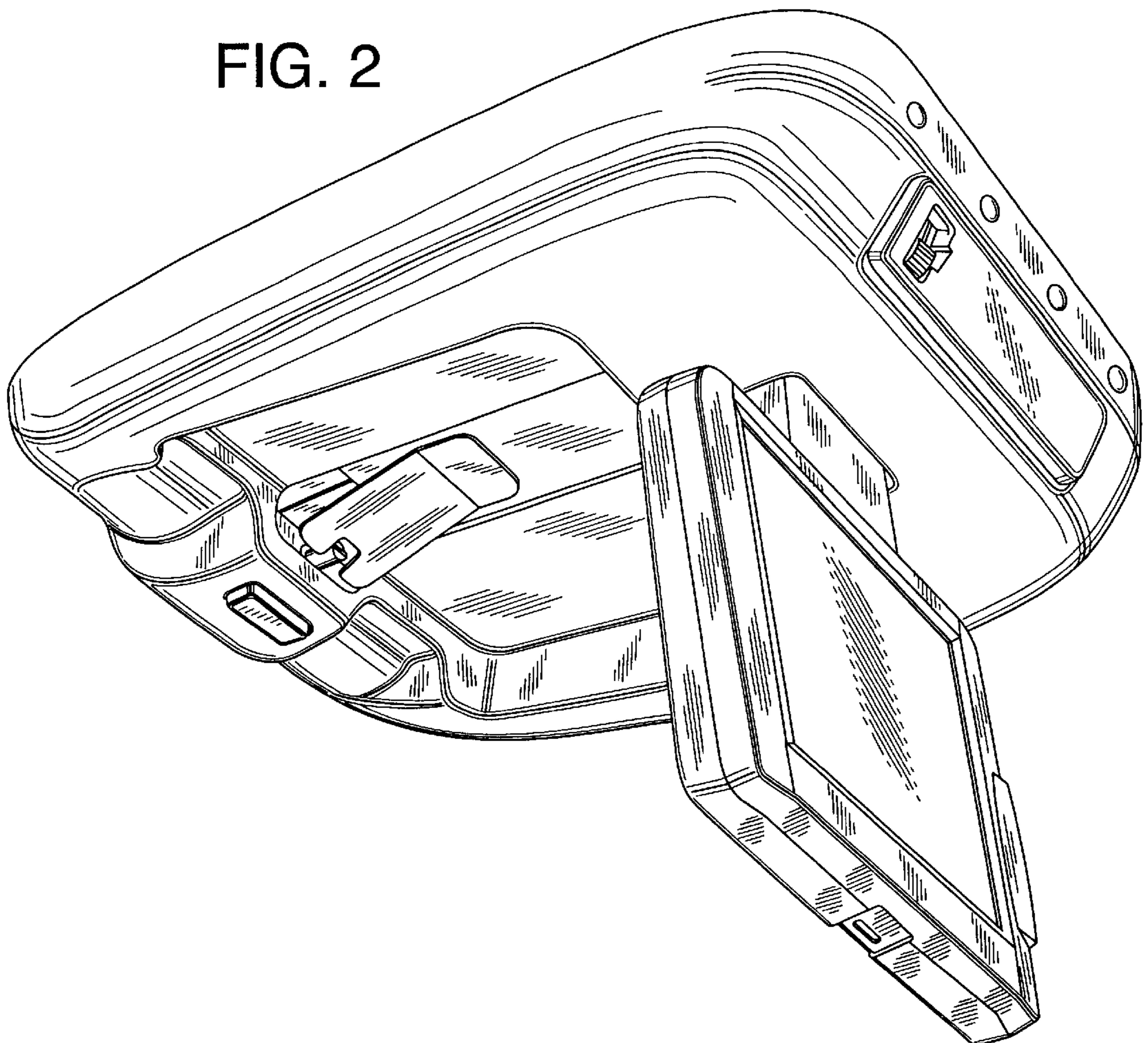


FIG. 2



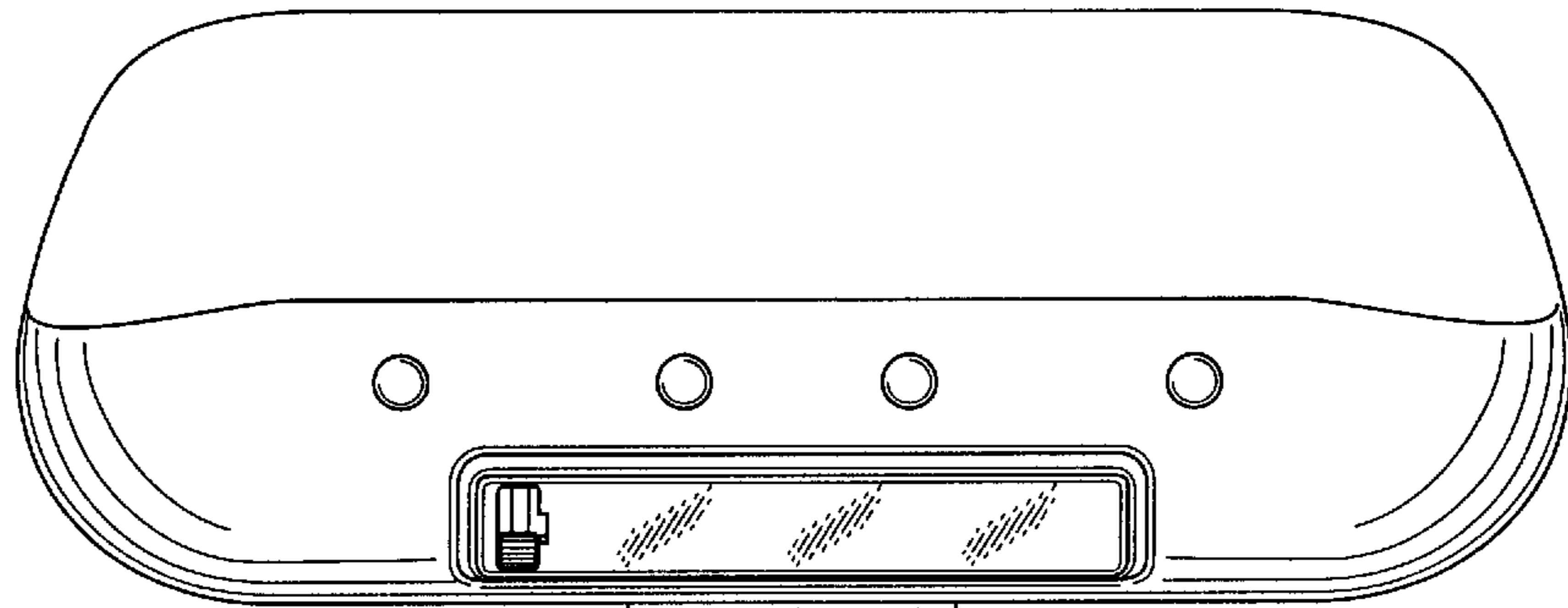


FIG. 3

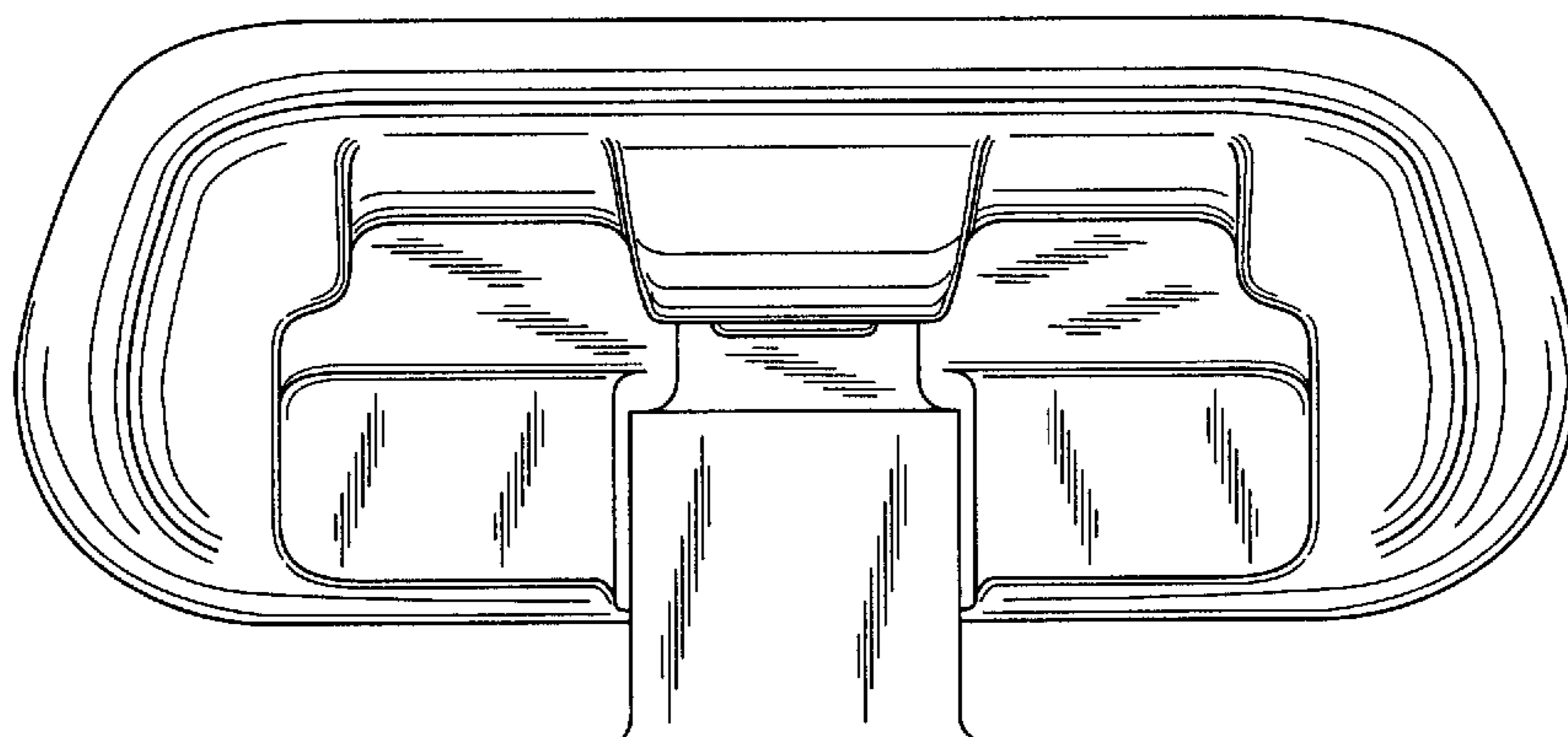
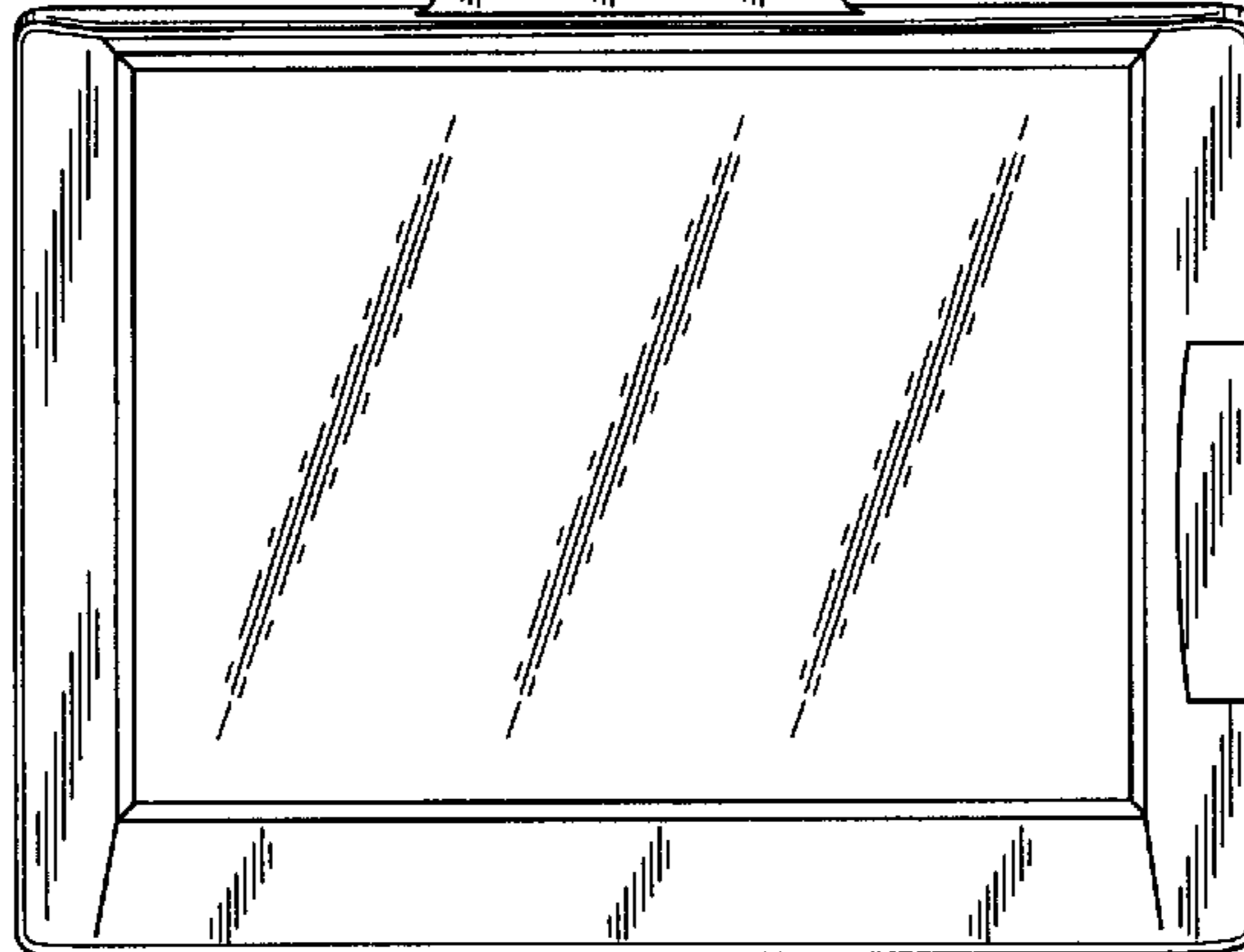


FIG. 4

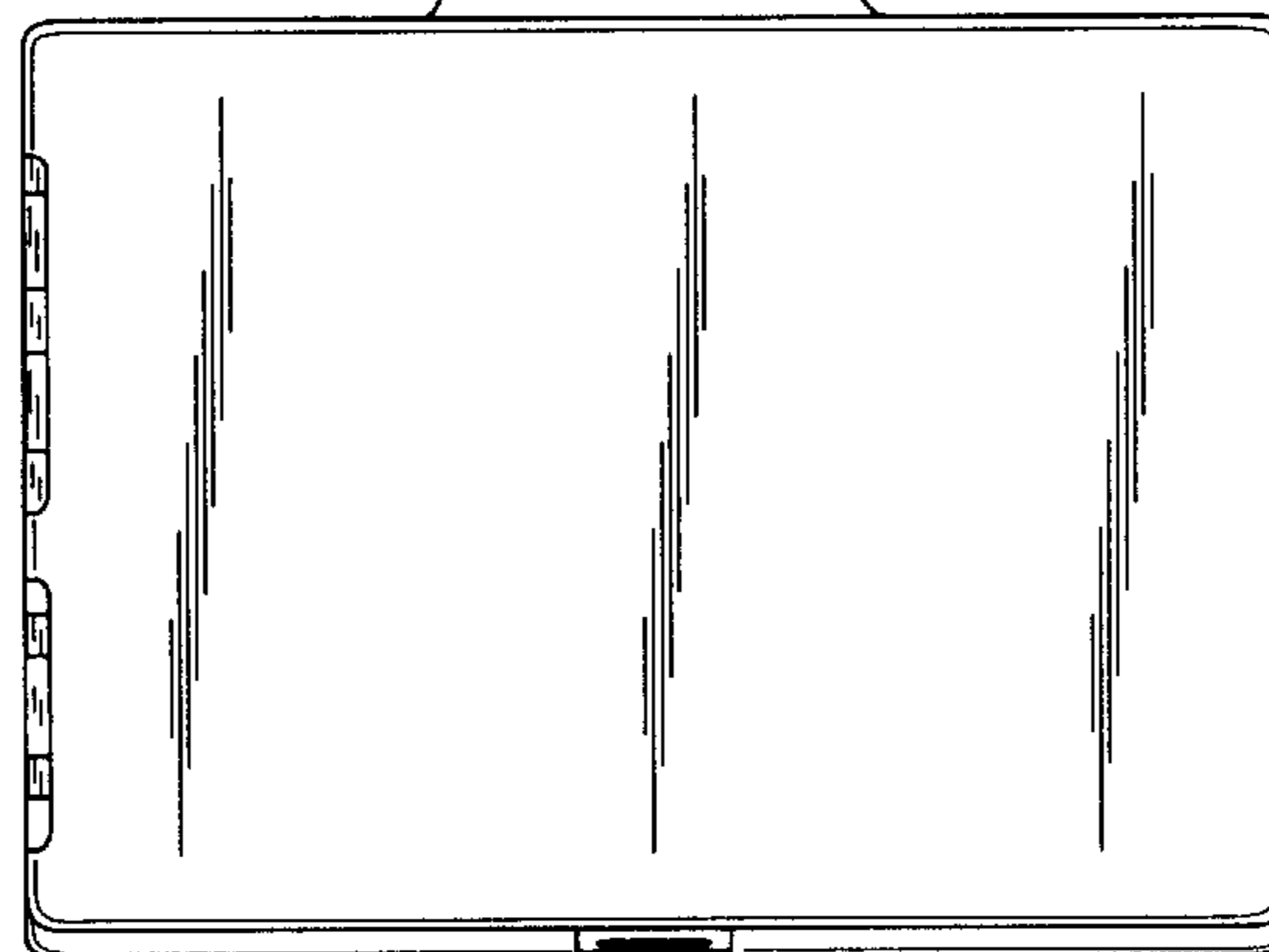


FIG. 5

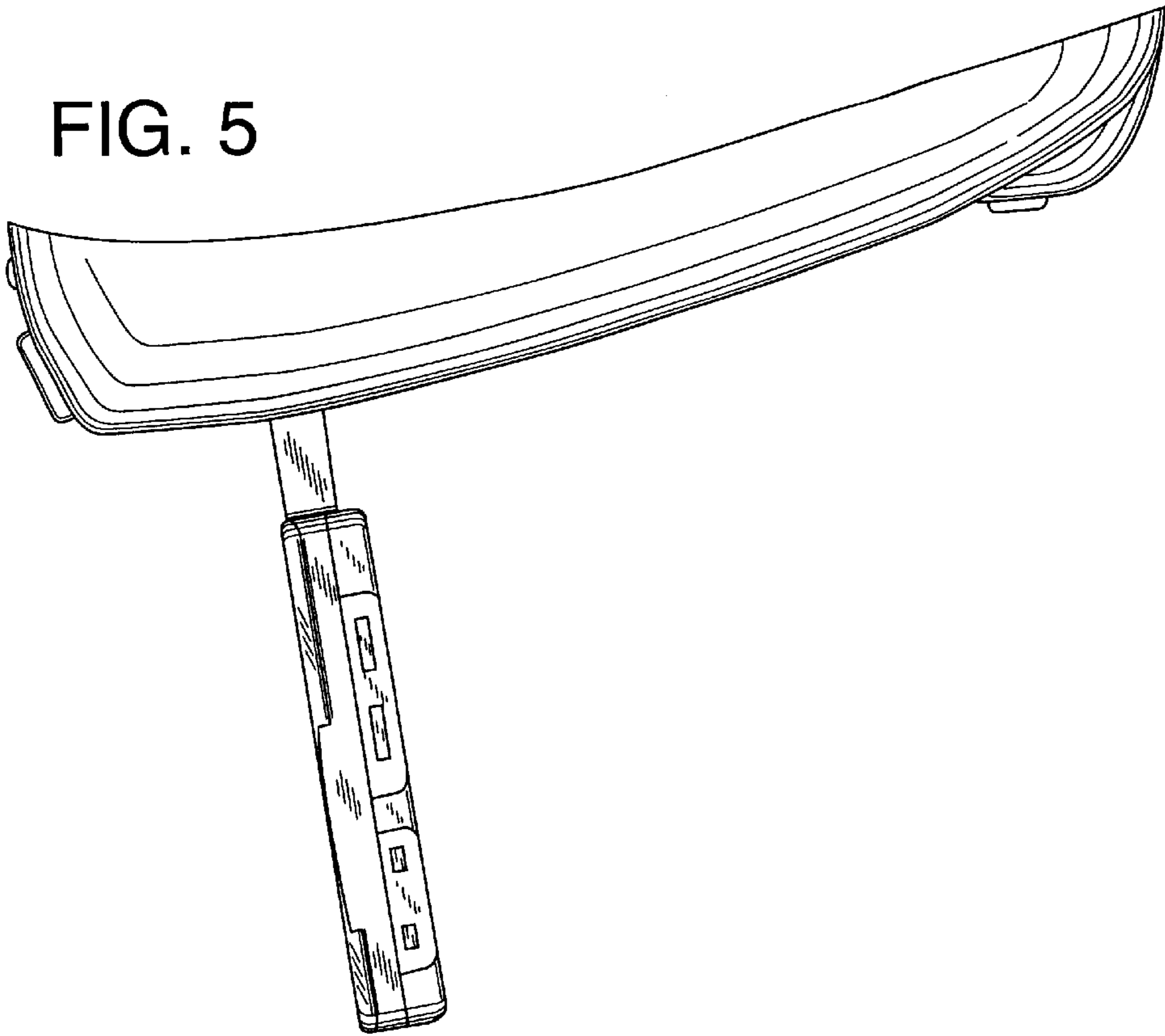


FIG. 6

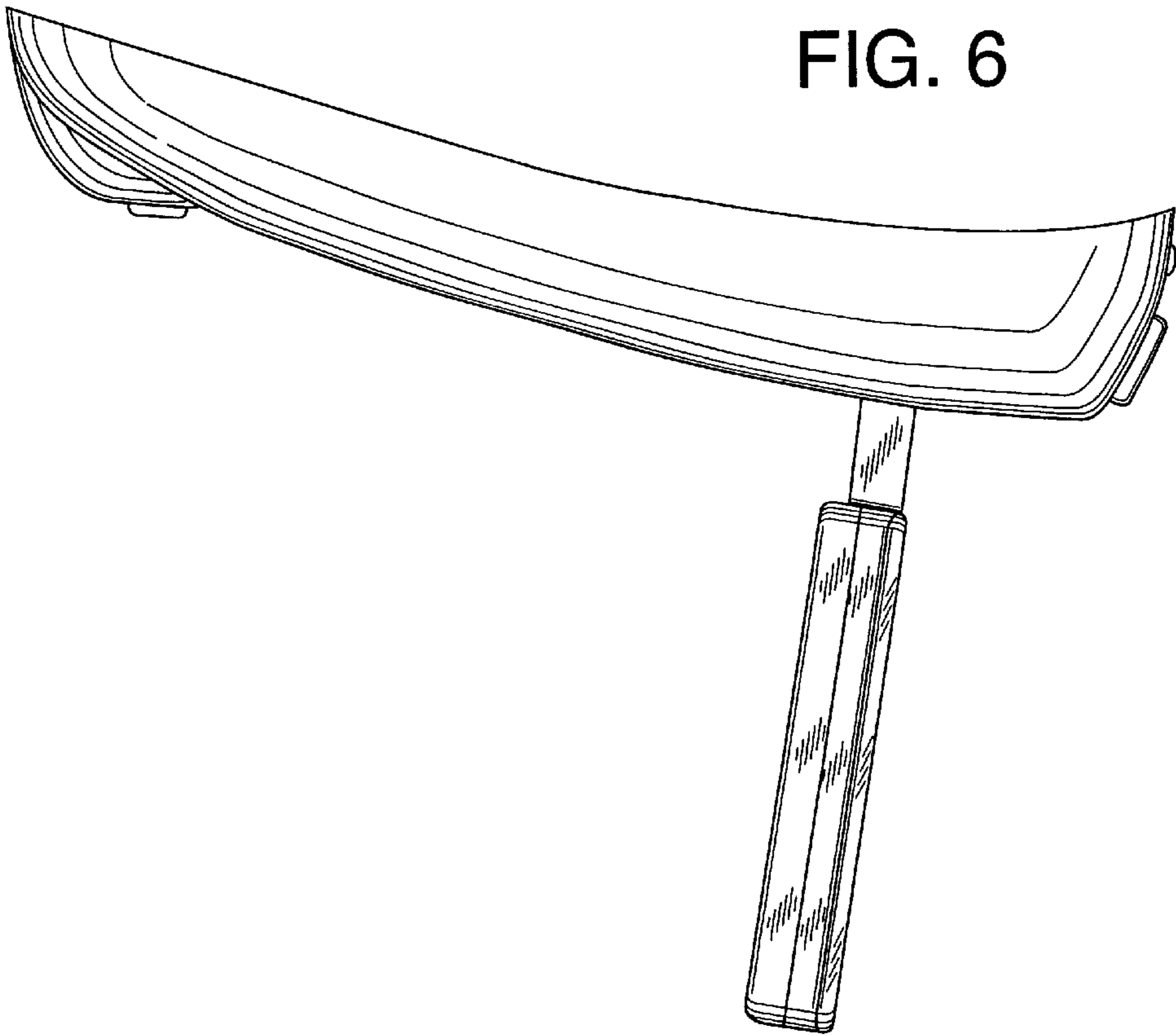


FIG. 7

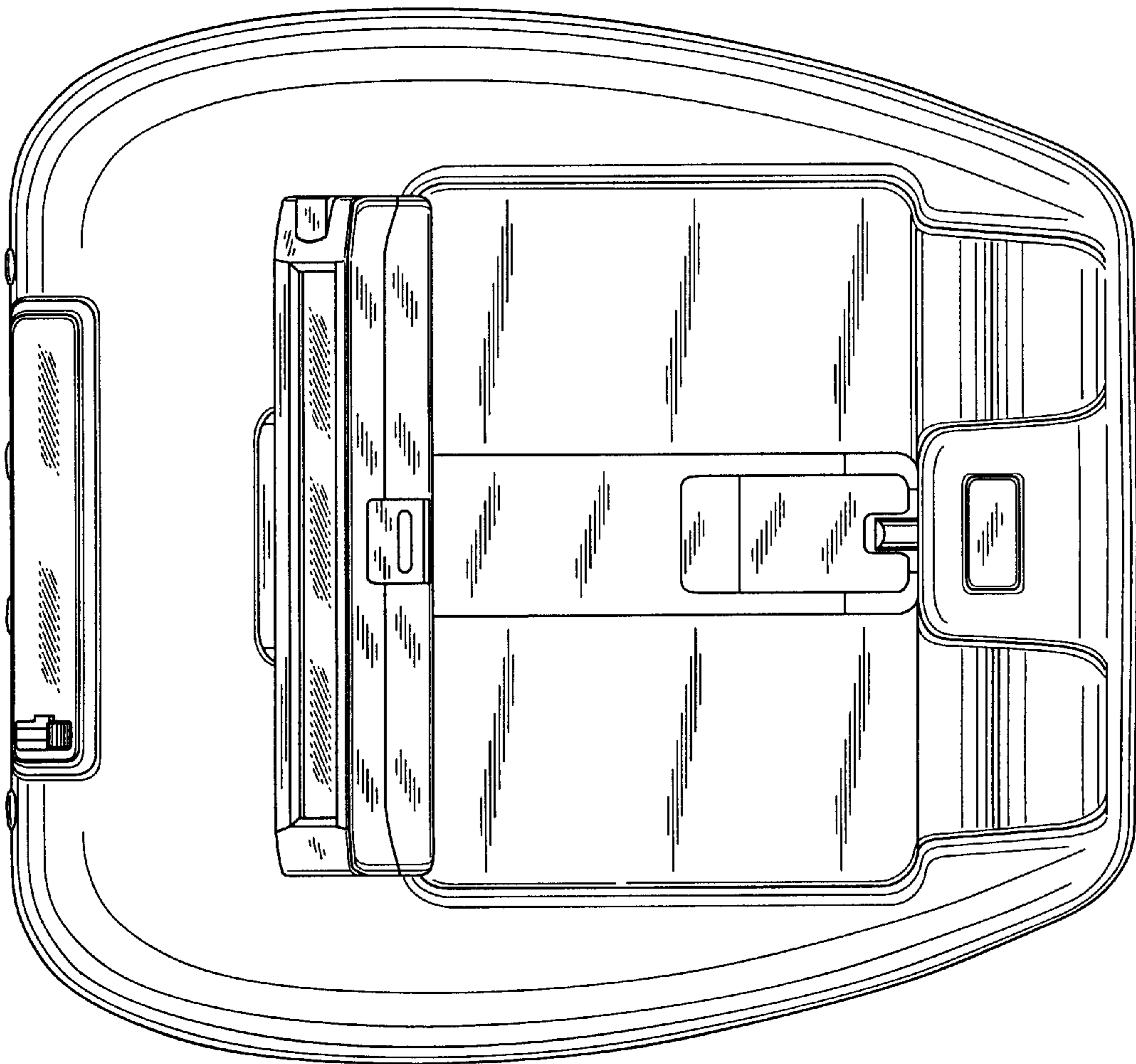


FIG. 8

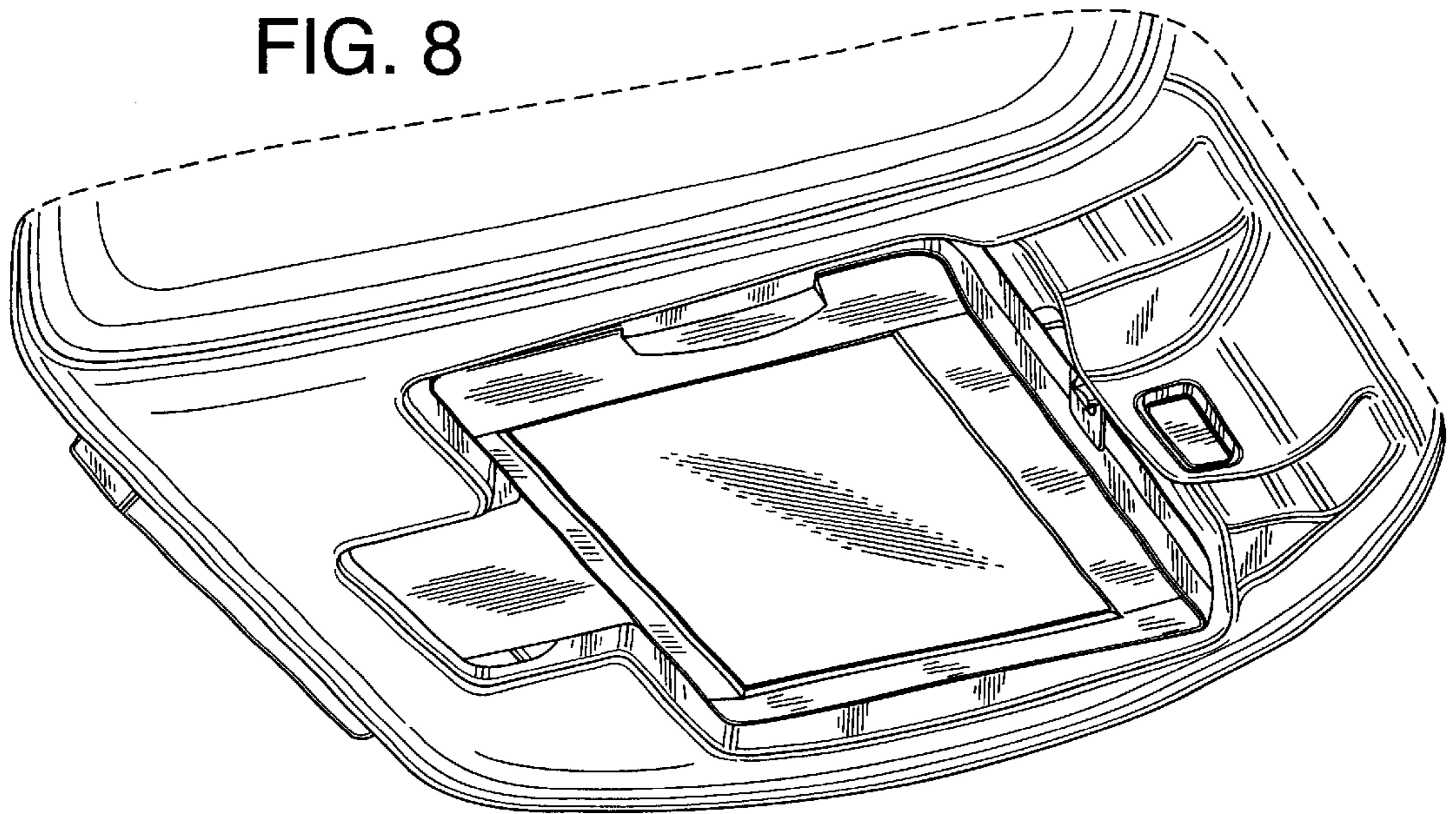
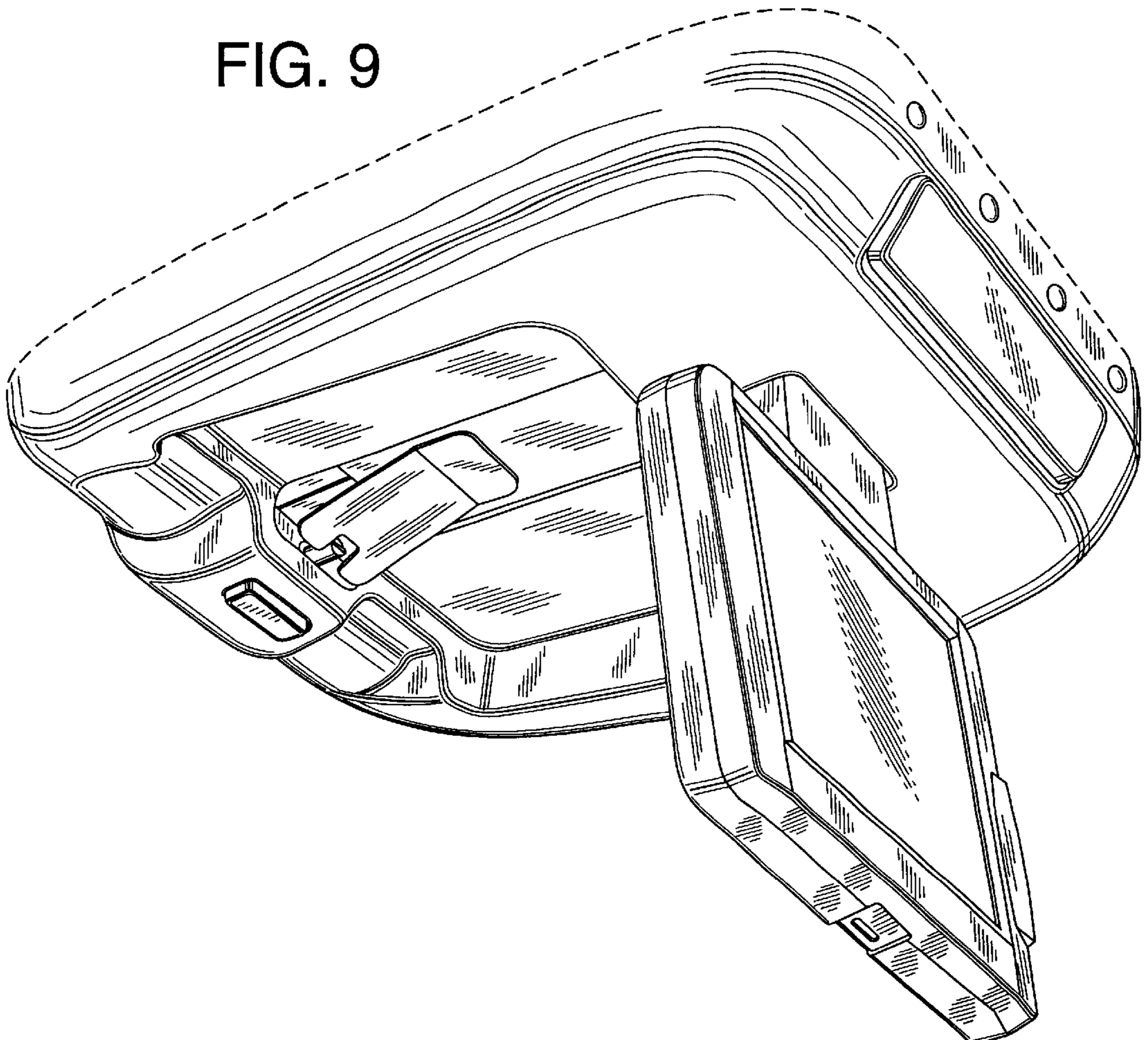


FIG. 9



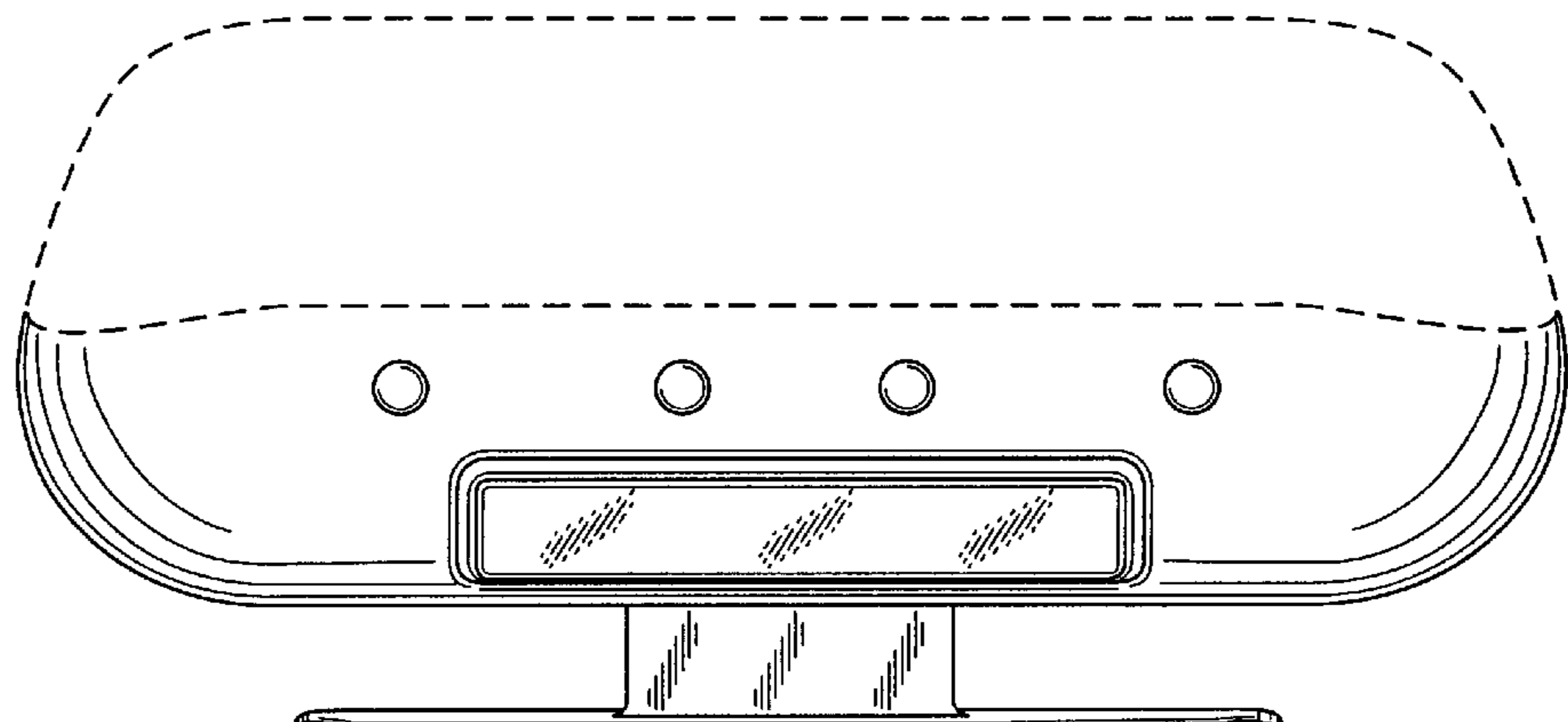


FIG. 10

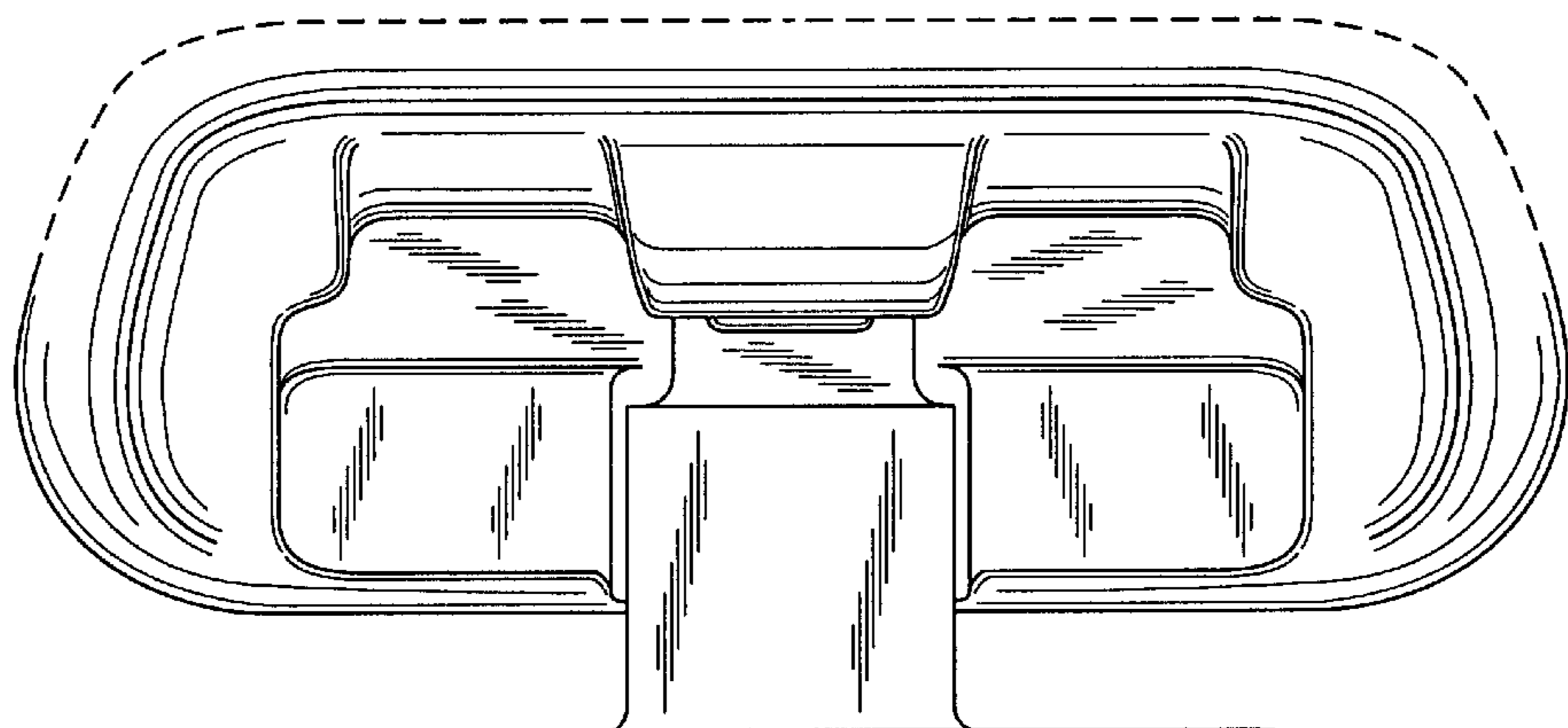
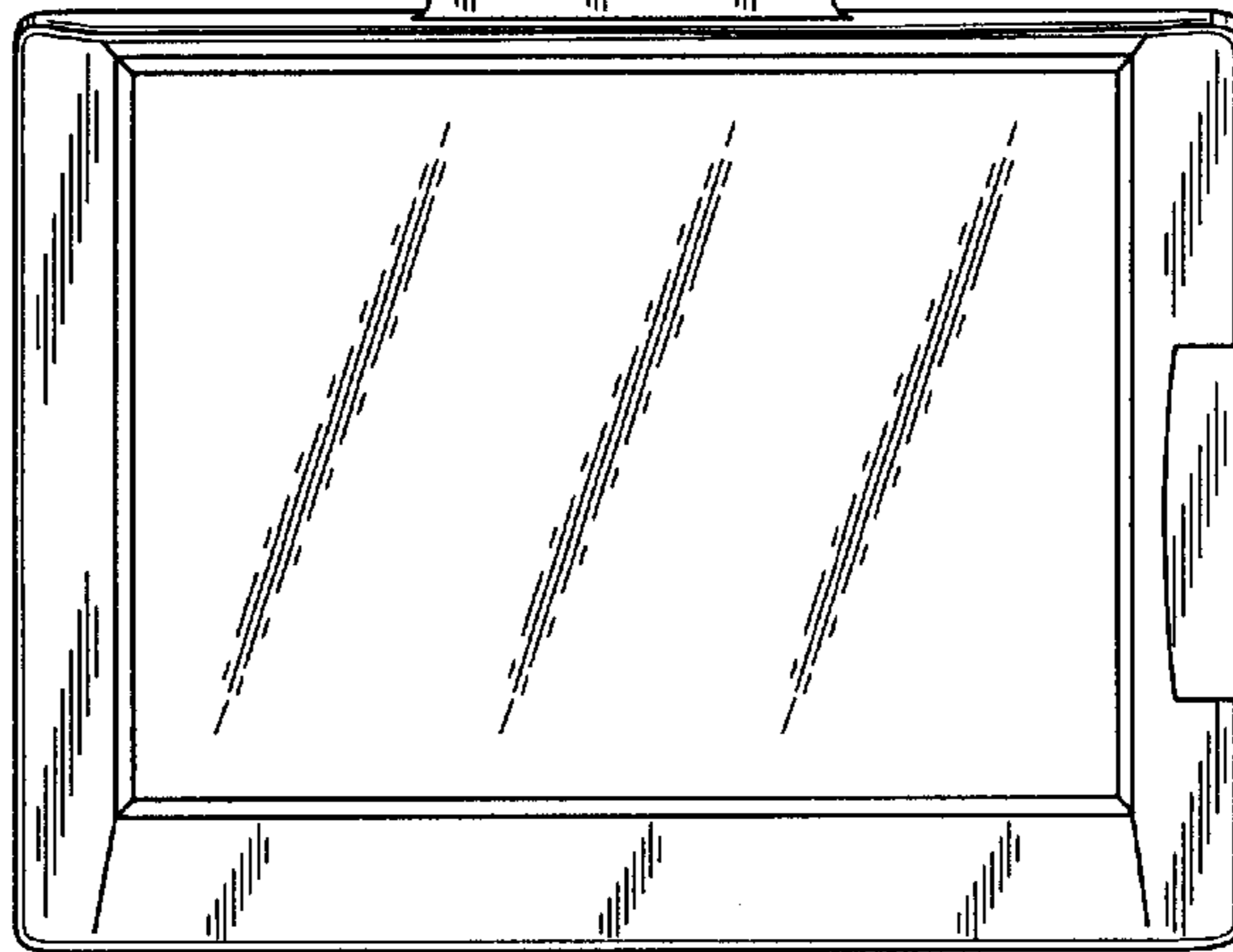


FIG. 11



FIG. 12

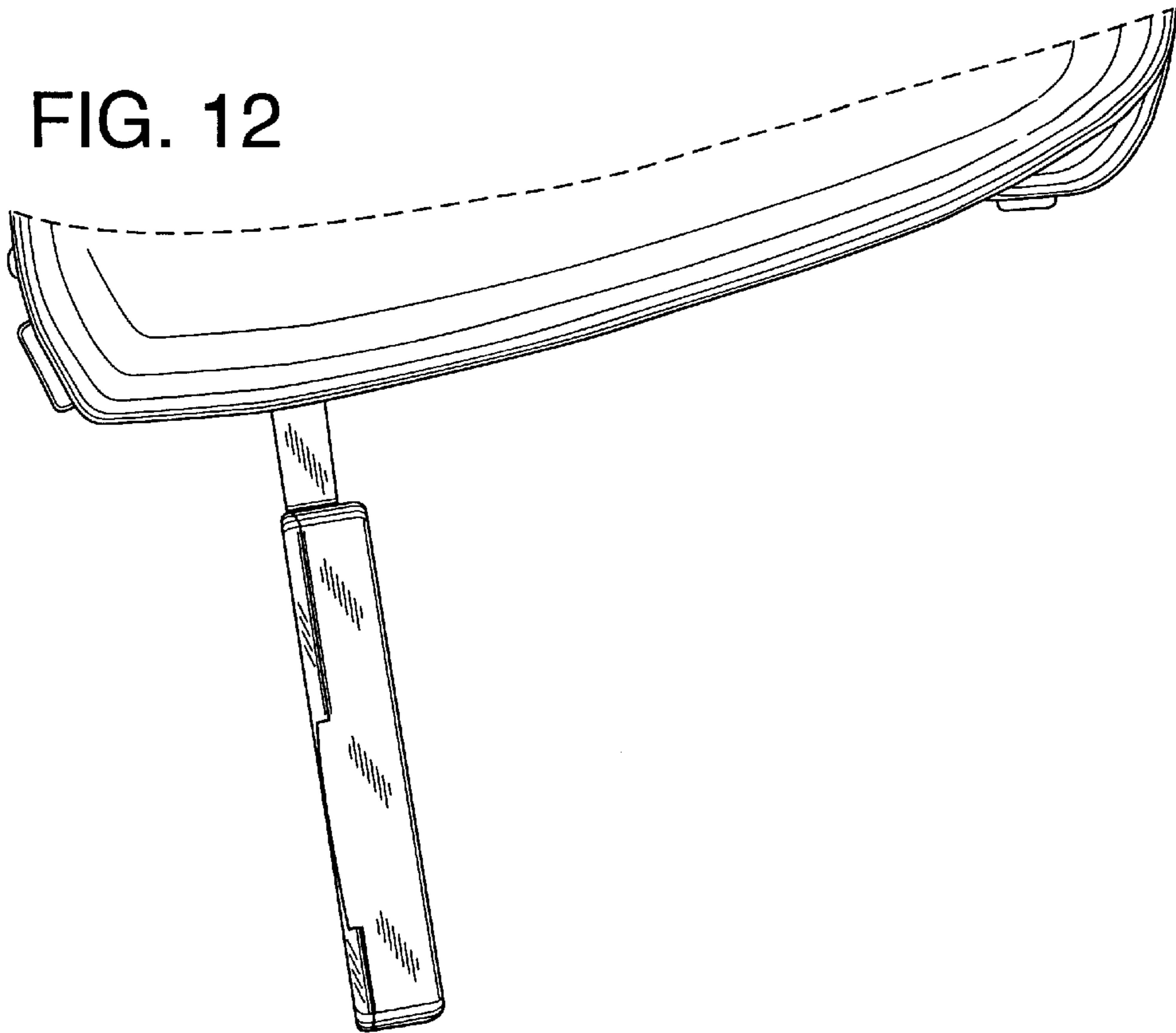


FIG. 13

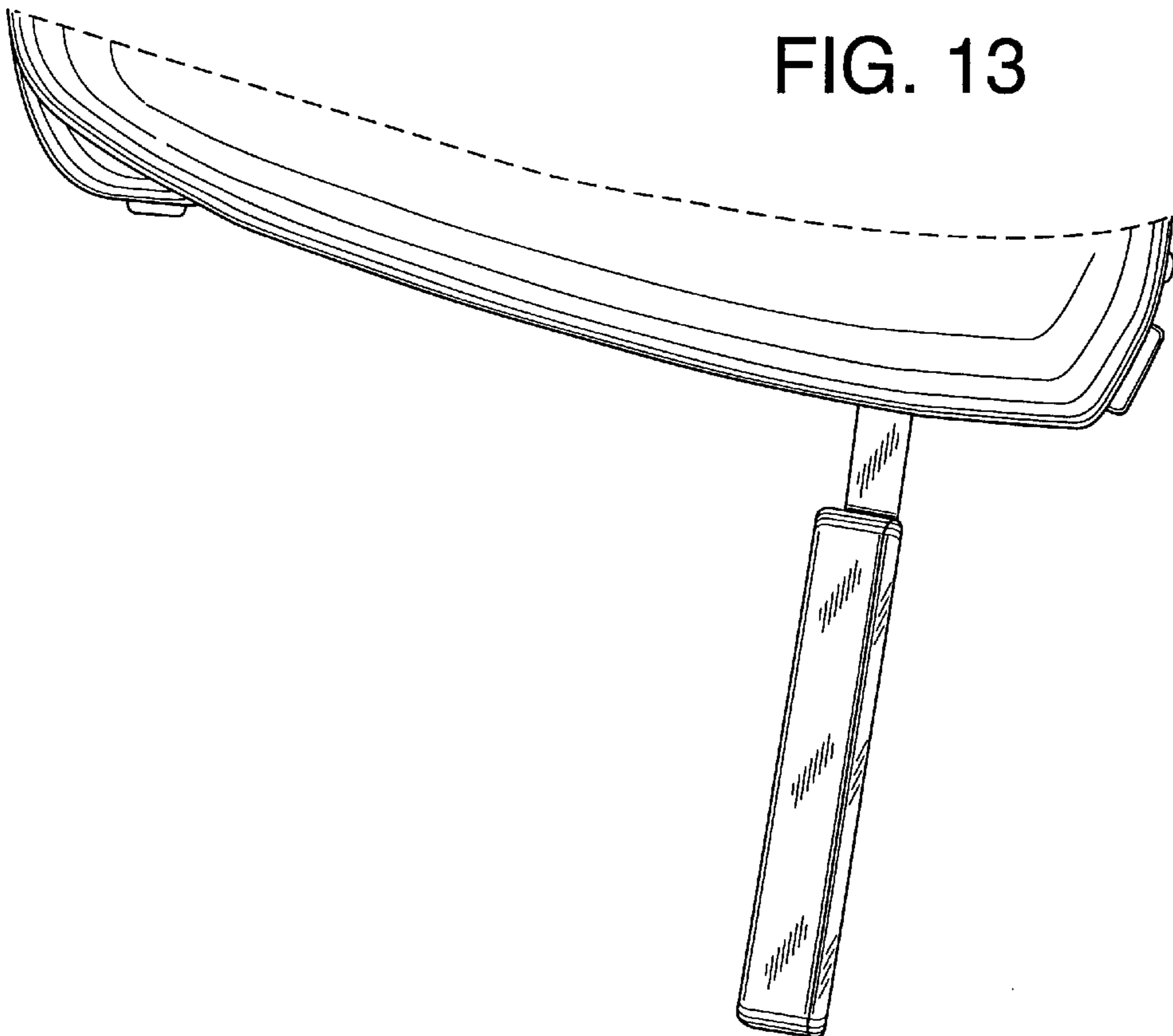


FIG. 14

