



US00D446504B1

(12) **United States Design Patent**
Lee

(10) **Patent No.:** **US D446,504 S**

(45) **Date of Patent:** **** Aug. 14, 2001**

(54) **POWERLINE CONDITIONER**

(75) Inventor: **Kendrew Lee**, Fremont, CA (US)

(73) Assignee: **Monster Cable Products, Inc.**,
Brisbane, CA (US)

(**) Term: **14 Years**

(21) Appl. No.: **29/135,115**

(22) Filed: **Jan. 5, 2001**

(51) **LOC (7) Cl.** **13-03**

(52) **U.S. Cl.** **D13/139.8**

(58) **Field of Search** D13/139.2, 139.6-139.8;
439/107, 501, 502, 142, 650, 651, 652,
653, 654, 954

(56) **References Cited**

U.S. PATENT DOCUMENTS

- D. 306,012 * 2/1990 Oesterheld et al. D13/139.8
- D. 370,458 * 6/1996 Fladung et al. D13/139.8
- 5,899,761 * 5/1999 Crane et al. 429/142

* cited by examiner

Primary Examiner—Susan J. Lucas

Assistant Examiner—Jennifer Rivard

(74) *Attorney, Agent, or Firm*—LaRiviere, Grubman & Payne, LLP

(57) **CLAIM**

The ornamental design for a powerline conditioner, as shown and described.

DESCRIPTION

A portion of the disclosure of this patent document contains material which is subject to copyright protection. The copyright owner has no objection to the facsimile reproduction by anyone of the patent document or the patent disclosure, as it appears in the U.S. Patent and Trademark Office patent

files or records, but reserves all copyright rights whatsoever. FIG. 1 is a perspective view of a first embodiment of a powerline conditioner, in accordance with the present invention.

FIG. 2 is a plan view of a first embodiment of a powerline conditioner, in accordance with the present invention.

FIG. 3 is an underside view of a first embodiment of a powerline conditioner, in accordance with the present invention.

FIG. 4 is a side view of a first embodiment of a powerline conditioner, in accordance with the present invention.

FIG. 5 is a corresponding side view of a first embodiment of a powerline conditioner, in accordance with the present invention.

FIG. 6 is a rear view of a first embodiment of a powerline conditioner, in accordance with the present invention.

FIG. 7 is a frontal view of a first embodiment of a powerline conditioner, in accordance with the present invention.

FIG. 8 is a perspective view of a second embodiment of a powerline conditioner, in accordance with the present invention.

FIG. 9 is a plan view of a second embodiment of a powerline conditioner, in accordance with the present invention.

FIG. 10 is an underside view of a second embodiment of a powerline conditioner, in accordance with the present invention.

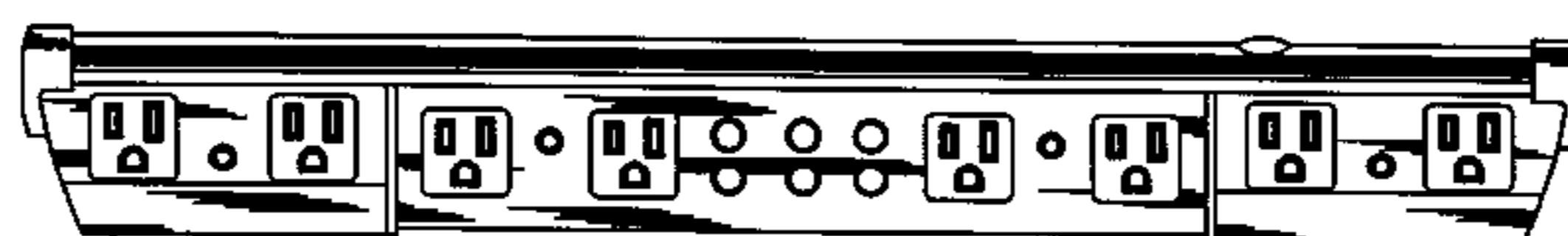
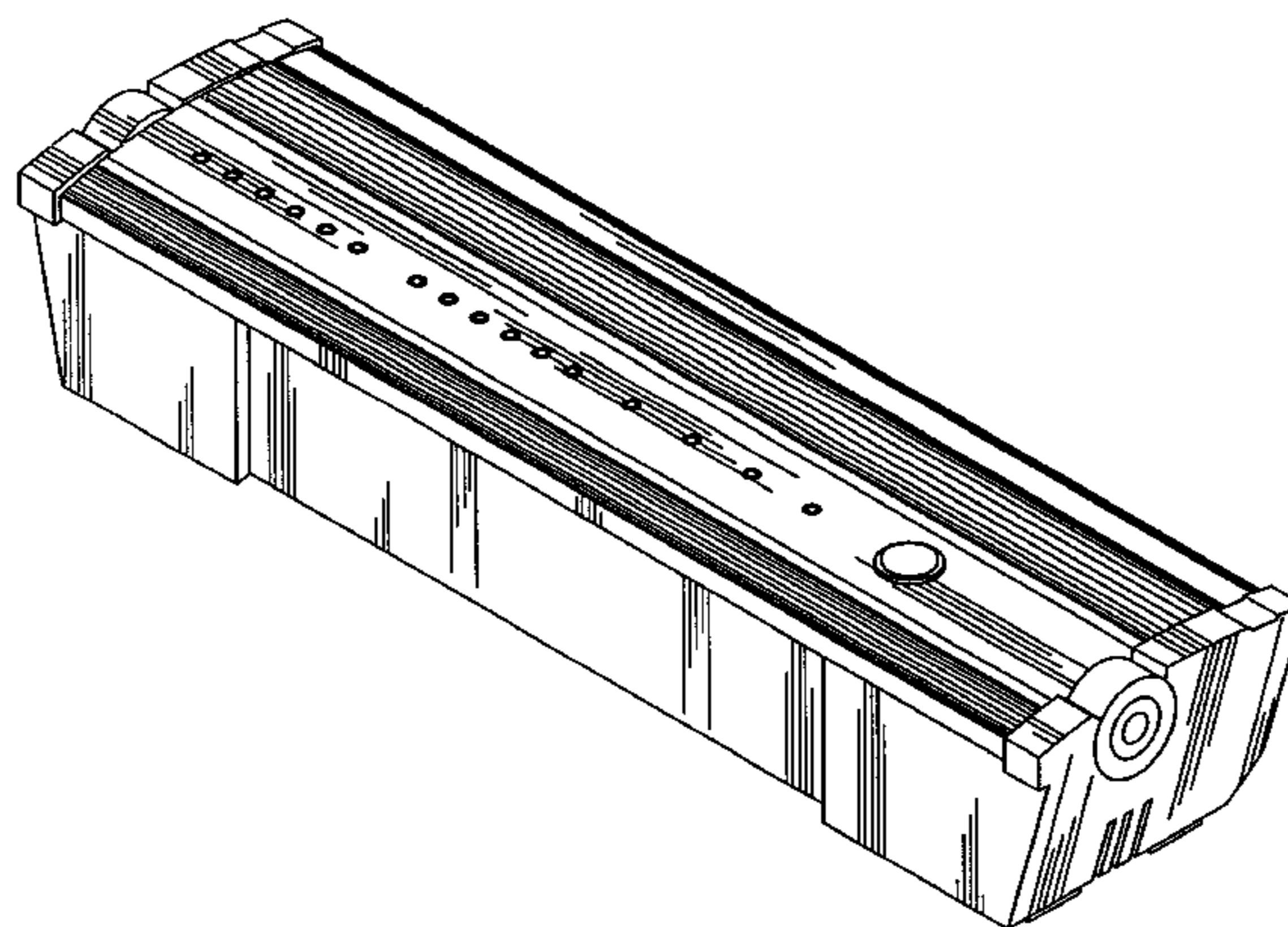
FIG. 11 is a side view of a second embodiment of a powerline conditioner, in accordance with the present invention.

FIG. 12 is a corresponding side view of a second embodiment of a powerline conditioner, in accordance with the present invention.

FIG. 13 is a rear view of a second embodiment of a powerline conditioner, in accordance with the present invention; and,

FIG. 14 is a frontal view of a second embodiment of a powerline conditioner, in accordance with the present invention.

1 Claim, 6 Drawing Sheets



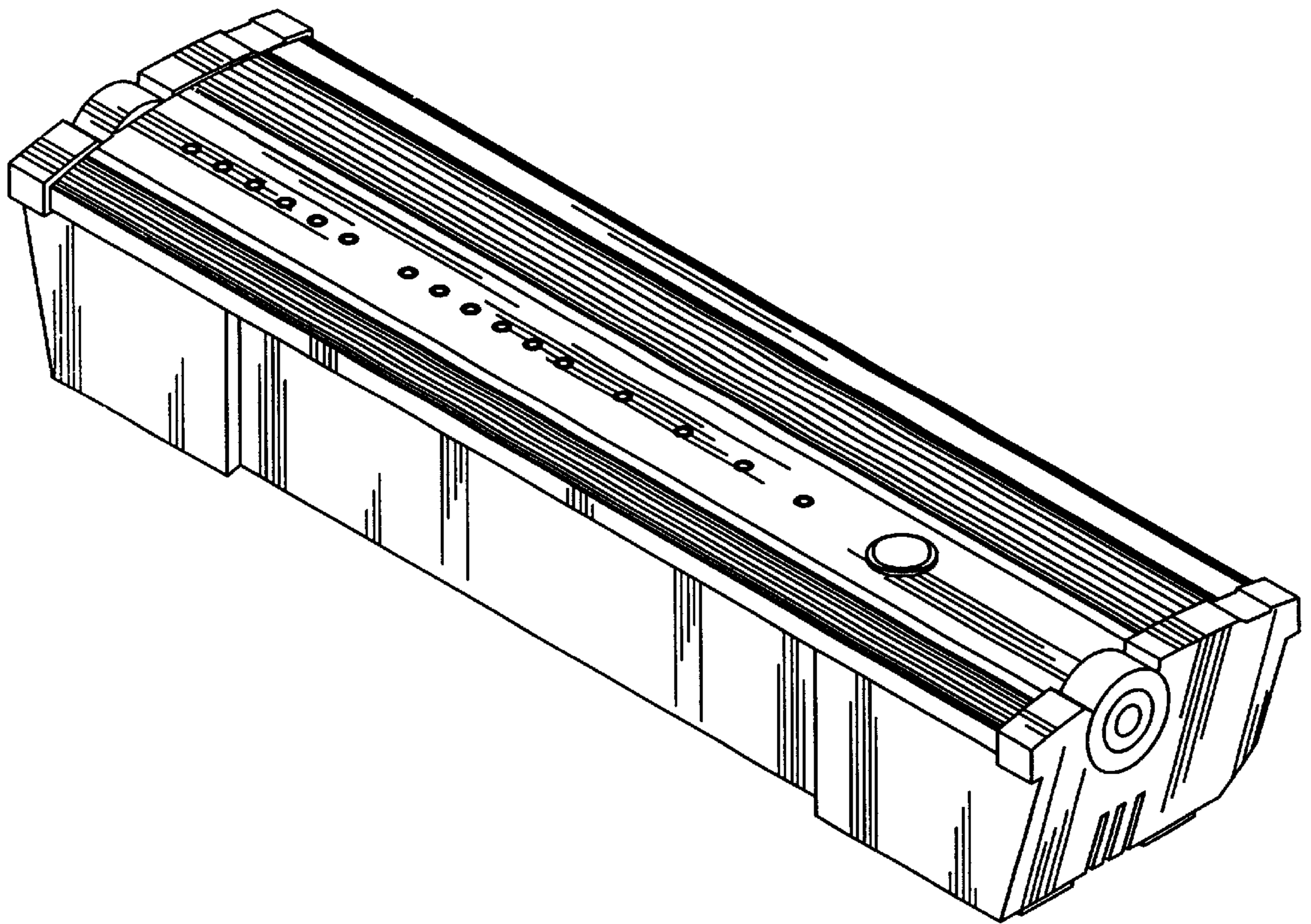


Figure 1

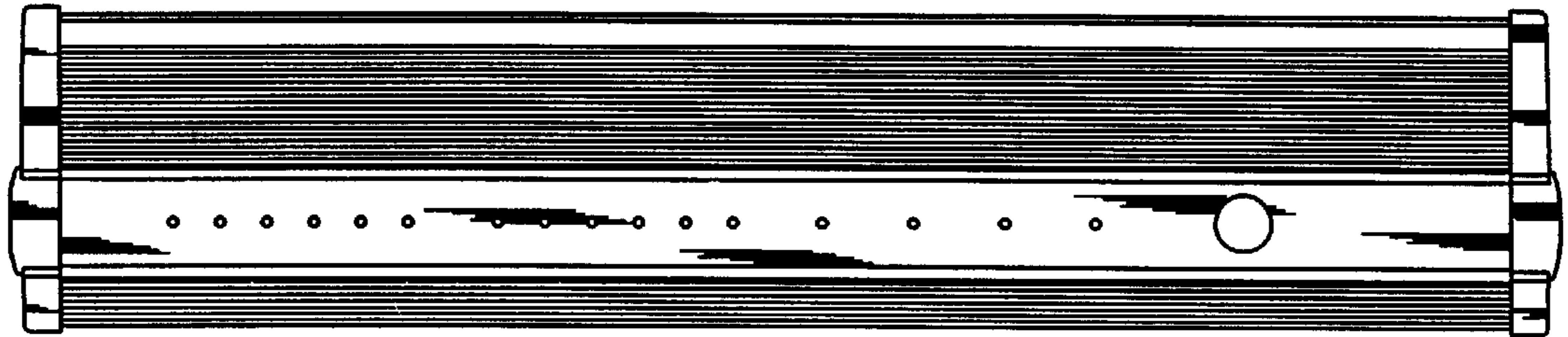


Figure 2

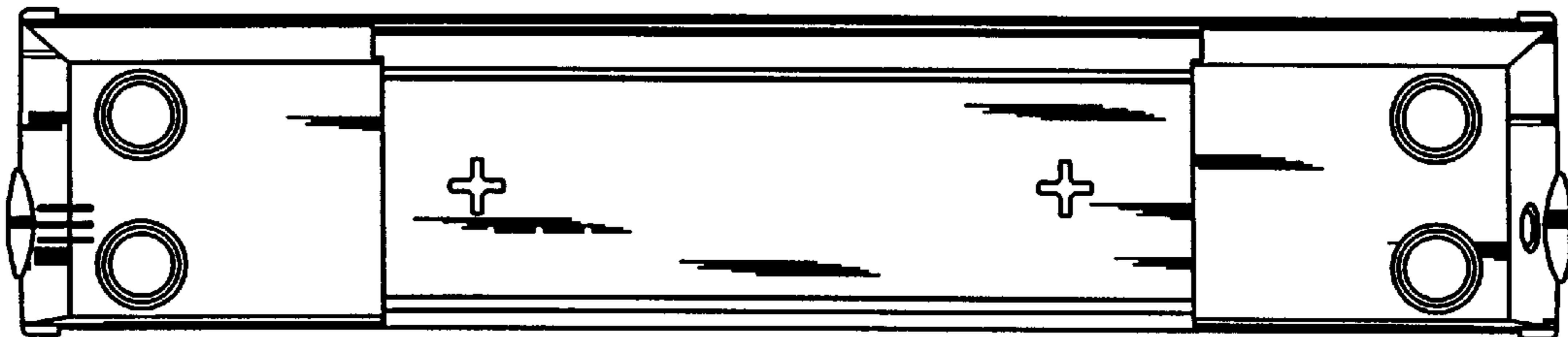


Figure 3

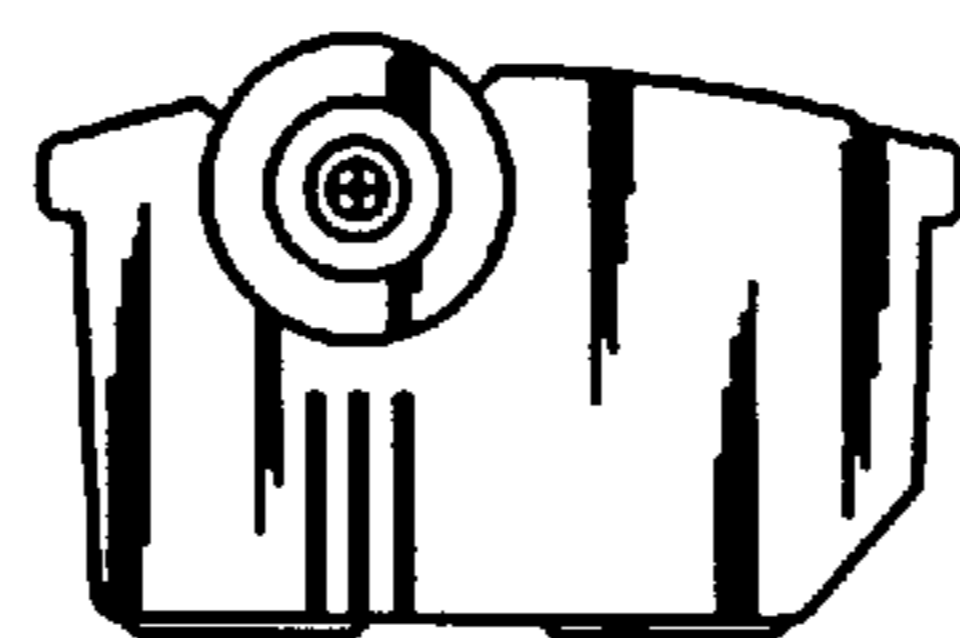


Figure 4

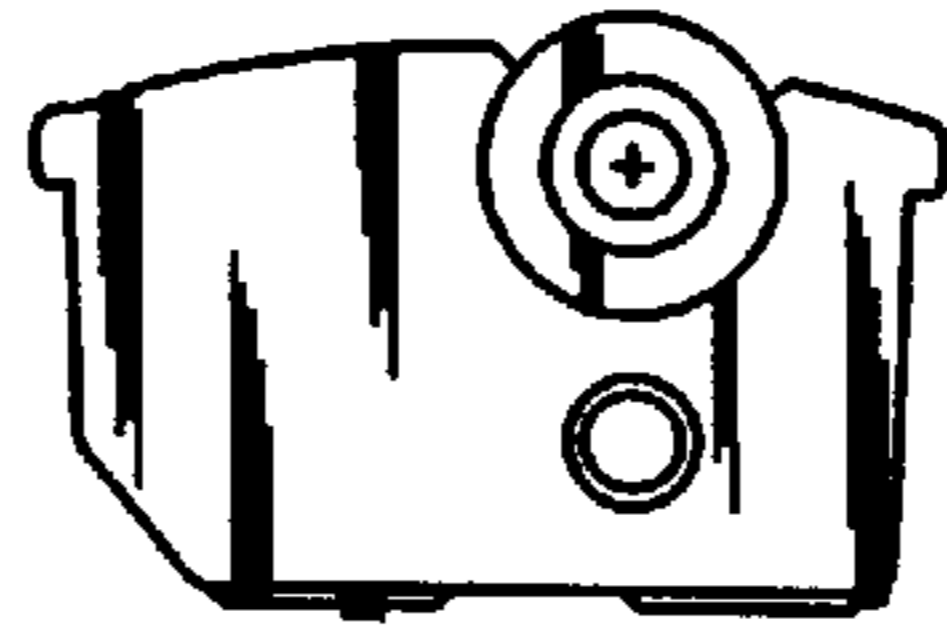


Figure 5

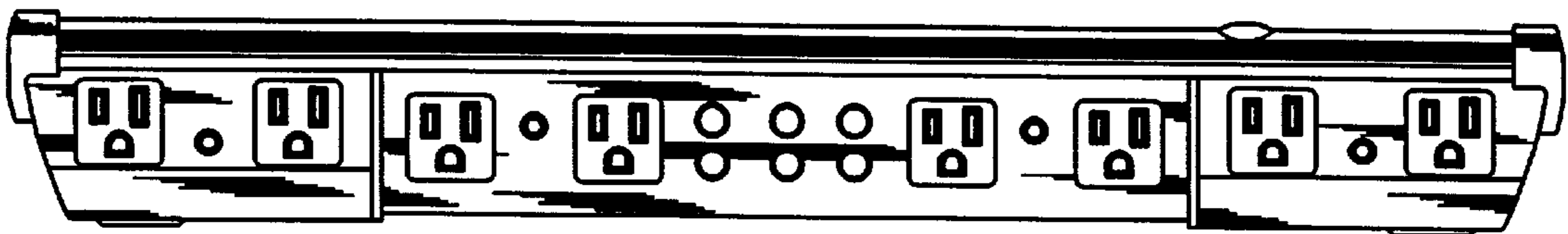


Figure 6

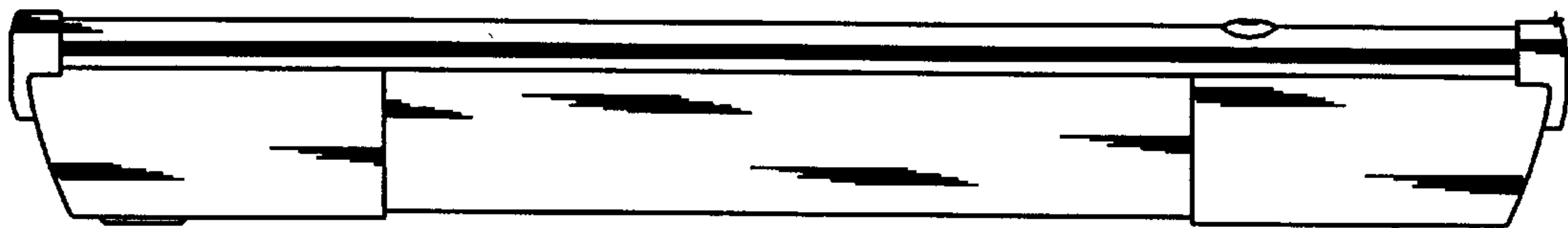


Figure 7

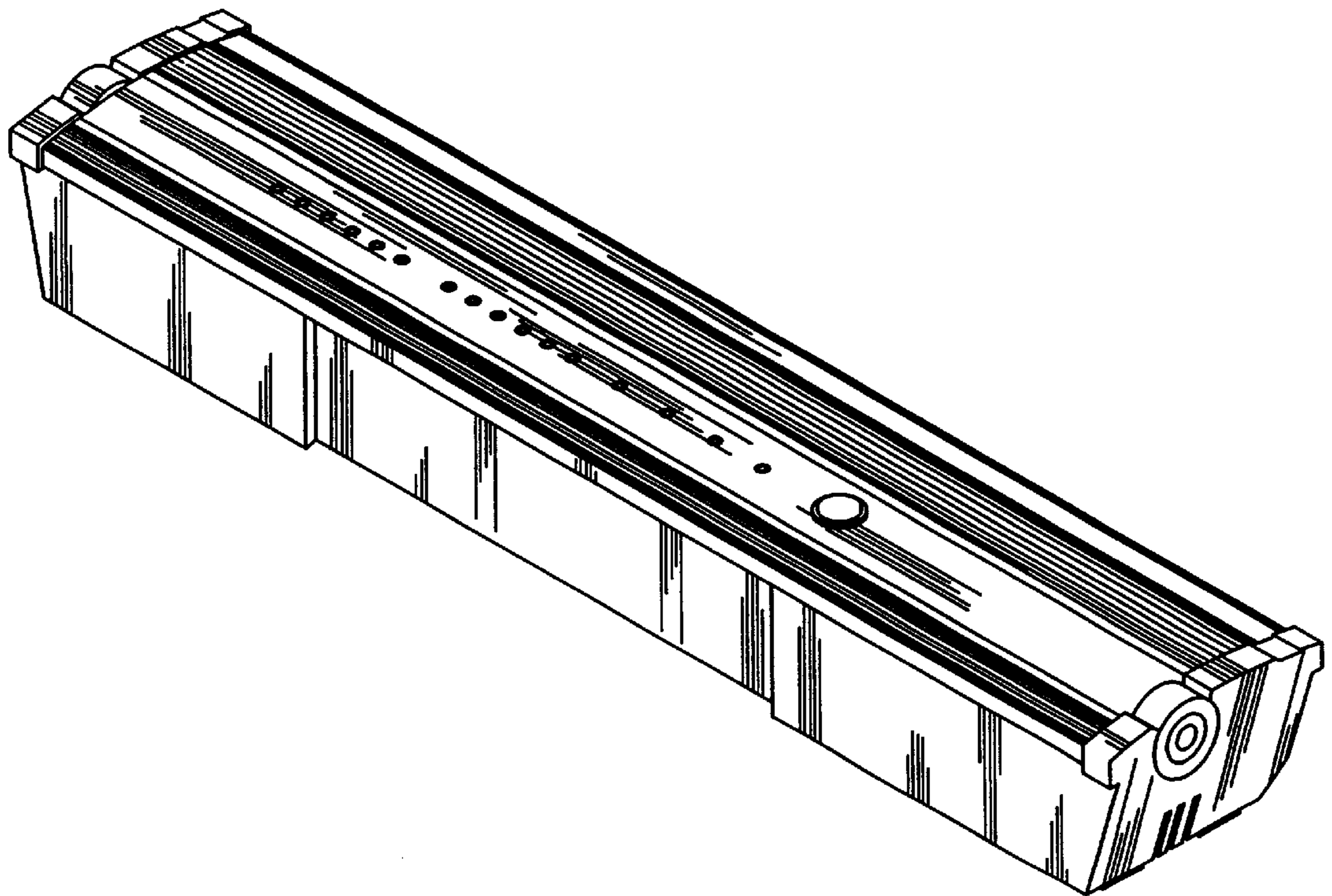


Figure 8

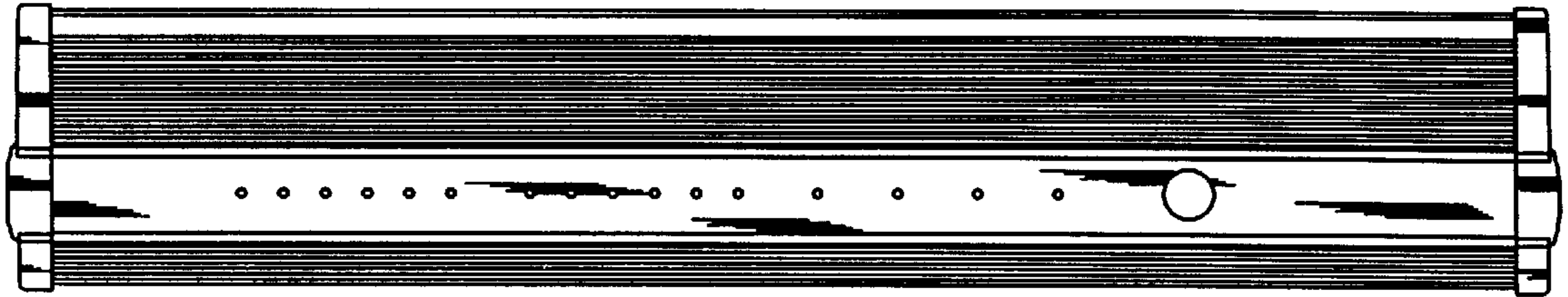


Figure 9

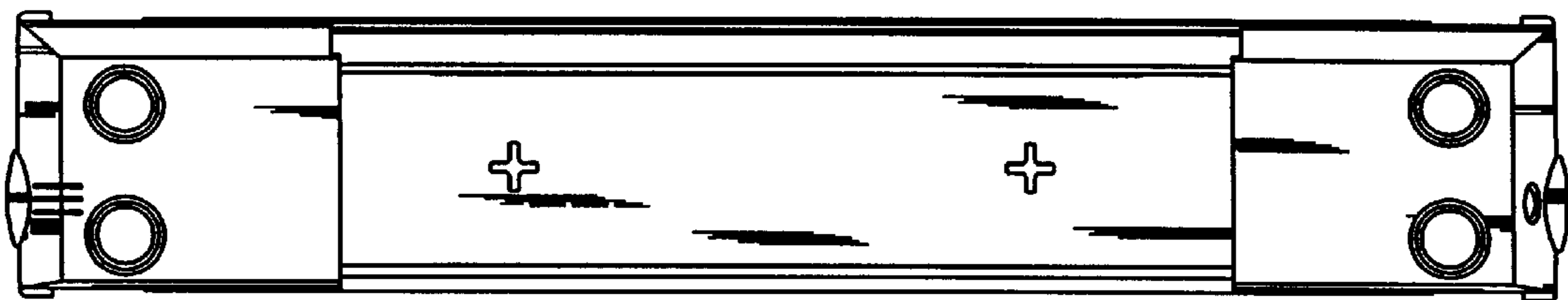


Figure 10

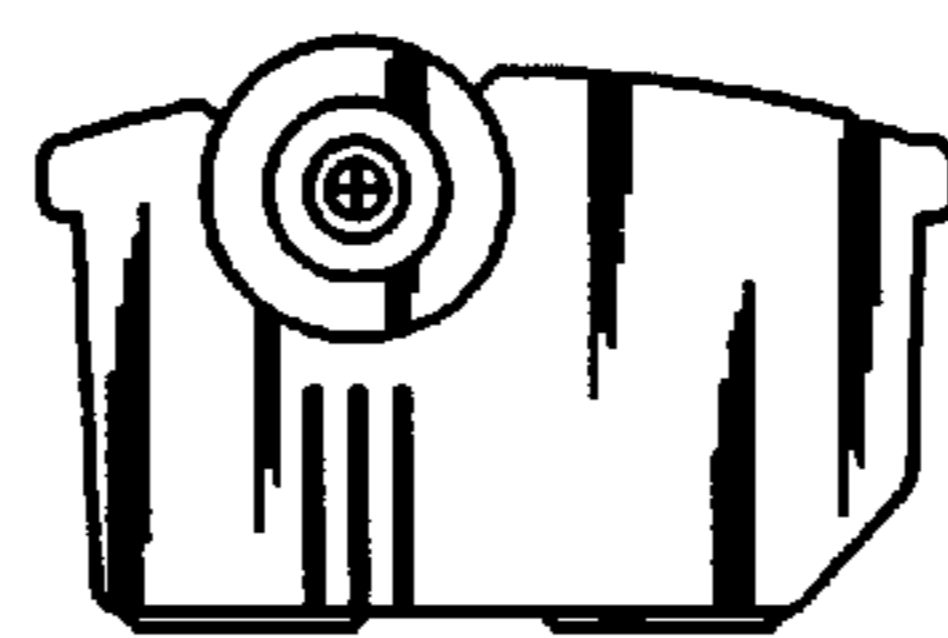


Figure 11

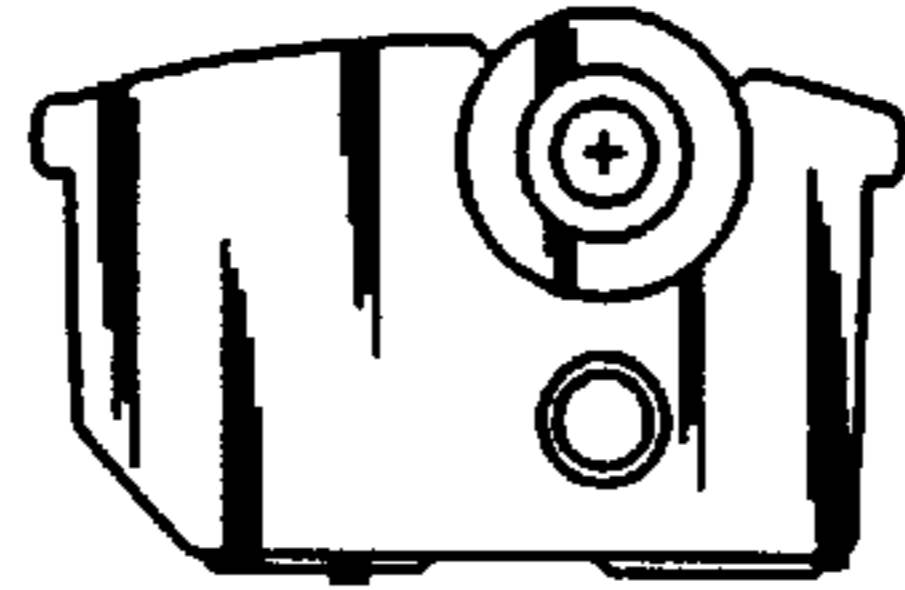


Figure 12

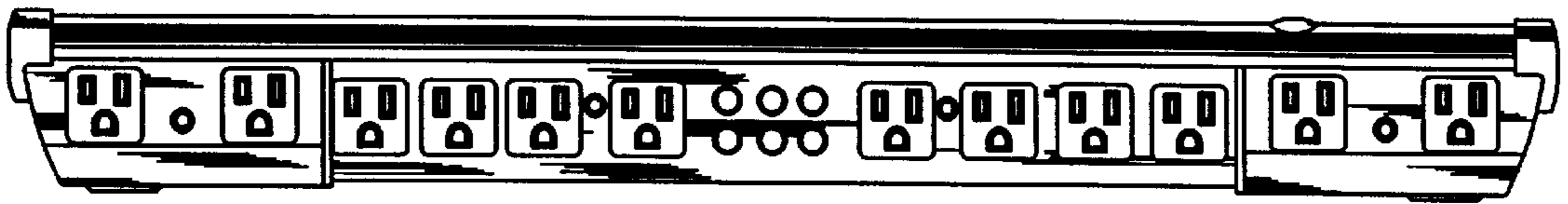


Figure 13

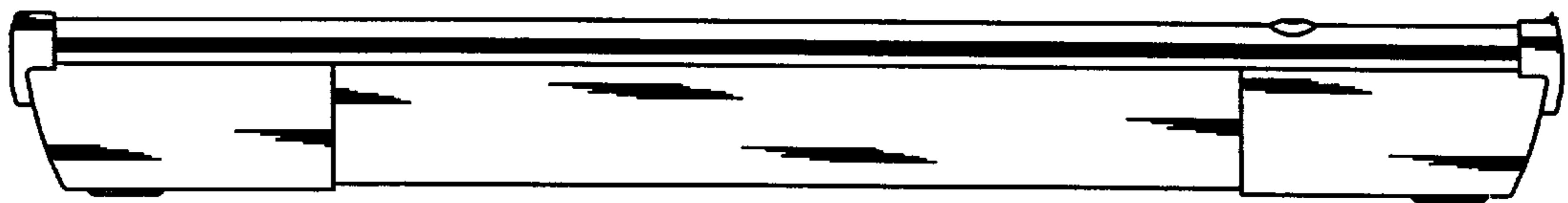


Figure 14

UNITED STATES PATENT AND TRADEMARK OFFICE
CERTIFICATE OF CORRECTION

PATENT NO. : Des 446,504 S
DATED : August 14, 2001
INVENTOR(S) : Kendrew Lee

Page 1 of 8

It is certified that error appears in the above-identified patent and that said Letters Patent is hereby corrected as shown below:

Title page,

Should be deleted and substitute therefore the attached Title page.

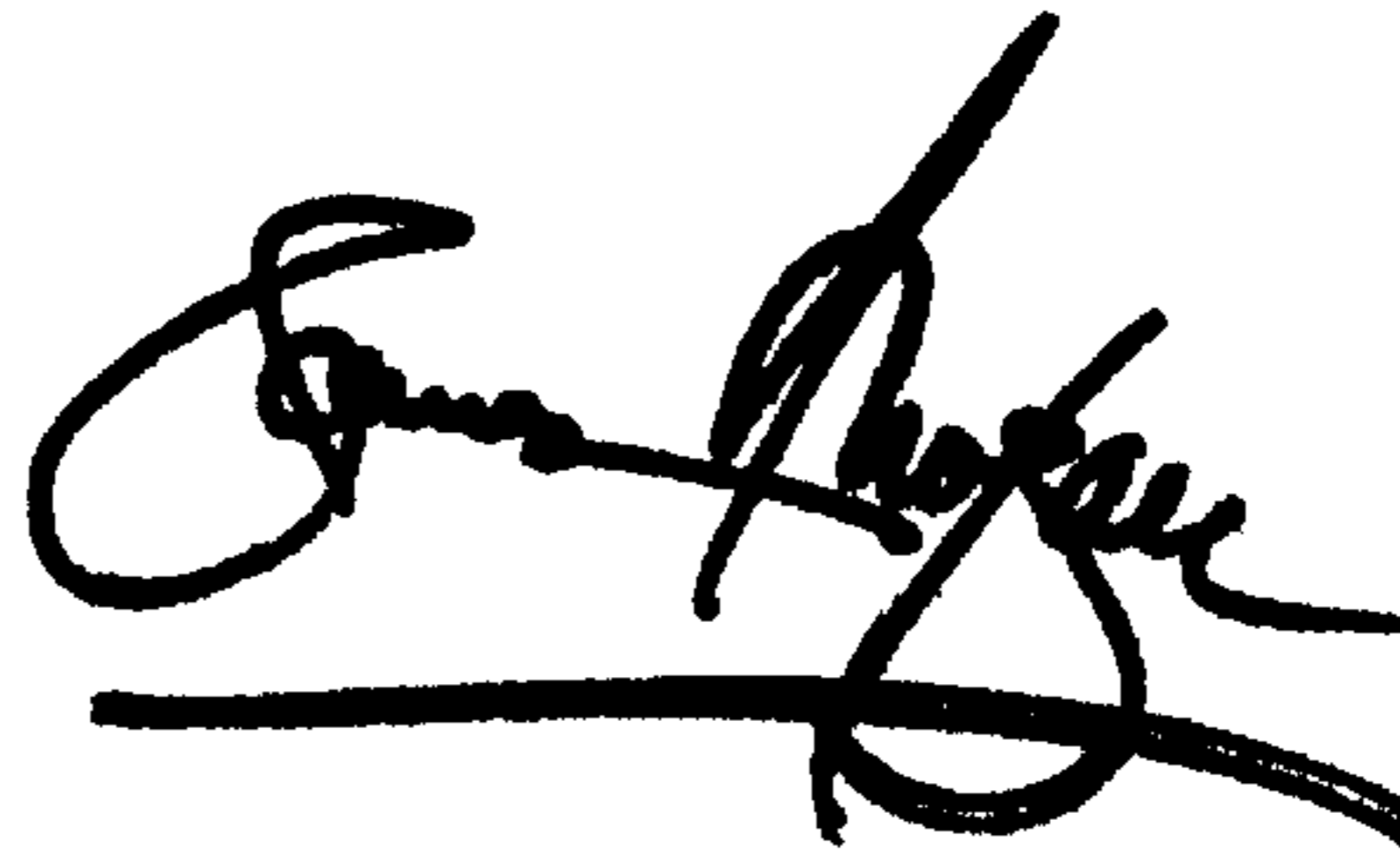
Drawings,

Delete Drawing Sheets 1-14, and substitute therefore the Drawing Sheets, consisting of FIGS. 1-14, as shown on the attached pages.

Signed and Sealed this

Sixteenth Day of July, 2002

Attest:

A handwritten signature in black ink, appearing to read "James E. Rogan", written over a horizontal line.

Attesting Officer

JAMES E. ROGAN
Director of the United States Patent and Trademark Office

(12) **United States Design Patent** (10) **Patent No.:** **US D446,504 S**
Lee (45) **Date of Patent:** **** Aug. 14, 2001**

(54) **POWERLINE CONDITIONER**

(75) **Inventor:** **Kendrew Lee, Fremont, CA (US)**

(73) **Assignee:** **Monster Cable Products, Inc.,
 Brisbane, CA (US)**

(**) **Term:** **14 Years**

(21) **Appl. No.:** **29/135,115**

(22) **Filed:** **Jan. 5, 2001**

(51) **LOC (7) Cl.** **13-03**

(52) **U.S. Cl.** **D13/139.8**

(58) **Field of Search** **D13/139.2, 139.6-139.8;
 439/107, 501, 502, 142, 650, 651, 652,
 653, 654, 954**

(56) **References Cited**

U.S. PATENT DOCUMENTS

- D. 306,012 * 2/1990 Oesterheld et al. D13/139.8
- D. 370,458 * 6/1996 Fladung et al. D13/139.8
- 5,899,761 * 5/1999 Crane et al. 429/142

* cited by examiner

Primary Examiner—Susan J. Lucas

Assistant Examiner—Jennifer Rivard

(74) *Attorney, Agent, or Firm*—LaRiviere, Grubman & Payne, LLP

(57) **CLAIM**

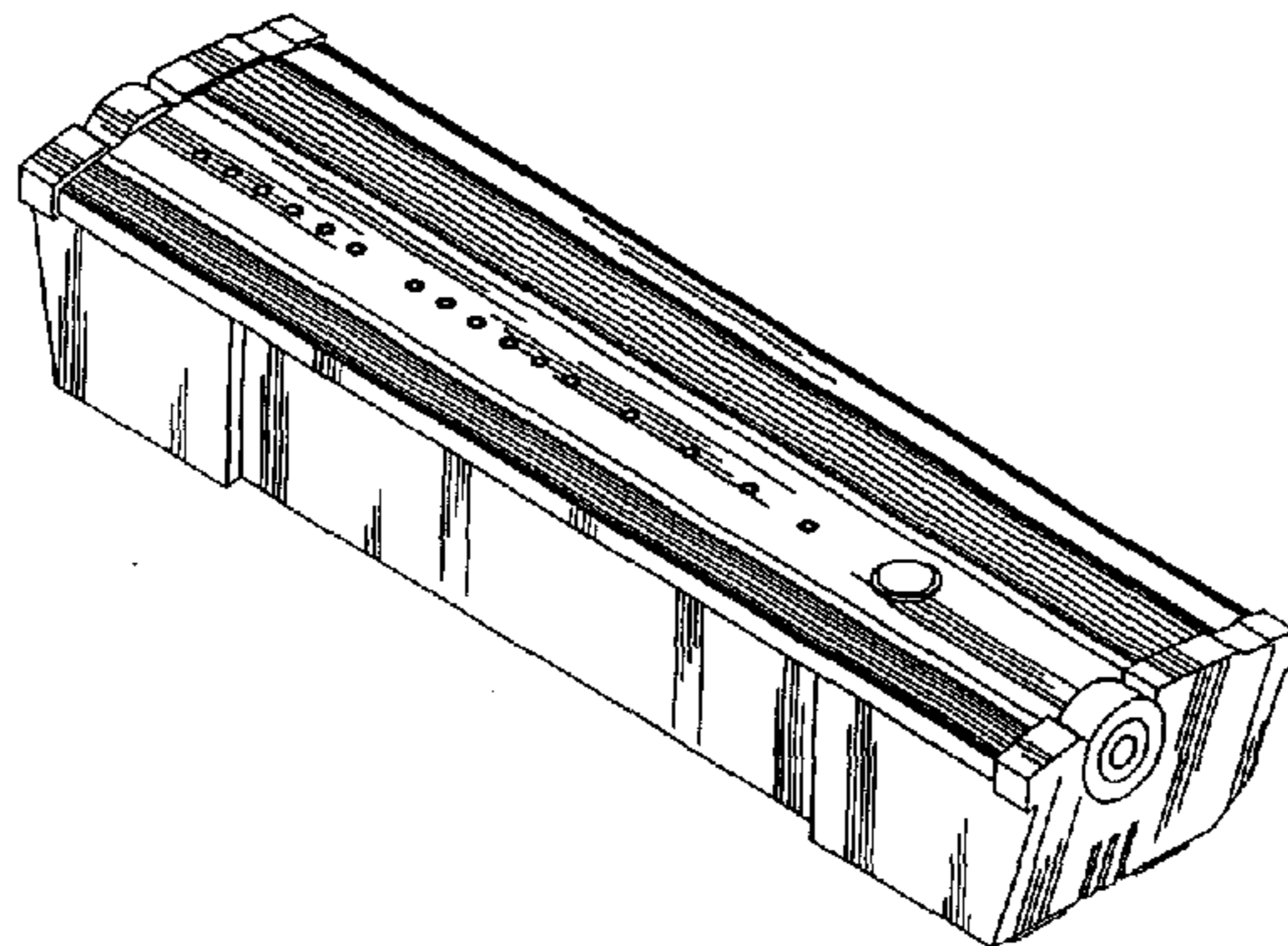
The ornamental design for a powerline conditioner, as shown and described.

DESCRIPTION

A portion of the disclosure of this patent document contains material which is subject to copyright protection. The copyright owner has no objection to the facsimile reproduction by anyone of the patent document or the patent disclosure, as it appears in the U.S. Patent and Trademark Office patent

files or records, but reserves all copyright rights whatsoever. FIG. 1 is a perspective view of a first embodiment of a powerline conditioner, in accordance with the present invention. FIG. 2 is a plan view of a first embodiment of a powerline conditioner, in accordance with the present invention. FIG. 3 is an underside view of a first embodiment of a powerline conditioner, in accordance with the present invention. FIG. 4 is a side view of a first embodiment of a powerline conditioner, in accordance with the present invention. FIG. 5 is a corresponding side view of a first embodiment of a powerline conditioner, in accordance with the present invention. FIG. 6 is a rear view of a first embodiment of a powerline conditioner, in accordance with the present invention. FIG. 7 is a frontal view of a first embodiment of a powerline conditioner, in accordance with the present invention. FIG. 8 is a perspective view of a second embodiment of a powerline conditioner, in accordance with the present invention. FIG. 9 is a plan view of a second embodiment of a powerline conditioner, in accordance with the present invention. FIG. 10 is an underside view of a second embodiment of a powerline conditioner, in accordance with the present invention. FIG. 11 is a side view of a second embodiment of a powerline conditioner, in accordance with the present invention. FIG. 12 is a corresponding side view of a second embodiment of a powerline conditioner, in accordance with the present invention. FIG. 13 is a rear view of a second embodiment of a powerline conditioner, in accordance with the present invention; and, FIG. 14 is a frontal view of a second embodiment of a powerline conditioner, in accordance with the present invention.

1 Claim, 6 Drawing Sheets

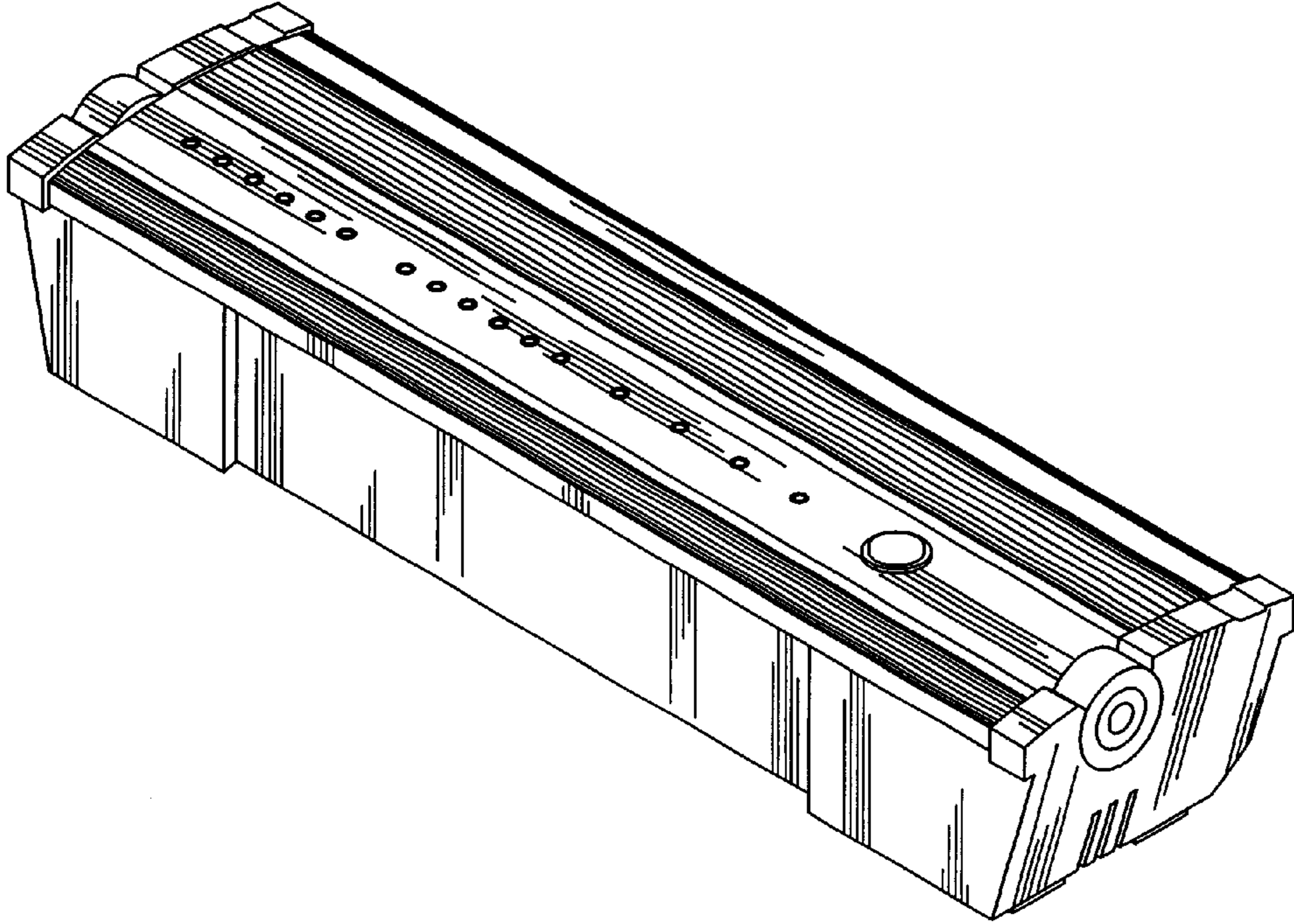


U.S. Patent

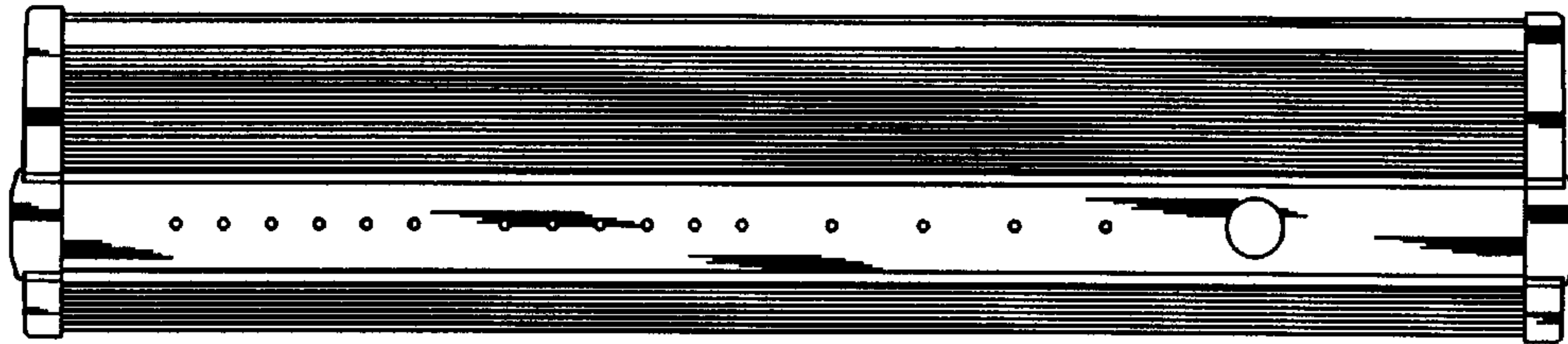
Aug. 14, 2001

Sheet 1 of 6

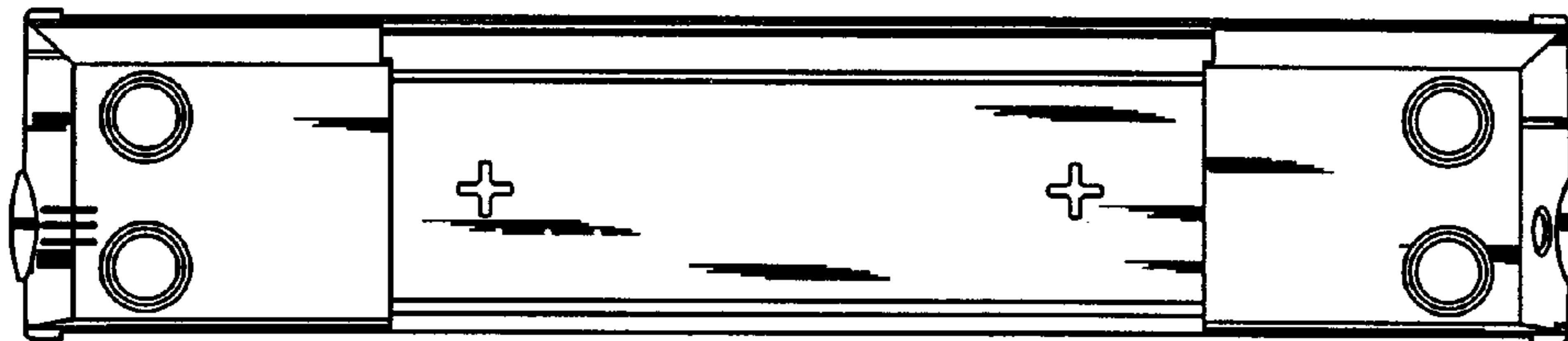
Des. 446,504 S



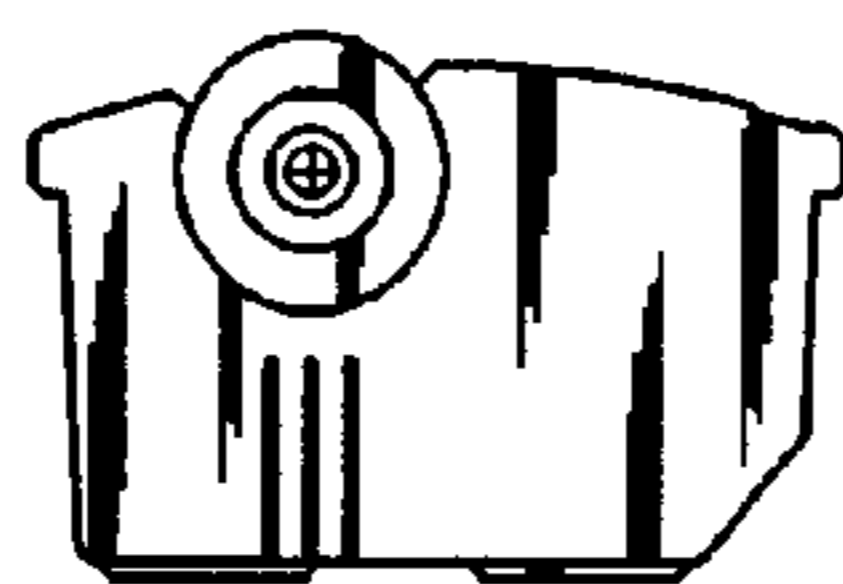
© 2001 MONSTER CABLE PRODUCTS, INC.



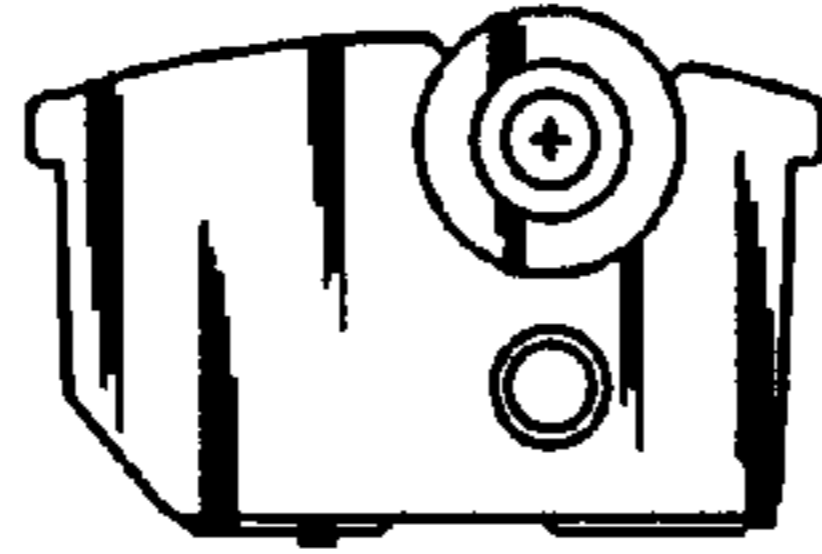
© 2001 MONSTER CABLE PRODUCTS, INC.
Figure 2



© 2001 MONSTER CABLE PRODUCTS, INC.
Figure 3

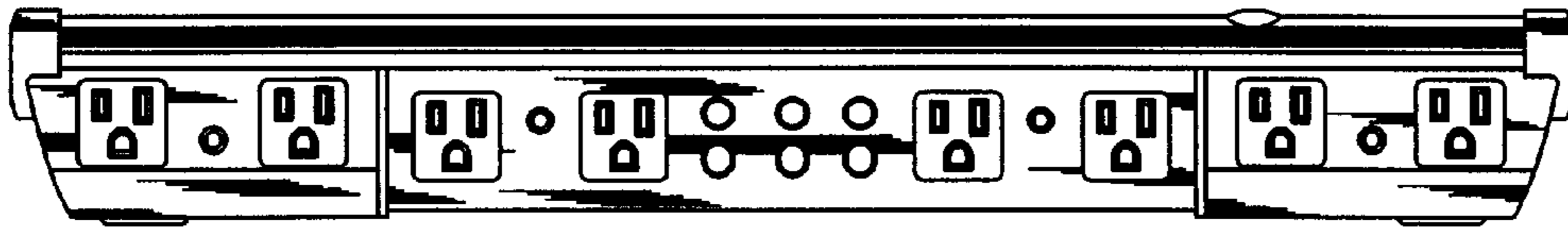


© 2001 MONSTER CABLE PRODUCTS, INC.
Figure 4



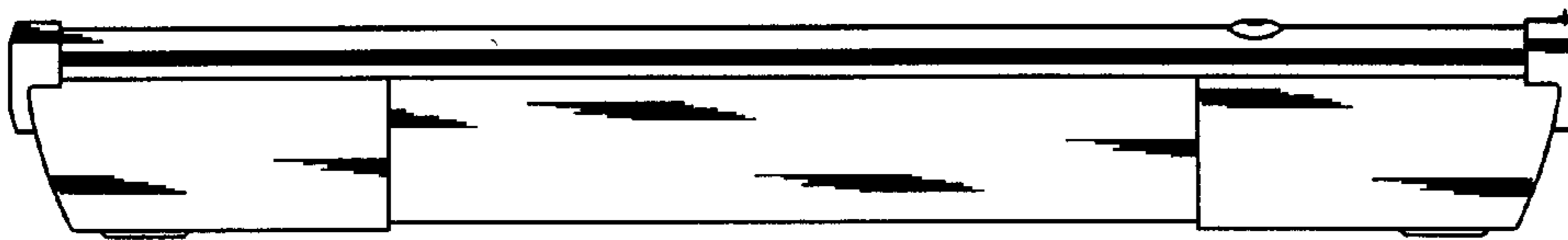
© 2001 MONSTER CABLE PRODUCTS, INC.

Figure 5



© 2001 MONSTER CABLE PRODUCTS, INC.

Figure 6



© 2001 MONSTER CABLE PRODUCTS, INC.

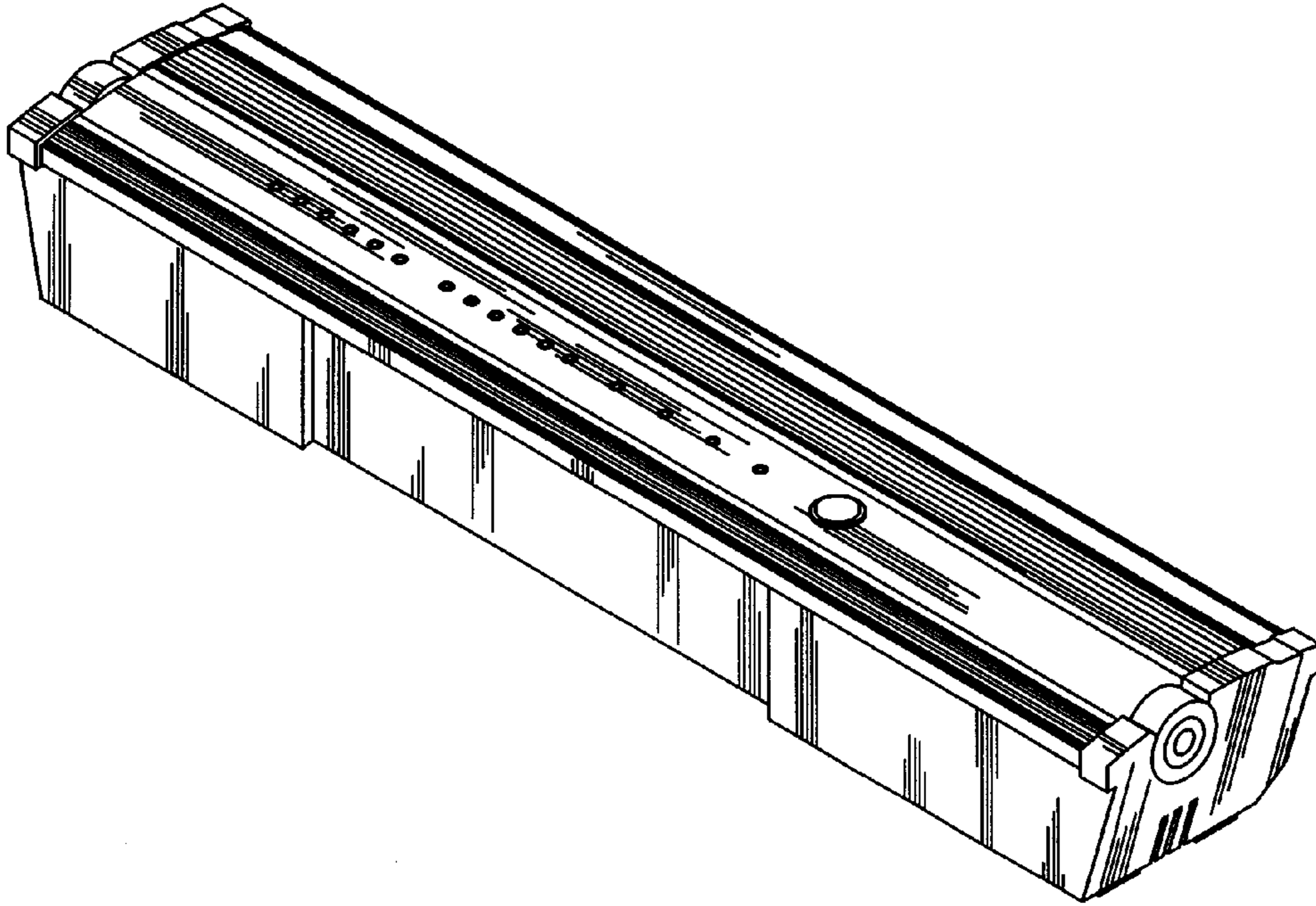
Figure 7

U.S. Patent

Aug. 14, 2001

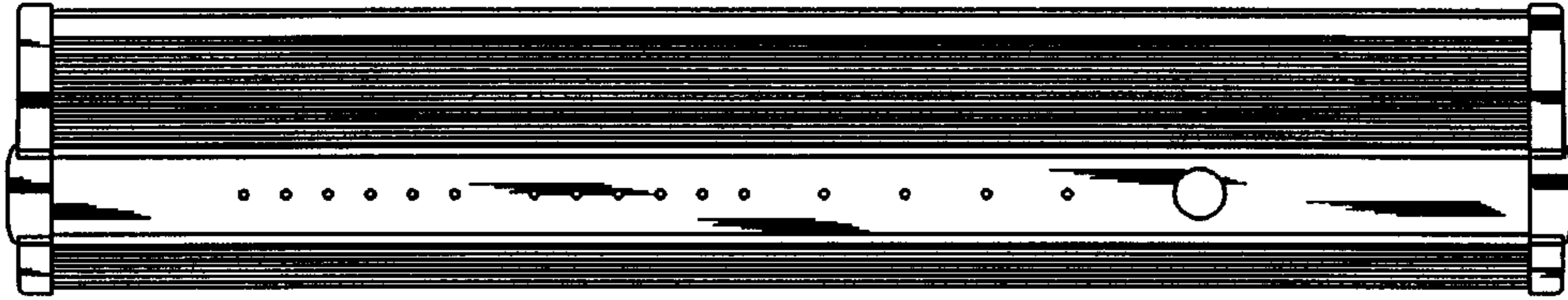
Sheet 4 of 6

Des. 446,504 S



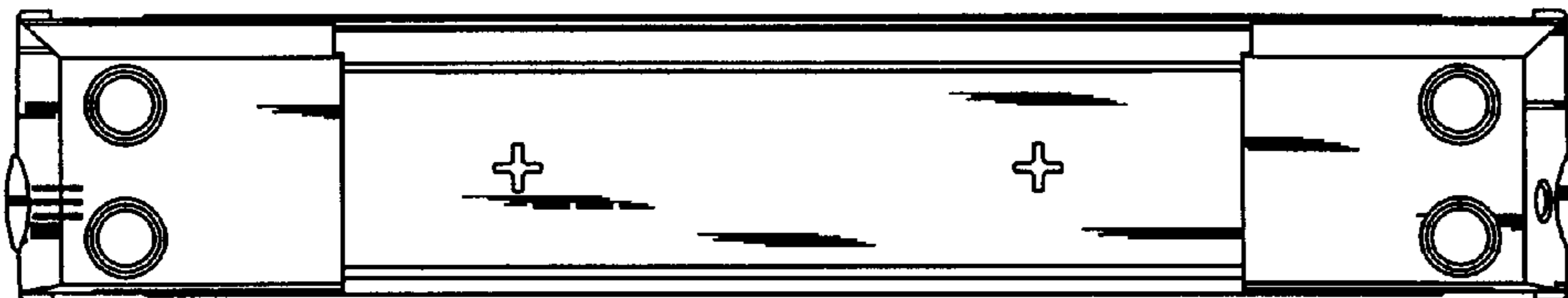
© 2001 MONSTER CABLE PRODUCTS, INC.

Figure 8



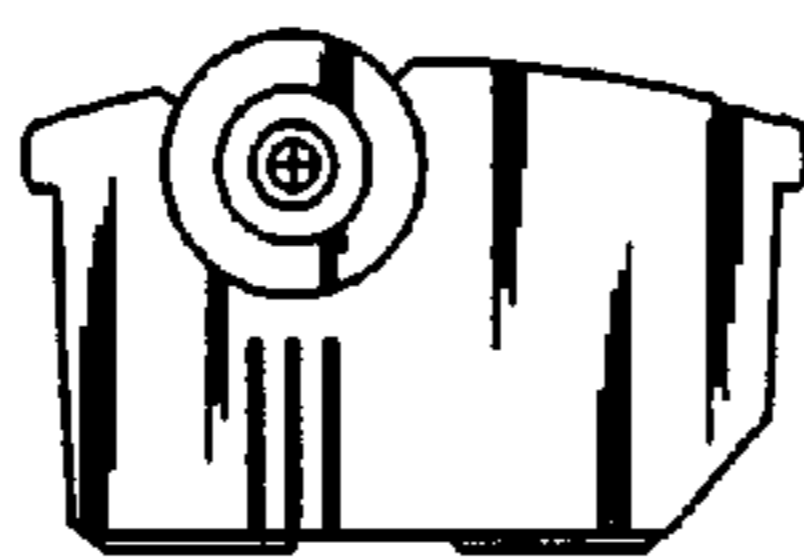
© 2001 MONSTER CABLE PRODUCTS, INC.

Figure 9



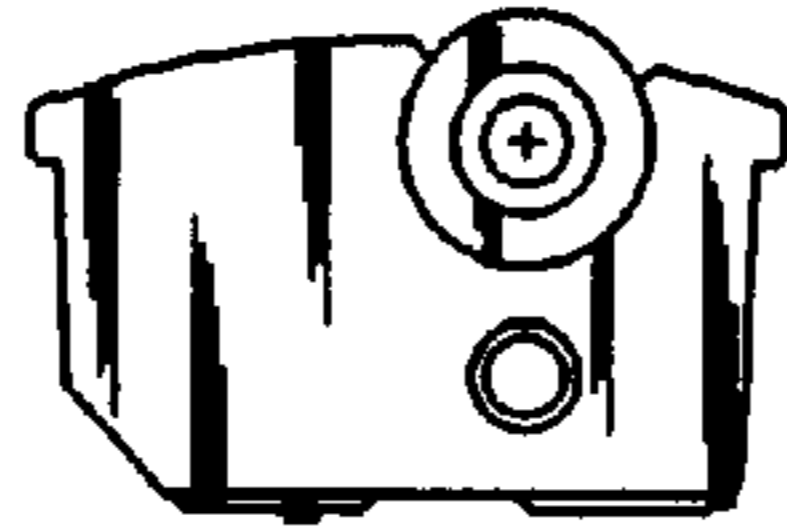
© 2001 MONSTER CABLE PRODUCTS, INC.

Figure 10



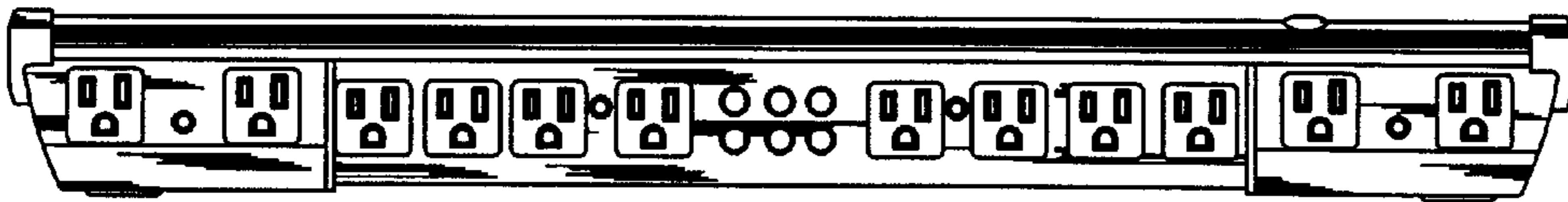
© 2001 MONSTER CABLE PRODUCTS, INC.

Figure 11



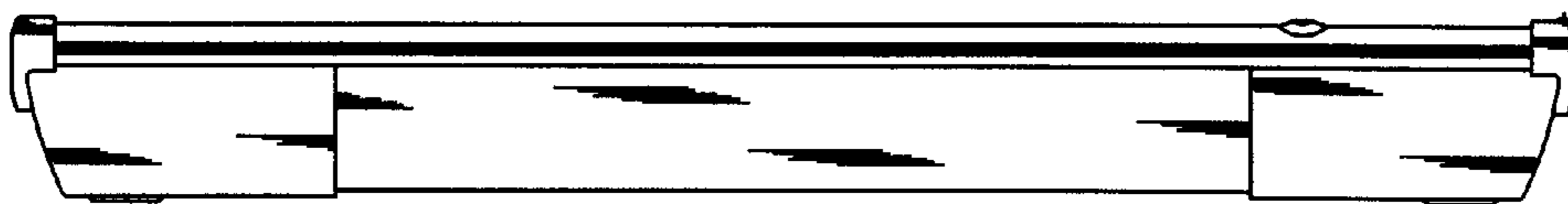
© 2001 MONSTER CABLE PRODUCTS, INC.

Figure 12



© 2001 MONSTER CABLE PRODUCTS, INC.

Figure 13



© 2001 MONSTER CABLE PRODUCTS, INC.

Figure 14