



US00D446502B1

(12) **United States Design Patent**
Wen

(10) **Patent No.:** **US D446,502 S**

(45) **Date of Patent:** **** Aug. 14, 2001**

(54) **CURRENT TAP WITH WIRE LOCKED
DEVICE AND MULTIPLE OUTLETS**

5,931,702 * 8/1999 Fladung 439/652

* cited by examiner

(75) Inventor: **Ho Hsien Wen**, Fremont, CA (US)

Primary Examiner—Susan J. Lucas

Assistant Examiner—Jennifer Rivard

(73) Assignee: **Apollo (A&J) Electrical Products
ASIA MFG., Corp.**, Fremont, CA (US)

(74) *Attorney, Agent, or Firm*—Pacific Law Group LLP;
Chi Ping Chang

(**) Term: **14 Years**

(57) **CLAIM**

(21) Appl. No.: **29/124,454**

The ornamental design for a current tap with wire locked
device and multiple outlets, as shown and described.

(22) Filed: **May 26, 2000**

DESCRIPTION

(51) **LOC (7) Cl.** **13-03**

(52) **U.S. Cl.** **D13/137.2**

(58) **Field of Search** D13/137.1, 137.2;
439/372, 451, 461, 462, 652, 654

FIG. 1 is a perspective view of a current tap with wire locked
device and multiple outlets;

FIG. 2 is a top plan view thereof;

FIG. 3 is a bottom plan view thereof;

FIG. 4 is a front elevation view thereof;

FIG. 5 is a rear elevation view thereof;

FIG. 6 is a right side elevation view thereof; and,

FIG. 7 is a left side elevation view thereof.

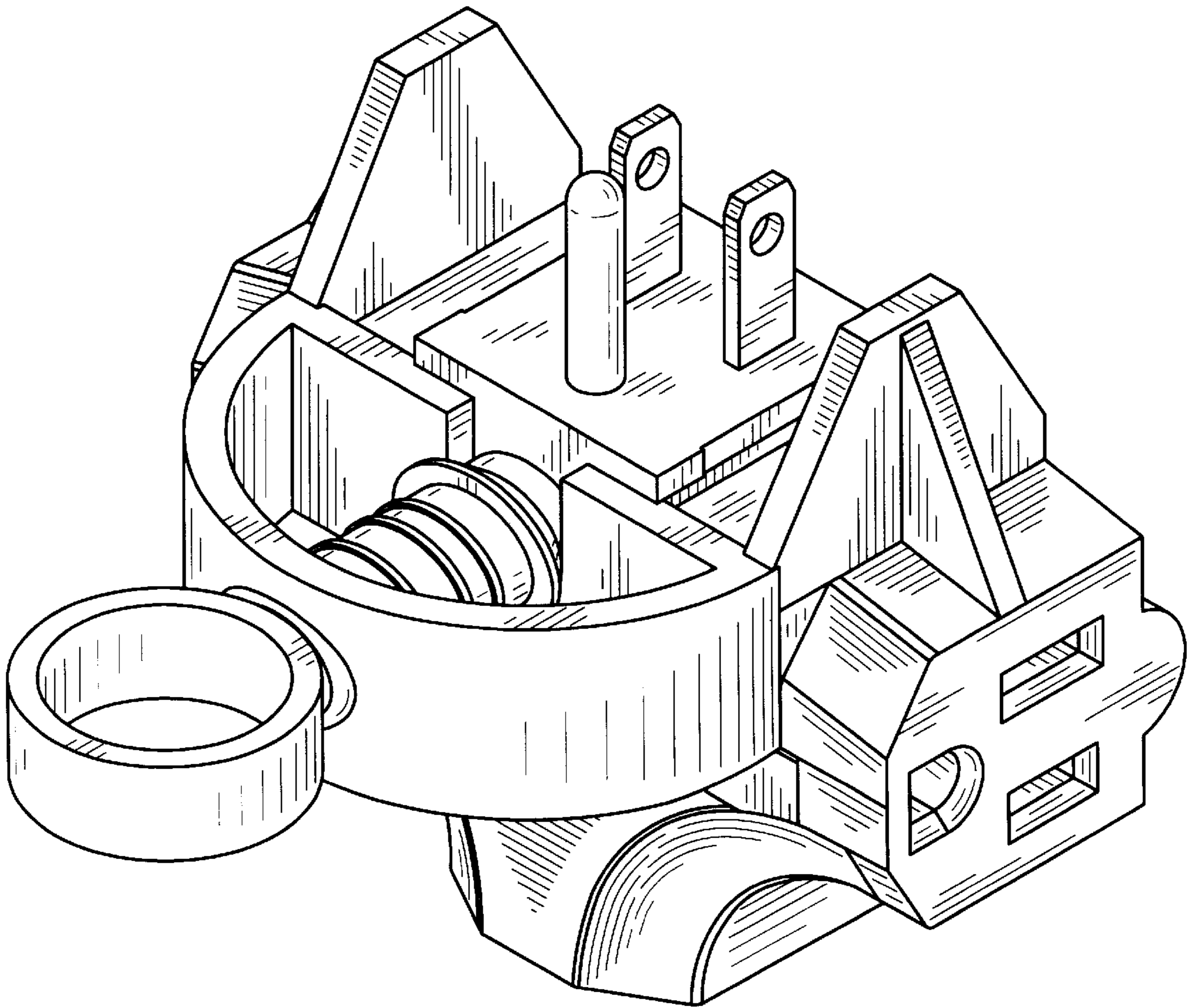
(56) **References Cited**

U.S. PATENT DOCUMENTS

D. 355,162 * 2/1995 Karman D13/137.1

5,816,860 * 10/1998 Blanche 439/652

1 Claim, 7 Drawing Sheets



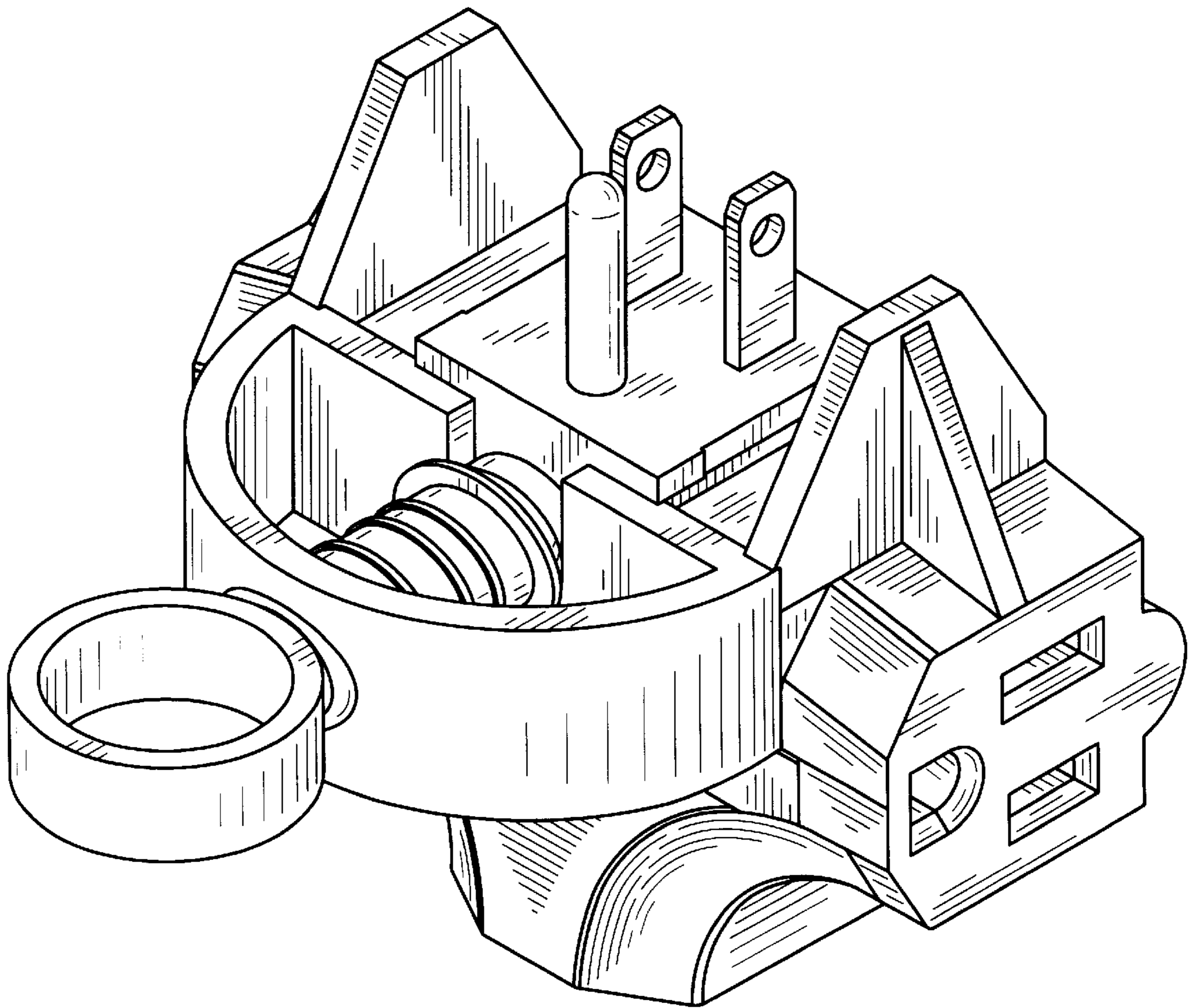


FIG. 1

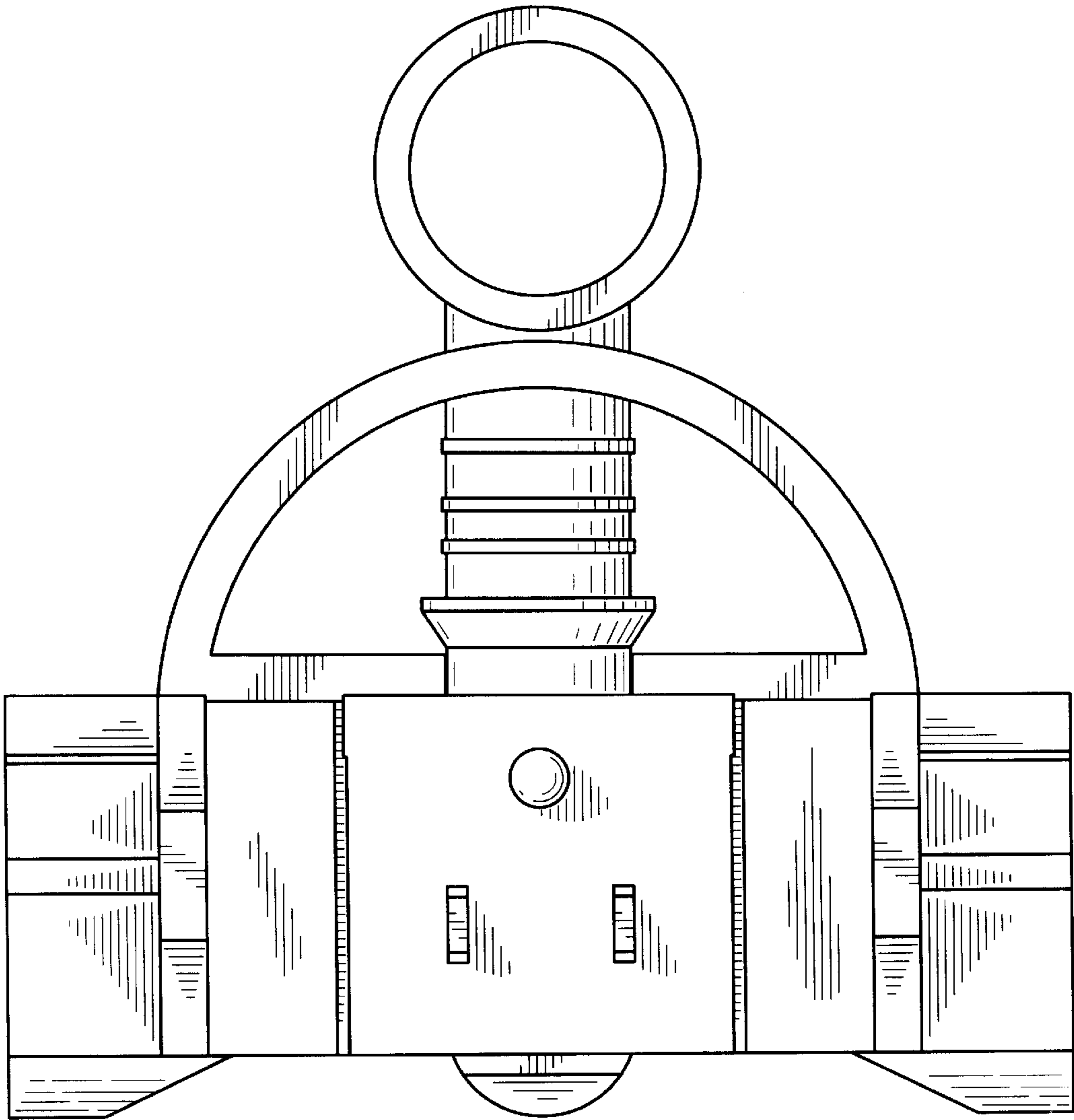


FIG. 2

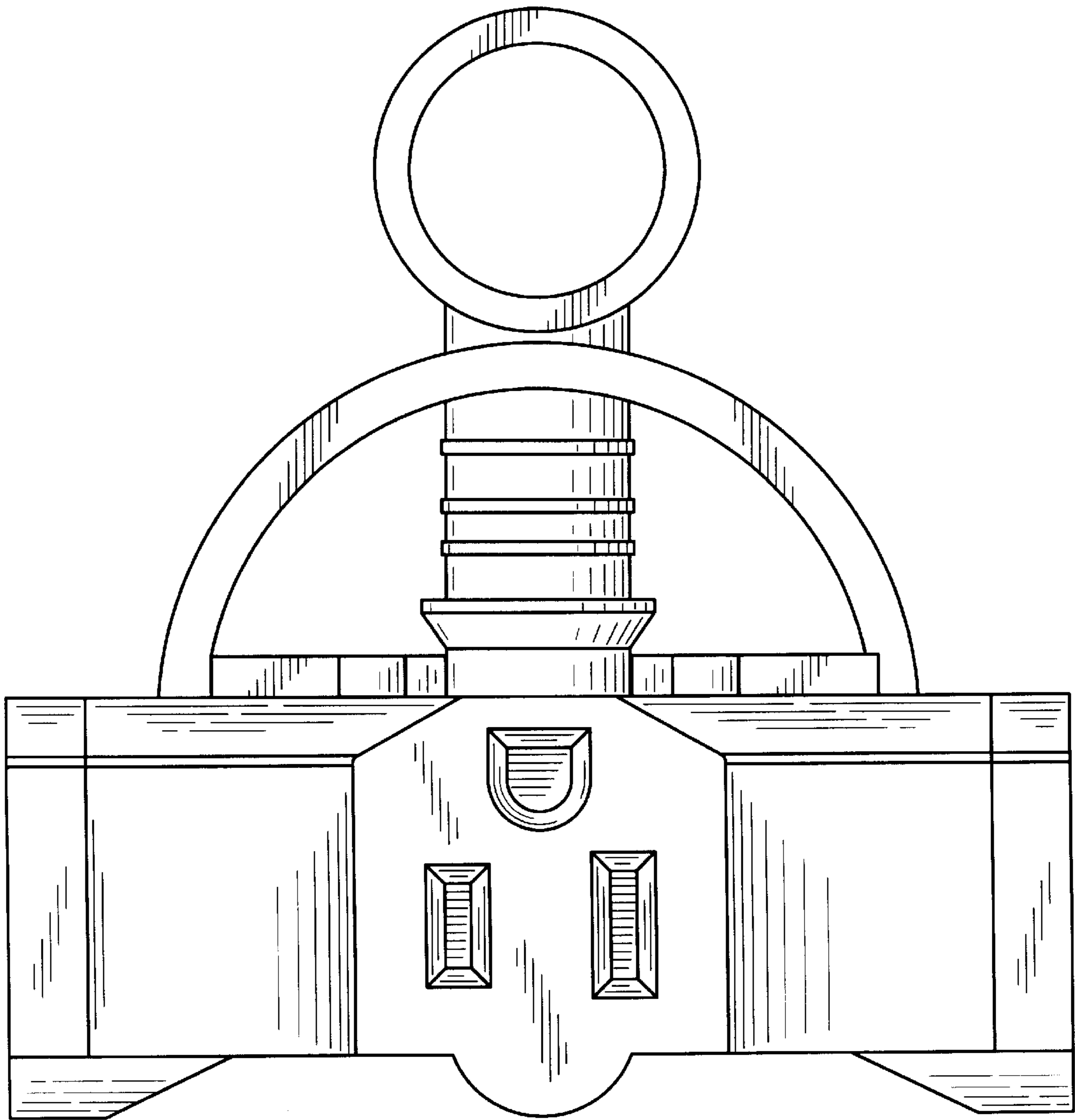


FIG. 3

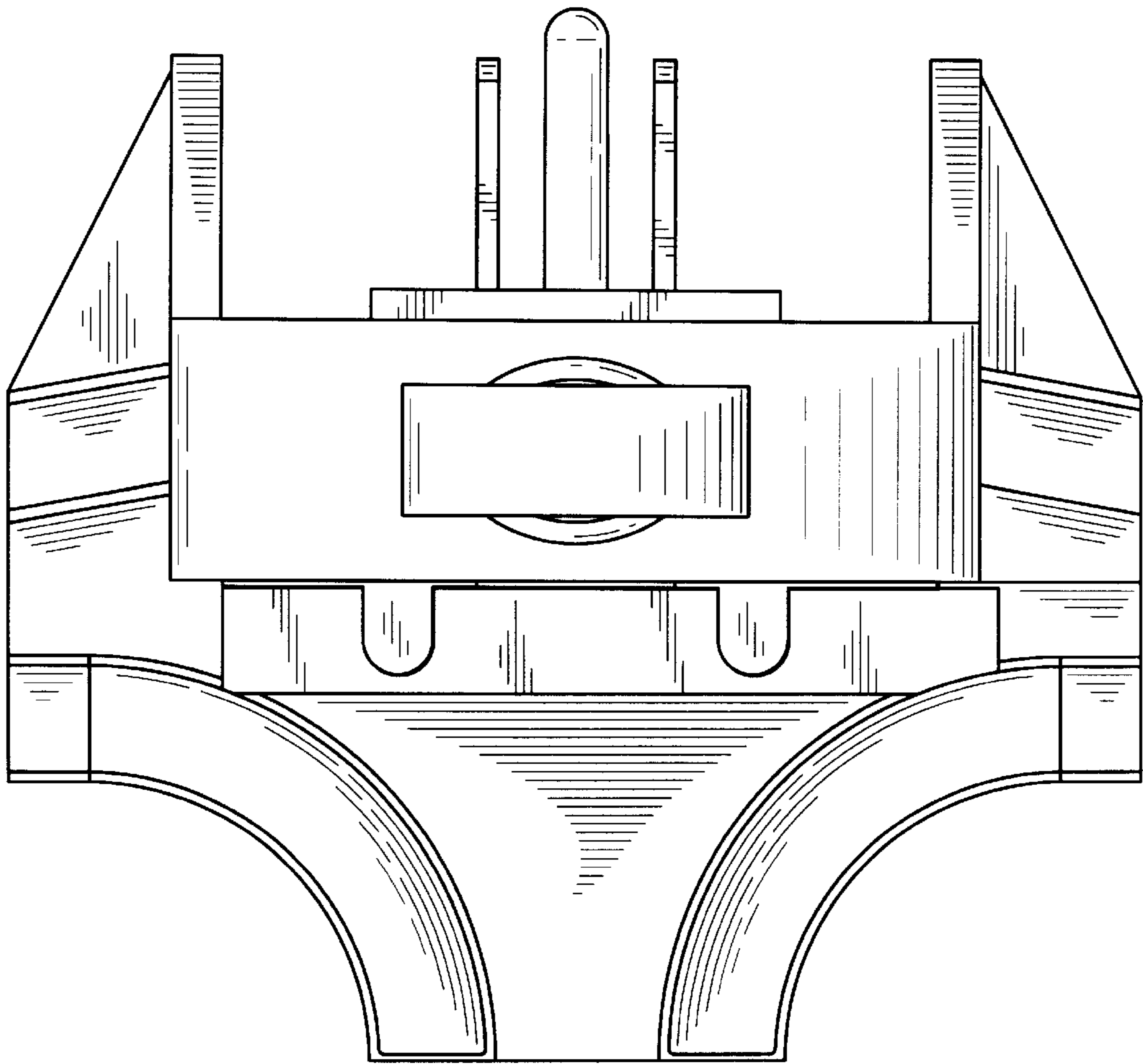


FIG. 4

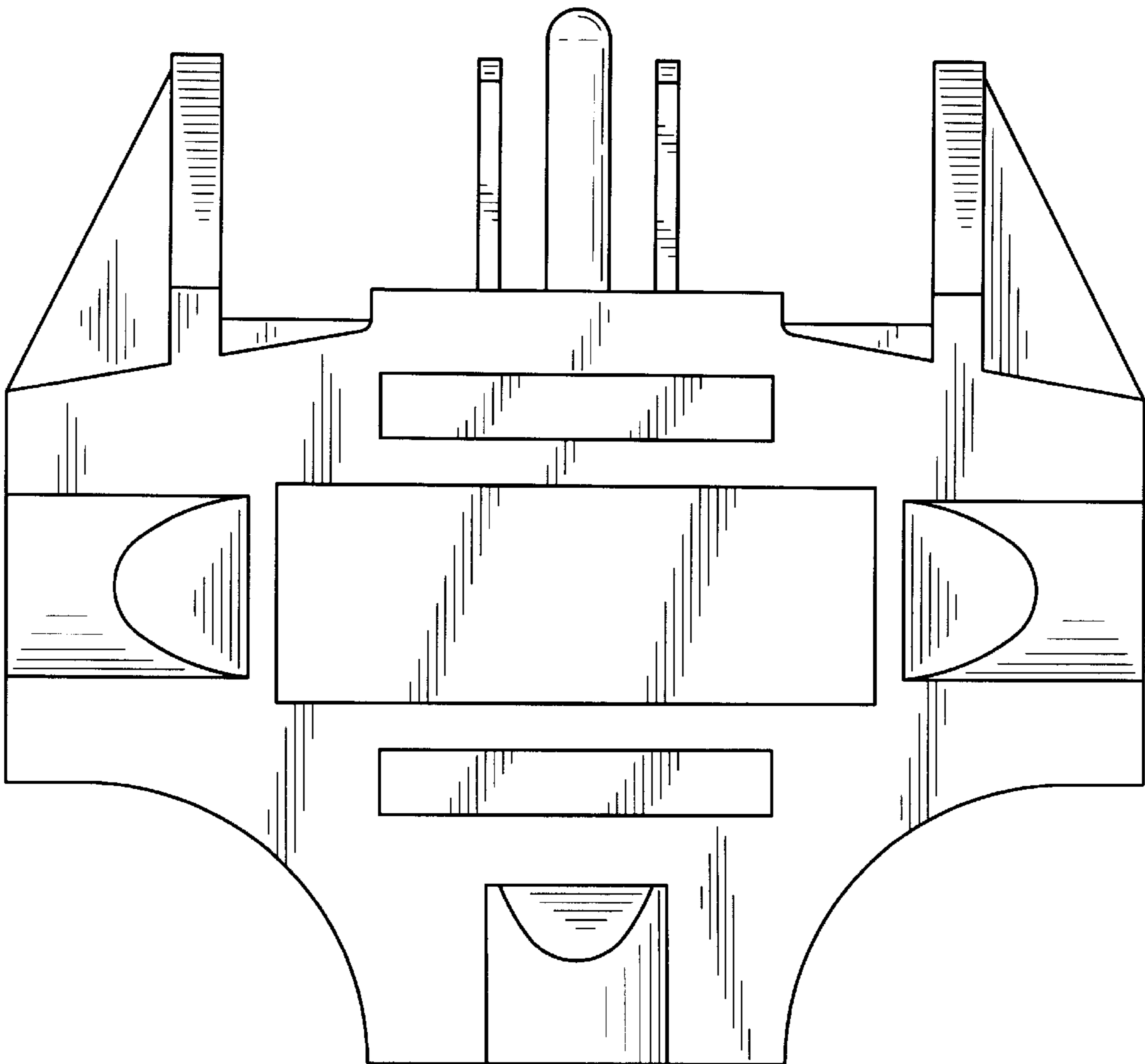


FIG. 5

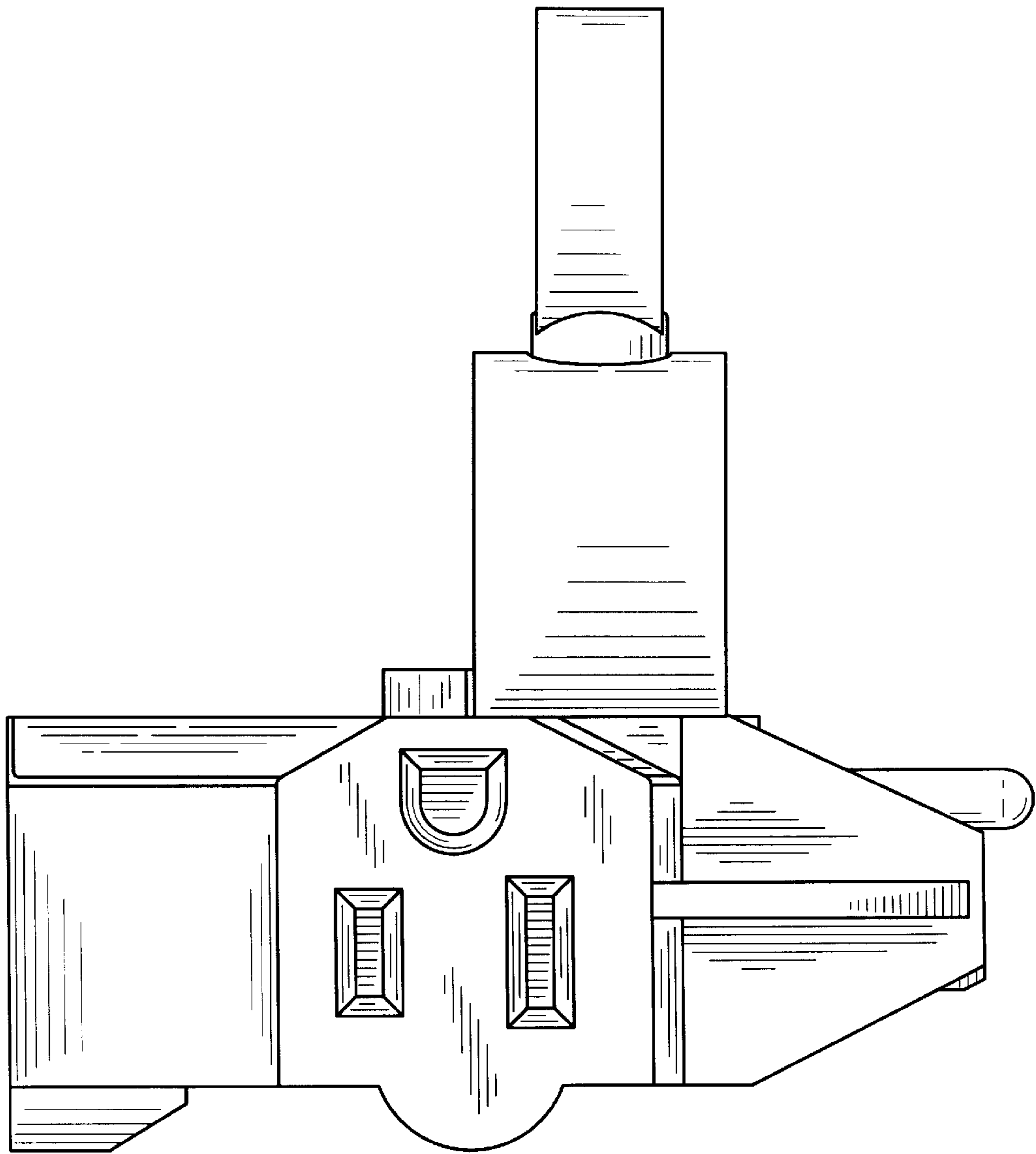


FIG. 6

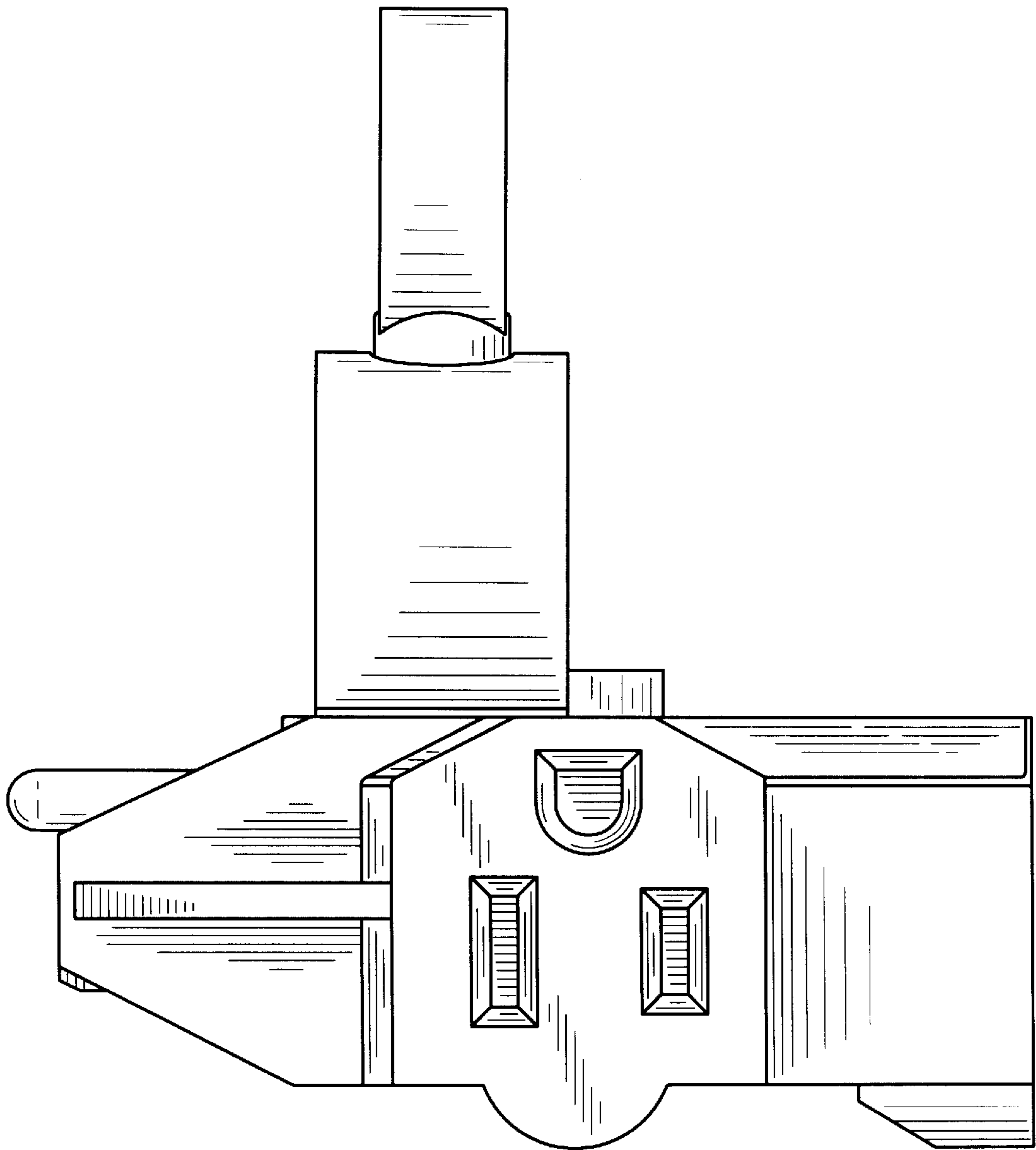


FIG. 7