



US00D446501B1

(12) **United States Design Patent**
Donnell et al.

(10) **Patent No.:** **US D446,501 S**

(45) **Date of Patent:** **** Aug. 14, 2001**

(54) **FIBER OPTIC TRANSCEIVER**

(75) Inventors: **Mark Donnell**, Orland Park; **Royal O. Jenner**; **John M. Connelly**, both of Tinley Park, all of IL (US)

(73) Assignee: **Panduit Corp.**, Tinley Park, IL (US)

(**) Term: **14 Years**

(21) Appl. No.: **29/118,265**

(22) Filed: **Feb. 7, 2000**

(51) **LOC (7) Cl.** **13-03**

(52) **U.S. Cl.** **D13/133; D13/123; D13/154**

(58) **Field of Search** **D13/123, 133, D13/154, 147; 385/51, 53, 55, 58, 59, 60, 71, 76, 77, 78, 88, 92, 136, 139; 359/152**

(56) **References Cited**

U.S. PATENT DOCUMENTS

D. 253,409	11/1979	Voelkert .	
D. 293,313	12/1987	Justiano et al. .	
D. 389,123	1/1998	Vernon .	
D. 389,802	1/1998	Vernon .	
4,878,858	11/1989	Dechelette .	
5,083,945	1/1992	Miskin et al. .	
5,117,476	* 5/1992	Yingst et al.	385/88
5,199,093	* 3/1993	Longhurst	385/88
5,293,581	* 3/1994	DiMarco	385/76
5,329,604	* 7/1994	Baldwin et al.	385/92
5,528,408	* 6/1996	McGinley et al.	359/152

5,692,080	* 11/1997	Lu	385/60
5,748,821	* 5/1998	Schempp et al.	385/76
5,913,002	* 6/1999	Jiang	385/88
5,953,473	9/1999	Shimotsu et al. .	
5,971,626	* 10/1999	Knodell et al.	385/60

* cited by examiner

Primary Examiner—Joel Sincavage

(74) *Attorney, Agent, or Firm*—Robert A. McCann

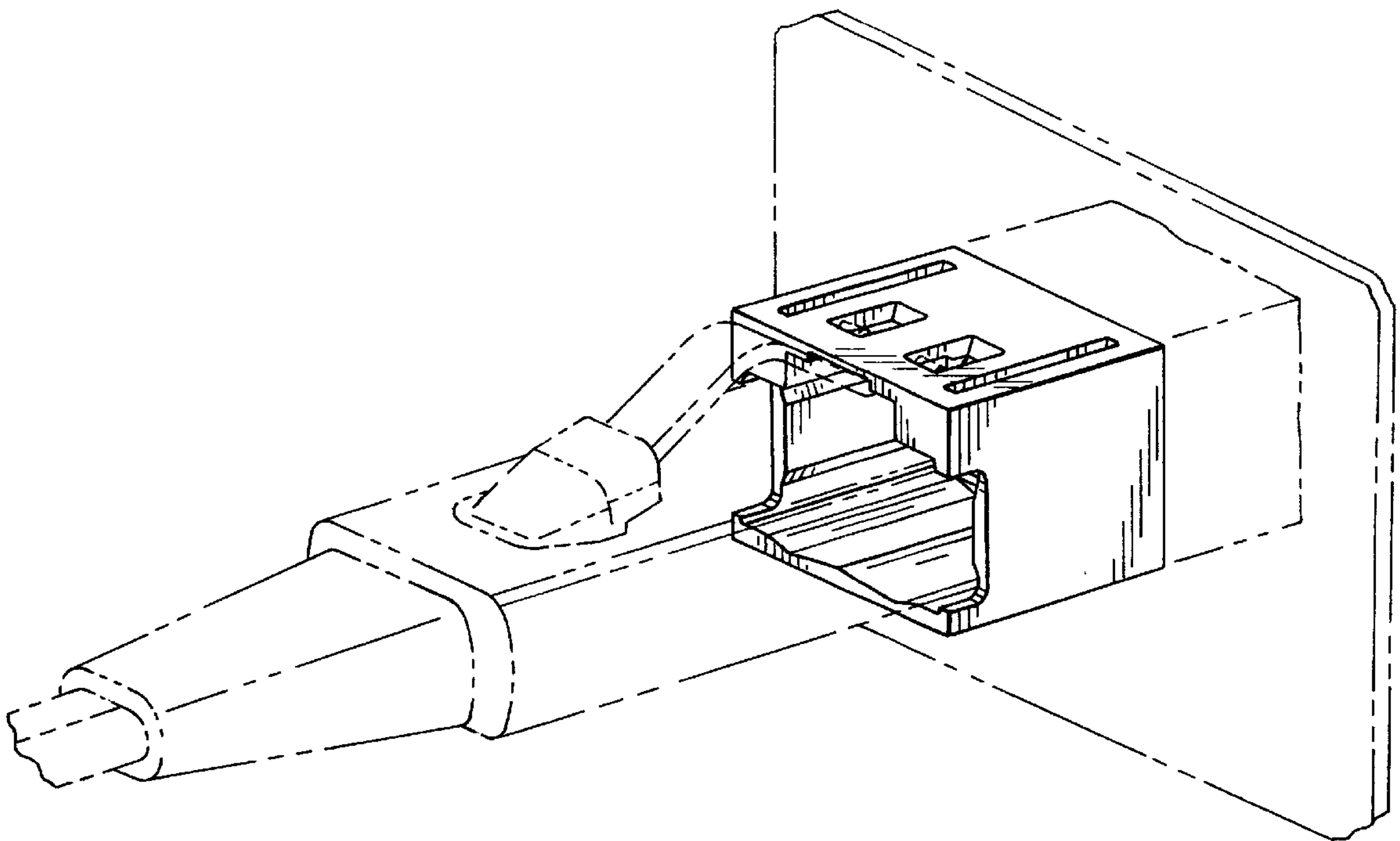
(57) **CLAIM**

The ornamental design for a fiber optic transceiver, as shown and described.

DESCRIPTION

FIG. 1 is a front top perspective view of a fiber optic transceiver showing our new design;
 FIG. 2 is a rear top perspective view thereof;
 FIG. 3 is a front bottom perspective view thereof;
 FIG. 4 is a front elevational view thereof;
 FIG. 5 is a rear elevational view thereof;
 FIG. 6 is a left side elevational view thereof, the opposite side view being a mirror image;
 FIG. 7 is a top plan view thereof; and
 FIG. 8 is a bottom plan view thereof; and,
 FIG. 9 is a perspective view of the transceiver shown mounted on a board and engaged by a corresponding plug, which are shown in broken lines for illustrative purposes only and form no part of the claimed design.

1 Claim, 3 Drawing Sheets



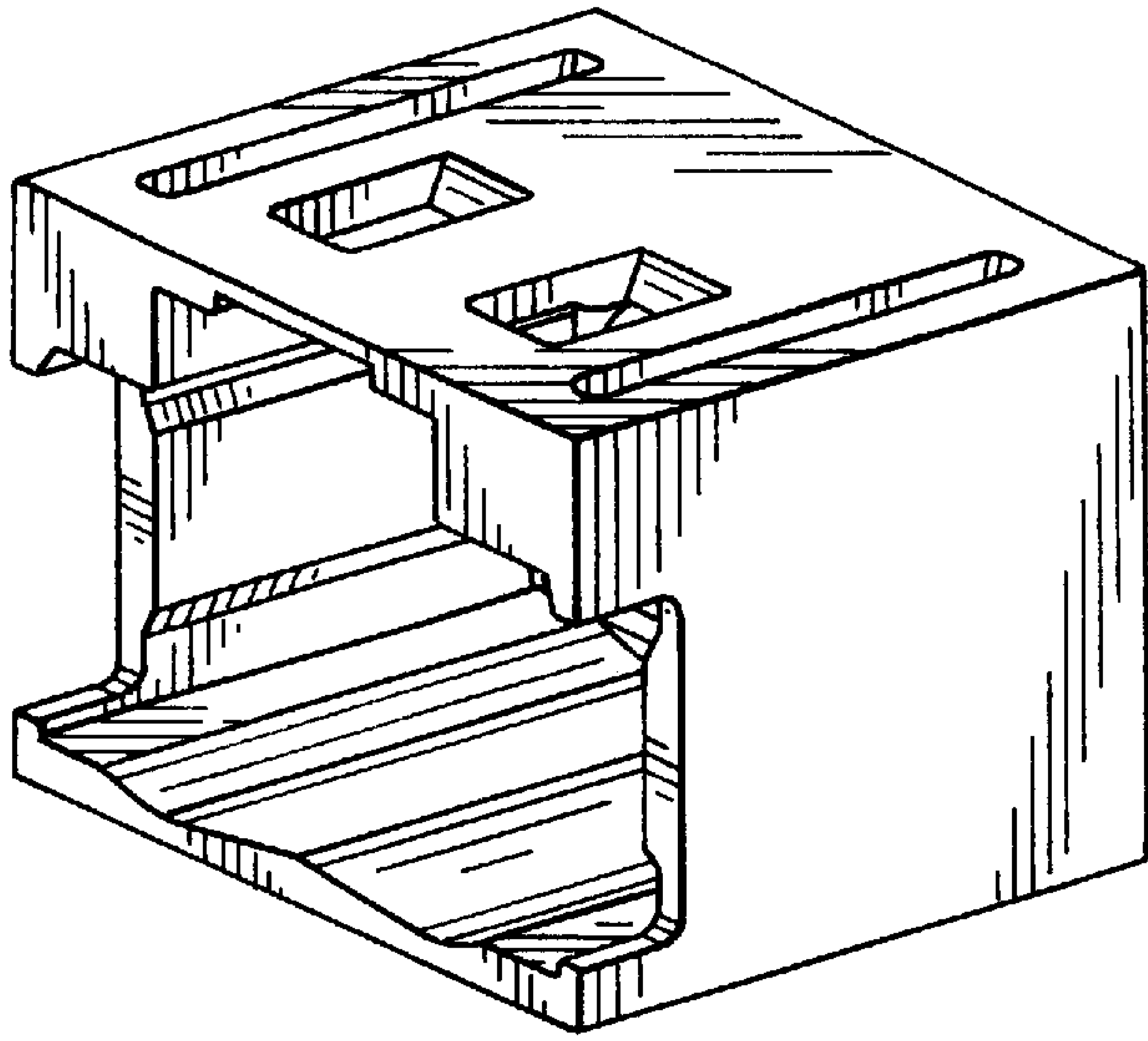


FIG. 1

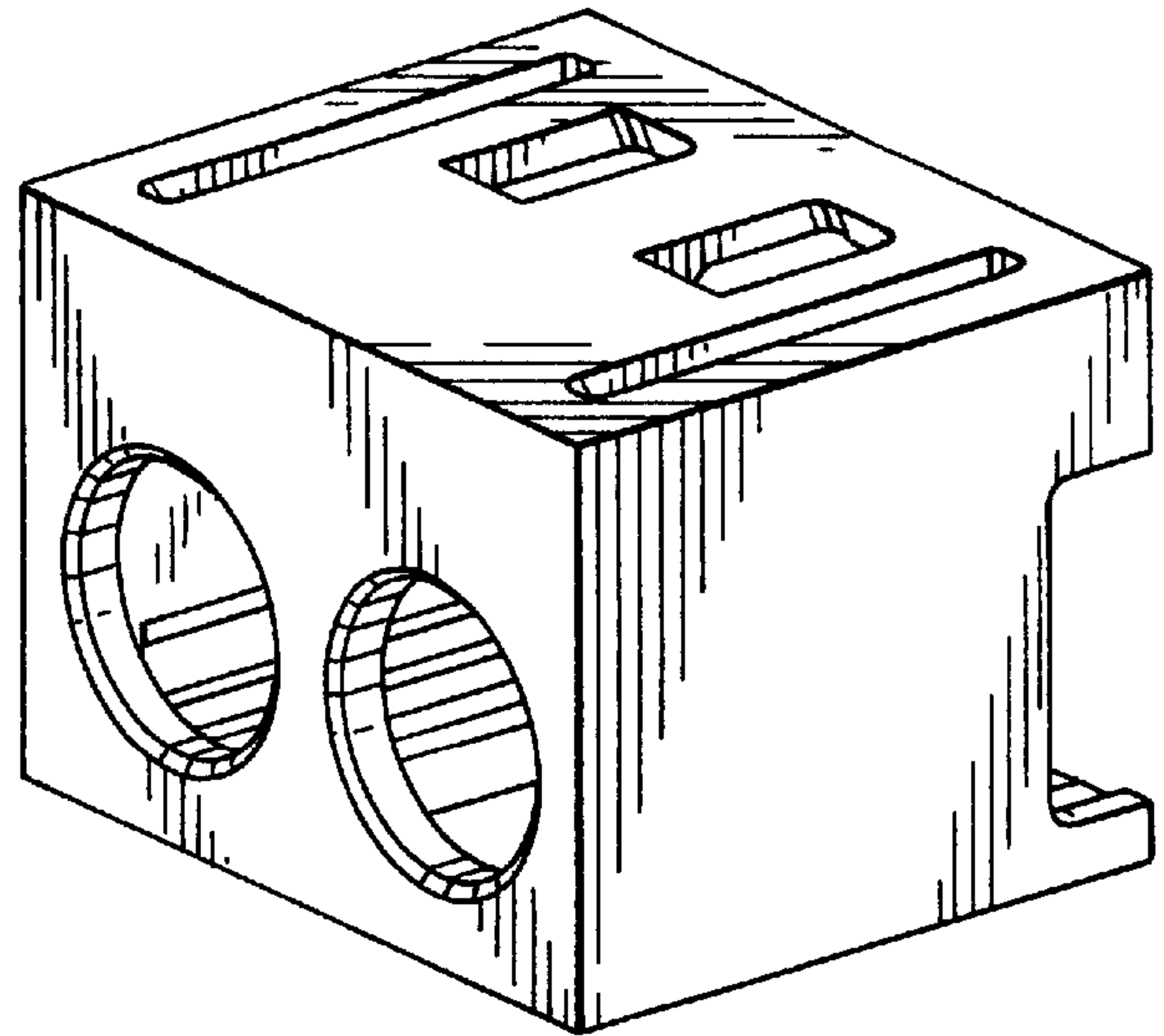


FIG. 2

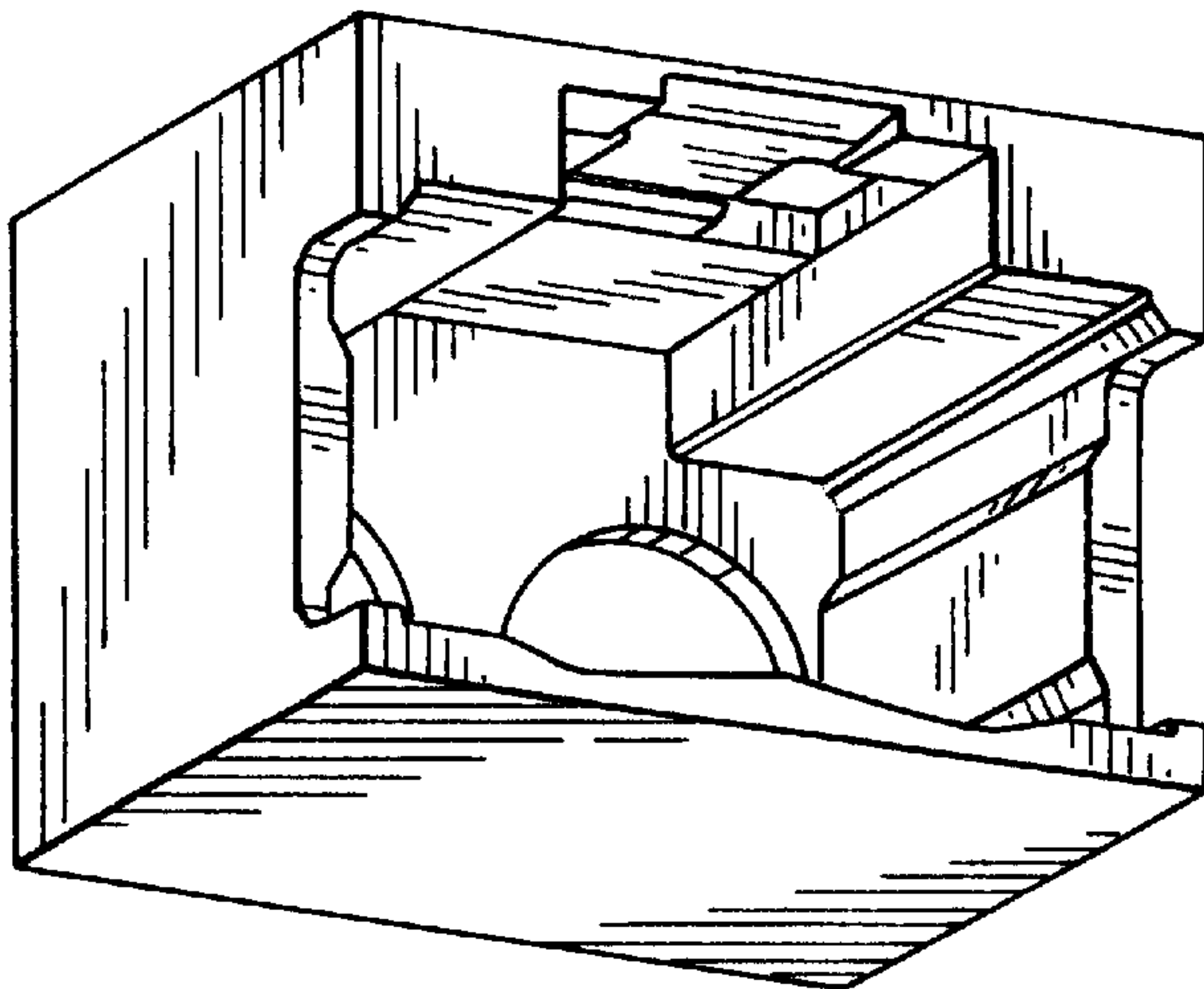


FIG. 3

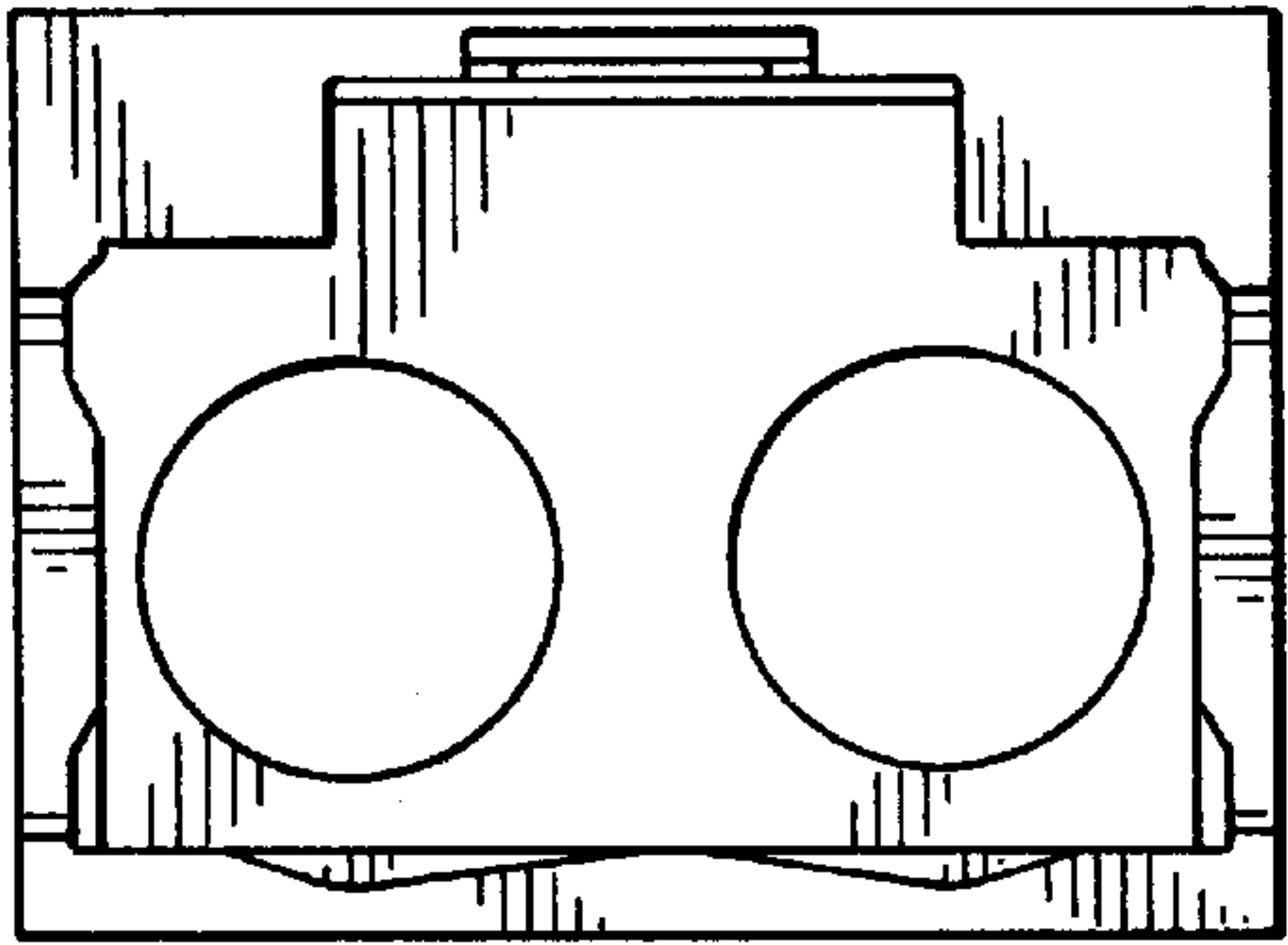


FIG. 4

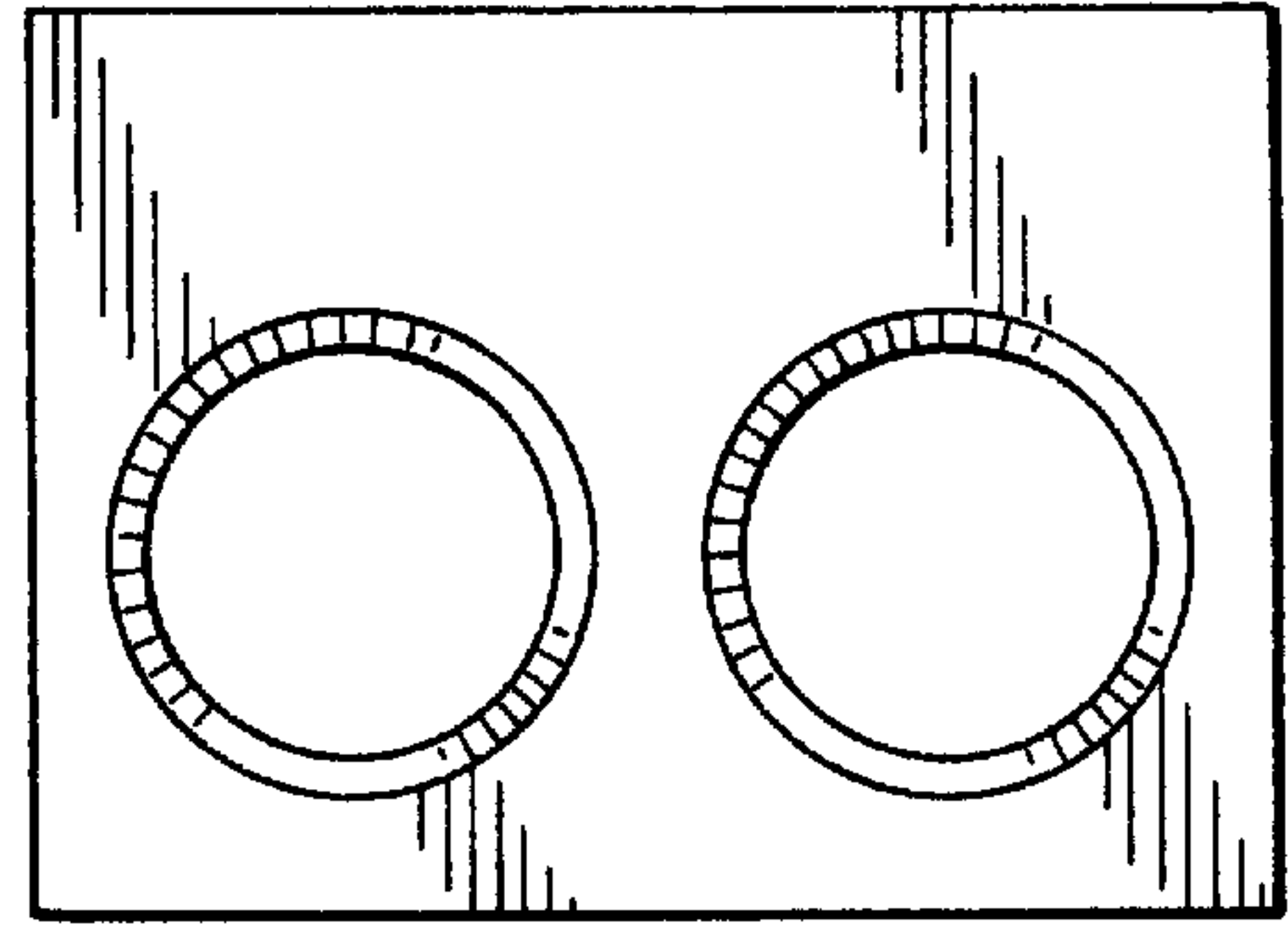


FIG. 5

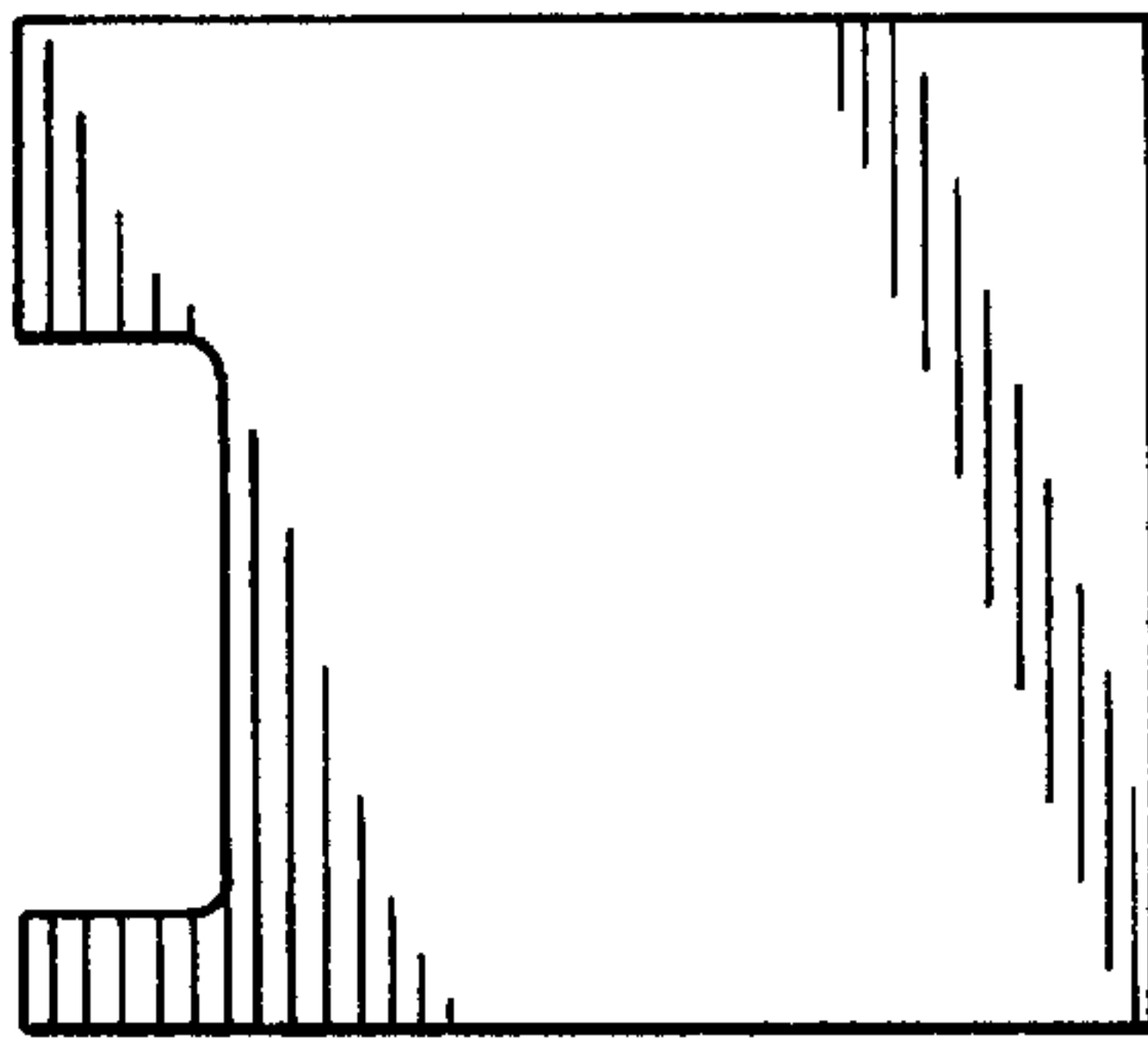


FIG. 6

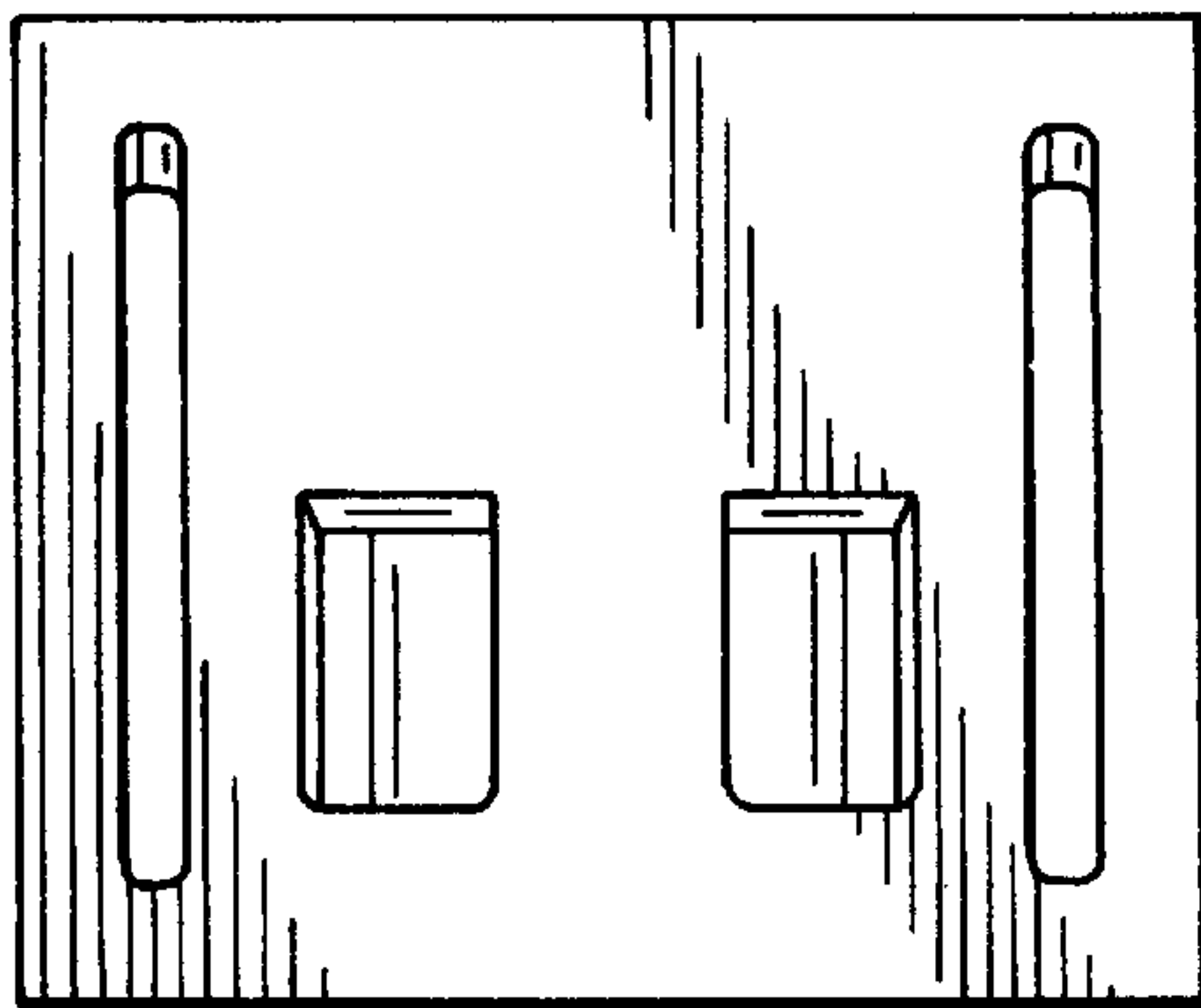


FIG. 7

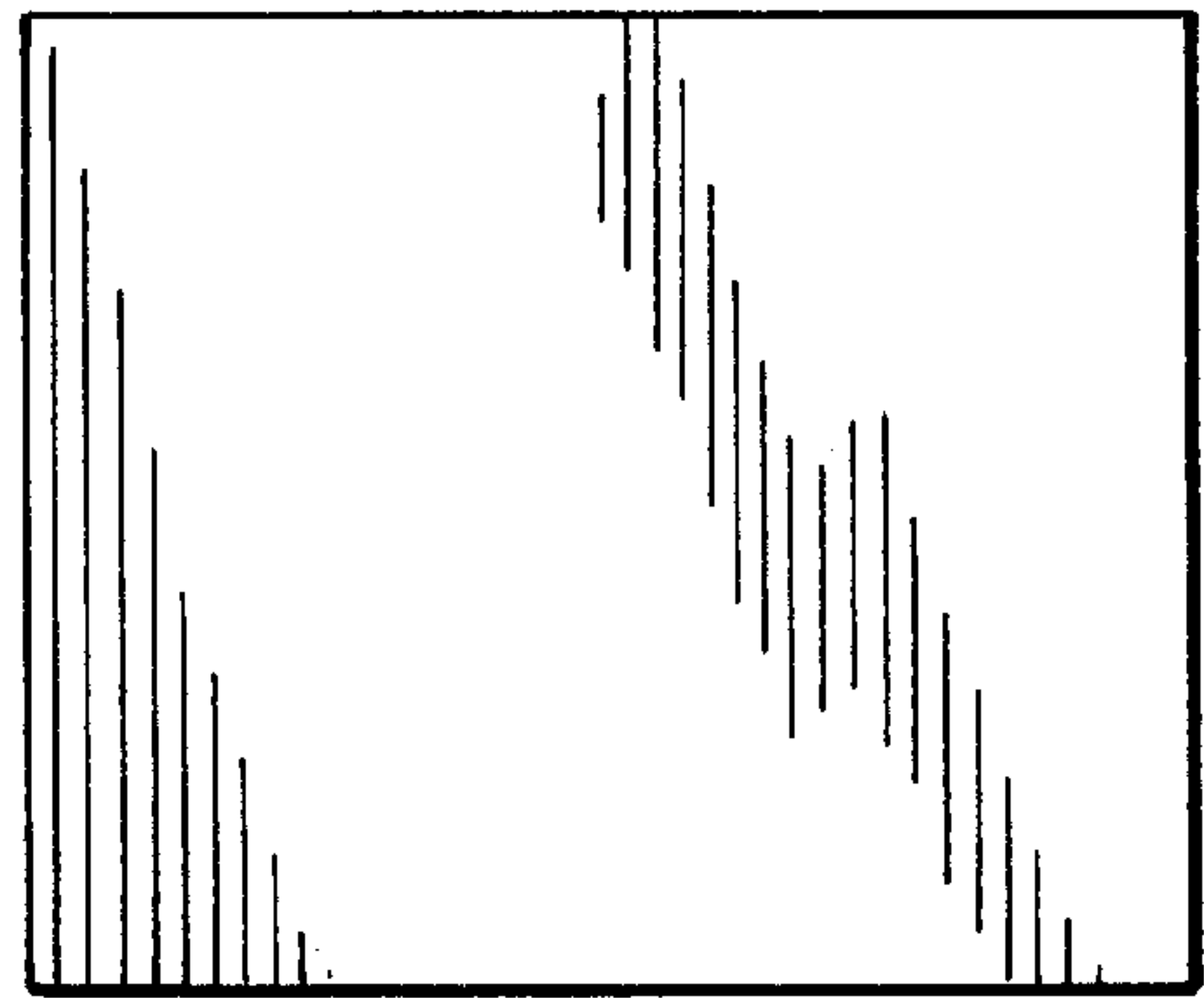


FIG. 8

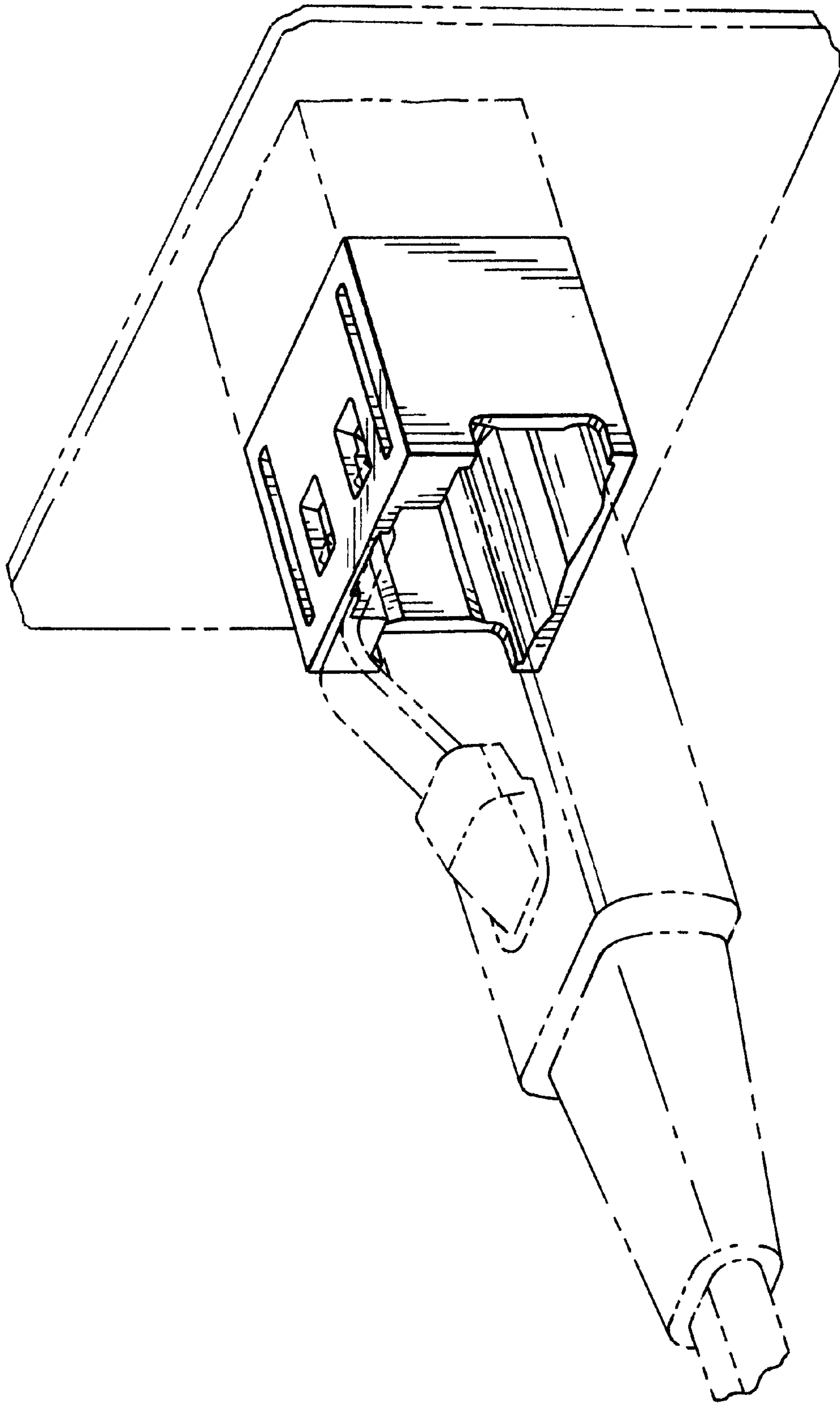


FIG. 9